

2002 JEEP WRANGLER (TJ)

PARTS CATALOG

ILLUSTRATION AND TEXT
(CHASSIS - BODY - TRIM)

March 2004

SUPERSEDES
July 2003
ENGLISH



Jeep

CHRYSLER • PLYMOUTH • DODGE • JEEP

THE MOPAR DIFFERENCE

INDEX TO INFORMATION PAGES

The use of this Parts Catalog and the arrangement of information herein is explained in the General Information Section as indexed below.

Abbreviations	INF-13
Alphabetic Index	INF-10
Body Code Plate Interpretation	INF-12
Catalog Groups - Titles & Contents	INF-2
How to Use This Catalog and Locate Parts	INF-8
Illustration Index	INF-10
Illustration Numbering Index	INF-9
Index.....	INF-1
Logical Illustration Index.....	INF-3
Logical Illustrations	INF-9
Numerical Index	INF-10
Page Numbering.....	INF-9
Part Packages	INF-10
Standard Parts.....	INF-10
Symbols Used in this Catalog.....	INF-9
VIN Plate Decoding Information	INF-11

CATALOG GROUPS - TITLES & CONTENT

Group	Content
001	Component Parts for Mopar Accessories
002	Front Suspension & Drive
003	Rear Axle
004	Parking Brake
005	Service Brakes
006	Clutch
007	Cooling
008	Electrical
009	Engine Mounting
011	Exhaust
013	Frames and Bumpers
014	Fuel
016	Propeller Shafts and U-Joints
017	Rear Suspension
019	Steering
022	Wheels, Covers and Jacks
024	Air Conditioning & Heater
025	Emission Systems
08A	Instrument Panel and Radios and Consoles
2.5L4	Engine 2.5L Four Cylinder
21P	Speedometer Pinions
231	Transfer Case Model 231
23D	Wiper/Lock Cylinder and Keys
30RH	Automatic Transmission 3 Speed
32RH	Automatic Transmission 3 Speed
3550	Manual Transmission 5 Speed
4.0L	Engine 4.0L Six Cylinder
AISIN	Manual Transmission 5 Speed
DTJ	Doors and Related Parts
ETJ	Exterior Ornamentation
ITJ	Interior Trim
STJ	Body Sheet Metal Except Doors

LOGICAL ILLUSTRATION INDEX

Group	Logical Illustration	Logical Illustration Name
001	100	Audio & Electronics
001	1000	4 - Wheeling & Off Road
001	200	Carriers & Cargo Hauling
001	300	Driving Convenience
001	400	Exterior Appearance
001	500	Exterior Protection
001	600	Fog Lights & Electrical
001	800	Interior Storage
001	900	Security
002	100	Front Suspension
002	200	Front Axle Drive Shafts
002	300	Front Axle Housing
002	400	Front Axle Assembly
002	600	Front Axle Differential
003	100	Rear Axle
003	200	Differential and Housing
003	400	Rear Axle Shafts
004	100	Parking Brake Lever and Cables
005	100	Front Brakes
005	200	Rear Brakes
005	300	Power Brake Booster
005	400	Brake Master Cylinder
005	500	Brake Lines and Hoses
005	600	Brake Pedals
006	100	Clutch
006	200	Clutch Housing
006	300	Clutch Controls
006	400	Clutch Pedals
007	100	Radiator and Related Parts
007	200	Water Pump and Related Parts
007	300	Tank, Coolant Engine
007	400	Pulleys and Related Parts
007	500	Drive Belts

007	600	Lines, Transmission Oil Cooler
007	700	Grilles
008	100	Starters
008	1000	Battery Tray and Cables
008	1100	Lamps - Front, Rear and Courtesy
008	1200	Wiring-Engine & Related Parts
008	1300	Wiring-Headlamp to Dash
008	1400	Wiring-Instrument Panel
008	1500	Wiring-Body & Accessories
008	1600	Wiring Repair
008	1900	Spark Plugs-Cables-Coils
008	200	Alternators
008	300	Distributor
008	400	Modules
008	500	Relays
008	600	Sensors
008	700	Single Board Engine Controllers
008	800	Switches
008	900	Horns
009	100	Engine Mounting
011	100	Exhaust System
011	200	Heat Shields
013	100	Frames
013	200	Front Bumper and Fascia
013	300	Rear Bumper and Fascia
013	500	Body Hold Down
014	100	Tank, Fuel
014	1000	Speed Control
014	1100	Accelerator Pedal
014	200	Fuel Tank Filler Tube
014	300	Fuel Lines
014	400	Fuel Rail
014	500	Fuel Pump and Sending Unit
014	600	Throttle Body
014	700	Throttle Controls
014	800	Air Cleaner

016	100	Propeller Shaft
017	100	Rear Suspension
017	200	Rear Stabilizer
019	100	Steering Wheel
019	200	Steering Column
019	300	Steering Gear
019	400	Steering Linkage
019	500	Power Steering Pump
019	700	Power Steering Hoses
022	100	Wheels and Hardware
022	200	Wheel Covers and Center Caps
022	300	Jack Stowage
022	400	Spare Tire Stowage
024	100	Air Conditioner and Heater Units
024	200	Air Conditioner and Heater Plumbing
024	300	Air Conditioner and Heater Controls
024	400	Air Conditioning Compressor
024	600	Air Ducts and Outlets
025	100	Emission Labels
025	300	Vacuum Canister
025	400	Emission Harness
08A	100	Instrument Panel
08A	200	Instrument Panel Cluster
08A	300	Radio, Antenna, and Speakers
08A	400	Consoles
2.5L4	200	Cylinder Head
2.5L4	300	Cylinder Block
2.5L4	400	Crankshaft, Piston and Drive Plate
2.5L4	500	Camshafts & Valves
2.5L4	600	Timing Belt and Cover
2.5L4	700	Engine Oiling
2.5L4	800	Manifolds
2.5L4	900	Crankcase Ventilation
21P	100	Speedometer Pinions
231	100	Transfer Case Assembly
231	1200	Gearshift Controls

231	200	Case and Related Parts
231	400	Gear Train
231	900	Fork and Rails
23D	100	Lock Cylinders and Keys
23D	200	Windshield Wiper and Washer Systems
23D	300	Rear Wiper and Washer System
30RH	100	Transmission Assembly
30RH	1200	Gearshift Controls
30RH	200	Case and Extension
30RH	300	Oil Pump
30RH	400	Gear Train
30RH	500	Bands, Reverse and Kickdown
30RH	600	Governor
30RH	700	Valve Body
32RH	100	Transmission Assembly
32RH	1200	Gearshift Controls
32RH	200	Case and Extension
32RH	300	Oil Pump
32RH	400	Gear Train
32RH	500	Bands, Reverse and Kickdown
32RH	600	Governor
32RH	700	Valve Body
3550	100	Transmission Assembly
3550	1200	Gearshift Controls
3550	200	Case and Extension
3550	400	Gear Train
3550	900	Fork and Rails
4.0L	200	Cylinder Head
4.0L	300	Cylinder Block
4.0L	400	Crankshaft, Piston and Torque Converter
4.0L	500	Camshafts & Valves
4.0L	600	Timing Belt and Cover
4.0L	700	Engine Oiling
4.0L	800	Manifolds
4.0L	900	Crankcase Ventilation
AISIN	100	Transmission Assembly

AISIN	1200	Gearshift Controls
AISIN	200	Case and Extension
AISIN	400	Gear Train
AISIN	900	Forks and Rails
DTJ	100	Front Door
DTJ	500	Exterior Mirror
DTJ	600	Weatherstrips and Seals
ETJ	200	Moldings and Ornamentation
ETJ	300	Decals and Tapestripes
ITJ	100	Headliner and Visor
ITJ	300	Carpet and Tonneau Cover
ITJ	400	Door Trim Panels- Front and Sliding
ITJ	500	Front Seats and Attaching Parts
ITJ	600	Rear Seats and Attaching Parts
ITJ	700	Seat Belts-Front and Rear
ITJ	800	Adjusters, Covers, Shields, and Risers
STJ	1100	Roof - Hard & Soft Top
STJ	1300	Tailgate
STJ	1600	Luggage Rack
STJ	200	Floor Pans
STJ	300	Plugs
STJ	400	Front Fenders
STJ	500	Hood and Hood Release
STJ	600	Cowl and Dash Panel
STJ	700	Glass and Rear View Mirror
STJ	800	Aperture Panel

HOW TO USE THIS CATALOG AND LOCATE PARTS

This Catalog is divided into Part Groups in which illustrations for parts of a similar function and/or location are published. The Group contents listing on the next page shows the type of parts contained in each group. Tabs are provided or available to separate each group.

Several methods may be used to locate a specific part:

Option 1: From the Group Contents listing. Select the group which would most logically contain the part to be found. Open the catalog to the beginning of that group. The first page of the group will contain the part. Turn to the selected illustration and locate the part by reviewing the illustration item numbers and associated text information following the illustration.

Option 2: If the "noun" name of the part you seek is known, an alphabetical index of Nouns and illustration titles is provided to assist in finding the part. Several keys may be found in this index.

RESERVOIR, Power Steering Oil Pump Group 19	Group Reference
ALTERNATOR All Engines 8-210	Illustration Reference
BELT, Front Seat Imdl/710/3	Illustration/Item Reference

Group by Model _____	}
Illustration Number _____	
Item _____	

Option 3: If the part number is known but the applications need to be determined, refer to the numerical index. This index shows the group, illustration number and each part listed in the catalog. Multiple references mean the part is listed more than once.

Option 4: Other options such as group identifiers exist in these catalogs. For Example, Group 23 Body has been broken in sections, i.e. 23A Sheet Metal now is S(model code). Example: SGS for model GS. Group 23C Doors now is D(model code) ex. DGS. Group 23 Exterior Ornamentation now is E(model code). This same logic applies to the Interior Trim Section (ex. IGS).

The Group 9 Engine sections in prior parts catalogs had been numbered 9A, 9B, 9C, etc. There was no real meaning to this numbering scheme. In this new MACS produced catalog the group numbering scheme is as follows: 2.5LD means 2.5 Liter Diesel Engine; 2.0L means 2.0 Liter Four Cylinder Gas Engine; 3.3L6T means 3.3 Liter Six Cylinder Transverse Mounted Engine; and 3.8L means 3.8 Liter Six Cylinder Engine. Also note that Engine Mounting parts are located in Group 9.

PAGE NUMBERING

Two-part page numbers are used throughout this catalog. The first part of the page designation indicates one major group or section. The second part indicates the actual page number in the group. For example:

2-1 indicates Group 2, Front Suspension, Page 1
3-4 indicates Group 3, Axle Rear, Page 4

In the maintenance of the Loose Leaf Parts Catalog Revision Service, it may become necessary to add information beyond the capacity of the page. In this event, an "A" page will be used. For example, if it becomes necessary, because of change, to add several part numbers to page 2-1 and space does not permit the addition, you will be given Page 2-1A. Page 2-1A should be filed immediately following Page 2-1.

Figure and Item Numbers are also commonly used to identify locations in the Catalog, i.e., 14-910/8 refers to Group 14, illustration 910, Item Number 8. Illustration Numbers are always ascending sequential within the Groups.

SYMBOLS USED IN THIS CATALOG

The Following symbols are commonly used with Part Number and Quantity information in this Catalog:

AR - Indicates the quantity required may vary or is to be determined by the user.

PAR - Indicates "Paint As Required"

BLANK - Indicates "All Condition"

- = "Not Illustrated"

LOGICAL ILLUSTRATIONS

Refer to Illustration in front of each group. This will give assistance to as how each group is broken down and what Specific Illustration should be referenced.

ILLUSTRATION NUMBERING INDEX

Illustration numbers in this Catalog are Group standards. This indicates group and consistent content. EXAMPLE: 8-100 is a Logical Illustration for Starters. 8-101 to 8-199 are Specific Illustrations used for Starters for all Catalogs. 8-200 will contain Alternators for all Catalogs and so on. Always refer to group index in front of each group.

ILLUSTRATION INDEX

This index is a compilation of catalog parts description data with reference to illustrations, figures and key numbers as shown:

Fender ie; Model.....Group: S(Model)Illustration 410
(Fender is located in Sheet Metal Section (S) in Illustration 410)

The first page of each group contains a listing of all illustrations and group breakdown within that group. Also refer to illustrations alphabetically listed in information section.

ALPHABETIC INDEX

This index is a compilation of catalog parts description data with a reference to the location of the item by Group, Figure, and Key Number as shown in the following example:

Housing, w/Pump.....Group 7 Illustration 210 Item 10
(Housing, w/Pump.....7-210/10)

The index will be expanded progressively as data is added to computer files. To locate a part by name refer to the Alphabetical Index. This index indicates the group and illustration and item number where the part is located. Alphabetical Index can be found in INF section of this Catalog.

NUMERICAL INDEX

A listing of Part Numbers contained in the catalog. The numbers are in numerical sequence with reference to the group and Illustration and item number where the part is located.

PARTS PACKAGES

Service Parts Packages, containing all parts needed for specific service operation, are listed in their respective groups with related parts. The listing will show adaptability and model application.

STANDARD PARTS

Important attaching standard parts such as bolts, nuts, etc, are generally listed in the text of the respective major parts groups.

VIN PLATE DECODING INFORMATION

1	2	3	4	5	6	7	8	9	10	11	12 thru 17
Country	Make	Vehicle Type	Other	Line	Series	Body Style	Engine	Check Digit	Model Year	Assy. Plant	Sequence No.

The following table interprets the VIN Plate positions shown above.

Position	Interpretation	Codes = Description
1	Country of Origin	1 = U.S.
2	Make	J = Jeep
3	Vehicle type	4 = MPV
4	GVWR & Pass. Safety	D=0-1360 kg (0-3000 lbs) E=1361-1814 kg (3001-4000 lbs) F=1815-2267 kg (4001-5000 lbs)
5	Vehicle Line	A = Wrangler 4x4 Left Hand Drive 4 = Wrangler 4x4 Right Hand Drive
6	Series	2 = SE 3 = X 4 = Sport 5 = Sahara
7	Body Style	9 = Open Body
8	Engine	P = 2.5L Gas Unleaded (EPE) S = 4.0L Gas Unleaded (ERH) H = 2.5L Gas Leaded (EPE) V = 4.0L Leaded (ERH)
9	Check Digit	
10	Model Year	2 = 2002
11	Assembly Plant	P = Toledo #2
12 thru 17	Vehicle Build Sequence	Model Year Assembly Sequence

BODY CODE PLATE INTERPRETATION

The Body Code Plate is located on the Left Front Side Shield or Wheel Housing or the Upper Radiator Support. The Plate contains 7 rows of data. The bottom 3 rows are reserved for the specific information as depicted below. Starting at the fourth row (following the reserved portion), other Sales Codes used to build a specific vehicle are listed in the ascending order by ALPHA sequence.

1	2	3	4	5	6	7	8	9	10	11	12	13	14	15	16	17	18	19	20	21
22	23	24	25	26	27	28	29	30	31	32	33	34	35	36	37	38	39			
40	41	42	43	44	45	46	47	48	49	50	51	52	53	54	55	56	57	58	59	60

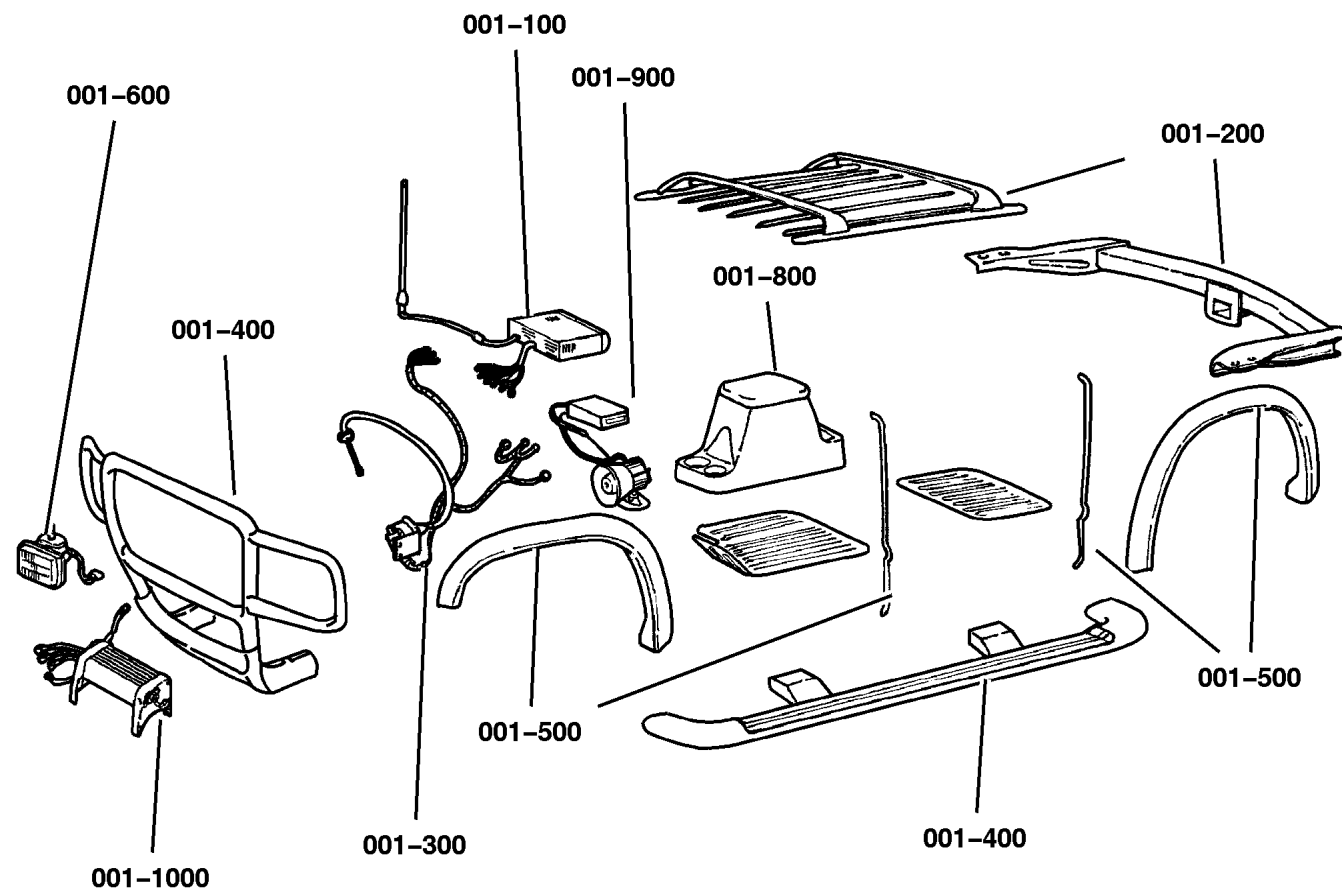
1-12	VEHICLE ORDER NUMBER
13-15	VINYL ROOF CODE/DOOR COMBO CODES
16-18	VEHICLE SHELL CAR LINE
19	PRICE CLASS
20-21	BODY TYPE
22-24	PAINT PROCEDURE
25-28	PRIMARY PAINT
29-32	SECONDARY PAINT
33-36	INTERIOR TRIM CODE
37-39	ENGINE CODES
40-42	TRANSMISSION CODES
43	MARKET CODES
44-46	VEHICLE IDENTIFICATION NUMBER (VIN) For definition of the Elements and the individual position see Vin Plate Defined.

ABBREVIATIONS

A/C	Air Conditioner
ABS	Anti-Lock Brakes System
AR	As Required
ATC	Automatic Temperature Control
AWD	All Wheel Drive
BUX	Built Up Export
CV	Constant Velocity
DOHC	Dual (or Double) OverHead Cam
EFI	Electronic Fuel Injection
EGR	Exhaust Gas Recirculation
ECU	Electronic Control Unit
FWD	Front Wheel Drive
HEX	HEXagon
HCU	Hydraulic Control Unit
I/D	Inside Diameter
L	Liter
LED	Light Emitting Diode
MAP	Manifold Absolute Pressure
MPH	Miles Per Hour
O/D	Outside Diameter
P/S	Power Steering
PSI	Pounds per Square Inch
PSF	Pounds per Square Foot
PRNODL	Park, Reverse, Neutral, Overdrive, Drive, Low
PRNDL	Park, Reverse, Neutral, Drive, Low
PTO	Power Take Off
RFI	Radio Frequency Interference
RPM	Revolutions Per Minute
RTV	Room Temperature Vulcanizer (sealant)
T/BODY	Throttle BODY
U/BODY	Under BODY
SOHC	Single OverHead Cam
PAR	Paint As Required

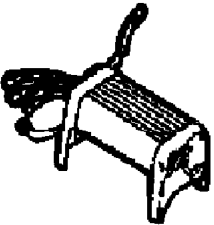
Group – 001

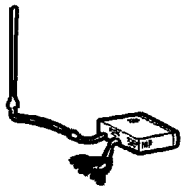

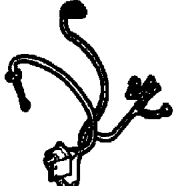
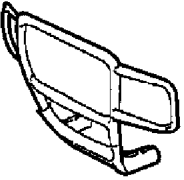

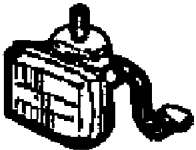

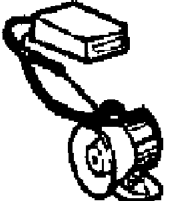
Component Parts for Mopar Accessories



Group – 001

Component Parts for Mopar Accessories

<p>001-1000 4 - Wheeling & Off Road</p> 			
--	--	--	--

<p>001-100 Audio & Electronics</p> 	<p>001-200 Carriers & Cargo Hauling</p> 	<p>001-300 Driving Convenience</p> 	<p>001-400 Exterior Appearance</p> 
<p>001-500 Exterior Protection</p> 	<p>001-600 Fog Lights & Electrical</p> 	<p>001-800 Interior Storage</p> 	<p>001-900 Security</p> 

GROUP 1 - Component Parts for Mopar Accessories**GROUP 1 - Component Parts for Mopar Accessories**

Illustration Title	Group-Fig. No.
Audio & Electronics	
Player Kit - CD Changer - 6 Disc	Fig. 001-110
Player Kit -- 12 Disc	Fig. 001-120
Install Kit - CD Changer - Trunk	Fig. 001-130
Antenna Kit	Fig. 001-150
Speaker Kit - Sub Woofer	Fig. 001-162
Overhead Speakers - Soundbar	Fig. 001-164
Carriers & Cargo Hauling	
Bike Carrier - Hitch Mount	Fig. 001-220
Bike Carrier - Spare Tire Mount	Fig. 001-222
Ski Carrier - Spare Tire Mount	Fig. 001-232
Trailer Tow - Receiver Kit	Fig. 001-250
Driving Convenience	
Speed Control Kit	Fig. 001-310
Top Kit - Soft Hardtop Replacement	Fig. 001-320
Hardtop Exhauster	Fig. 001-322
Mounting Kit - Cell Phone	Fig. 001-330
Exterior Appearance	
Bumper Kit- Front Tubular	Fig. 001-410
Bumper Kit - Rear Tubular	Fig. 001-420
Extension Kit - Bumper Front	Fig. 001-430
Side Step Kit	Fig. 001-440
Exterior Protection	
Shield Kit - Air Front	Fig. 001-510
Trim Kit - Door	Fig. 001-520
Hardware Package - Door	Fig. 001-540
Hardtop Wiring Kit	Fig. 001-550
Fog Lights & Electrical	
Light Kit - Fog	Fig. 001-610
Light Kit - Off Road	Fig. 001-620
Bar Kit - Light Windshield	Fig. 001-630
Installation Package - Lights Off Road	Fig. 001-640
Heater Kit - Engine Block	Fig. 001-650
Interior Storage	
Console Kit - Floor	Fig. 001-820
Security	
Alarm - EVS Base System	Fig. 001-910

Illustration Title	Group-Fig. No.
4 - Wheeling & Off Road	
Winch Kit - Power	Fig. 001-1020

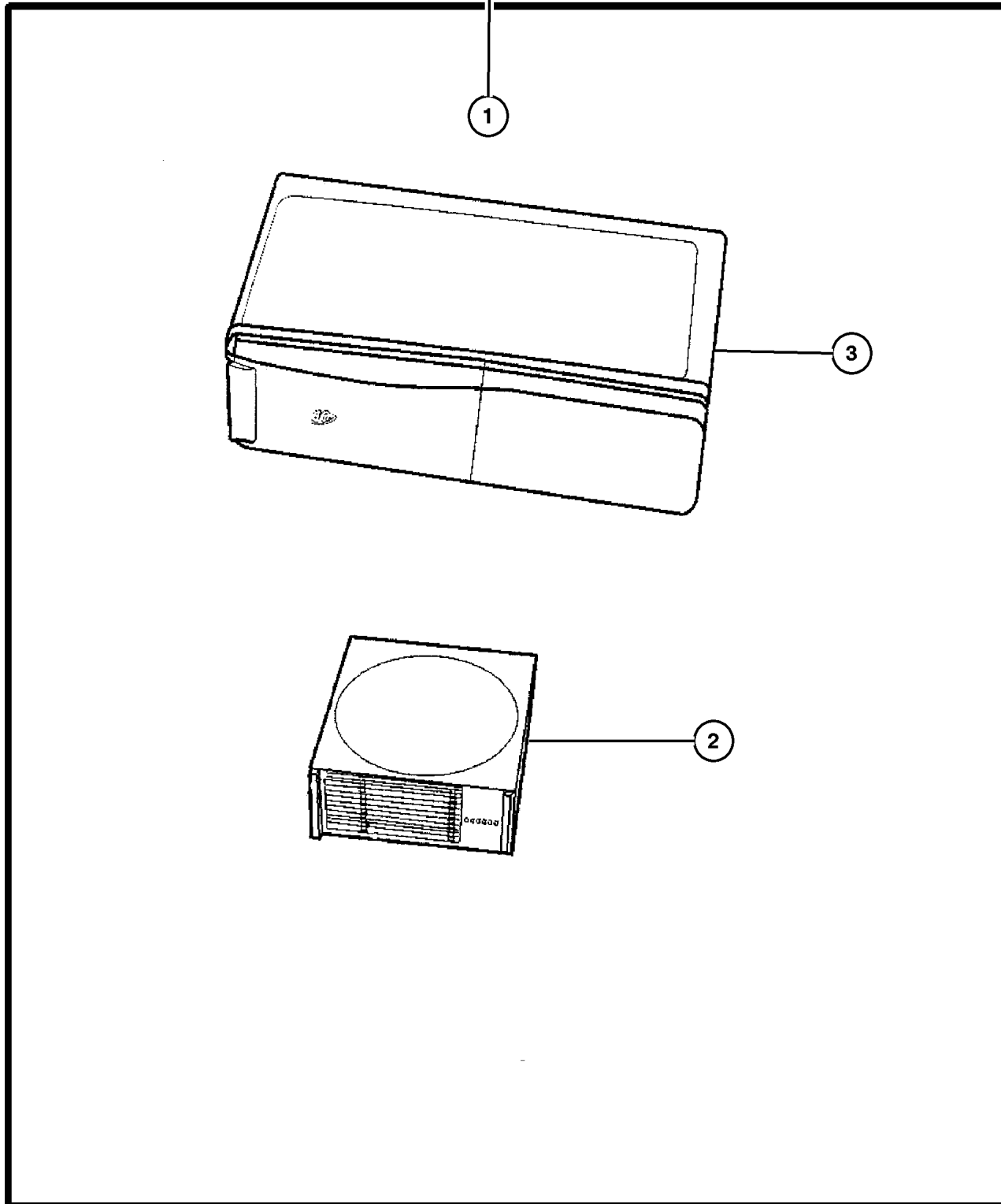


**Player Kit - CD Changer - 6 Disc
Figure 001-110**

ITEM	PART NUMBER	QTY	LINE	SERIES	BODY	ENGINE	TRANS	TRIM	DESCRIPTION
------	-------------	-----	------	--------	------	--------	-------	------	-------------

NOTE; Use with CD-Controlled radios. For radios without CD Changer controls, use FM-Modulator Kit 82202292

1	8220 2700	1							PLAYER KIT, CD Changer - 6 Disc
2	4797 433	1							MAGAZINE, CD Changer
3									CHANGER, CD, Serviced in Package, (NOT SERVICED) (Not Serviced)



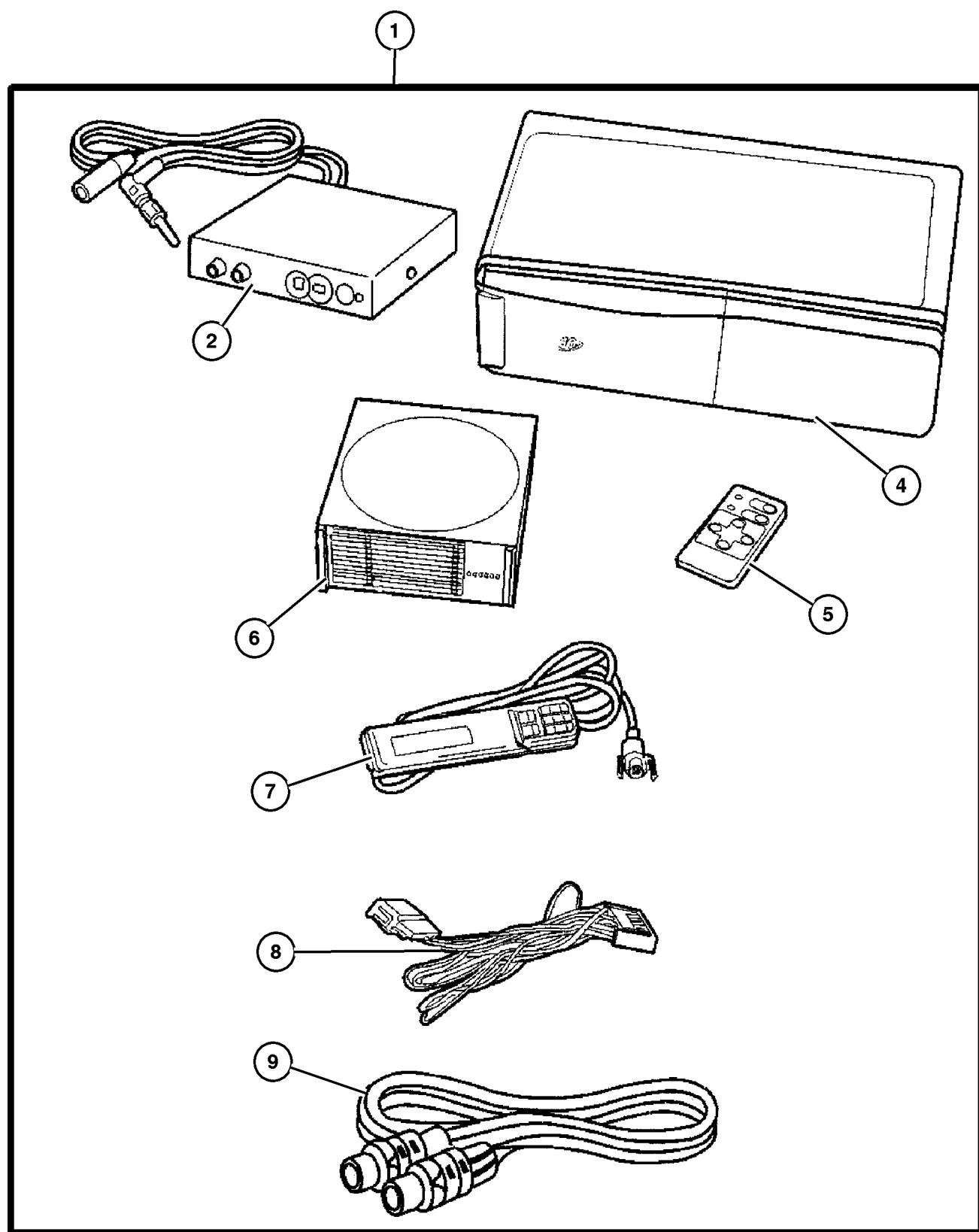
JEEP WRANGLER (TJ)

SERIES	LINE	BODY	ENGINE	TRANSMISSION
H = Sport	J = Wrangler 4WD	77 = 93.4 WB	EPE, EP0 = 2.5L Power Tech	DGG, DGD = 32RH 3 Spd. Auto.
L = SE	U = Wrangler 4WD (RHD)		ERH, ER0 = 4.0L Power Tech	DDQ = 5 Spd. Manual
M = X				DDD = 5 Speed HD Manual
P = Sahara				DG0 = Auto. Trans.
				DBB = Manual Trans.

AR = Use as required - = Non illustrated part # = New this model year

January 26, 2004

Player Kit -- 12 Disc
Figure 001-120



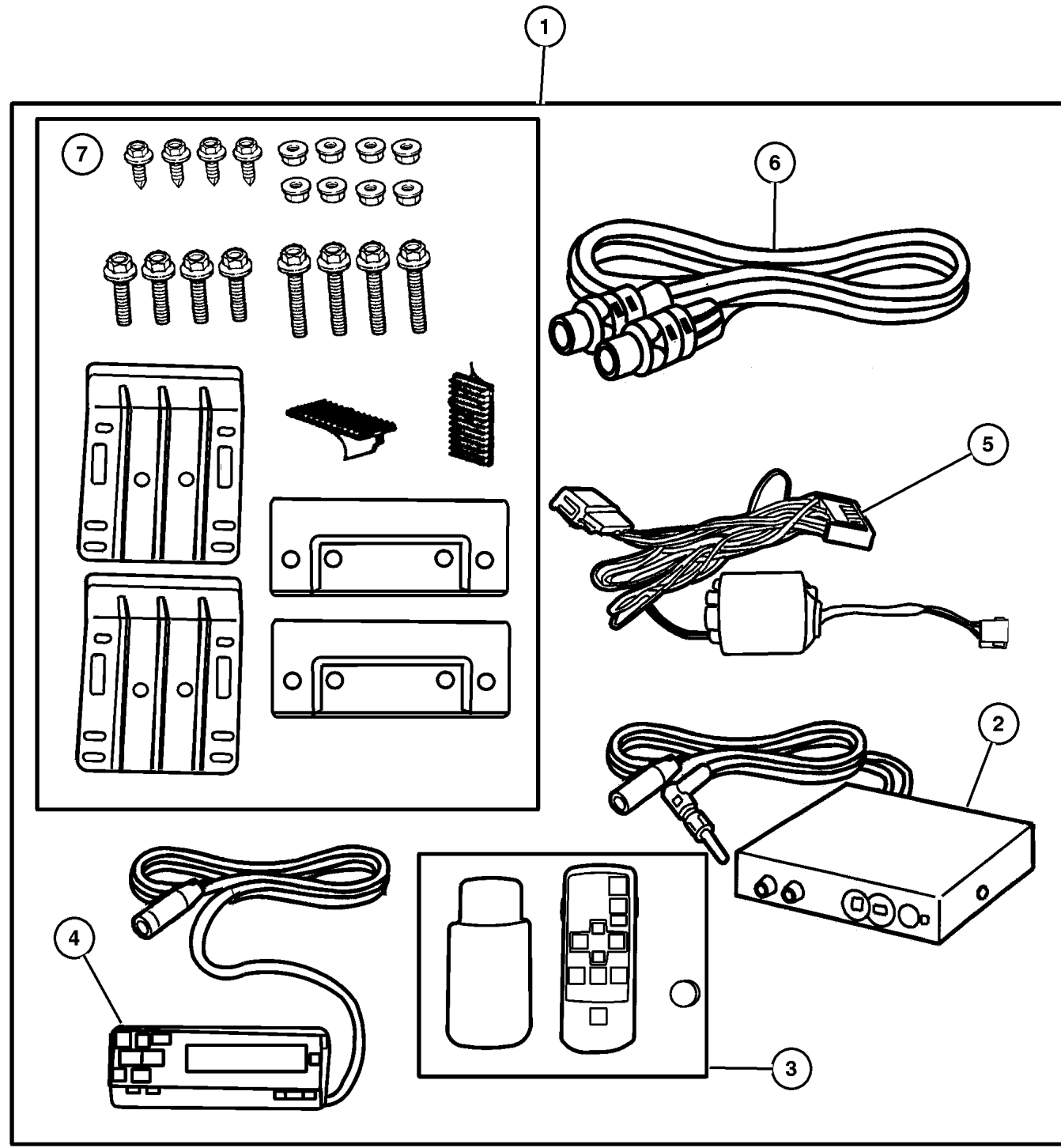
ITEM	PART NUMBER	QTY	LINE	SERIES	BODY	ENGINE	TRANS	TRIM	DESCRIPTION
NOTE; For radio without CD controls. Pentastar Logo, Includes RF Modulator, Power Cord, Din Cord, Hand Held and IR Remote Controller and Operating manual, 12 Disc Magazine.									
1	8220 4730	1	J		77				PLAYER KIT, CD Changer - 12 Disc
2	5013 804AA	1	J		77				MODULATOR, FM
-3	5013 800AA	1	J		77				HARDWARE KIT, Mounting
4	5013 806AA	1	J		77				CHANGER, CD
5	5013 802AA	1	J		77				CONTROLLER, CD Wireless
6	5013 805AA	1	J		77				MAGAZINE, CD Changer
7	5013 803AA	1	J		77				CONTROLLER, CD Wired
8	4465 117	1	J		77				ADAPTOR, A/C
9	5013 801AA	1	J		77				DIN CORD, CD Player, 5 Meters

JEEP WRANGLER (TJ)				
SERIES	LINE	BODY	ENGINE	TRANSMISSION
H = Sport	J = Wrangler 4WD	77 = 93.4 WB	EPE, EP0 = 2.5L Power Tech	DGG, DGD = 32RH 3 Spd. Auto.
L = SE	U = Wrangler 4WD (RHD)		ERH, ER0 = 4.0L Power Tech	DDQ = 5 Spd. Manual
M = X				DDD = 5 Speed HD Manual
P = Sahara				DG0 = Auto. Trans.
				DBB = Manual Trans.

AR = Use as required - = Non illustrated part # = New this model year

January 26, 2004

Install Kit - CD Changer - Trunk
Figure 001-130



ITEM	PART NUMBER	QTY	LINE	SERIES	BODY	ENGINE	TRANS	TRIM	DESCRIPTION
1	8220 7481	1	J		77				INSTALL KIT, CD Changer - Trunk
2									MODULATOR, FM Changer, (NOT SERVICED) (Not Serviced)
3	5017 217AA	1	J		77				CONTROLLER, CD Wireless
4									CONTROLLER, CD Wired, (NOT SERVICED) (Not Serviced)
5	4465 117	1	J		77				ADAPTOR, A/C
6	4465 113	1	J		77				CABLE, Din
7									HARDWARE KIT, Mounting, (NOT SERVICED) (Not Serviced)

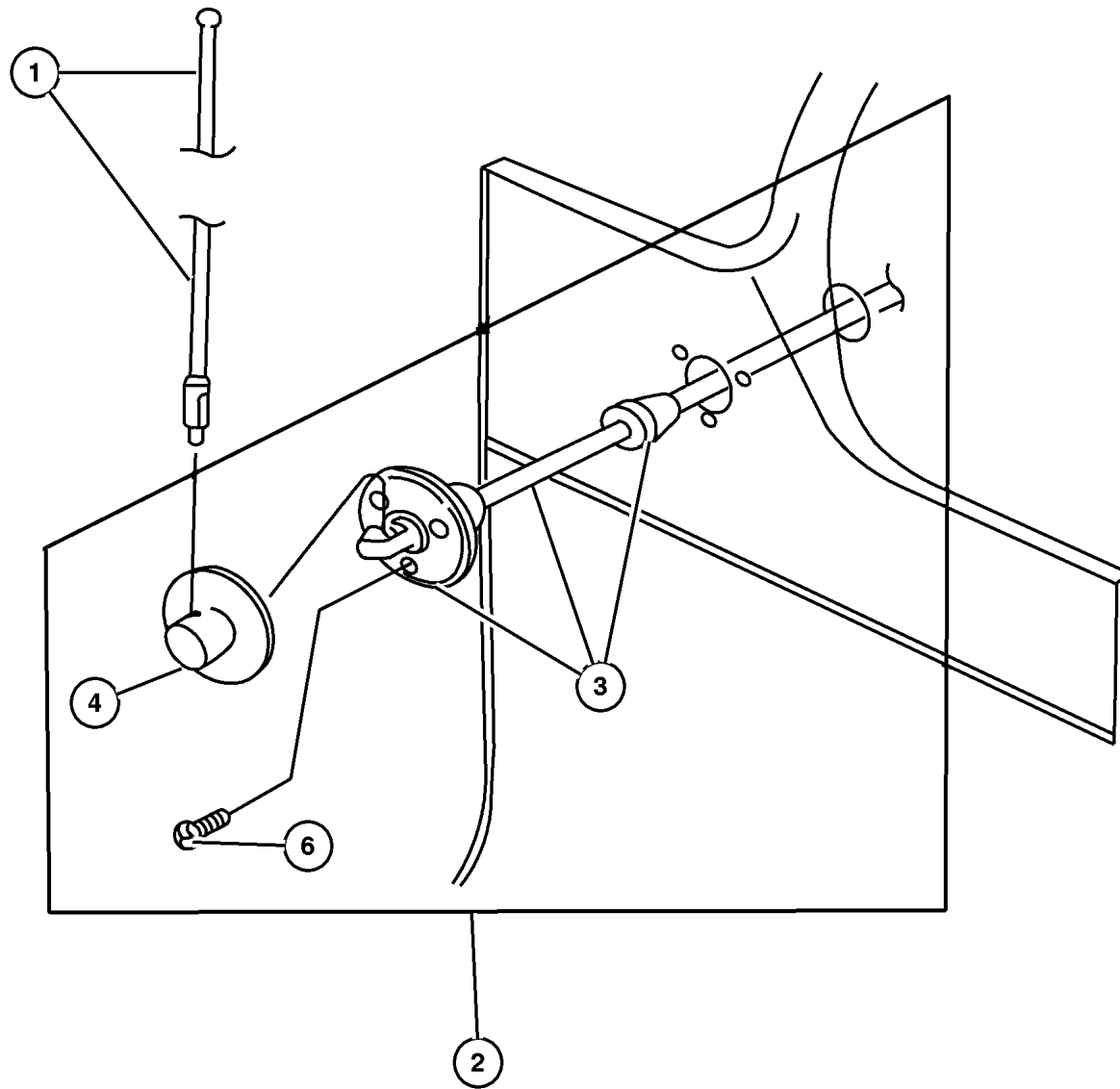
JEEP WRANGLER (TJ)			
SERIES	LINE	BODY	ENGINE
H = Sport	J = Wrangler 4WD	77 = 93.4 WB	EPE, EP0 = 2.5L Power Tech
L = SE	U = Wrangler 4WD (RHD)		ERH, ER0 = 4.0L Power Tech
M = X			
P = Sahara			
			TRANSMISSION
			DGG, DGD = 32RH 3 Spd. Auto.
			DDQ = 5 Spd. Manual
			DDD = 5 Speed HD Manual
			DG0 = Auto. Trans.
			DBB = Manual Trans.

AR = Use as required - = Non illustrated part # = New this model year

January 26, 2004

Antenna Kit Figure 001-150

ITEM	PART NUMBER	QTY	LINE	SERIES	BODY	ENGINE	TRANS	TRIM	DESCRIPTION
1	5600 9081	1							MAST, Antenna
2	8220 2317	1	J		77				ANTENNA PACKAGE, Radio - Manual
3	5600 8788	1							ANTENNA, Base Cable And Bracket
4	5603 8504	1							COVER, Antenna Opening
-5	5600 8786	1							CABLE, Antenna, Extension with 90 Degree Male End.
6									SCREW, Oval Head, .164-18x.75, (NOT SERVICED) (Not Serviced)



JEEP WRANGLER (TJ)			
SERIES	LINE	BODY	ENGINE
H = Sport	J = Wrangler 4WD	77 = 93.4 WB	EPE, EP0 = 2.5L Power Tech
L = SE	U = Wrangler 4WD (RHD)		ERH, ER0 = 4.0L Power Tech
M = X			
P = Sahara			

TRANSMISSION
DGG, DGD = 32RH 3 Spd. Auto.
DDQ = 5 Spd. Manual
DDD = 5 Speed HD Manual
DG0 = Auto. Trans.
DBB = Manual Trans.

AR = Use as required - = Non illustrated part # = New this model year

January 26, 2004

Speaker Kit - Sub Woofer Figure 001-162

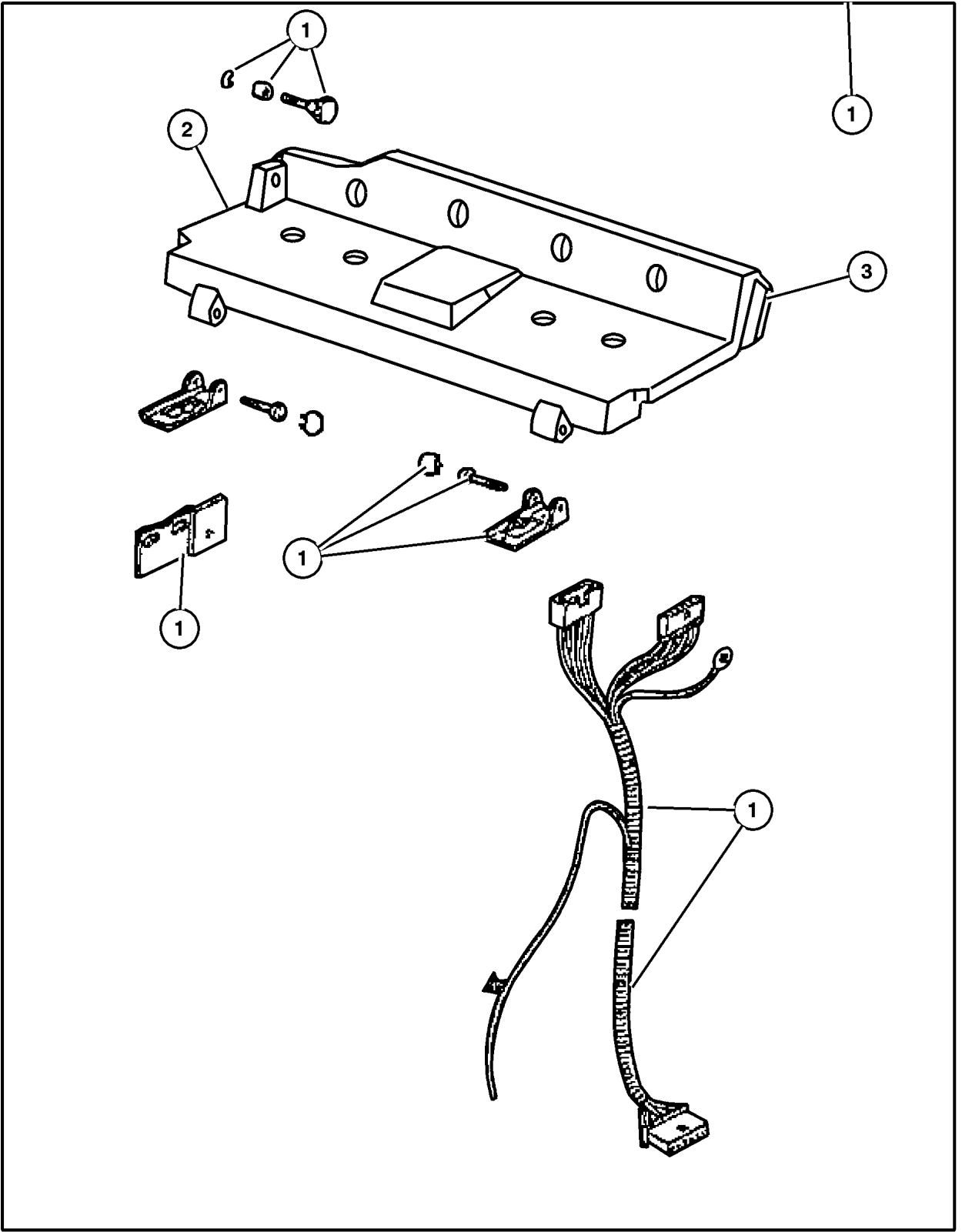
ITEM	PART NUMBER	QTY	LINE	SERIES	BODY	ENGINE	TRANS	TRIM	DESCRIPTION
------	-------------	-----	------	--------	------	--------	-------	------	-------------

NOTE: Sub-Woofer, Treeters and Amplifier are located in the panel

1	8220 4808	1	J		77				SPEAKER KIT, Sub Woofer Agate
	8220 4809	1	J		77				Camel
2	4883 950	1	J		77				SPEAKER, Sub - Woofer, 8 Inch
3	4883 951	1	J		77				SPEAKER, Tweeter
-4	4883 952	1	J		77				AMPLIFIER, Radio

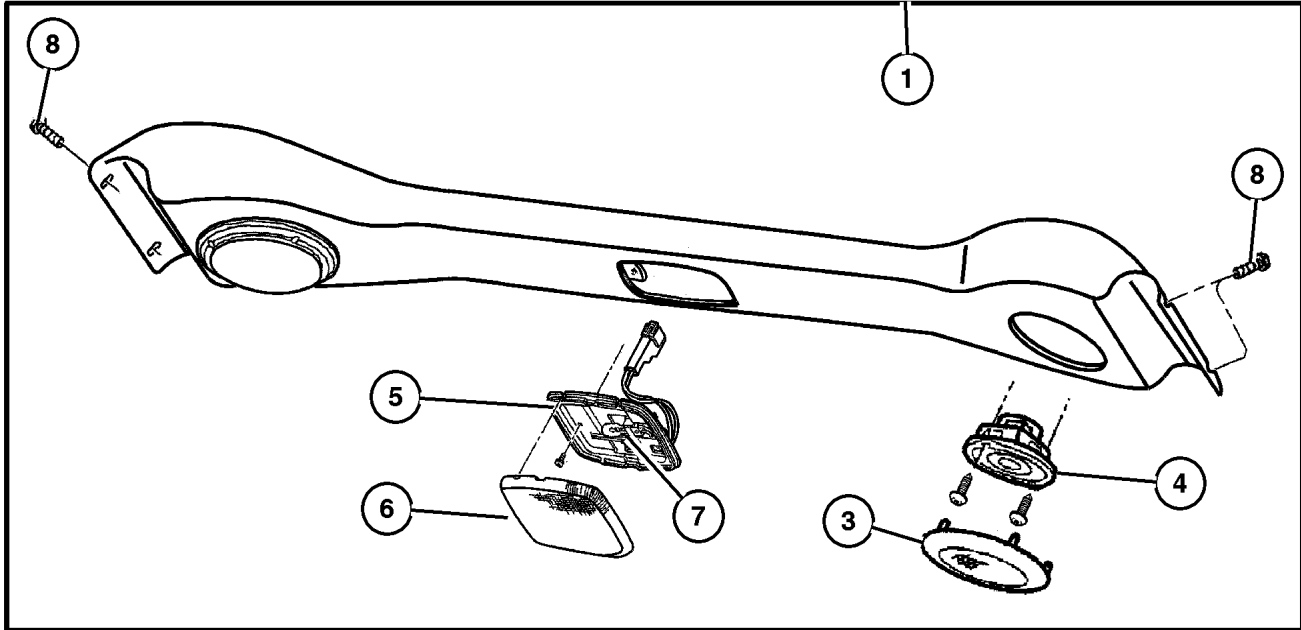
JEEP WRANGLER (TJ)				
SERIES	LINE	BODY	ENGINE	TRANSMISSION
H = Sport	J = Wrangler 4WD	77 = 93.4 WB	EPE, EP0 = 2.5L Power Tech	DGG, DGD = 32RH 3 Spd. Auto.
L = SE	U = Wrangler 4WD (RHD)		ERH, ER0 = 4.0L Power Tech	DDQ = 5 Spd. Manual
M = X				DDD = 5 Speed HD Manual
P = Sahara				DG0 = Auto. Trans.
				DBB = Manual Trans.

AR = Use as required - = Non illustrated part # = New this model year January 26, 2004



Overhead Speakers - Soundbar
Figure 001-164

ITEM	PART NUMBER	QTY	LINE	SERIES	BODY	ENGINE	TRANS	TRIM	DESCRIPTION
1									SPEAKER KIT, Sound Bar
	8220 7330	1	J		77				Agate
	8220 7331	1	J		77				Camel
-2	4874 294	1							COVER, Soundbar
3	4874 296AB	1							GRILLE, Speaker
4	56038 566AC	2							SPEAKER, 5.25"
5	5600 7264	1							BEZEL, Dome Lamp
6	5600 7265	1							LENS, Dome Lamp
7	L000 0912	1							BULB, 912
8	6503 267	4							SCREW, Round Head, M6x1x25



JEEP WRANGLER (TJ)

SERIES	LINE	BODY	ENGINE	TRANSMISSION
H = Sport	J = Wrangler 4WD	77 = 93.4 WB	EPE, EP0 = 2.5L Power Tech	DGG, DGD = 32RH 3 Spd. Auto.
L = SE	U = Wrangler 4WD (RHD)		ERH, ER0 = 4.0L Power Tech	DDQ = 5 Spd. Manual
M = X				DDD = 5 Speed HD Manual
P = Sahara				DG0 = Auto. Trans.
				DBB = Manual Trans.

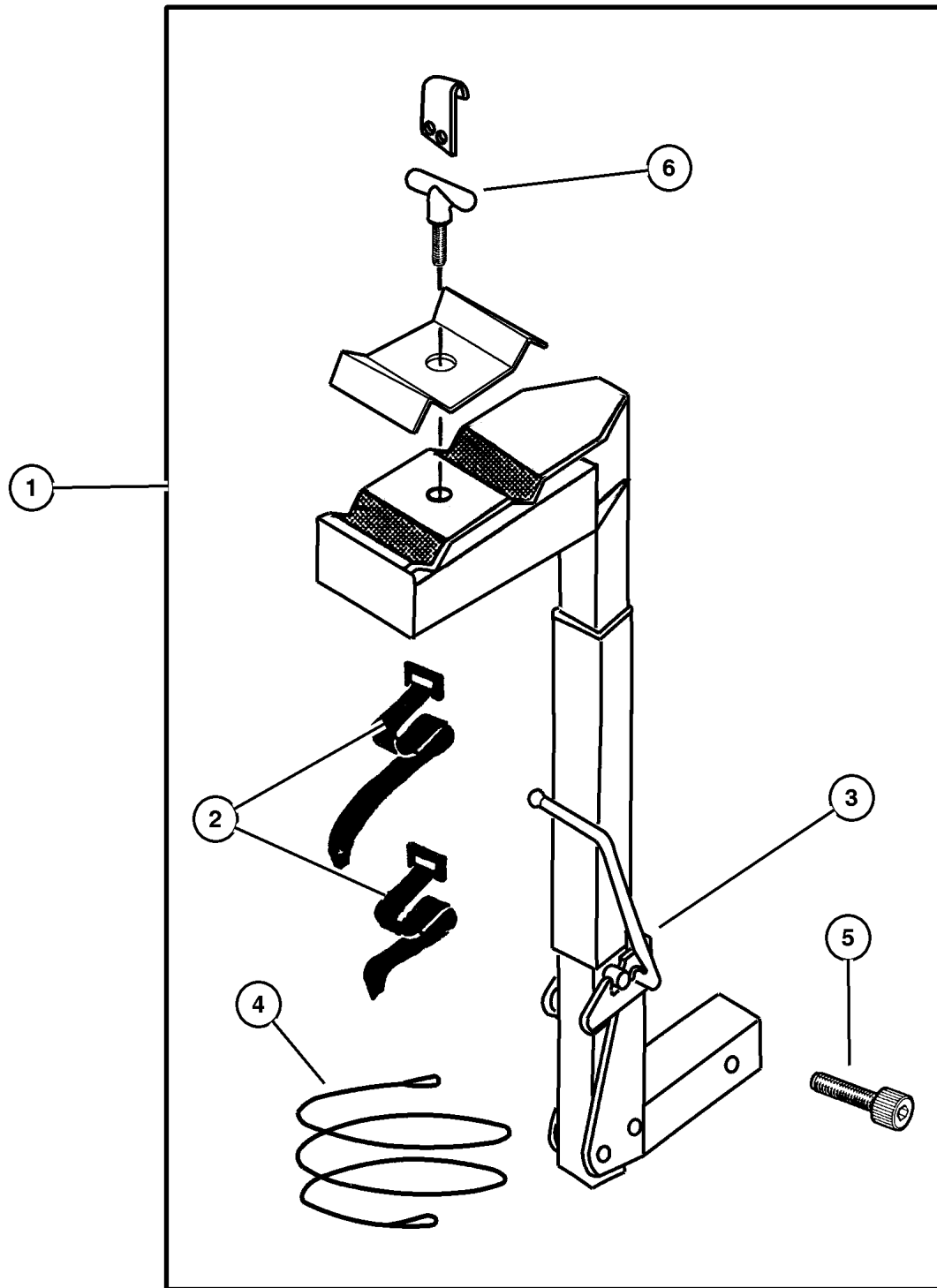
AR = Use as required - = Non illustrated part # = New this model year

**Bike Carrier - Hitch Mount
Figure 001-220**

ITEM	PART NUMBER	QTY	LINE	SERIES	BODY	ENGINE	TRANS	TRIM	DESCRIPTION
------	-------------	-----	------	--------	------	--------	-------	------	-------------

NOTE: Folds down for access to rear deck, has anti theft bolts.

1	8220 4452	1	J		77				CARRIER KIT, Bike, 1.25 inch Receiver
2	4762 880	1	J		77				STRAP KIT, Velcro
3	5016 775AA	1	J		77				STRAP KIT, Bike Carrier Latch, Consists of: 2- Rubber Straps
4	4762 882	1	J		77				LOCK KIT, Bike Carrier Handle
5	5016 774AA	1	J		77				BOLT KIT, Security, Consists of: Security Bolt and Wrench
6	5016 610AA	1	J		77				HARDWARE KIT, Accessory, T-Handle



JEEP WRANGLER (TJ)

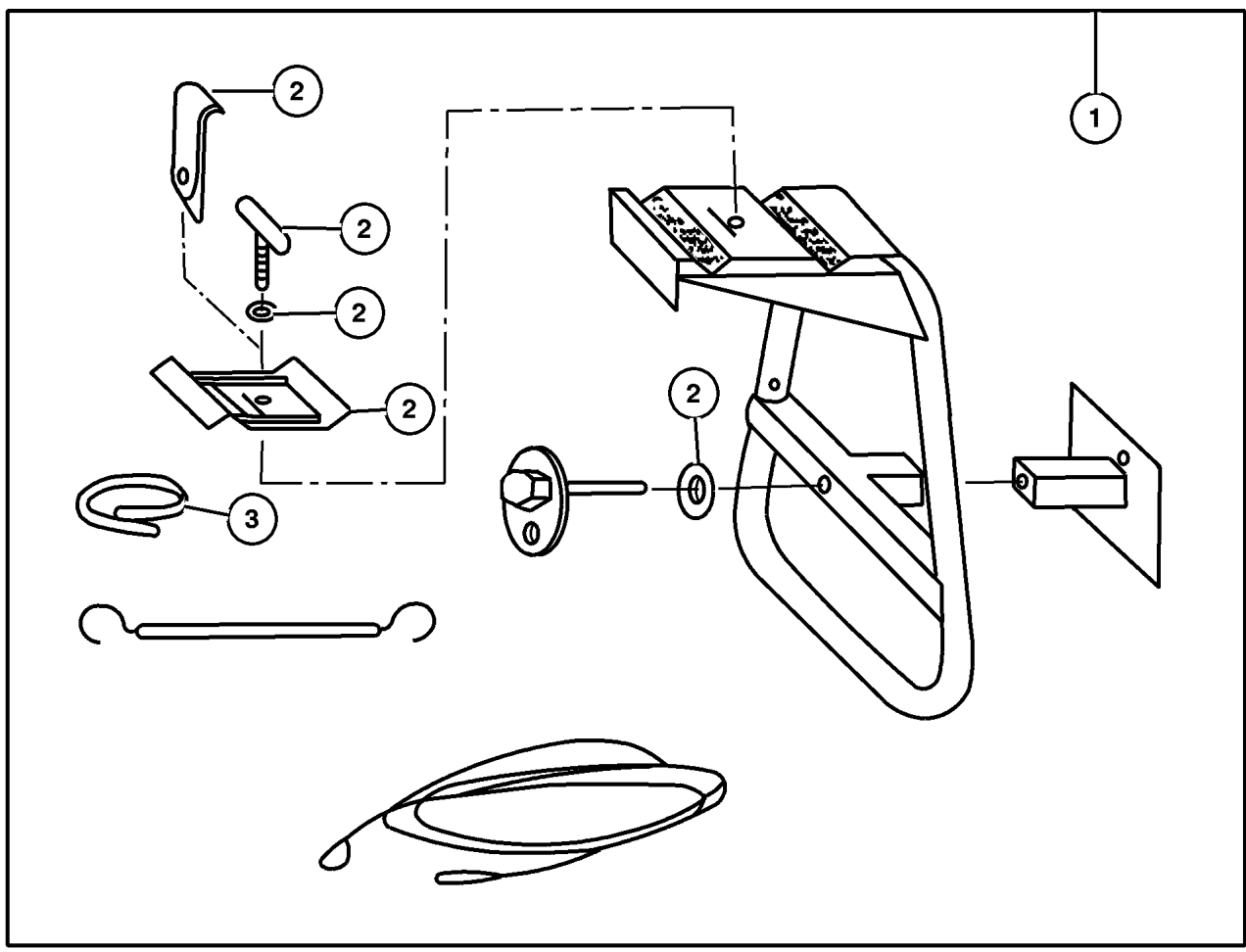
SERIES	LINE	BODY	ENGINE	TRANSMISSION
H = Sport	J = Wrangler 4WD	77 = 93.4 WB	EPE, EP0 = 2.5L Power Tech	DGG, DGD = 32RH 3 Spd. Auto.
L = SE	U = Wrangler 4WD (RHD)		ERH, ER0 = 4.0L Power Tech	DDQ = 5 Spd. Manual
M = X				DDD = 5 Speed HD Manual
P = Sahara				DG0 = Auto. Trans.
				DBB = Manual Trans.

AR = Use as required - = Non illustrated part # = New this model year

January 26, 2004

Bike Carrier - Spare Tire Mount
Figure 001-222

ITEM	PART NUMBER	QTY	LINE	SERIES	BODY	ENGINE	TRANS	TRIM	DESCRIPTION
NOTE: Mounts to Spare Tire - Holds two Bikes with Crossbars									
1	8220 7520	1	J		77				CARRIER KIT, Bike
2	5018 825AA	1	J		77				HARDWARE KIT, Bike Carrier
3	4762 880	1	J		77				STRAP KIT, Velcro, Contains: 1 Long and 1 Short Strap



JEEP WRANGLER (TJ)				
SERIES	LINE	BODY	ENGINE	TRANSMISSION
H = Sport	J = Wrangler 4WD	77 = 93.4 WB	EPE, EP0 = 2.5L Power Tech	DGG, DGD = 32RH 3 Spd. Auto.
L = SE	U = Wrangler 4WD (RHD)		ERH, ER0 = 4.0L Power Tech	DDQ = 5 Spd. Manual
M = X				DDD = 5 Speed HD Manual
P = Sahara				DG0 = Auto. Trans.
				DBB = Manual Trans.

AR = Use as required - = Non illustrated part # = New this model year

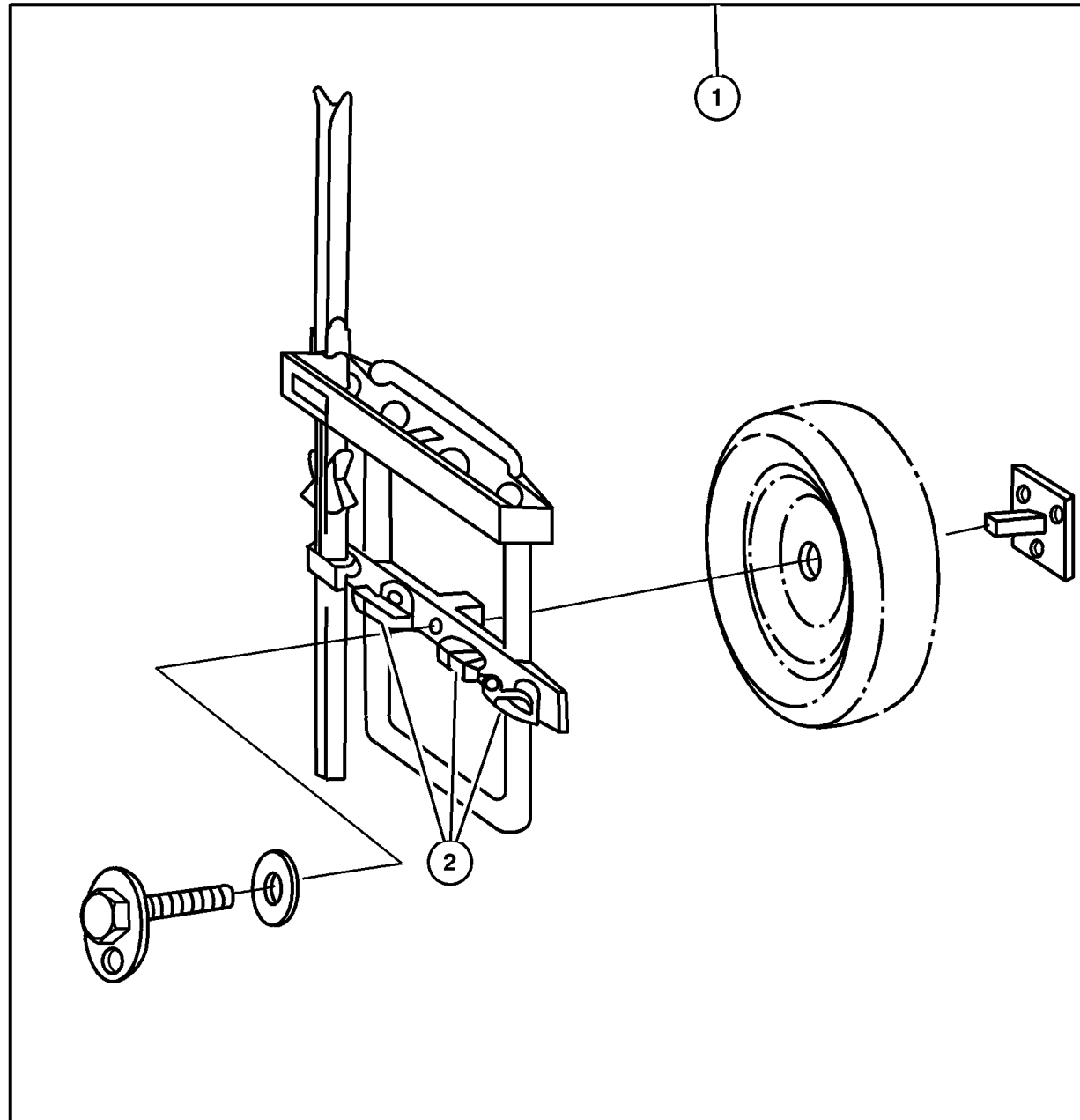
January 26, 2004

Ski Carrier - Spare Tire Mount
Figure 001-232

ITEM	PART NUMBER	QTY	LINE	SERIES	BODY	ENGINE	TRANS	TRIM	DESCRIPTION
------	-------------	-----	------	--------	------	--------	-------	------	-------------

NOTE: Requires full size, outside mounted spare tire.

1	8220 7643	1	J		77				CARRIER KIT, Ski
2	5016 775AA	1	J		77				STRAP KIT, Bike Carrier Latch, Contains: 2 Rubber Straps



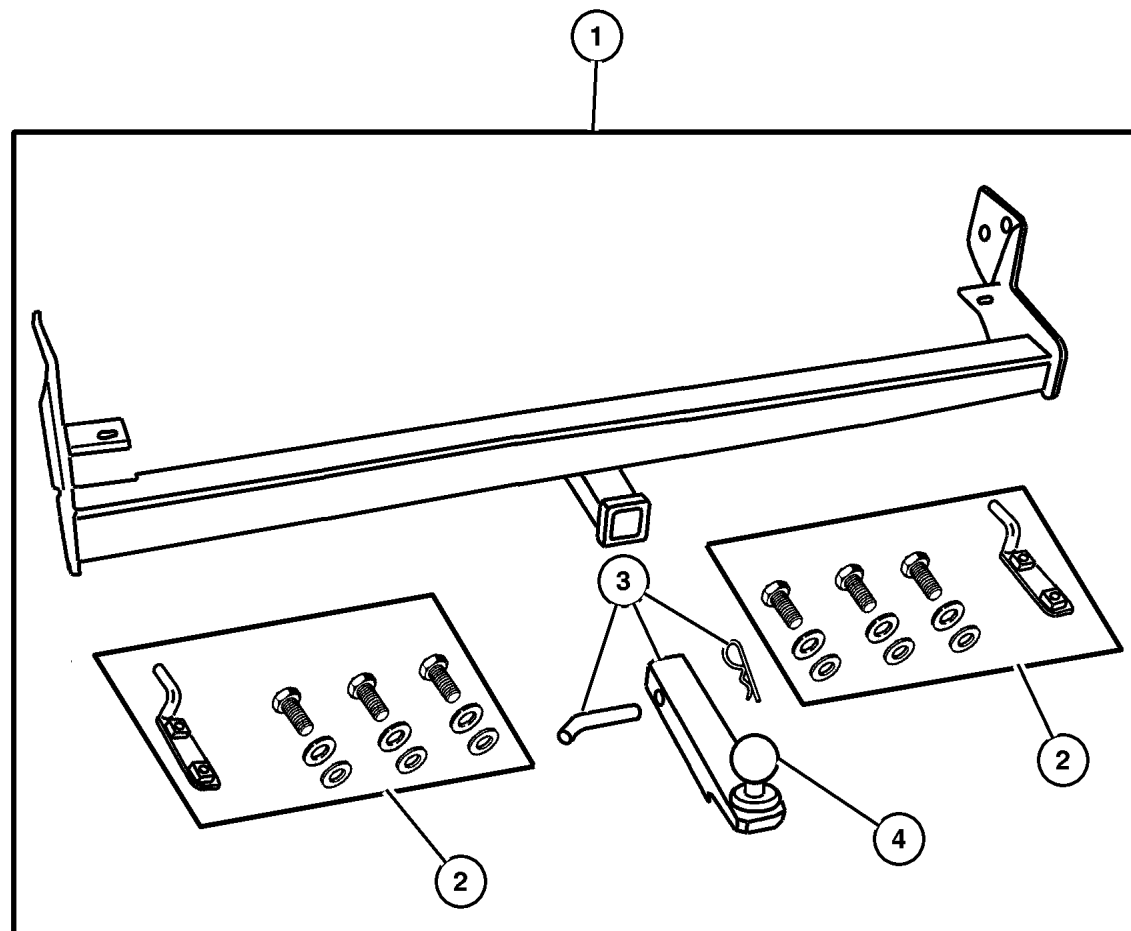
JEEP WRANGLER (TJ)				
SERIES	LINE	BODY	ENGINE	TRANSMISSION
H = Sport	J = Wrangler 4WD	77 = 93.4 WB	EPE, EP0 = 2.5L Power Tech	DGG, DGD = 32RH 3 Spd. Auto.
L = SE	U = Wrangler 4WD (RHD)		ERH, ER0 = 4.0L Power Tech	DDQ = 5 Spd. Manual
M = X				DDD = 5 Speed HD Manual
P = Sahara				DG0 = Auto. Trans.
				DBB = Manual Trans.

AR = Use as required - = Non illustrated part # = New this model year

January 26, 2004

**Trailer Tow - Receiver Kit
Figure 001-250**

ITEM	PART NUMBER	QTY	LINE	SERIES	BODY	ENGINE	TRANS	TRIM	DESCRIPTION
1	8220 4119	1	J		77				RECEIVER KIT, Trailer Tow
2									HARDWARE KIT, Hitch, Serviced in Kit, (NOT SERVICED) (Not Serviced)
3	4549 284	1	J		77				ADAPTER KIT, Ball Mount
4	8240 1104	1	J		77				BALL KIT, Trailer Tow, Includes Drawbar, Pin and Clip



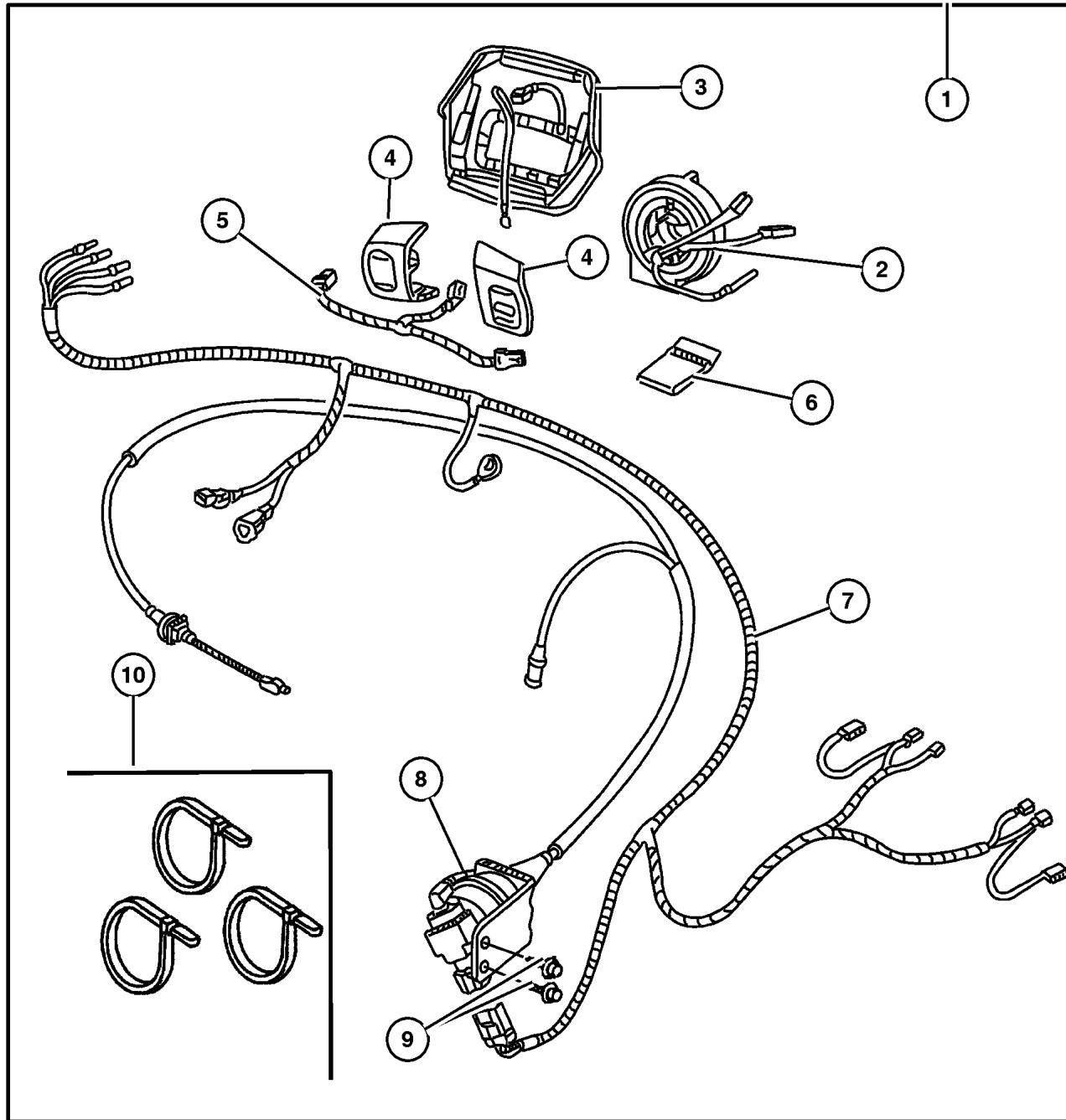
JEEP WRANGLER (TJ)				
SERIES	LINE	BODY	ENGINE	TRANSMISSION
H = Sport	J = Wrangler 4WD	77 = 93.4 WB	EPE, EP0 = 2.5L Power Tech	DGG, DGD = 32RH 3 Spd. Auto.
L = SE	U = Wrangler 4WD (RHD)		ERH, ER0 = 4.0L Power Tech	DDQ = 5 Spd. Manual
M = X				DDD = 5 Speed HD Manual
P = Sahara				DG0 = Auto. Trans.
				DBB = Manual Trans.

AR = Use as required - = Non illustrated part # = New this model year

January 26, 2004

**Speed Control Kit
Figure 001-310**

ITEM	PART NUMBER	QTY	LINE	SERIES	BODY	ENGINE	TRANS	TRIM	DESCRIPTION
1	8220 6977	1	J		77				CONTROL PACKAGE, Speed Control
2	56047 105AB	1							CLOCKSPRING
3	5073 556AA	1							COVER, Air Bag Module
4	56007 530AD	1							SWITCH, Speed Control
5	5600 9437	1							WIRING, Steering Wheel
6									FASTENER, Trim Cover, (NOT SERVICED) (Not Serviced)
7									WIRING, Speed Control, (NOT SERVICED) (Not Serviced)
8									SERVO, Speed Control, Same as Production, (NOT SERVICED) (Not Serviced)
9									SCREW, Hex Head, M6x1x20, (NOT SERVICED) (Not Serviced)
10	6015 756	3							STRAP, Tie, Seven inch



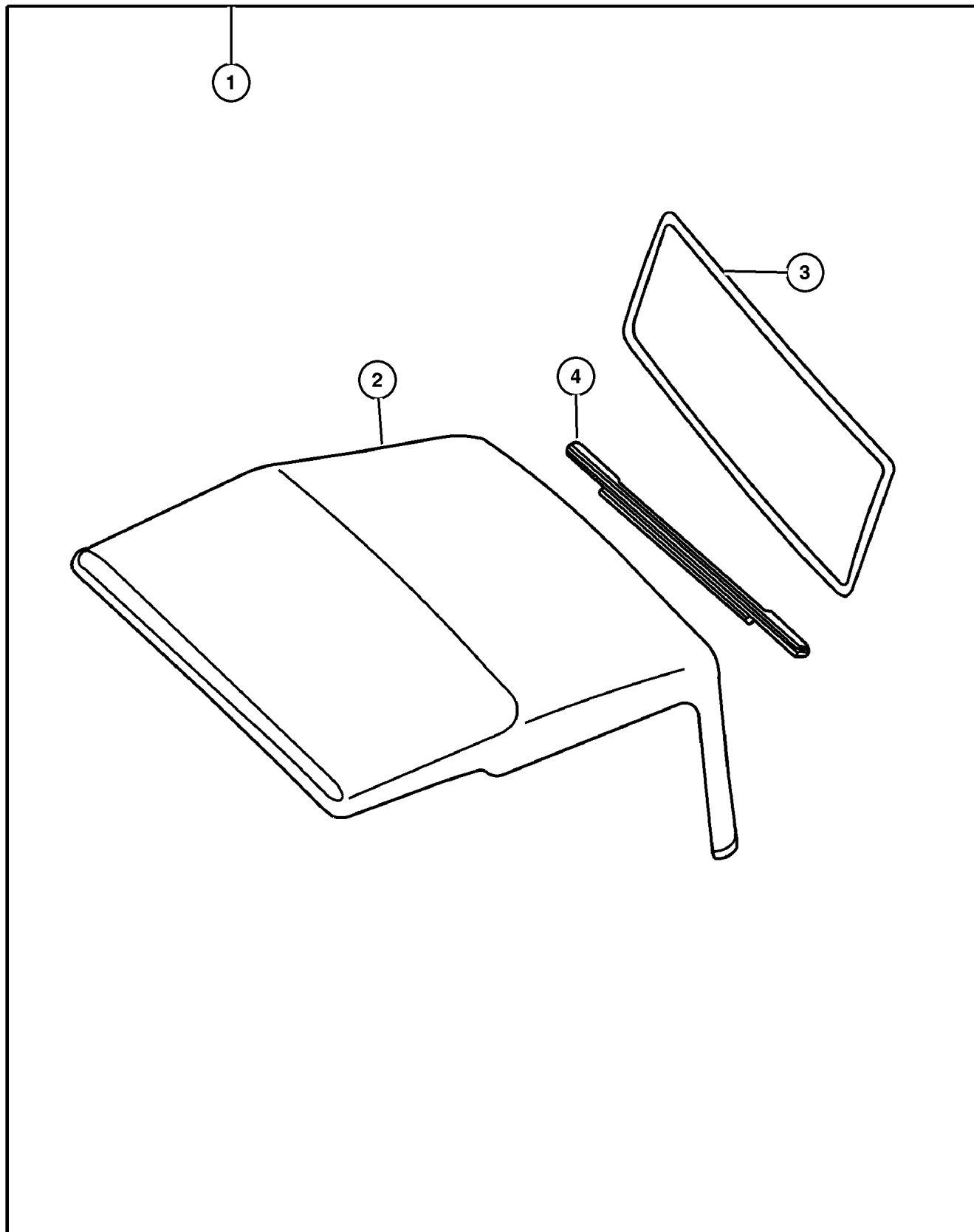
JEEP WRANGLER (TJ)

SERIES	LINE	BODY	ENGINE	TRANSMISSION
H = Sport	J = Wrangler 4WD	77 = 93.4 WB	EPE, EP0 = 2.5L Power Tech	DGG, DGD = 32RH 3 Spd. Auto.
L = SE	U = Wrangler 4WD (RHD)		ERH, ER0 = 4.0L Power Tech	DDQ = 5 Spd. Manual
M = X				DDD = 5 Speed HD Manual
P = Sahara				DG0 = Auto. Trans.
				DBB = Manual Trans.

AR = Use as required - = Non illustrated part # = New this model year

January 26, 2004

**Top Kit - Soft Hardtop Replacement
Figure 001-320**



ITEM	PART NUMBER	QTY	LINE	SERIES	BODY	ENGINE	TRANS	TRIM	DESCRIPTION
NOTE: Half door window Kits must be ordered separately									
1									TOP KIT, Soft - Hardtop Replacement
	8220 2125	1	J		77				Black
	8220 4553	1	J		77				Tan
	8220 6623	1	J		77				Black, Premium Sail Cloth
	8220 6624	1	J		77				Tan, Premium Sail Cloth
2									COVER, Soft Top
	5HM35 SX9AA	1							Black
	5HM35 VK9AA	1							Tan
3									WINDOW, Tailgate
	5HM37 SX9AA	1							Black
	5HM37 VK9AA	1							Tan
4	55176 736AB	1							RETAINER, Soft Top Rail
-5									WINDOW KIT, Door - Front, Use with half door
	8220 2129	1	J		77				Black Denim
	8220 4554	1	J		77				Tan
	8220 6625	1	J		77				Black Denim Sail Cloth Material
	8220 6626	1	J		77				Tan Sail Cloth Material

JEEP WRANGLER (TJ)

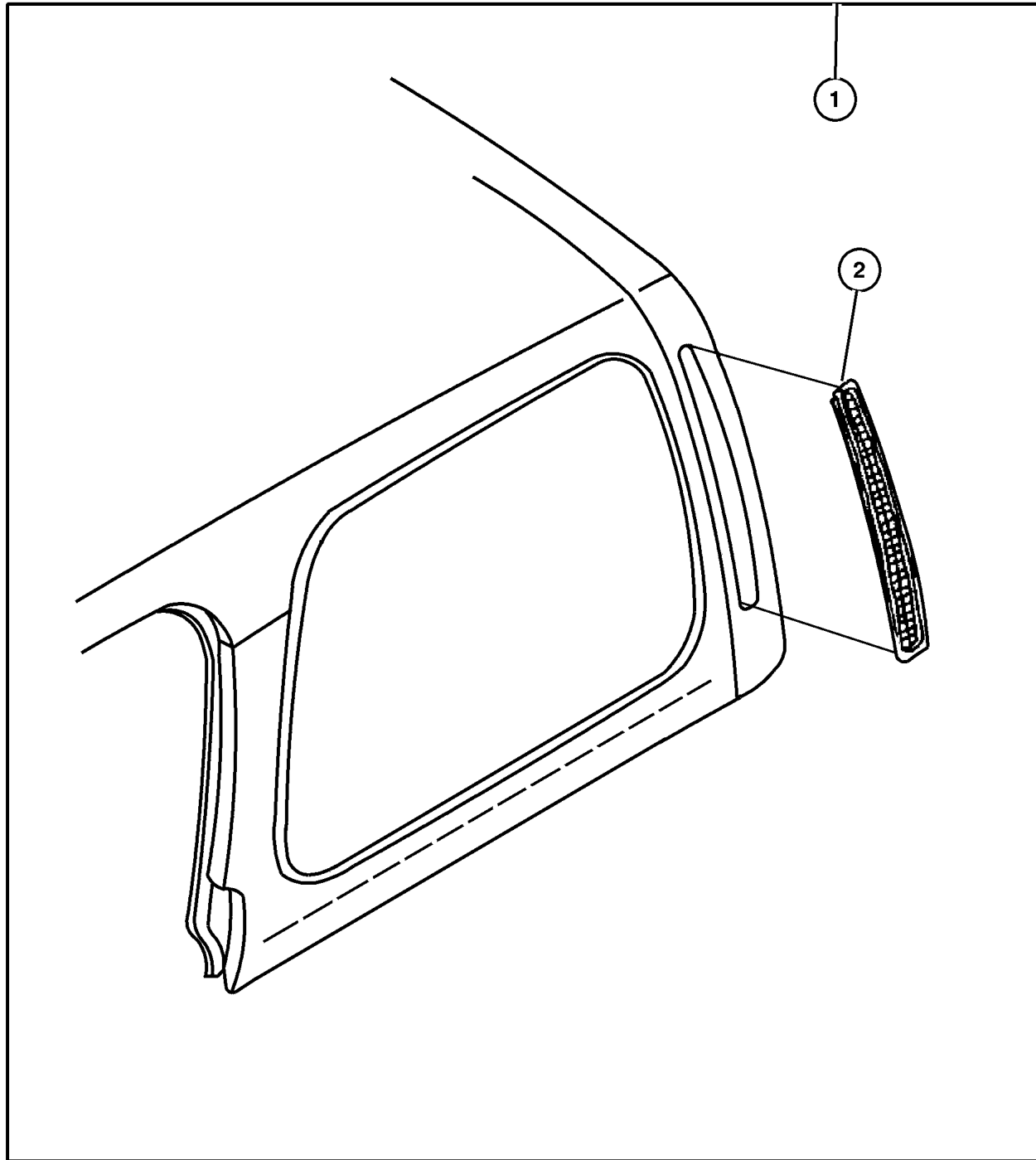
SERIES	LINE	BODY	ENGINE	TRANSMISSION
H = Sport	J = Wrangler 4WD	77 = 93.4 WB	EPE, EP0 = 2.5L Power Tech	DGG, DGD = 32RH 3 Spd. Auto.
L = SE	U = Wrangler 4WD (RHD)		ERH, ER0 = 4.0L Power Tech	DDQ = 5 Spd. Manual
M = X				DDD = 5 Speed HD Manual
P = Sahara				DG0 = Auto. Trans.
				DBB = Manual Trans.

AR = Use as required - = Non illustrated part # = New this model year

January 26, 2004

Hardtop Exhauster
Figure 001-322

ITEM	PART NUMBER	QTY	LINE	SERIES	BODY	ENGINE	TRANS	TRIM	DESCRIPTION
1									TOP, Hard
	8220 3607	1	J		77				Black
	8220 4706	1	J		77				Dark Tan
2									EXHAUSTER, Front Door
	5503 6306	1							Right
	5503 6307	1							Left



JEEP WRANGLER (TJ)

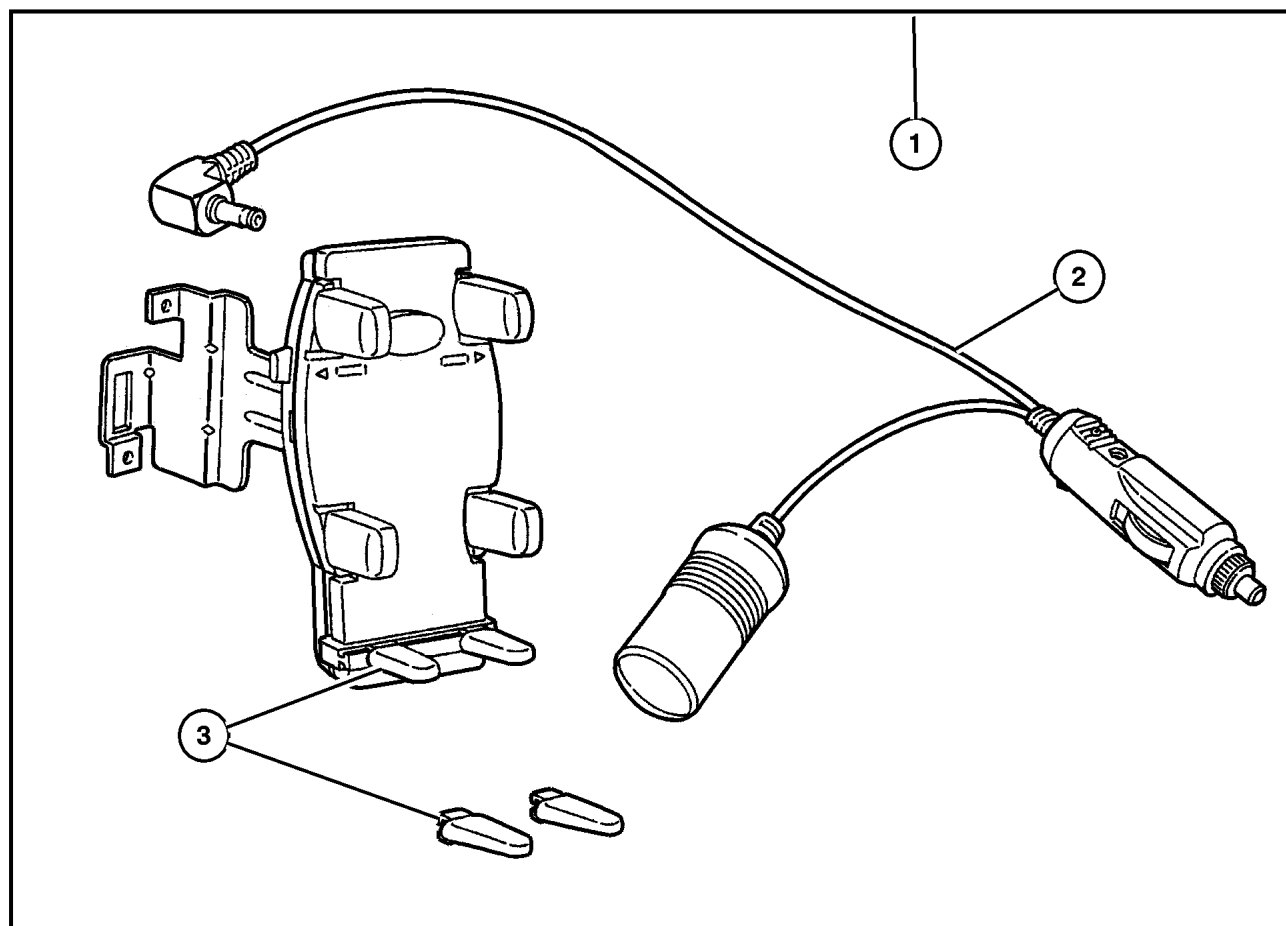
SERIES	LINE	BODY	ENGINE	TRANSMISSION
H = Sport	J = Wrangler 4WD	77 = 93.4 WB	EPE, EP0 = 2.5L Power Tech	DGG, DGD = 32RH 3 Spd. Auto.
L = SE	U = Wrangler 4WD (RHD)		ERH, ER0 = 4.0L Power Tech	DDQ = 5 Spd. Manual
M = X				DDD = 5 Speed HD Manual
P = Sahara				DG0 = Auto. Trans.
				DBB = Manual Trans.

AR = Use as required - = Non illustrated part # = New this model year

January 26, 2004

**Mounting Kit - Cell Phone
Figure 001-330**

ITEM	PART NUMBER	QTY	LINE	SERIES	BODY	ENGINE	TRANS	TRIM	DESCRIPTION
1	8220 5275	1							MOUNTING KIT, Cellular Phone
2	5016 536AA	1			77				CORD, Cellular Phone, 18 inches in length.Has 'Y'Accessory feed to plug in another 12V Accessory.
3	5018 103AA	1							HARDWARE KIT, Accessory, Consists of: 1 set of Long and 1 set of Short Support Feet.



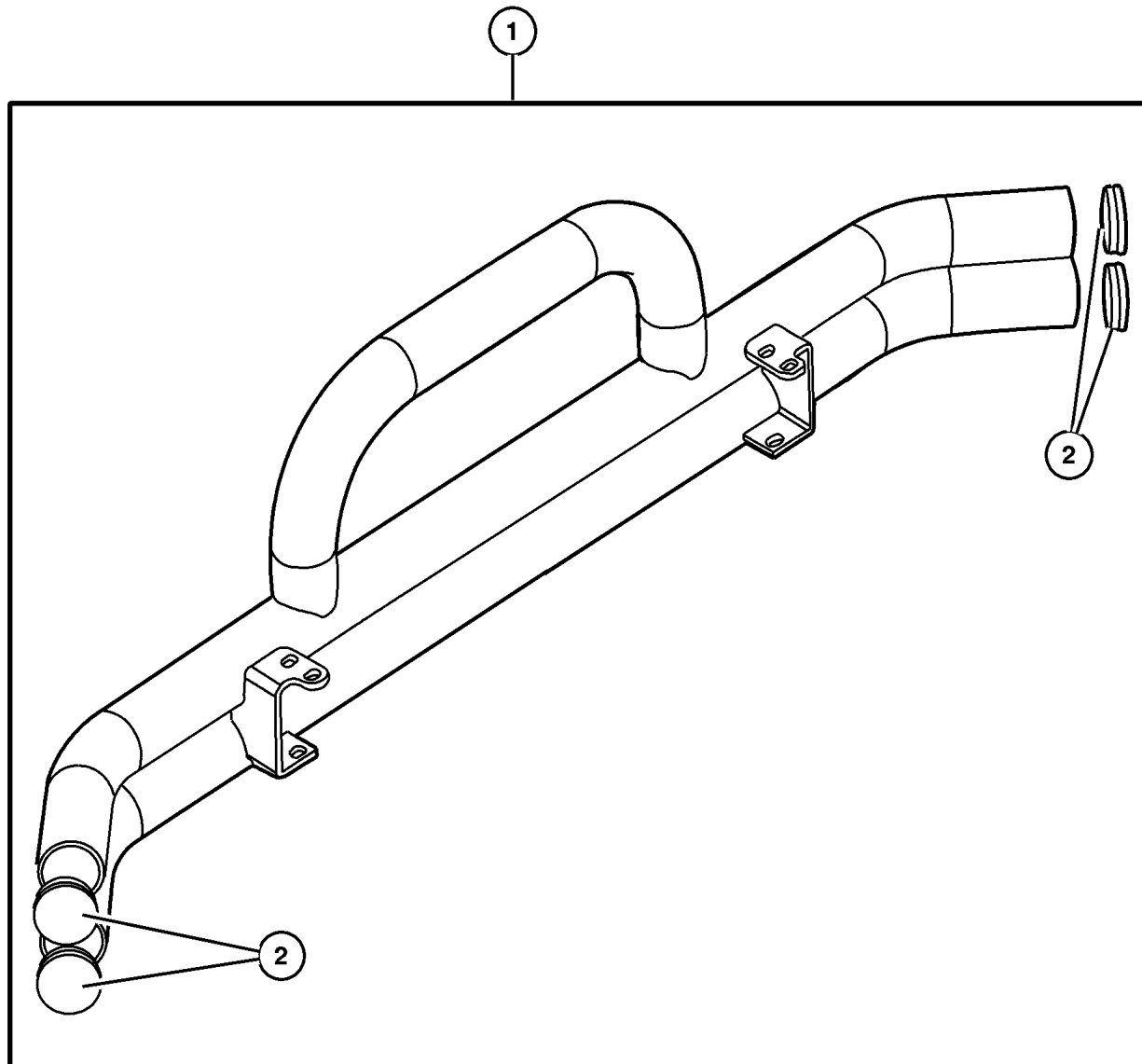
JEEP WRANGLER (TJ)			
SERIES	LINE	BODY	ENGINE
H = Sport	J = Wrangler 4WD	77 = 93.4 WB	EPE, EP0 = 2.5L Power Tech
L = SE	U = Wrangler 4WD (RHD)		ERH, ER0 = 4.0L Power Tech
M = X			
P = Sahara			
			TRANSMISSION
			DGG, DGD = 32RH 3 Spd. Auto.
			DDQ = 5 Spd. Manual
			DDD = 5 Speed HD Manual
			DG0 = Auto. Trans.
			DBB = Manual Trans.

AR = Use as required - = Non illustrated part # = New this model year

January 26, 2004

Bumper Kit- Front Tubular
Figure 001-410

ITEM	PART NUMBER	QTY	LINE	SERIES	BODY	ENGINE	TRANS	TRIM	DESCRIPTION
1									BUMPER KIT, Tubular
	8220 2173	1	J		77				Black painted Steel
	8220 4269	1	J		77				Chromed Steel
	8220 2175	1	J		77				Black anodized Aluminum
2									END CAP, Bumper
	4897 576AA	1	J		77				Use for Kits 82202173 and 82204269
	4897 577AA	1	J		77				Use for Kit 82202175



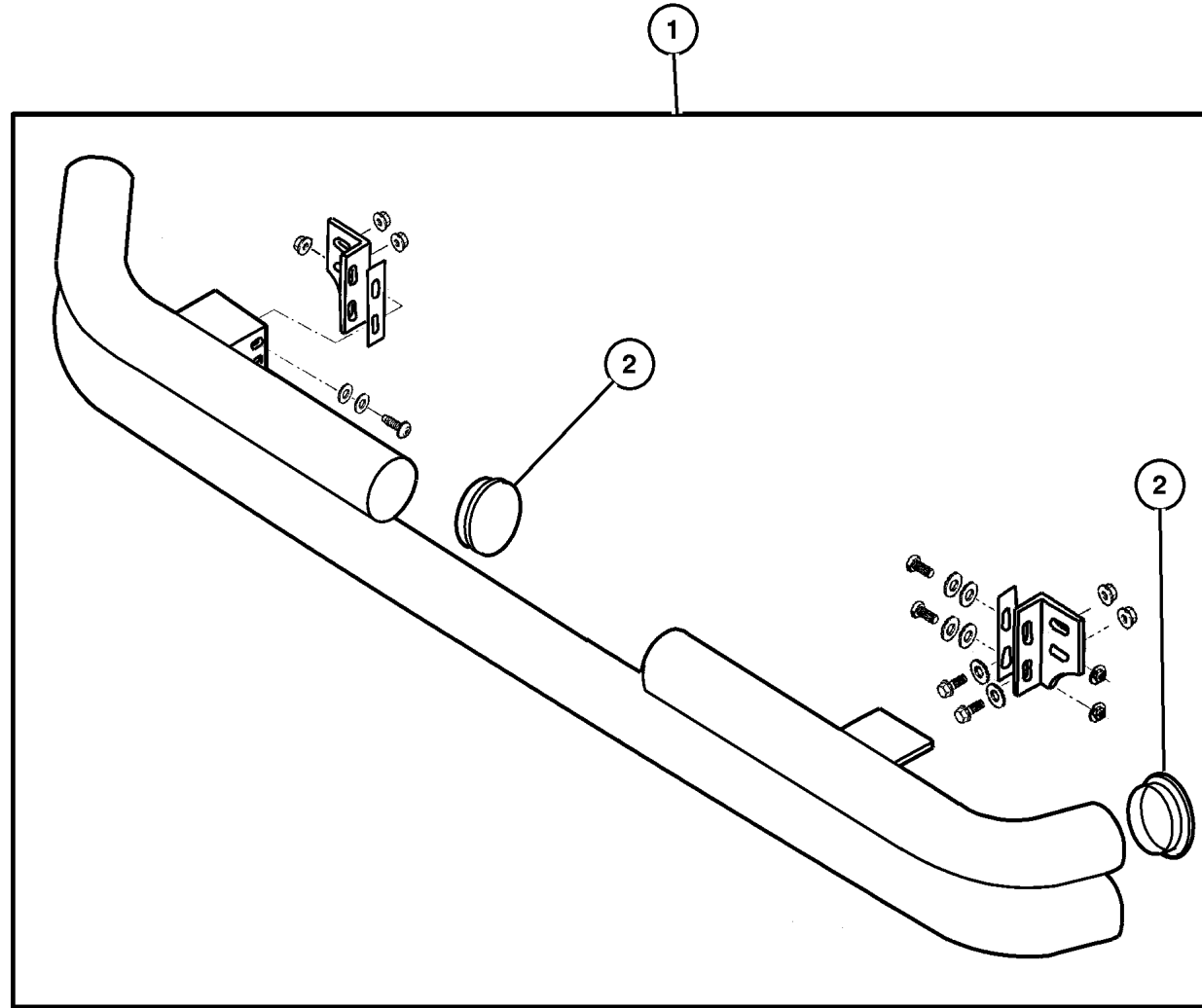
JEEP WRANGLER (TJ)				
SERIES	LINE	BODY	ENGINE	TRANSMISSION
H = Sport	J = Wrangler 4WD	77 = 93.4 WB	EPE, EP0 = 2.5L Power Tech	DGG, DGD = 32RH 3 Spd. Auto.
L = SE	U = Wrangler 4WD (RHD)		ERH, ER0 = 4.0L Power Tech	DDQ = 5 Spd. Manual
M = X				DDD = 5 Speed HD Manual
P = Sahara				DG0 = Auto. Trans.
				DBB = Manual Trans.

AR = Use as required - = Non illustrated part # = New this model year

January 26, 2004

Bumper Kit - Rear Tubular
Figure 001-420

ITEM	PART NUMBER	QTY	LINE	SERIES	BODY	ENGINE	TRANS	TRIM	DESCRIPTION
NOTE; Total of 6 End Caps are Required.									
1	8220 3290	1	J		77				BUMPER KIT, Tubular-Rear Black painted Steel
	8220 3294	1	J		77				Black anodized Aluminum
	8220 3295	1	J		77				Chromed Steel
2	4897 576AA	1	J		77				END CAP, Bumper Used for Kits 82203290 and 82203295
	4897 577AA	1	J		77				Used for Kit 882203294



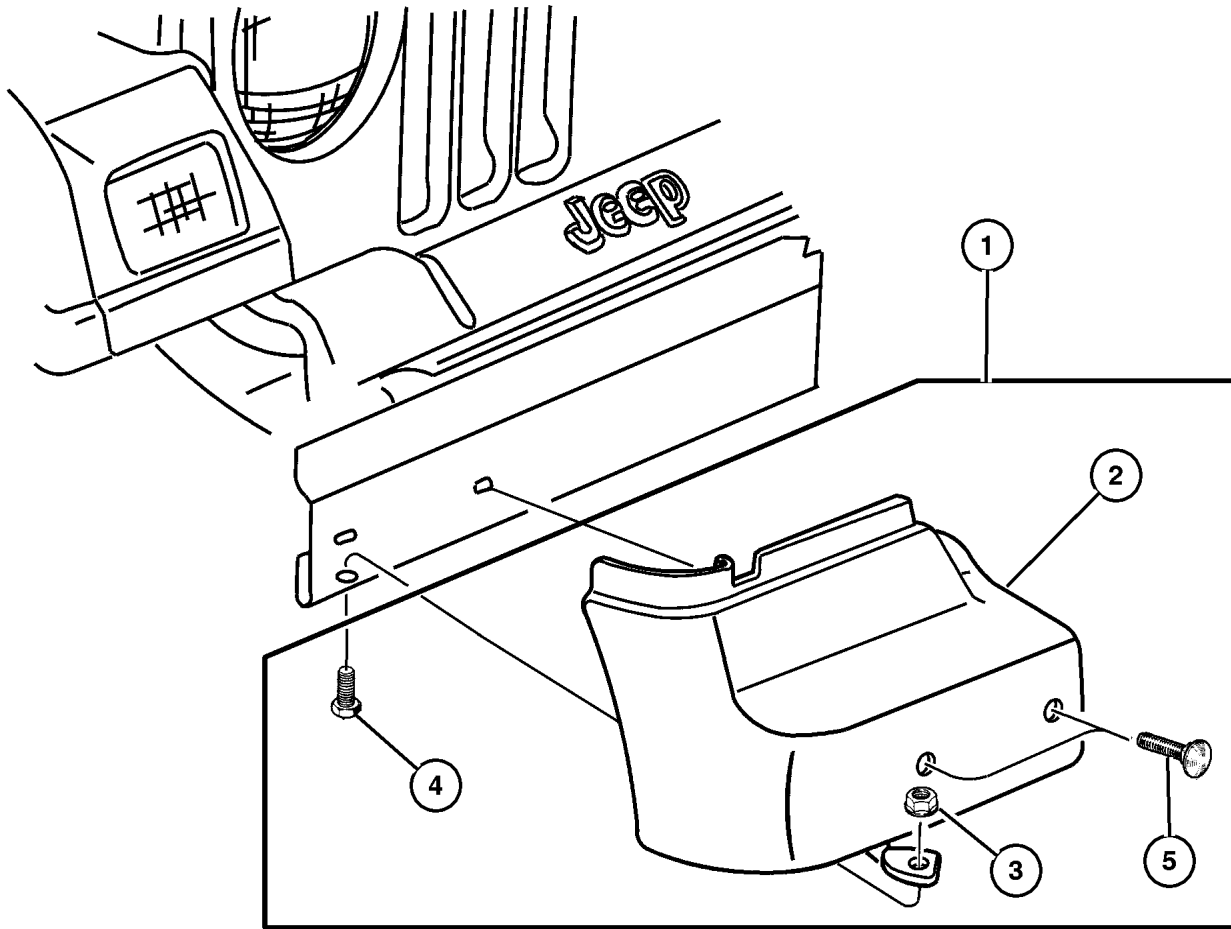
JEEP WRANGLER (TJ)				
SERIES	LINE	BODY	ENGINE	TRANSMISSION
H = Sport	J = Wrangler 4WD	77 = 93.4 WB	EPE, EP0 = 2.5L Power Tech	DGG, DGD = 32RH 3 Spd. Auto.
L = SE	U = Wrangler 4WD (RHD)		ERH, ER0 = 4.0L Power Tech	DDQ = 5 Spd. Manual
M = X				DDD = 5 Speed HD Manual
P = Sahara				DG0 = Auto. Trans.
				DBB = Manual Trans.

AR = Use as required - = Non illustrated part # = New this model year

January 26, 2004

**Extension Kit - Bumper Front
Figure 001-430**

ITEM	PART NUMBER	QTY	LINE	SERIES	BODY	ENGINE	TRANS	TRIM	DESCRIPTION
1	8220 2378	1	J		77				EXTENSION PACKAGE, Front
2									Bumper COVER, Bumper
	55155 668AB	1							Right
	55155 669AB	1							Left
3	6101 447	4							NUT
4	6504 212	2							SCREW, Large Round Washer Head Lock, M6x1.00x20.00
5	6504 723	4							BOLT



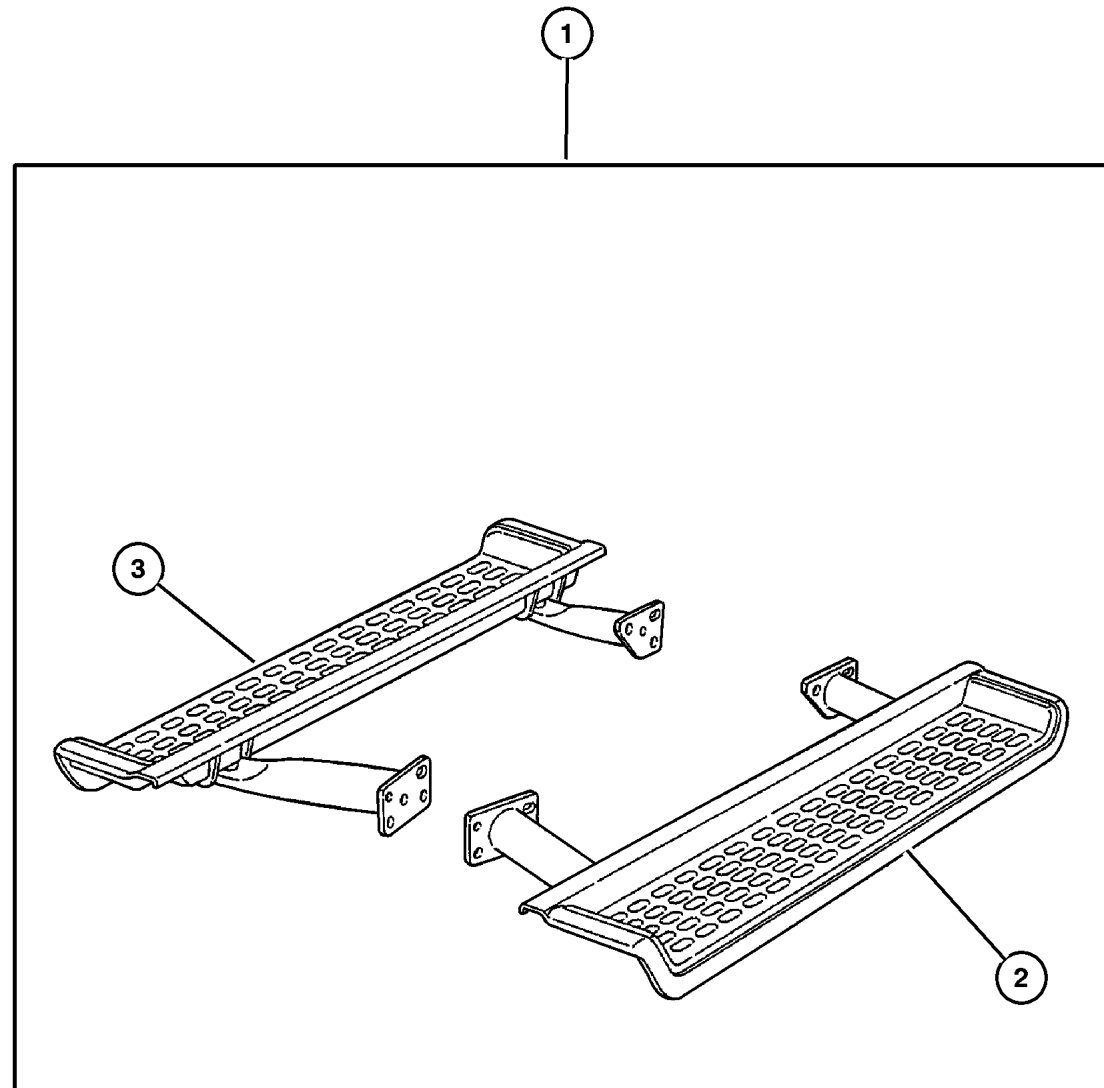
JEEP WRANGLER (TJ)				
SERIES	LINE	BODY	ENGINE	TRANSMISSION
H = Sport	J = Wrangler 4WD	77 = 93.4 WB	EPE, EP0 = 2.5L Power Tech	DGG, DGD = 32RH 3 Spd. Auto.
L = SE	U = Wrangler 4WD (RHD)		ERH, ER0 = 4.0L Power Tech	DDQ = 5 Spd. Manual
M = X				DDD = 5 Speed HD Manual
P = Sahara				DG0 = Auto. Trans.
				DBB = Manual Trans.

AR = Use as required - = Non illustrated part # = New this model year

January 26, 2004

Side Step Kit Figure 001-440

ITEM	PART NUMBER	QTY	LINE	SERIES	BODY	ENGINE	TRANS	TRIM	DESCRIPTION
1	8220 6456	1	J		77				STEP PACKAGE, Side
2	55156 200AB	1							STEP PAD, Side Step
3	55156 201AB	1							STEP PAD, Side Step
-4	5066 240AA	1	J		77				BOLT, M Bolt



JEEP WRANGLER (TJ)

SERIES
H = Sport
L = SE
M = X
P = Sahara

LINE
J = Wrangler 4WD
U = Wrangler 4WD (RHD)

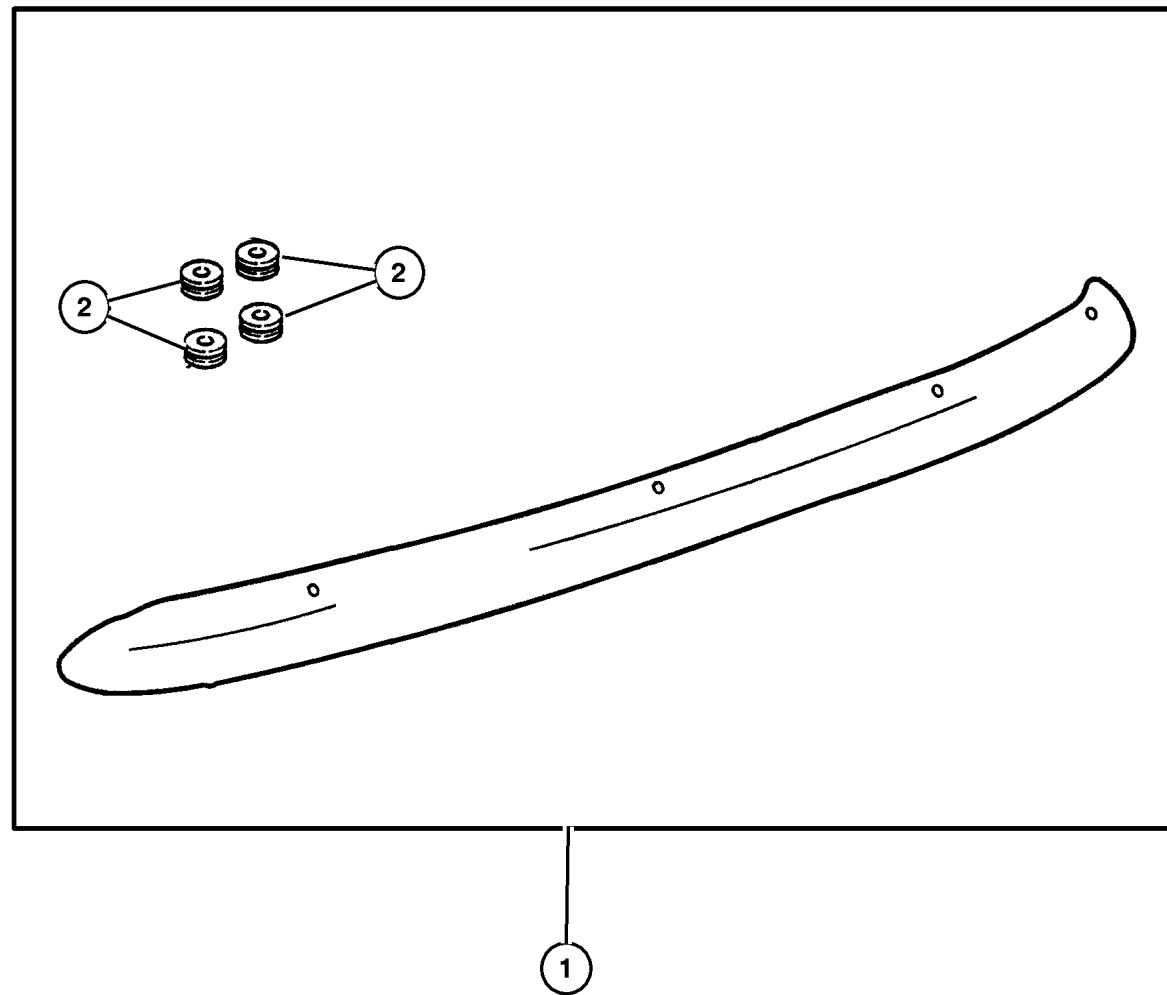
BODY
77 = 93.4 WB

ENGINE
EPE, EP0 = 2.5L Power Tech
ERH, ER0 = 4.0L Power Tech

TRANSMISSION
DGG, DGD = 32RH 3 Spd. Auto.
DDQ = 5 Spd. Manual
DDD = 5 Speed HD Manual
DG0 = Auto. Trans.
DBB = Manual Trans.

Shield Kit - Air Front
Figure 001-510

ITEM	PART NUMBER	QTY	LINE	SERIES	BODY	ENGINE	TRANS	TRIM	DESCRIPTION
1	8220 2160	1	J		77				SHIELD KIT, Air - Front
2	5014 754AA	1	J		77				SPACER, Air Deflector

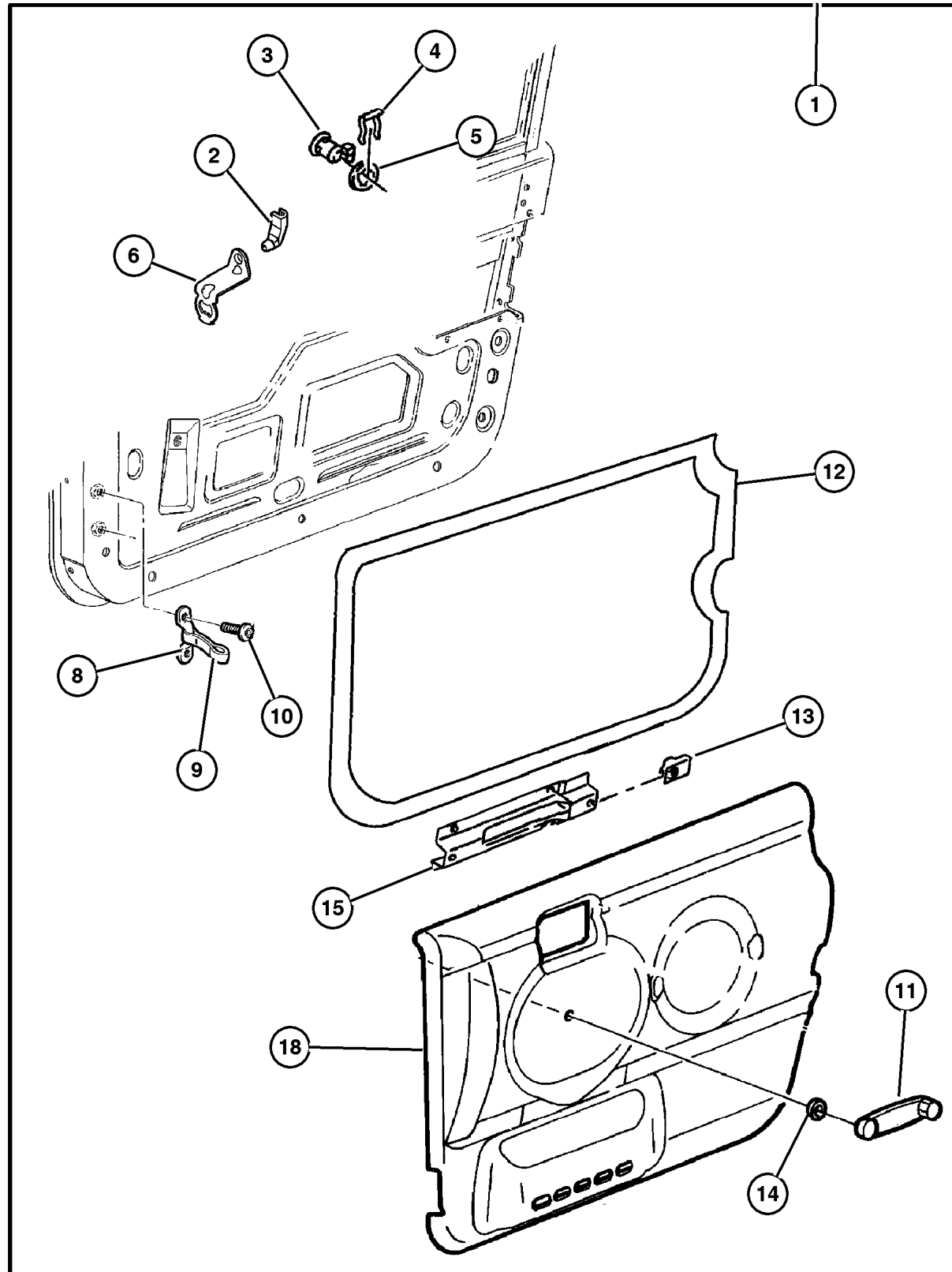


JEEP WRANGLER (TJ)				
SERIES	LINE	BODY	ENGINE	TRANSMISSION
H = Sport	J = Wrangler 4WD	77 = 93.4 WB	EPE, EP0 = 2.5L Power Tech	DGG, DGD = 32RH 3 Spd. Auto.
L = SE	U = Wrangler 4WD (RHD)		ERH, ER0 = 4.0L Power Tech	DDQ = 5 Spd. Manual
M = X				DDD = 5 Speed HD Manual
P = Sahara				DG0 = Auto. Trans.
				DBB = Manual Trans.

AR = Use as required - = Non illustrated part # = New this model year

January 26, 2004

Trim Kit - Door
Figure 001-520



ITEM	PART NUMBER	QTY	LINE	SERIES	BODY	ENGINE	TRANS	TRIM	DESCRIPTION
1									TRIM PACKAGE, Front Door
	8220 5113	1	J		77				Agate
	8220 5114	1	J		77				Camel
2									CLIP, Latch
	4658 444	1							Purple, Right
	4658 445	1							Orange, Left
3	4778 123	1	J		77				CYLINDER, Door Lock
4	#55176 401AC	2							RETAINER, Door Lock Cylinder
5	5507 4799	1	J		77				GASKET, Door Lock Cylinder, Black
6	5507 6307	1							LEVER, Door Lock
-7	6504 417	4							NUT, Hex, M8x1.25
8	5501 3666	2							FOOTMAN LOOP, Hold Down
9	55176 339AB	2							CHECK, Front Door
10	6036 102AA	4							SCREW, .19-24.50
11	FW80 PX9	2							HANDLE, Window Regulator
12									WATERSHIELD, Front Door
	#55175 786AG	1							Right
	#55175 787AG	1							Left
13	6504 993AA	4							NUT
14	5507 6218	2							SPACER, Door Handle
15	55175 848AC	2							BRACKET, Grab Handle
-16	6504 617	2							SCREW, M4.2-1.41x13
-17	3420 1872	4							NUT, Snap In, M4.2 x 1.41
18									PANEL, Door Trim
	5DY66 1K5AD	1							Camel, Right
	5DY67 1K5AD	1							Camel, Left
	5DY66 LAZAD	1							Agate, Right
	5DY67 LAZAD	1							Agate, Left

JEEP WRANGLER (TJ)

SERIES
H = Sport
L = SE
M = X
P = Sahara

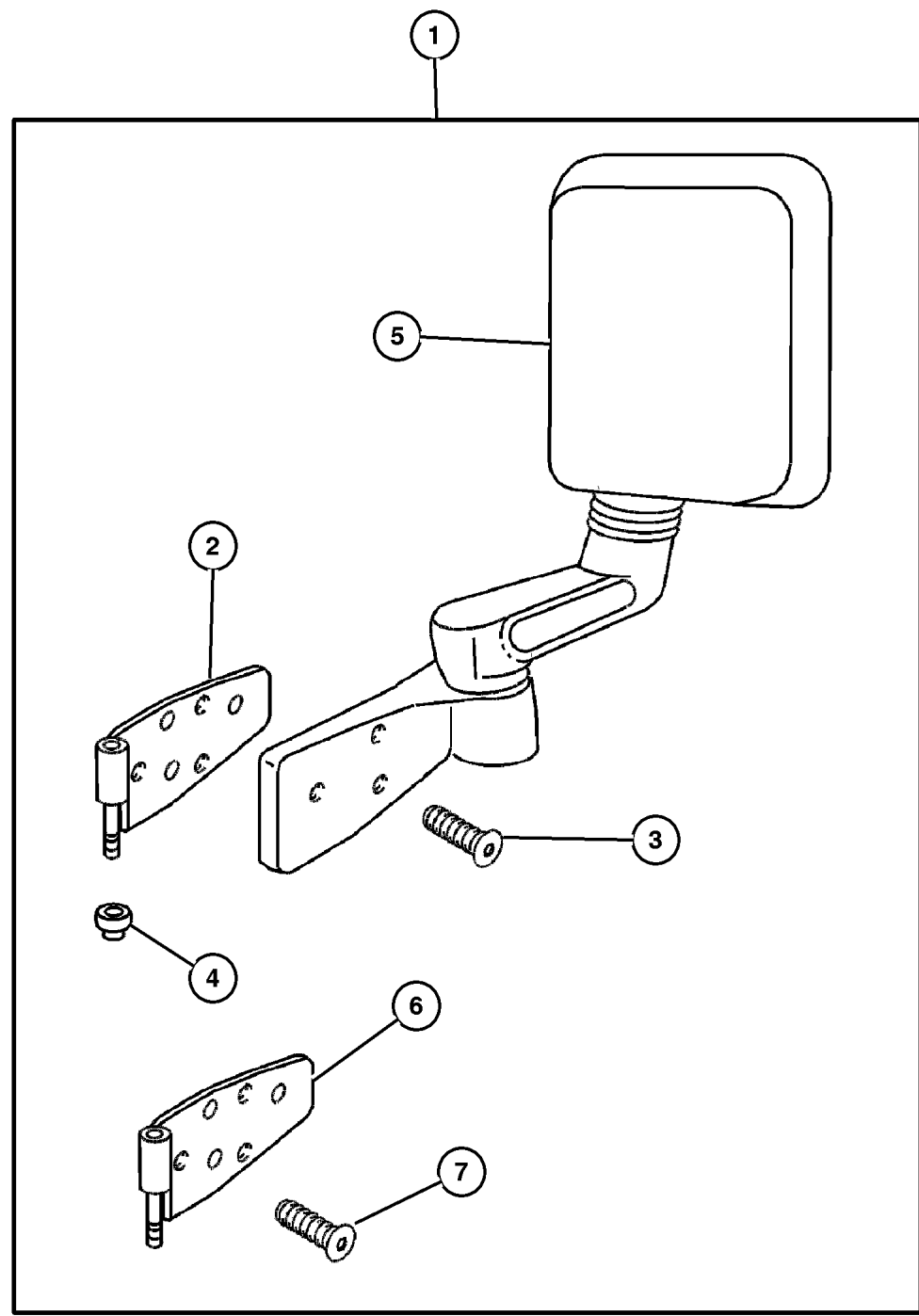
LINE
J = Wrangler 4WD
U = Wrangler 4WD (RHD)

BODY
77 = 93.4 WB

ENGINE
EPE, EP0 = 2.5L Power Tech
ERH, ER0 = 4.0L Power Tech

TRANSMISSION
DGG, DGD = 32RH 3 Spd. Auto.
DDQ = 5 Spd. Manual
DDD = 5 Speed HD Manual
DG0 = Auto. Trans.
DBB = Manual Trans.

Hardware Package - Door
Figure 001-540



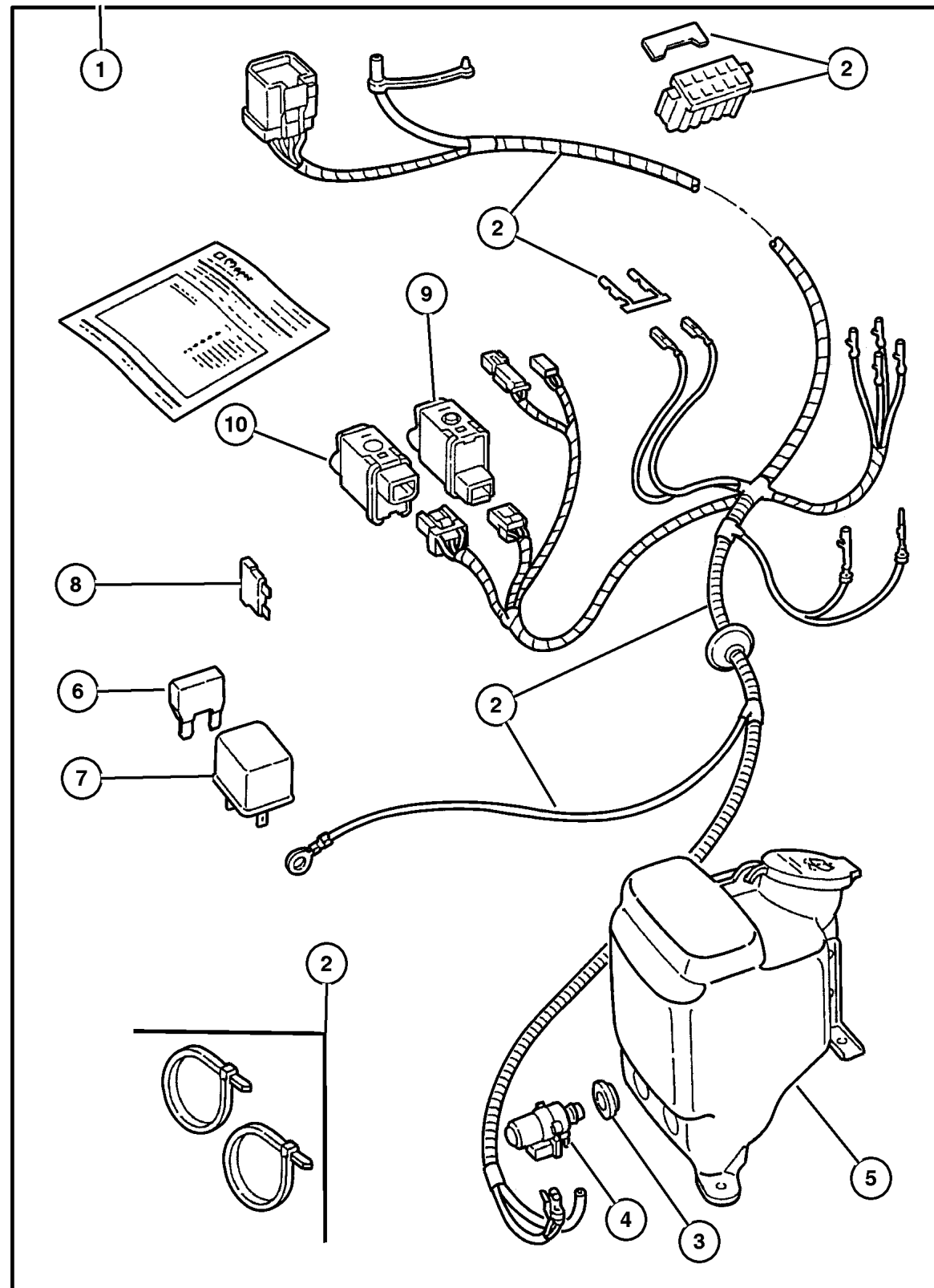
ITEM	PART NUMBER	QTY	LINE	SERIES	BODY	ENGINE	TRANS	TRIM	DESCRIPTION
1	8220 3488	1	J		77				HARDWARE PACKAGE, Door, Hinge And Mirror
2	5517 6368	1							HINGE, Door Half Upper Right
	5517 6369	1							Upper Left
3	6034 566	6							SCREW, Tapping Flange Head, .25-20x.875
4	6504 417	4							NUT, Hex, M8x1.25
5									MIRROR, Outside Rearview
	5515 4882	1	J						Right
	5515 4883	1	J						Left
6									HINGE, Door Half Lower Right
	5517 6366	1							Lower Left
	5517 6367	1							Lower Left
7	6035 757	4							SCREW

JEEP WRANGLER (TJ)
 SERIES LINE BODY ENGINE TRANSMISSION
 H = Sport J = Wrangler 4WD 77 = 93.4 WB EPE, EP0 = 2.5L Power Tech DGG, DGD = 32RH 3 Spd. Auto.
 L = SE U = Wrangler 4WD (RHD) ERH, ER0 = 4.0L Power Tech DDQ = 5 Spd. Manual
 M = X DDD = 5 Speed HD Manual
 P = Sahara DG0 = Auto. Trans.
 DBB = Manual Trans.

AR = Use as required - = Non illustrated part # = New this model year

January 26, 2004

Hardtop Wiring Kit Figure 001-550



ITEM	PART NUMBER	QTY	LINE	SERIES	BODY	ENGINE	TRANS	TRIM	DESCRIPTION
1	8220 7078	1	J		77				WIRING PACKAGE, Enclosure
2									WIRING KIT, Enclosure, Serviced in package, (NOT SERVICED) (Not Serviced)
3	5013 755AA	2							GROMMET, Washer Reservoir
4	4797 695	2							PUMP, Washer, Windshield
5	4874 393	1							RESERVOIR, Washer
6	00MA X40	1	J		77				FUSE, Maxi, 40 AMP, Amber
7	4638 094	1							RELAY PACKAGE, Electrical
8	00AT M10	1							FUSE, Mini, 10 AMP, Red
9	5600 7250	1							SWITCH, Electric Back Light
10	5600 7249	1							SWITCH, Wiper and Washer
-11	6102 077AA	1							FUSE CARTRIDGE, 40 Amp

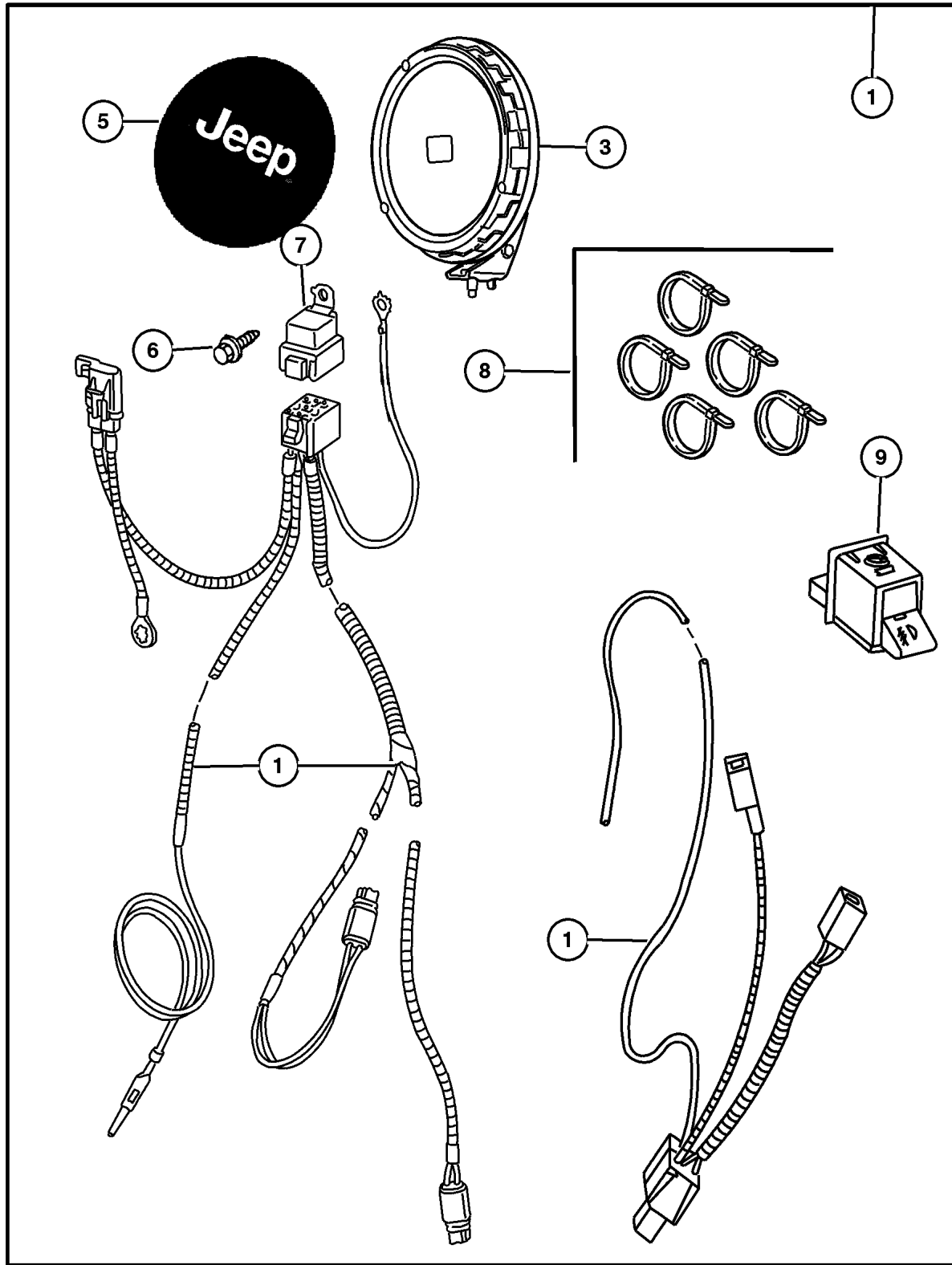
JEEP WRANGLER (TJ)

SERIES	LINE	BODY	ENGINE	TRANSMISSION
H = Sport	J = Wrangler 4WD	77 = 93.4 WB	EPE, EP0 = 2.5L Power Tech	DGG, DGD = 32RH 3 Spd. Auto.
L = SE	U = Wrangler 4WD (RHD)		ERH, ER0 = 4.0L Power Tech	DDQ = 5 Spd. Manual
M = X				DDD = 5 Speed HD Manual
P = Sahara				DG0 = Auto. Trans.
				DBB = Manual Trans.

AR = Use as required - = Non illustrated part # = New this model year

January 26, 2004

Light Kit - Fog
Figure 001-610



ITEM	PART NUMBER	QTY	LINE	SERIES	BODY	ENGINE	TRANS	TRIM	DESCRIPTION
NOTE:									
Use Bracket Kit #82202610 for Front Tube Bumpers									
Wiring may need to be modified to fit application									
1	8220 6505	1	J		77				LIGHT PACKAGE, Fog
-2	4864 773	1	J						RETAINER, Fog Lamp Bulb
3	55055 095AF	2	J						LAMP, Fog
-4	L00H 355W	1	J						BULB, Fog Lamp, H-3 55 WATT
5	8220 2586	1			77				COVER KIT, Light
6	0154 552	1							SCREW, Hex Head, .190-16x.625
7	4638 271	1	J		77				RELAY PACKAGE, Electrical
8	4641 780	2							STRAP, Tie
9	5080 861AA	1	J		77				SWITCH, Fog Lamp
-10									WIRING KIT, Fog Light, Serviced in Package, (NOT SERVICED) (Not Serviced)

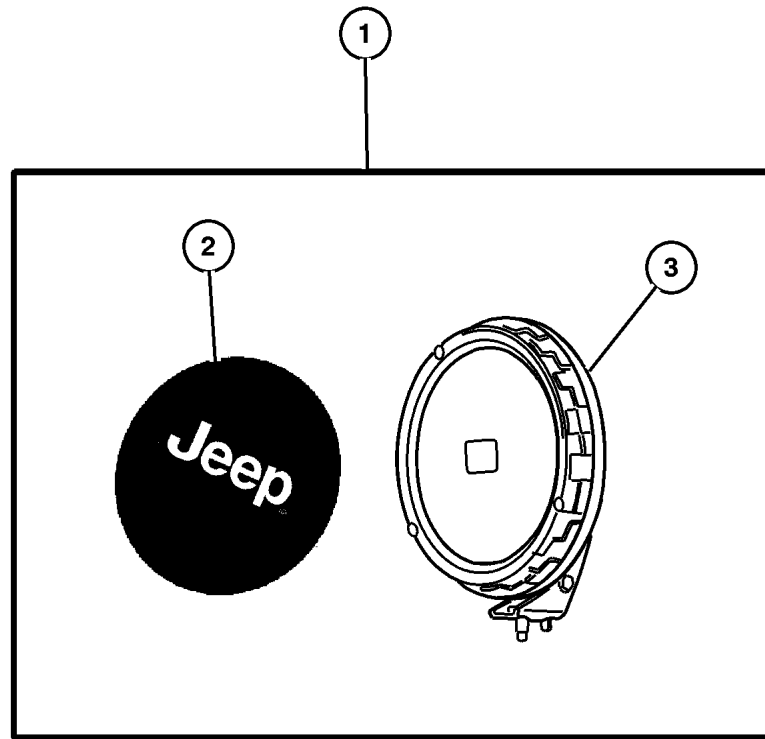
JEEP WRANGLER (TJ)		BODY	ENGINE	TRANSMISSION
SERIES	LINE	77 = 93.4 WB	EPE, EP0 = 2.5L Power Tech	DGG, DGD = 32RH 3 Spd. Auto.
H = Sport	J = Wrangler 4WD		ERH, ER0 = 4.0L Power Tech	DDQ = 5 Spd. Manual
L = SE	U = Wrangler 4WD (RHD)			DDD = 5 Speed HD Manual
M = X				DG0 = Auto. Trans.
P = Sahara				DBB = Manual Trans.

AR = Use as required - = Non illustrated part # = New this model year

January 26, 2004

Light Kit - Off Road
Figure 001-620

ITEM	PART NUMBER	QTY	LINE	SERIES	BODY	ENGINE	TRANS	TRIM	DESCRIPTION
1	8220 2529	1	J		77				LIGHT PACKAGE, Off Road, 6' Round
2	8220 2586	1			77				COVER KIT, Light
3	8220 2528	1	J		77				LIGHT KIT, Off Road



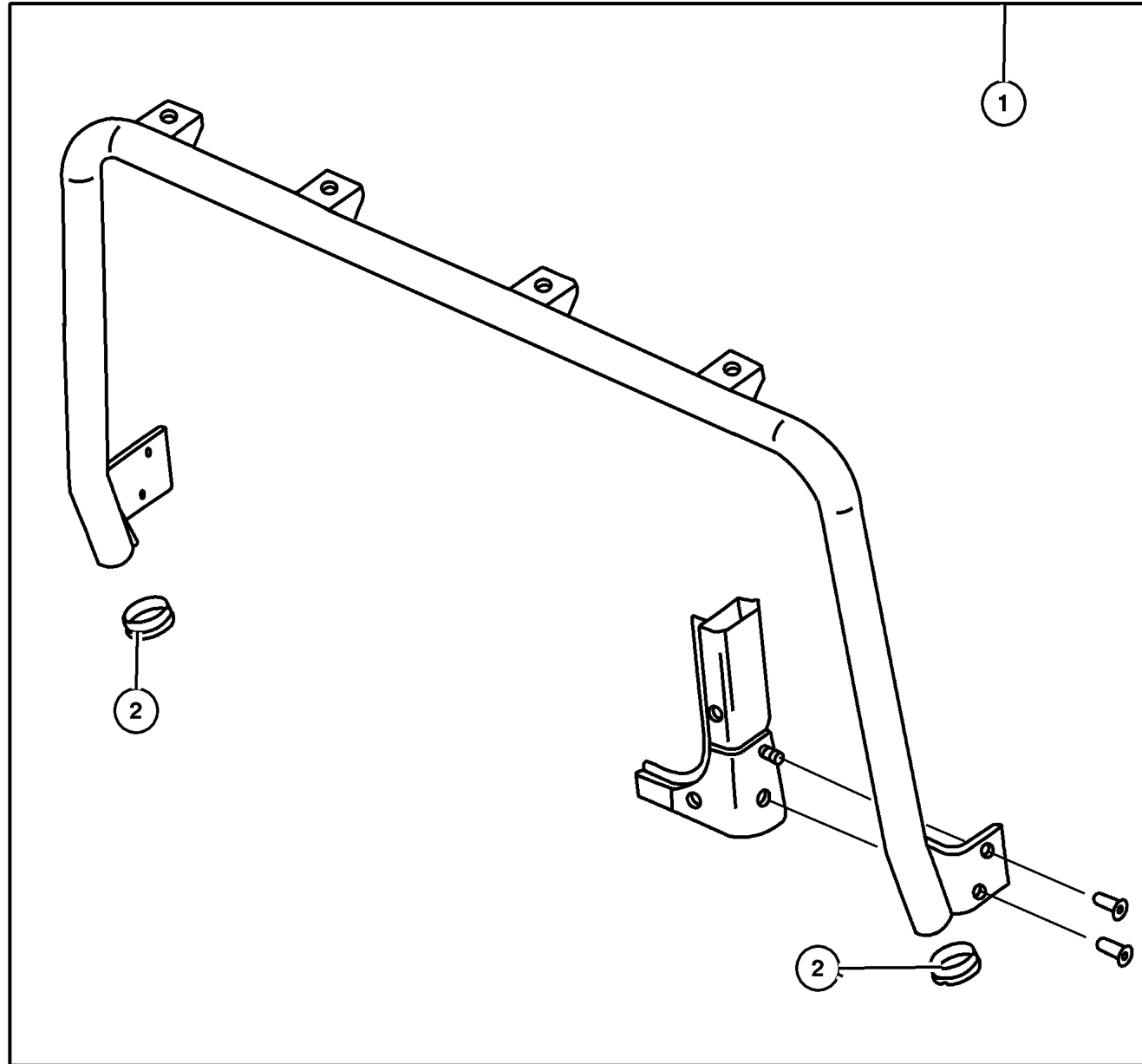
JEEP WRANGLER (TJ)				
SERIES	LINE	BODY	ENGINE	TRANSMISSION
H = Sport	J = Wrangler 4WD	77 = 93.4 WB	EPE, EP0 = 2.5L Power Tech	DGG, DGD = 32RH 3 Spd. Auto.
L = SE	U = Wrangler 4WD (RHD)		ERH, ER0 = 4.0L Power Tech	DDQ = 5 Spd. Manual
M = X				DDD = 5 Speed HD Manual
P = Sahara				DG0 = Auto. Trans.
				DBB = Manual Trans.

AR = Use as required - = Non illustrated part # = New this model year

January 26, 2004

Bar Kit - Light Windshield
Figure 001-630

ITEM	PART NUMBER	QTY	LINE	SERIES	BODY	ENGINE	TRANS	TRIM	DESCRIPTION
NOTE: Windshield mount holds up to four lights. Includes wire harness. Windshield cannot be lowered.									
1	8220 7174	1	J		77				BAR KIT, Light-Windshield Steel, Painted Black
	8220 7175	1	J		77				Aluminum, Black Anodized
	8220 7176	1	J		77				Steel, Chromed
2	4897 579AA	1	J		77				END CAP, Light Bar Use with 82207174 and 82207176
	4897 580AA	1	J		77				Use with 82207175

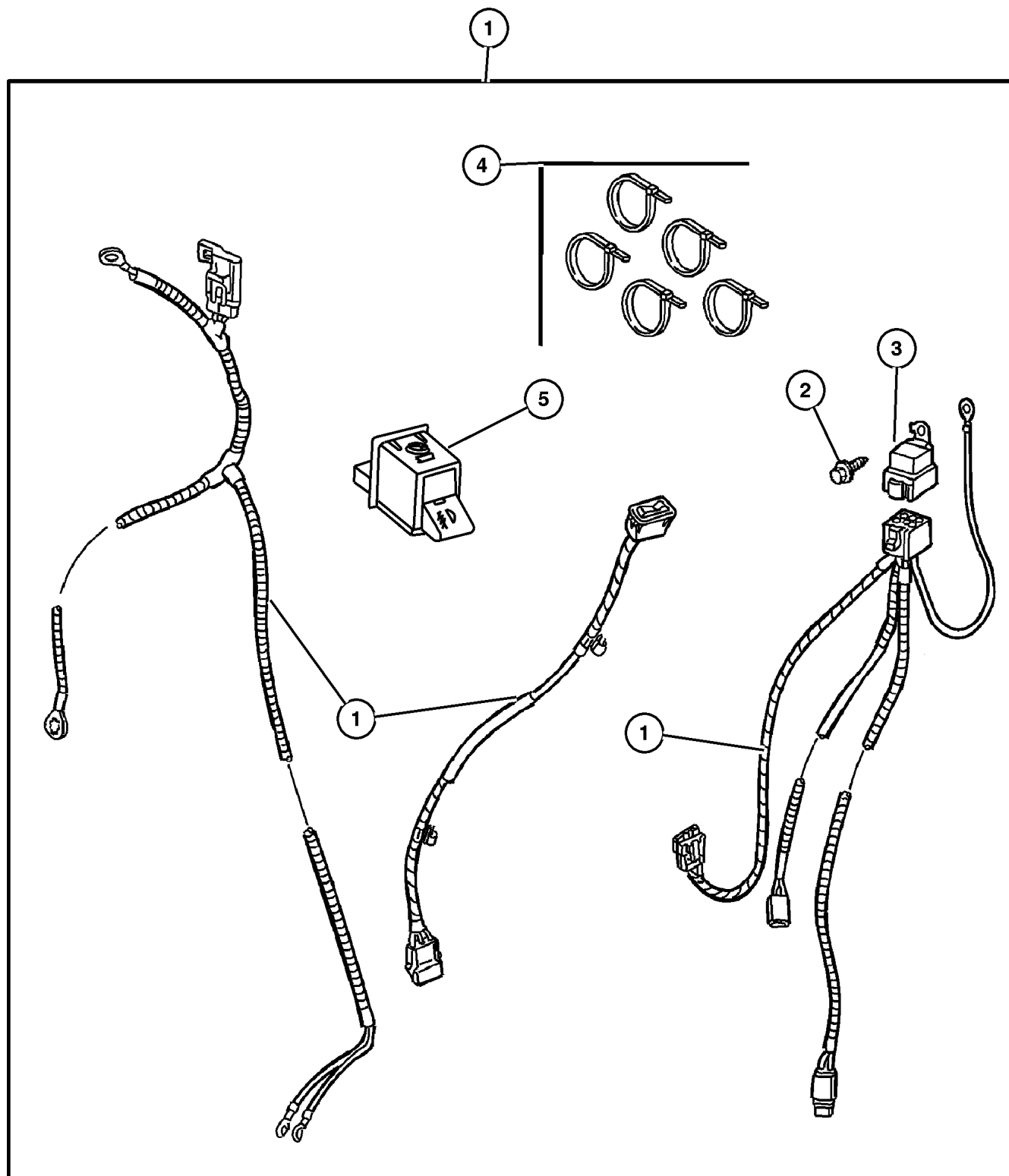


JEEP WRANGLER (TJ)				
SERIES	LINE	BODY	ENGINE	TRANSMISSION
H = Sport	J = Wrangler 4WD	77 = 93.4 WB	EPE, EP0 = 2.5L Power Tech	DGG, DGD = 32RH 3 Spd. Auto.
L = SE	U = Wrangler 4WD (RHD)		ERH, ER0 = 4.0L Power Tech	DDQ = 5 Spd. Manual
M = X				DDD = 5 Speed HD Manual
P = Sahara				DG0 = Auto. Trans.
				DBB = Manual Trans.

AR = Use as required - = Non illustrated part # = New this model year

January 26, 2004

**Installation Package - Lights Off Road
Figure 001-640**



ITEM	PART NUMBER	QTY	LINE	SERIES	BODY	ENGINE	TRANS	TRIM	DESCRIPTION
1	8220 2526	1	J		77				INSTALLATION PACKAGE, Off Road Light
2	0154 552	1	J		77				SCREW, Hex Head, .190-16x.625
3	4638 271	1	J		77				RELAY PACKAGE, Electrical
4	6015 756	1	J		77				STRAP, Tie
5	5269 430	1	J		77				SWITCH, Fog Lamp

JEEP WRANGLER (TJ)

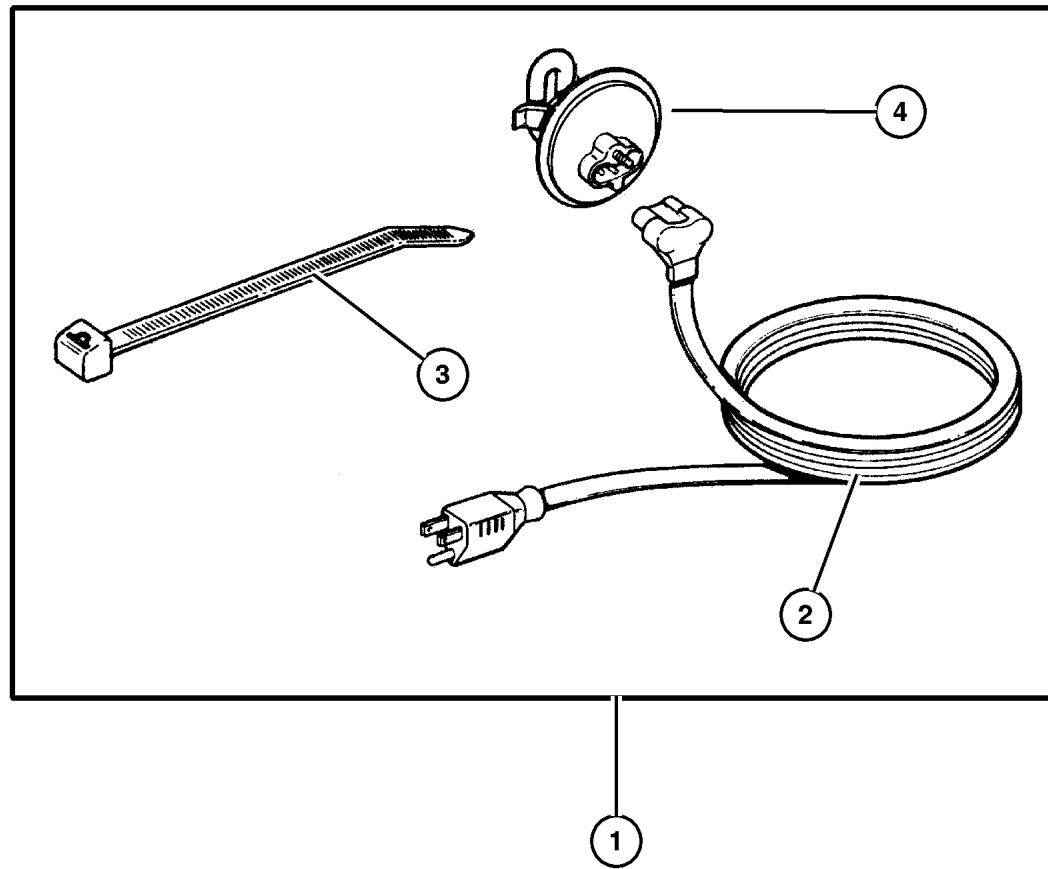
SERIES	LINE	BODY	ENGINE	TRANSMISSION
H = Sport	J = Wrangler 4WD	77 = 93.4 WB	EPE, EP0 = 2.5L Power Tech	DGG, DGD = 32RH 3 Spd. Auto.
L = SE	U = Wrangler 4WD (RHD)		ERH, ER0 = 4.0L Power Tech	DDQ = 5 Spd. Manual
M = X				DDD = 5 Speed HD Manual
P = Sahara				DG0 = Auto. Trans.
				DBB = Manual Trans.

AR = Use as required - = Non illustrated part # = New this model year

January 26, 2004

Heater Kit - Engine Block
Figure 001-650

ITEM	PART NUMBER	QTY	LINE	SERIES	BODY	ENGINE	TRANS	TRIM	DESCRIPTION
1									HEATER PACKAGE, Engine Block
	8220 1505	1							2.5L Engine
	8220 1506	1							4.0L Engine
2									CORD, Engine Block Heater
	5300 0878	1							2.5L Engine
	J575 2677	1							4.0L Engine
3	4641 780	1							STRAP, Tie
4									HEATER, Engine Block, Serviced only in package, (NOT SERVICED) (Not Serviced)

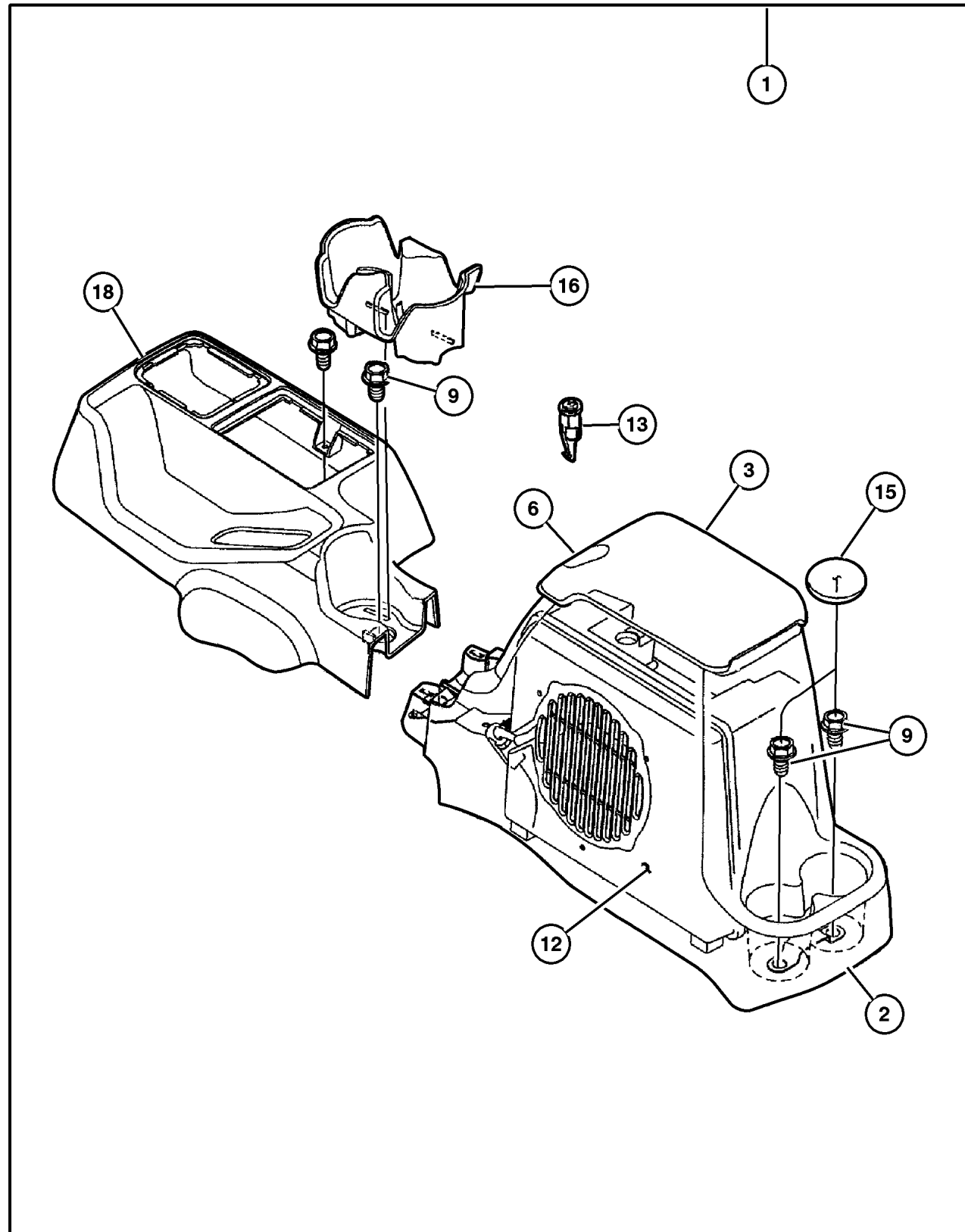


JEEP WRANGLER (TJ)			
SERIES	LINE	BODY	ENGINE
H = Sport	J = Wrangler 4WD	77 = 93.4 WB	EPE, EP0 = 2.5L Power Tech
L = SE	U = Wrangler 4WD (RHD)		ERH, ER0 = 4.0L Power Tech
M = X			
P = Sahara			
			TRANSMISSION
			DGG, DGD = 32RH 3 Spd. Auto.
			DDQ = 5 Spd. Manual
			DDD = 5 Speed HD Manual
			DG0 = Auto. Trans.
			DBB = Manual Trans.

AR = Use as required - = Non illustrated part # = New this model year

January 26, 2004

Console Kit - Floor
Figure 001-820



ITEM	PART NUMBER	QTY	LINE	SERIES	BODY	ENGINE	TRANS	TRIM	DESCRIPTION
1									CONSOLE PACKAGE, Center
	8220 6341	1	J		77				Camel/Tan
	8220 6342	1	J		77				Agate
	8220 6344	1	J		77				Camel/Tan with Sub Woofer
	8220 6345	1	J		77				Agate with Sub Woofer
2									CONSOLE, Floor
	5HE62 RK5AD	1							Camel/Tan
	5HE62 LAZAD	1							Agate
3									LID, Center Console Storage
	5HE63 RK5AC	1							Camel/Tan
	5HE63 LAZAC	1							Agate
-4	55315 039AB	1							HINGE, Floor Console Lid
-5									BIN, Storage
	55315 040AB	1							With Speaker
	55315 055AA	1							LATCH, Armrest Lid
6	55315 041AC	1							PLATE, Speaker, Remove for use with Speaker
-7	55315 043AC	1							with Speaker
-8	55315 051AA	2							BUMPER, Glove Box Door
9	6032 723	2							SCREW, Self Tapping, M4.2x1.69x19.05
-10	6034 833	2							CLIP, Push, .164-7.5
-11	56009 941AA	1							CHOKE, Speaker
12	#56038 609AD	1							SPEAKER, Sub Woofer
13	4746 305	1							CYLINDER, Console Lock
-14									SCREW, M6.3x1.81x30.0, (NOT SERVICED) (Not Serviced)
15	55315 050AA	1							MAT, Floor
16	55315 038AC	1							CUPHOLDER, Console
-17	0154 552	1							SCREW, Hex Head, .190-16x.625
18									CONSOLE, Floor
	5HF13 RK5AC	1							Camel/Tan
	5HF13 LAZAC	1							Agate
-19									WIRING, Serviced in Kit, (NOT SERVICED) (Not Serviced)

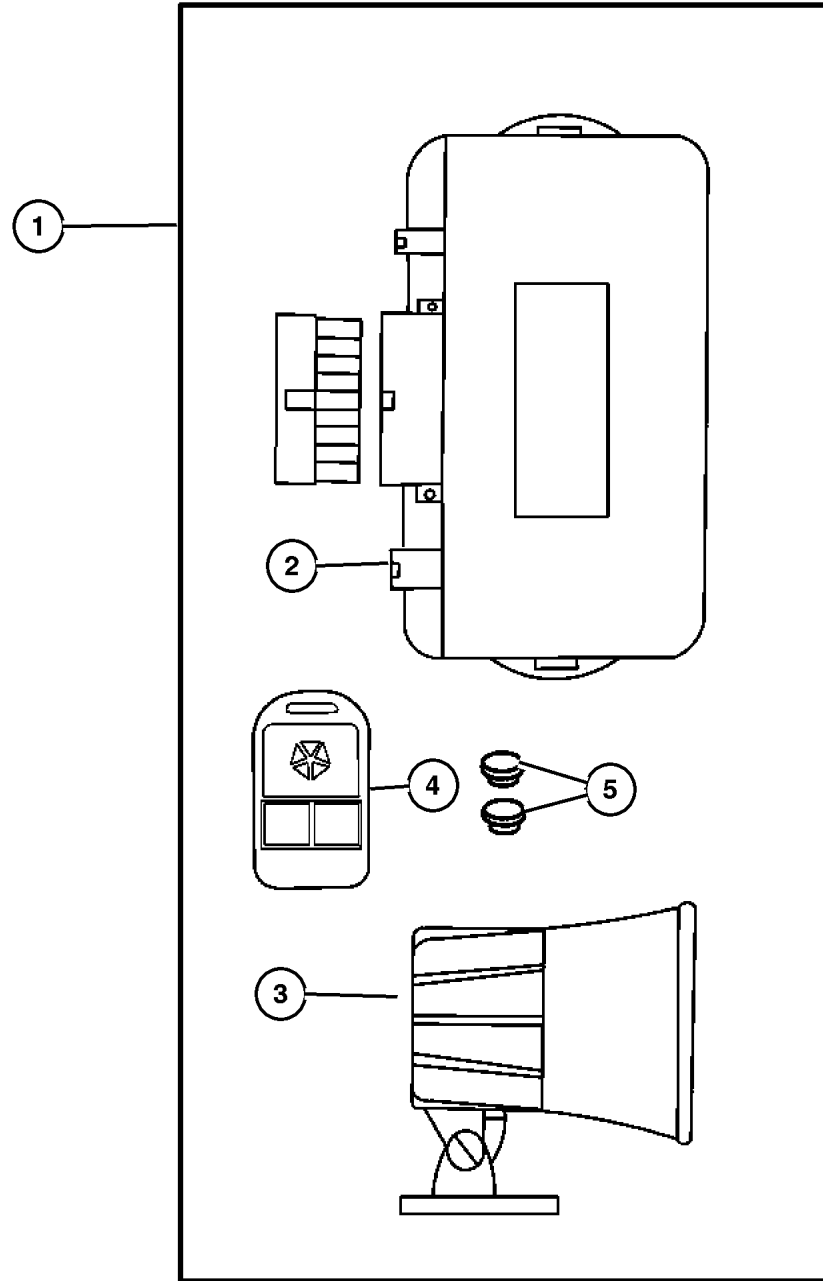
JEEP WRANGLER (TJ)

SERIES	LINE	BODY	ENGINE	TRANSMISSION
H = Sport	J = Wrangler 4WD	77 = 93.4 WB	EPE, EP0 = 2.5L Power Tech	DGG, DGD = 32RH 3 Spd. Auto.
L = SE	U = Wrangler 4WD (RHD)		ERH, ER0 = 4.0L Power Tech	DDQ = 5 Spd. Manual
M = X				DDD = 5 Speed HD Manual
P = Sahara				DG0 = Auto. Trans.
				DBB = Manual Trans.

AR = Use as required - = Non illustrated part # = New this model year

January 26, 2004

**Alarm - EVS Base System
Figure 001-910**



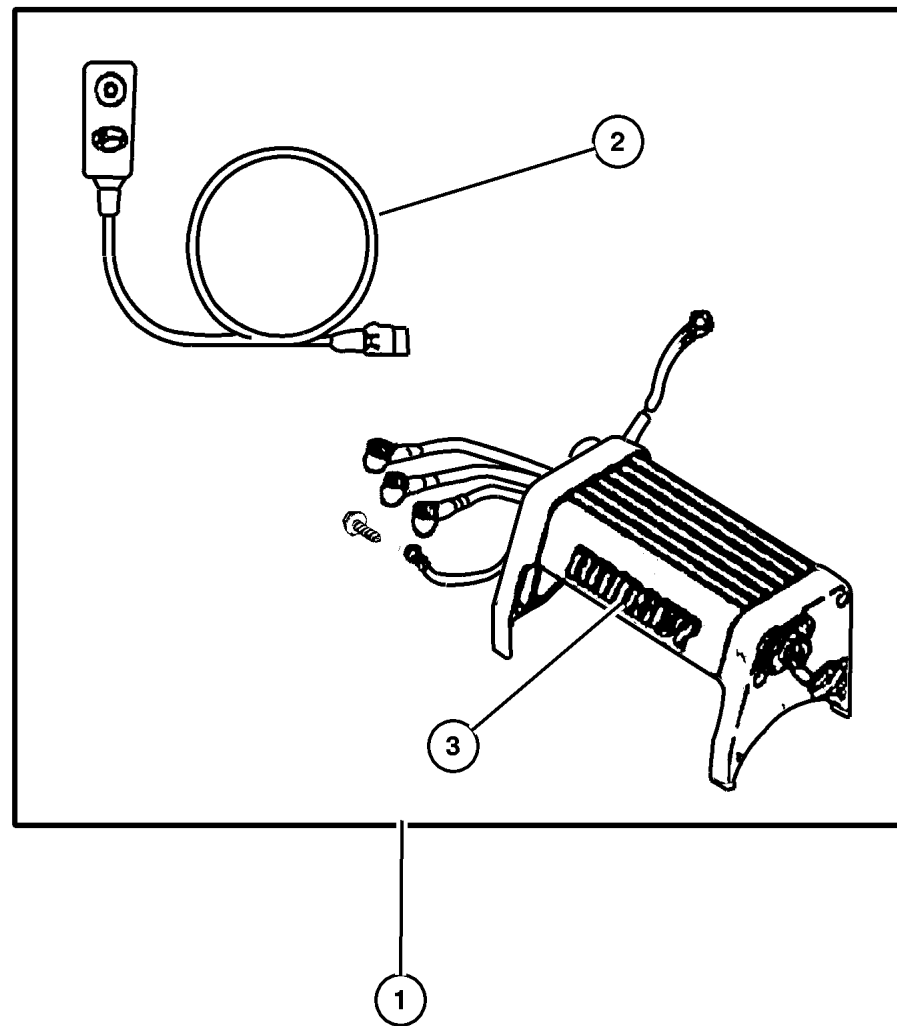
ITEM	PART NUMBER	QTY	LINE	SERIES	BODY	ENGINE	TRANS	TRIM	DESCRIPTION
1	8220 3763	1							MODULE KIT, Alarm without Keyless
2	5012 164AA	1	J		77				MODULE, Security Alarm
3	8220 3198	1							SIREN, Alarm
4	4886 374AA	1							TRANSMITTER, Alarm or Keyless
5	4636 141	1							BATTERY, Transmitter, Two Included
-6	4886 259AA	1							INDICATOR, Valet Status
-7	4886 258AA	1							SWITCH, Programing Bypass

JEEP WRANGLER (TJ)				
SERIES	LINE	BODY	ENGINE	TRANSMISSION
H = Sport	J = Wrangler 4WD	77 = 93.4 WB	EPE, EP0 = 2.5L Power Tech	DGG, DGD = 32RH 3 Spd. Auto.
L = SE	U = Wrangler 4WD (RHD)		ERH, ER0 = 4.0L Power Tech	DDQ = 5 Spd. Manual
M = X				DDD = 5 Speed HD Manual
P = Sahara				DG0 = Auto. Trans.
				DBB = Manual Trans.

AR = Use as required - = Non illustrated part # = New this model year

January 26, 2004

Winch Kit - Power
Figure 001-1020



ITEM	PART NUMBER	QTY	LINE	SERIES	BODY	ENGINE	TRANS	TRIM	DESCRIPTION
NOTE: 82202191 requires Mounting Kit # 82204128									
1	8220 6402	1	J		77				WINCH KIT, Power, Ramsey 6000H Series
	8220 6403	1	J		77				8000H Series
	8220 6404	1	J		77				8000HX Series
2	5018 221AA	1	J		77				CABLE KIT, Winch, Switch Assembly is 12 feet long. Use only with Power Winch
3	5018 363AA	1	J		77				SOLENOID, Winch Use for Kits 82206402 and 82206403
	5018 366AA	1	J		77				Use for Kit 82206404
-4	8220 2191	1	J		77				WINCH KIT, Warn 8000 Pound capacity
	8220 2612	1	J		77				9000 Pound capacity
-5	5018 241AA	1	J		77				CABLE KIT, Winch Use for Kit 82202612
	5018 824AA	1	J		77				Use for Kit 82202191
-6	5018 823AA	1	J		77				SOLENOID, Winch, Use for Kit 82202191

JEEP WRANGLER (TJ)			
SERIES	LINE	BODY	ENGINE
H = Sport	J = Wrangler 4WD	77 = 93.4 WB	EPE, EP0 = 2.5L Power Tech
L = SE	U = Wrangler 4WD (RHD)		ERH, ER0 = 4.0L Power Tech
M = X			
P = Sahara			

TRANSMISSION
DGG, DGD = 32RH 3 Spd. Auto.
DDQ = 5 Spd. Manual
DDD = 5 Speed HD Manual
DG0 = Auto. Trans.
DBB = Manual Trans.

AR = Use as required - = Non illustrated part # = New this model year

January 26, 2004

Group – 002

Front Suspension & Drive

GROUP 2 - Front Suspension & Drive

Illustration Title

Group-Fig. No.

Front Suspension

Suspension, Front Spring with Control Arms and Track Bar Fig. 002-110

Bar, Front Sway Fig. 002-120

Front Axle Drive Shafts

Shafts, Front Axle Fig. 002-210

Front Axle Housing

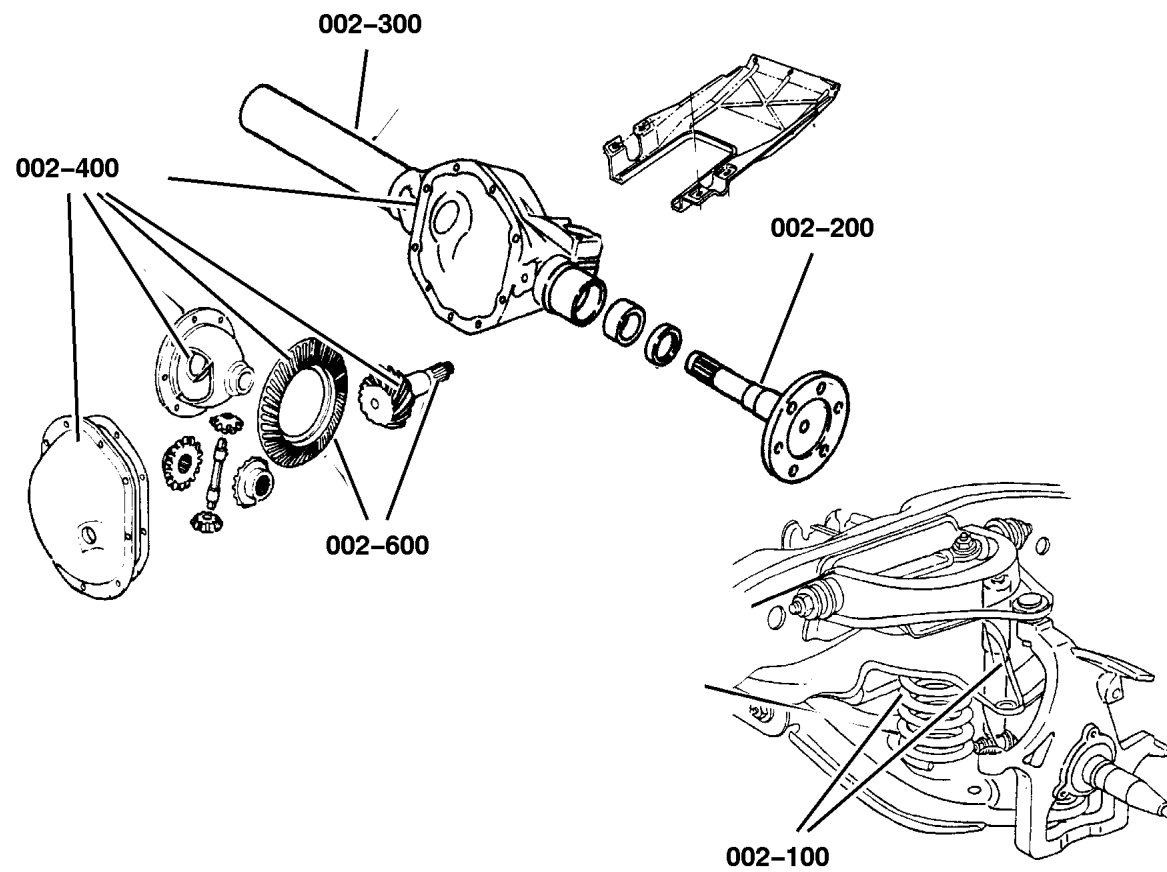
Housing, Front Axle, 4 Wheel Drive Fig. 002-310



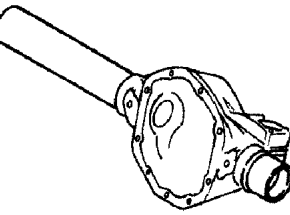
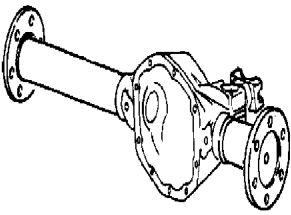
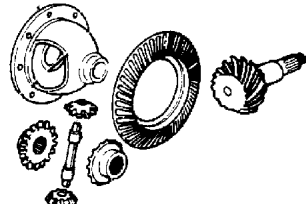
Front Axle Assembly

Axle Assembly, Front, 4 Wheel Drive Fig. 002-410

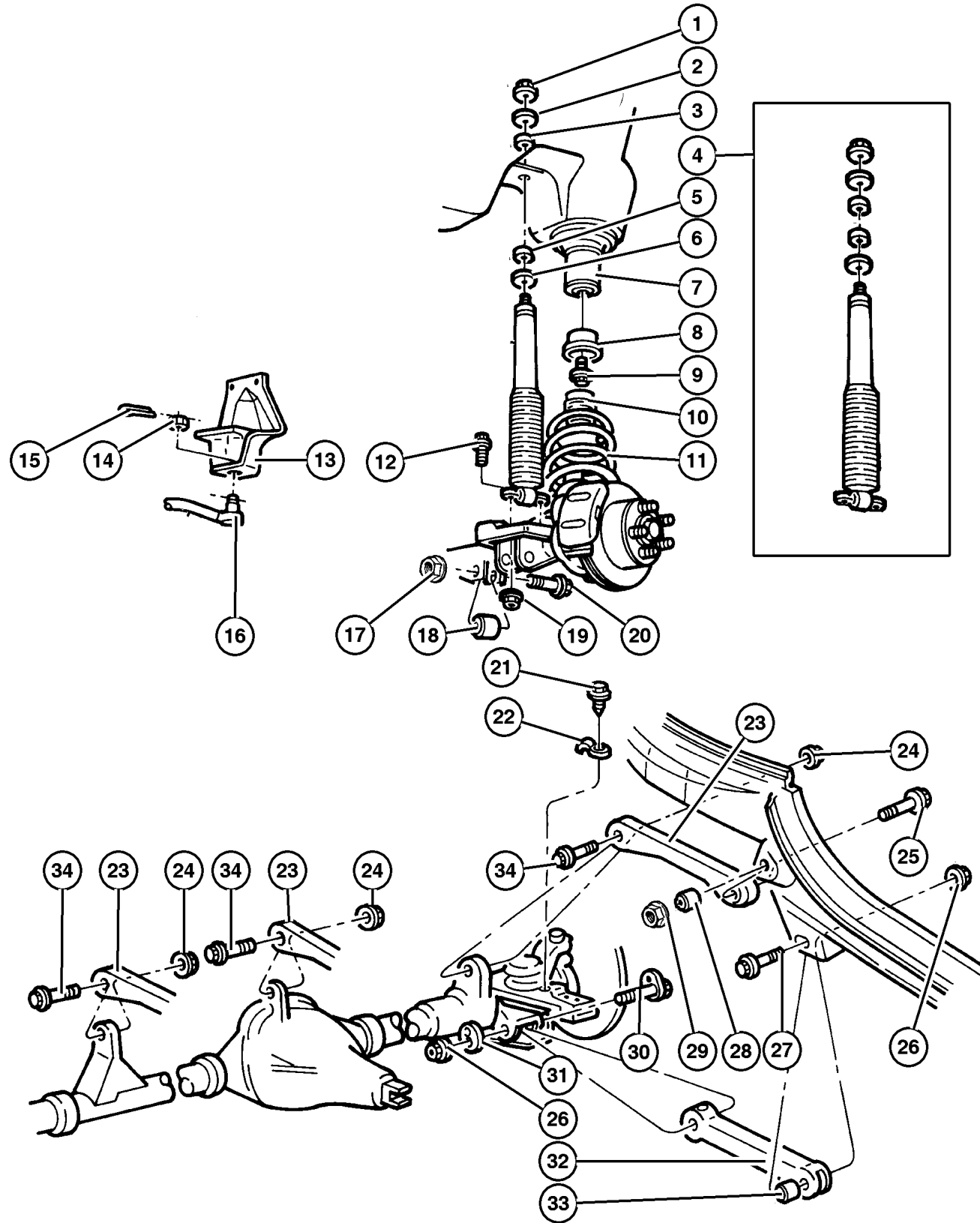
Front Axle Differential

Differential, Front Axle Fig. 002-610



<p>002-100 Front Suspension</p> 	<p>002-200 Front Axle Drive Shafts</p> 	<p>002-300 Front Axle Housing</p> 	<p>002-400 Front Axle Assembly</p> 
<p>002-600 Front Axle Differential</p> 			

Suspension, Front Spring with Control Arms and Track Bar
Figure 002-110



ITEM	PART NUMBER	QTY	LINE	SERIES	BODY	ENGINE	TRANS	TRIM	DESCRIPTION
Note:Sales Codes;									
UCA=Upper Control Arm---LCA=Lower Control Arm									
[SDA]=Shock Absorbers - Gas Charged/Normal Duty									
[SDU]=Shocks - High Pressure Gas Charged									
[ZPE] Through [ZPH]= Spring Sales Codes which will be found on Vehicle Identification Number [VIN] Sales Code Listing.									
1	6502 556	2							NUT, Hex, M10-1.5, Shock, Mounting
2	5200 5574	2							RETAINER, Shock Absorber, Shock, Mounting
3	5208 7768	2							GROMMET, Shock Absorber, Shock, Mounting
4									SHOCK ABSORBER PACKAGE, Suspension, Front
	4897 567AA	2							[SDA]
	4886 533AG	2							[SDU]
5	5208 7769	2							GROMMET, Shock Absorber, Shock, Mounting
6	5200 5575	2							RETAINER, Shock Absorber, Shock, Mounting
7	5208 7767	2							ISOLATOR, Spring, Upper
8	5208 7635	2							CUP, Jounce Bumper
9	6100 402	2							BOLT, Hex Head, M10x35, Jounce Bumper Cup, Mounting
10	5208 7992	2							BUMPER, Jounce
11									SPRING, Front Coil
	52088 127AB	1							[ZBE,ZPE]
	52088 128AB	1							[ZBF,ZPF]
	52088 129AB	1							[ZBG,ZPG]
	52060 130AA	1							[ZBH,ZPH]
12	6502 555	4							BOLT, M8x1.25x30, Shock, Mounting
13									BRACKET, Track Bar, Purchase Frame, (NOT SERVICED) (Not Serviced)
14	6034 358	1							NUT, Hex, .50-20, Shock, Mounting
15									PIN, Cotter, M4x40.00, (NOT SERVICED) (Not Serviced)
16									BAR, Track
	5208 8432	1	J						
	5208 8430	1	U						
17									NUT, Hex Flange Lock, M10x1.5
	6506 264AA	1	J						Track Bar To Axle, Mounting
	5208 7888	1	U						Track Bar To Axle, Mounting
18									BUSHING, Track Bar

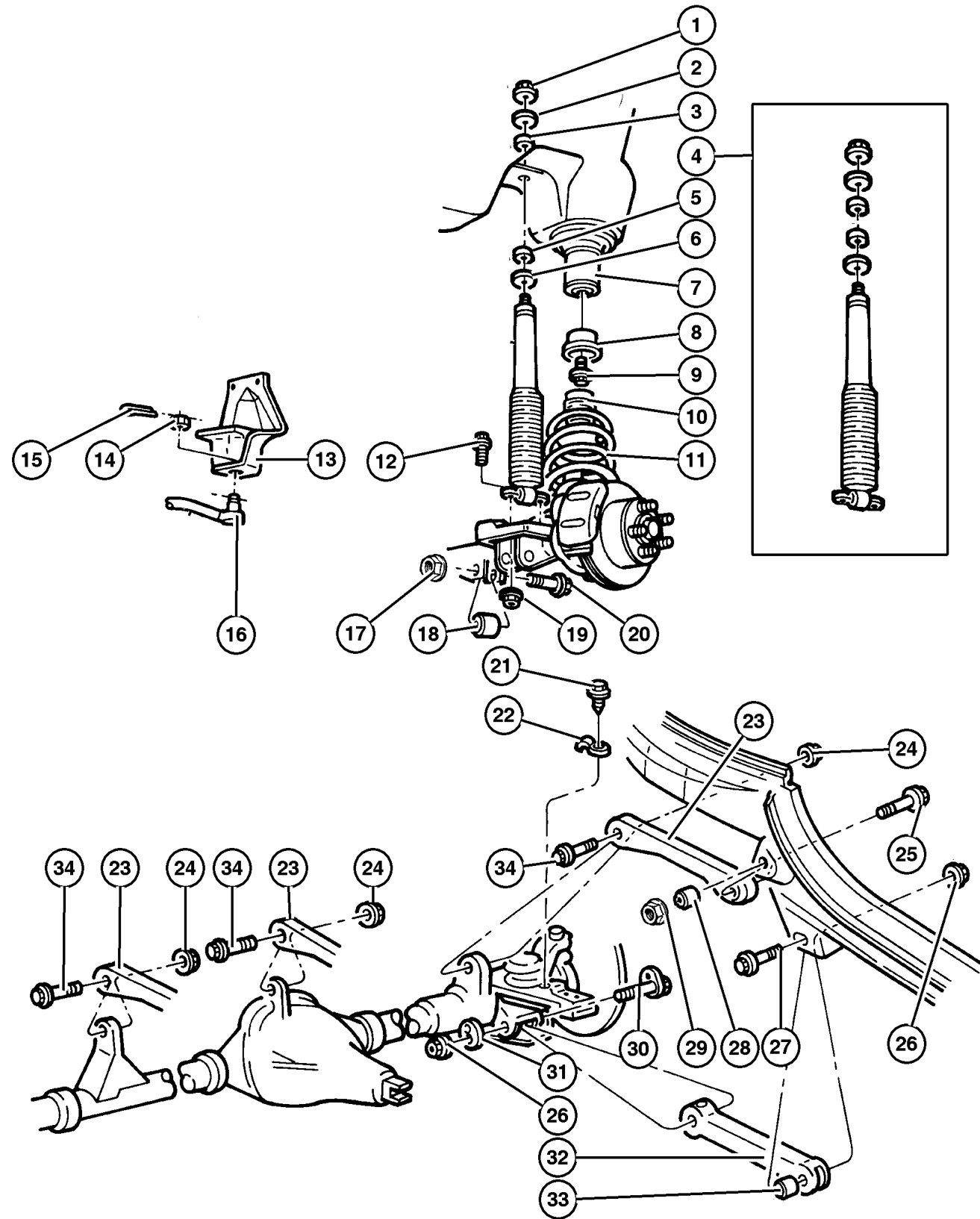
JEEP WRANGLER (TJ)

SERIES	LINE	BODY	ENGINE	TRANSMISSION
H = Sport	J = Wrangler 4WD	77 = 93.4 WB	EPE, EP0 = 2.5L Power Tech	DGG, DGD = 32RH 3 Spd. Auto.
L = SE	U = Wrangler 4WD (RHD)		ERH, ER0 = 4.0L Power Tech	DDQ = 5 Spd. Manual
M = X				DDD = 5 Speed HD Manual
P = Sahara				DG0 = Auto. Trans.
				DBB = Manual Trans.

AR = Use as required - = Non illustrated part # = New this model year

January 26, 2004

Suspension, Front Spring with Control Arms and Track Bar Figure 002-110



ITEM	PART NUMBER	QTY	LINE	SERIES	BODY	ENGINE	TRANS	TRIM	DESCRIPTION
	5208 8431	1	J						
		1	U						
19	6101 695	4							NUT, Hex Flange Lock, Shock, Mounting
20	6505 549AA	1							SCREW, Track Bar To Axle, Mounting
21	6502 468	1							SCREW, Hex Flange Head, M8x1.25x20, Coil Spring Bracket, Mounting
22	5200 5917	1							BRACKET, Spring, Coil
23	5208 7711	2							ARM, Control, with Bushings, Upper
24	1150 6007	2							NUT, Hex Flange, M10x1.5, UCA to Axle, Mounting
25	6503 085	4							BOLT, Hex Flange Head, M10x1.50x78.20, UCA to Frame or Axle, Mounting
26	6503 672	4							NUT, Hex, M14-2, LCA to Frame and Axle
27	6506 033AA	2							BOLT, Hex Flange Head, M14x2.0x105, LCA to Frame, Mounting
28	5208 7852	2							BUSHING, Control Arm, to Frame, Upper
29	6503 648	2							NUT AND RETAINER, Hex Flange Lock, m8x1.25, UCA to Frame, Mounting
30	6504 238	2							BOLT AND WASHER, Hex Head, M14 x 2.00 x 111.6, LCA to Axle, Mounting
31	6504 236	2							WASHER, M14, LCA to Axle, Mounting
32	5208 8654	2							ARM, Control, with Bushings, Lower
33	5208 8433	4							BUSHING, Control Arm, to Frame, Lower
34	6505 154AA	2							BOLT, LCA to Axle, Mounting

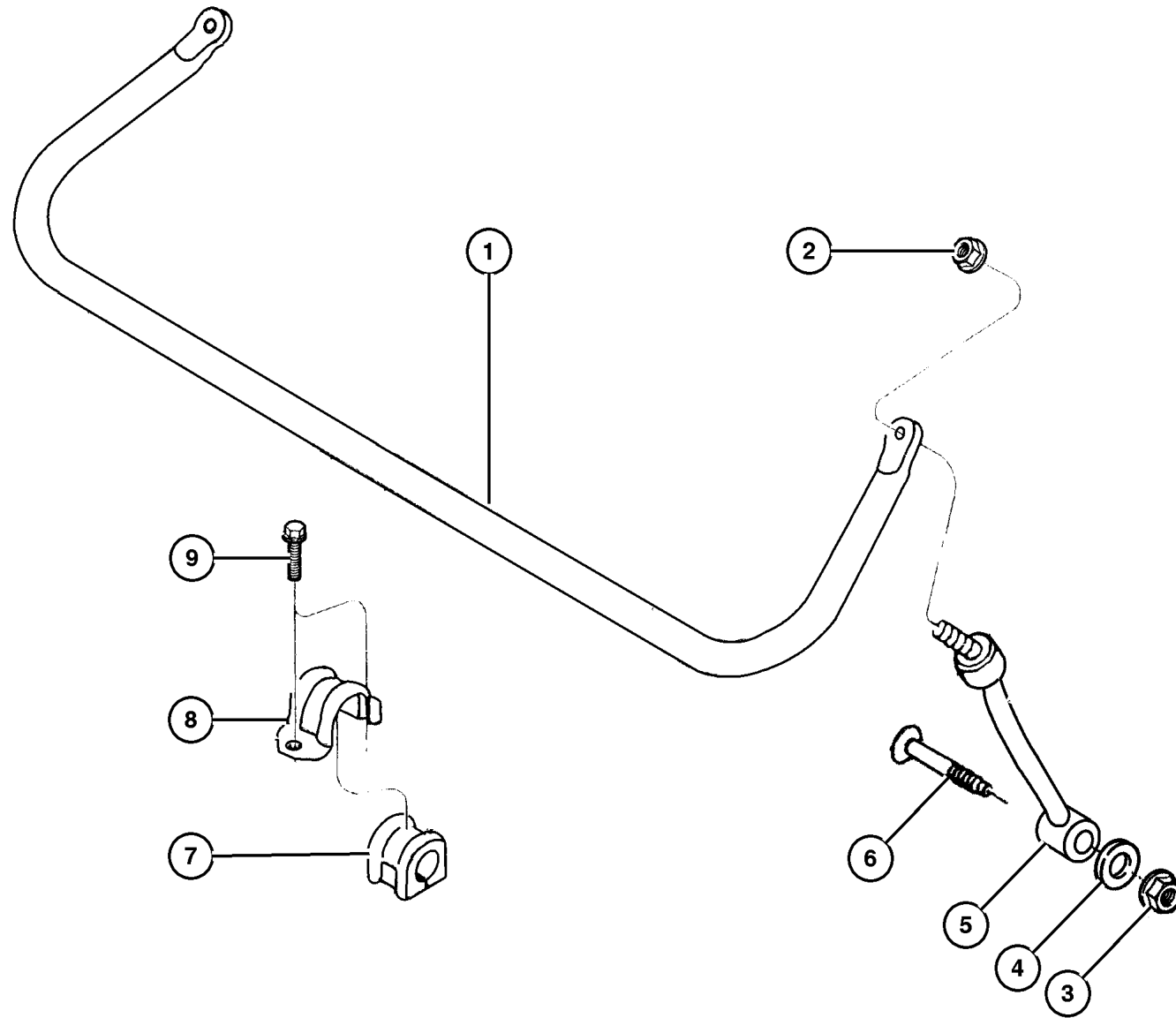
JEEP WRANGLER (TJ)

SERIES	LINE	BODY	ENGINE	TRANSMISSION
H = Sport	J = Wrangler 4WD	77 = 93.4 WB	EPE, EP0 = 2.5L Power Tech	DGG, DGD = 32RH 3 Spd. Auto.
L = SE	U = Wrangler 4WD (RHD)		ERH, ER0 = 4.0L Power Tech	DDQ = 5 Spd. Manual
M = X				DDD = 5 Speed HD Manual
P = Sahara				DG0 = Auto. Trans.
				DBB = Manual Trans.

AR = Use as required - = Non illustrated part # = New this model year

January 26, 2004

Bar, Front Sway
Figure 002-120



ITEM	PART NUMBER	QTY	LINE	SERIES	BODY	ENGINE	TRANS	TRIM	DESCRIPTION
1	5208 7824	1							STABILIZER BAR, Front Suspension
2	6502 979	2							NUT AND WASHER, Hex, M10x1.5, Sway Bar to Link
3	6502 697	2							NUT, Hex Flange Lock, M12x1.75, Sway Bar Link To Axle
4									WASHER, ID 13.07 OD 40.00 THK 3.50 , (NOT SERVICED) (Not Serviced)
5	52087 771AB	2							LINK, Sway Eliminator, Sway Bar to Axle
6	6505 465AA	2							SCREW, Truss Head, M12x1.75x70, Sway Bar Link to Axle
7	5208 8378	2							BUSHING, Sway Bar
8	5203 7710	2							RETAINER, Sway Bar
9	6102 037AA	4							SCREW AND WASHER, Hex Head, M10x1.50x35, Sway Bar Retainer

JEEP WRANGLER (TJ)

SERIES
H = Sport
L = SE
M = X
P = Sahara

LINE
J = Wrangler 4WD
U = Wrangler 4WD (RHD)

BODY
77 = 93.4 WB

ENGINE
EPE, EP0 = 2.5L Power Tech
ERH, ER0 = 4.0L Power Tech

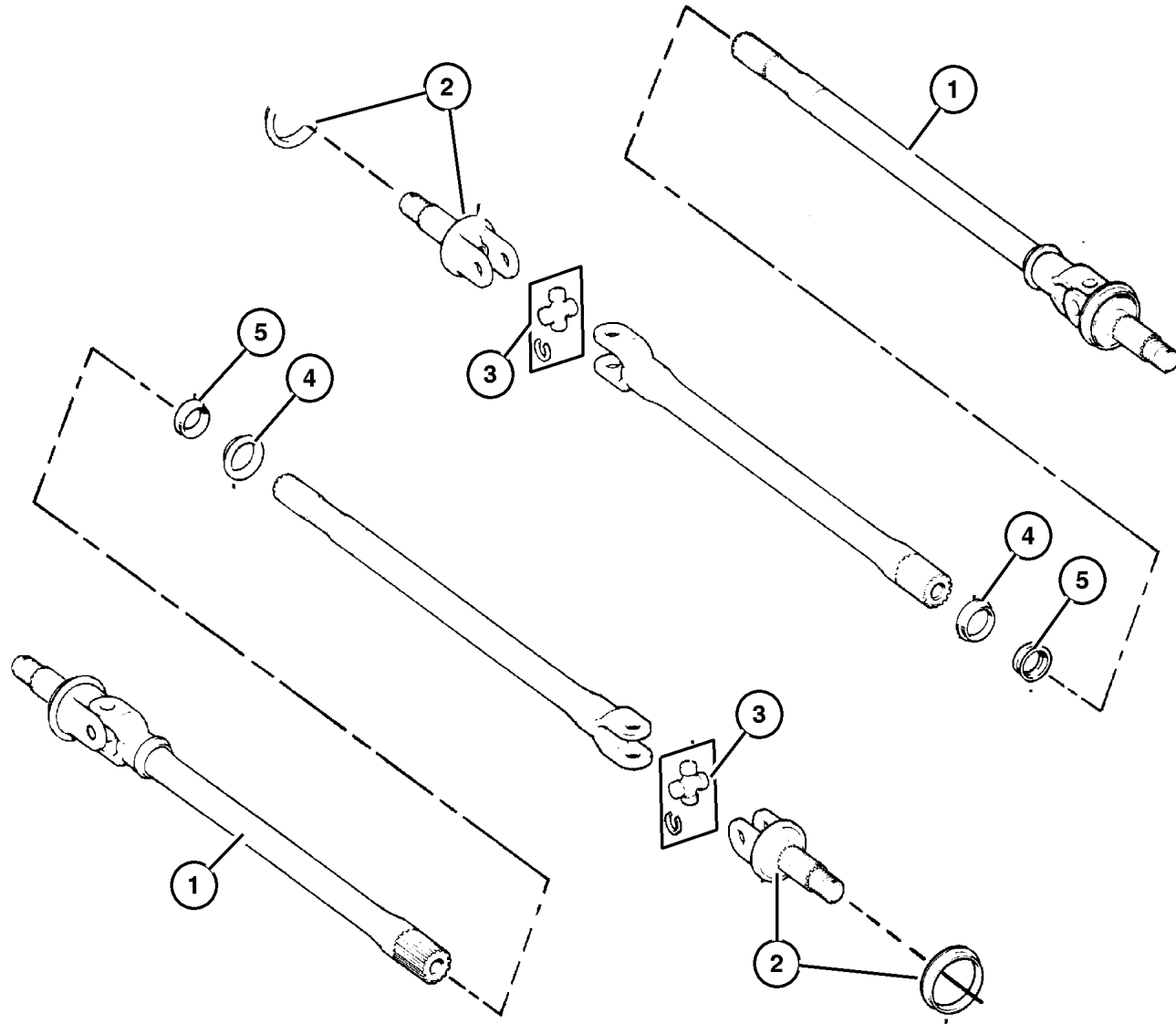
TRANSMISSION
DGG, DGD = 32RH 3 Spd. Auto.
DDQ = 5 Spd. Manual
DDD = 5 Speed HD Manual
DG0 = Auto. Trans.
DBB = Manual Trans.

Shafts, Front Axle
Figure 002-210

ITEM	PART NUMBER	QTY	LINE	SERIES	BODY	ENGINE	TRANS	TRIM	DESCRIPTION
------	-------------	-----	------	--------	------	--------	-------	------	-------------

Note:Sales Codes;
 [BGA]=Brakes - Power Front Disc/Rear Drum
 [BGK]=Brakes - 4-Wheel Anti-lock
 [DBB]=Transmissions - All Manual
 [DG0]=Transmissions - All Automatic
 [EP0]=Engines - All 2.5L 4 Cylinder Gas
 [ER0]=Engines - All 4.0L 6 Cylinder Gas

1									SHAFT, Axle
	4874 302	1	J						[BGA], Right
	4874 303	1	J						[BGA], Left
	4874 306	1	J						[BGK], Right
	4874 307	1	J						[BGK], Left
	4874 302	1	U						[BGA], Right
	4874 303	1	U						[BGA], Left
2									SHAFT, Axle
	8350 0184	1	J						[BGA]
	4728 984	1	J						[BGK]
	8350 0184	1	U						[BGA]
3									U JOINT, Front Axle
	4137 757	1	J						
		1	U						
4									SLINGER, Oil
	4882 135	2	J						
		2	U						
5									SEAL, Axle Drive Shaft
	4874 477	2	J						
		2	U						



JEEP WRANGLER (TJ)			
SERIES	LINE	BODY	ENGINE
H = Sport	J = Wrangler 4WD	77 = 93.4 WB	EPE, EP0 = 2.5L Power Tech
L = SE	U = Wrangler 4WD (RHD)		ERH, ER0 = 4.0L Power Tech
M = X			
P = Sahara			

TRANSMISSION
DGG, DGD = 32RH 3 Spd. Auto.
DDQ = 5 Spd. Manual
DDD = 5 Speed HD Manual
DG0 = Auto. Trans.
DBB = Manual Trans.

AR = Use as required - = Non illustrated part # = New this model year

January 26, 2004

Housing,Front Axle,4 Wheel Drive Figure 002-310

ITEM	PART NUMBER	QTY	LINE	SERIES	BODY	ENGINE	TRANS	TRIM	DESCRIPTION
1	J417 5376	1							STRAP, Tie
2	J535 2955	1							VENT, Axle, Upper
3	J014 0780	1							CLIP, Wrap Around, Upper
4	HFV0 0516	1							HOSE, Fuel And Vapor, 25 Foot Roll 5/16", Axle Vent
5	6503 573	1							CLIP, Axle Vent Hose, Lower
6	8350 4653	1	J						VENT, Axle Lower
		1	U						Lower
7	1101 0069	2	J						PIN, Cotter, M4x40.00 Upper Ball Joint, Mounting
		2	U						Upper Ball Joint, Mounting
8	3420 1535	6	J						BOLT Knuckle to Hub and Bearing, Mounting
		6	U						Knuckle to Hub and Bearing, Mounting
9	8350 0203	1	J						RING, Ball Joint
		1	U						
10	J012 5258	1	J						NUT, Hex Slotted Upper Ball Joint, Mounting
		1	U						Upper Ball Joint, Mounting
11	5206 7576	1	J						KNUCKLE, Front Right
	5206 7577	1	J						Left
	5206 7576	1	U						Right
	5206 7577	1	U						Left
12	J812 3318	1	J						NUT Lower Ball Joint, Mounting
		1	U						Lower Ball Joint, Mounting
13	1101 0069	2	J						PIN, Cotter, M4x40.00 Lower Ball Joint, Mounting
		2	U						Lower Ball Joint, Mounting
14	8350 0202	2	J						BALL JOINT KIT, Knuckle
		2	U						
15	2954 031	10	J						BOLT, Differential Cover
		10	U						
16	J400 4751	1	J						PLUG, Differential Cover

JEEP WRANGLER (TJ)

SERIES
H = Sport
L = SE
M = X
P = Sahara

LINE
J = Wrangler 4WD
U = Wrangler 4WD (RHD)

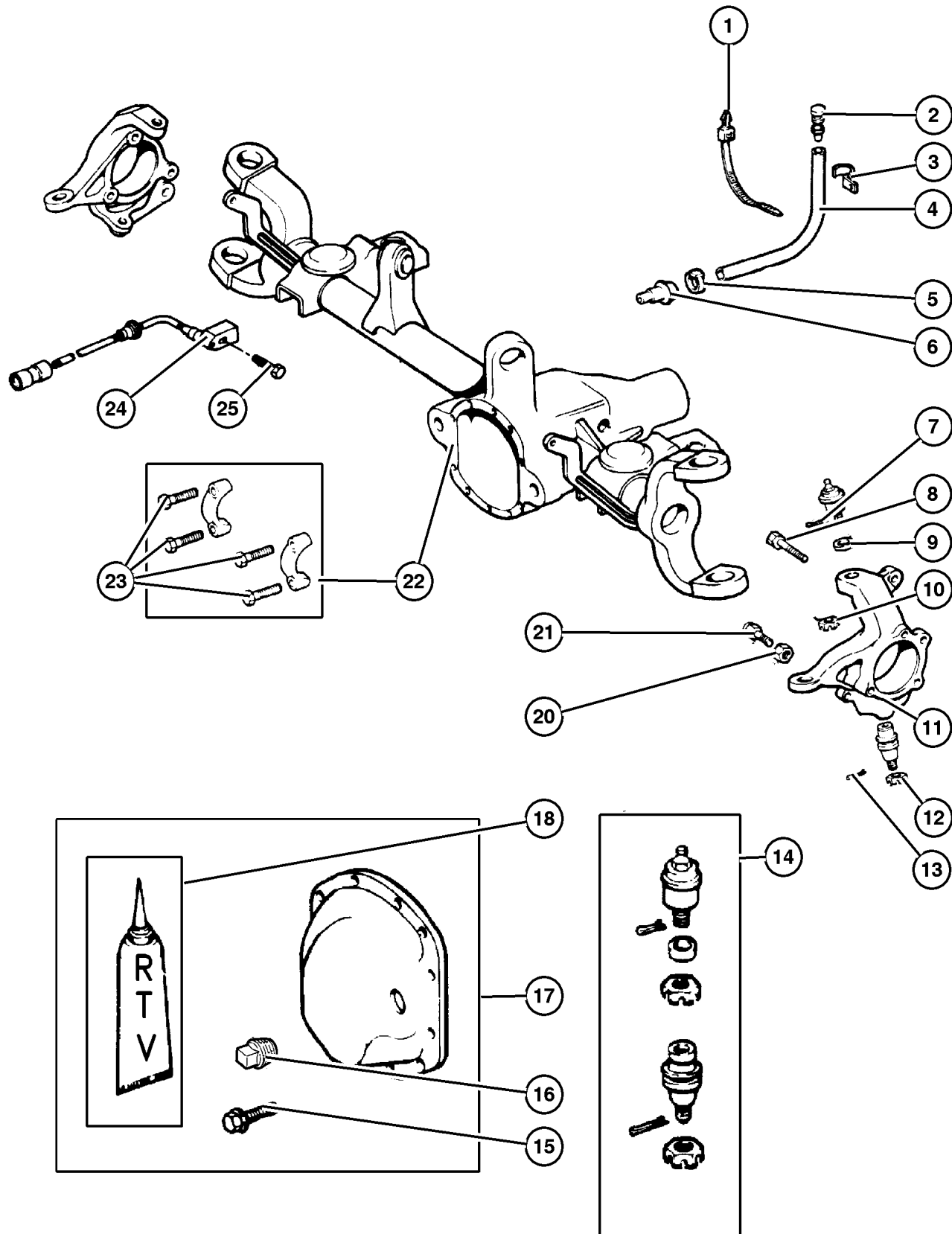
BODY
77 = 93.4 WB

ENGINE
EPE, EP0 = 2.5L Power Tech
ERH, ER0 = 4.0L Power Tech

TRANSMISSION
DGG, DGD = 32RH 3 Spd. Auto.
DDQ = 5 Spd. Manual
DDD = 5 Speed HD Manual
DG0 = Auto. Trans.
DBB = Manual Trans.

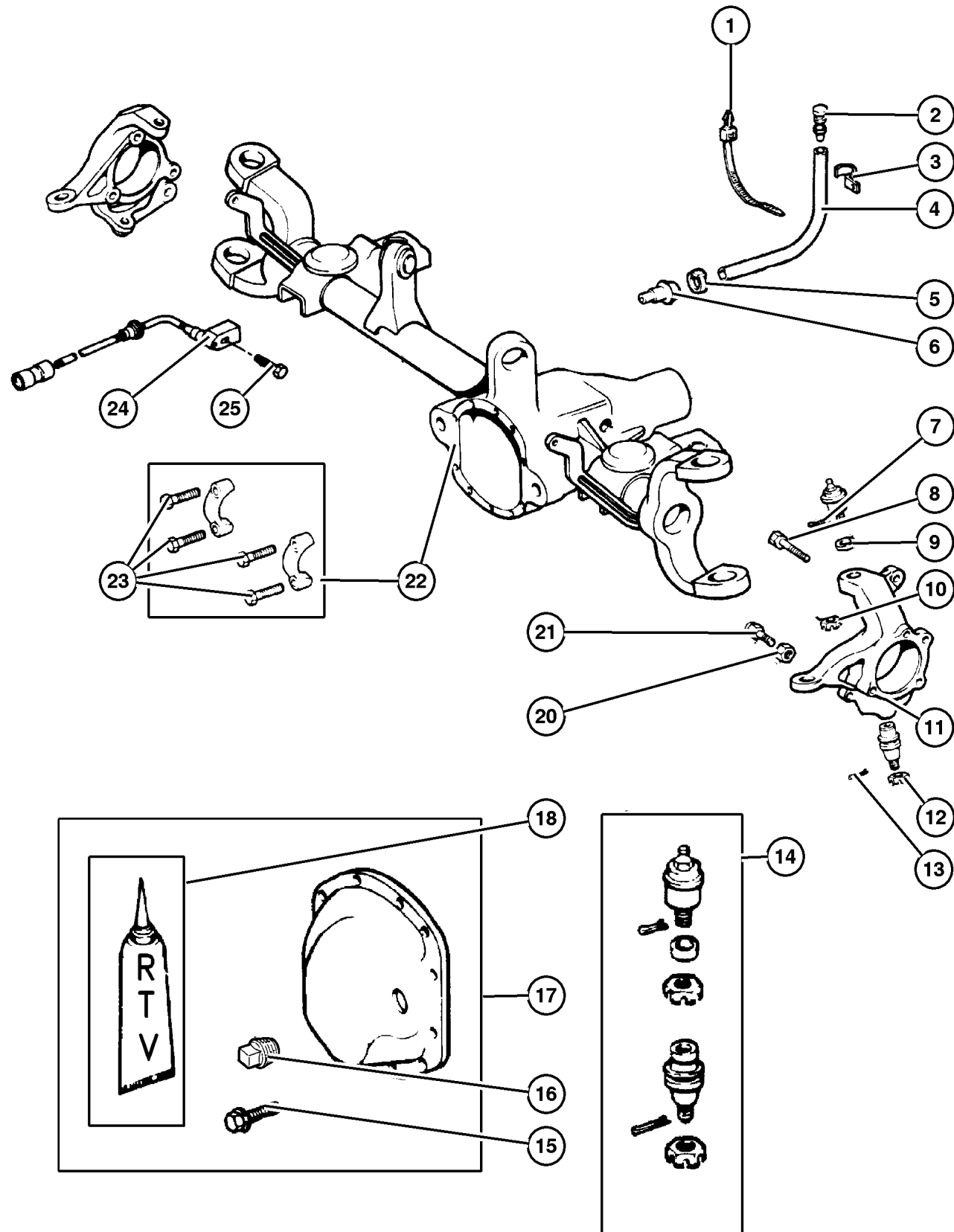
AR = Use as required - = Non illustrated part # = New this model year

January 26, 2004



Housing,Front Axle,4 Wheel Drive
Figure 002-310

ITEM	PART NUMBER	QTY	LINE	SERIES	BODY	ENGINE	TRANS	TRIM	DESCRIPTION
		1	U						
17	4713 451	1	J						COVER, Differential
18	5010 884AA	1	U						SEALANT, RTV
-19	#5083 358AA	4	J						WASHER, Flat, Stop Bolt Spacer
20	S011 4494	2	J						NUT, Steering Knuckle
21	1791 701	2	U						Stop Bolt, Mounting
		2	U						Stop Bolt, Mounting
		2	J						BOLT, Steering Knuckle Stop
22	4864 840AB	1	J						HOUSING, Axle
	4864 904AB	1	U						
23	4897 482AB	4	J						BOLT, Differential
		1	U						
24	5602 7727	2	J						SENSOR, Anti-Lock Brakes
25	8350 4920	2	J						BOLT, Sensor, Mounting



JEEP WRANGLER (TJ)

SERIES
H = Sport
L = SE
M = X
P = Sahara

LINE
J = Wrangler 4WD
U = Wrangler 4WD (RHD)

BODY
77 = 93.4 WB

ENGINE
EPE, EP0 = 2.5L Power Tech
ERH, ER0 = 4.0L Power Tech

TRANSMISSION
DGG, DGD = 32RH 3 Spd. Auto.
DDQ = 5 Spd. Manual
DDD = 5 Speed HD Manual
DG0 = Auto. Trans.
DBB = Manual Trans.

**Axle Assembly, Front, 4 Wheel Drive
Figure 002-410**

ITEM	PART NUMBER	QTY	LINE	SERIES	BODY	ENGINE	TRANS	TRIM	DESCRIPTION
------	-------------	-----	------	--------	------	--------	-------	------	-------------

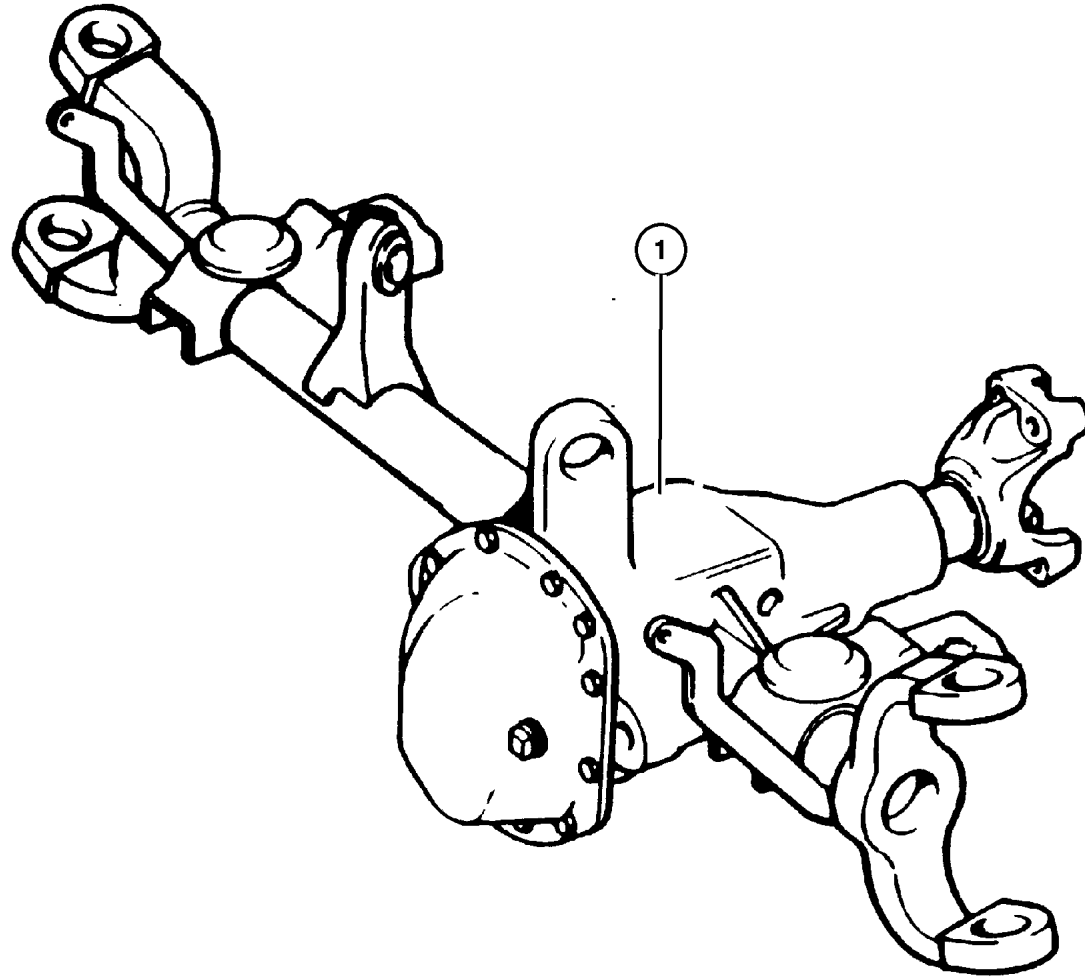
Note: Sales Codes;

[DME]=Axle Ratio - 3.73

[DMF]=Axle Ratio - 4.10

[DMM]=Axle Ratio - 3.07

1									AXLE, Service Front
	4864 852AB	1	J						[DMM] with Tag 52099198AD, 52099227AE
	4864 841AC	1	J						[DME] with Tag 52099200AD, 52111033AE
	4864 910AB	1	J						[DMF] with Tag 52099226AD
	4882 155AB	1	U						[DMM] with Tag 52099454AE
	4882 337AB	1	U						[DME] with Tag 52099450AE



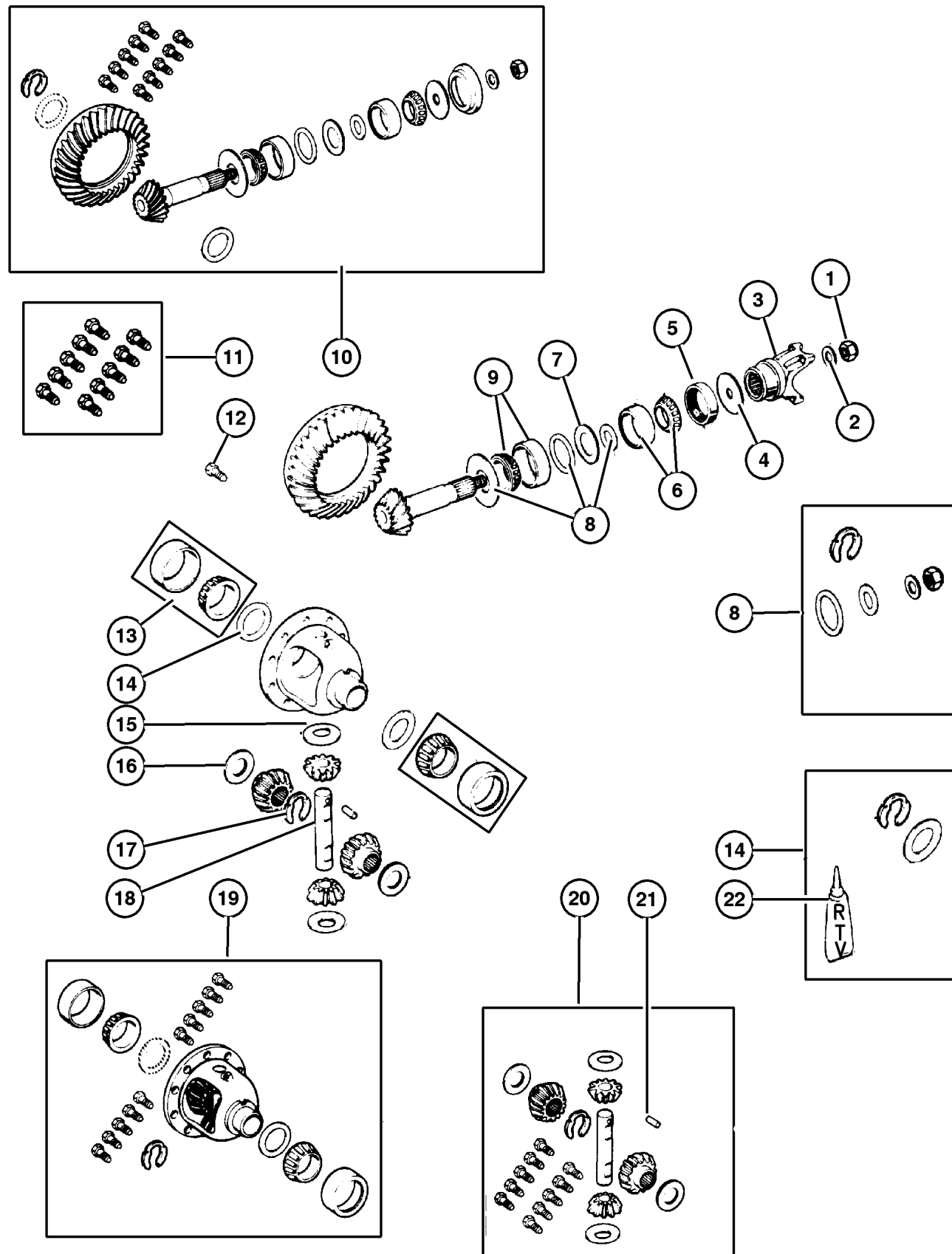
JEEP WRANGLER (TJ)

SERIES	LINE	BODY	ENGINE	TRANSMISSION
H = Sport	J = Wrangler 4WD	77 = 93.4 WB	EPE, EP0 = 2.5L Power Tech	DGG, DGD = 32RH 3 Spd. Auto.
L = SE	U = Wrangler 4WD (RHD)		ERH, ER0 = 4.0L Power Tech	DDQ = 5 Spd. Manual
M = X				DDD = 5 Speed HD Manual
P = Sahara				DG0 = Auto. Trans.
				DBB = Manual Trans.

AR = Use as required - = Non illustrated part # = New this model year

January 26, 2004

Differential, Front Axle Figure 002-610



ITEM	PART NUMBER	QTY	LINE	SERIES	BODY	ENGINE	TRANS	TRIM	DESCRIPTION
Note: Sales Codes;									
[DME]=Axle Ratio - 3.73									
[DMF]=Axle Ratio - 4.10									
[DMM]=Axle Ratio - 3.07									
1									NUT, Pinion Yoke
	5017 755AA	1	J						
	1791 575	1	U						
2									WASHER, Pinion Yoke
	1791 576	1	J						
		1	U						
3									YOKE, Axle
	8350 3388	1	J						
		1	U						
4									SLINGER, Drive Pinion
	4031 974	1	J						
		1	U						
5									SEAL, Drive Pinion
	5072 473AA	1	J						Flanged
		1	U						Flanged
6									BEARING, Drive Pinion
	5252 508	1	J						Bearing and Cup, Front
		1	U						Bearing and Cup, Front
7	4864 845AB	1	J						SPACER
8									SHIM KIT, Pinion Shaft
	8350 0192	1	J						
	4720 862	1	U						
9									BEARING, Drive Pinion
	J812 6499	1	J						Bearing and Cup, Rear
		1	U						Bearing and Cup, Rear
10									GEAR KIT, Ring And Pinion
	5072 997AB	1	J						[DMM]
	5073 246AA	1	J						[DME]
	5073 247AA	1	J						[DMF]
	5072 997AB	1	U						[DMM]
	5073 246AA	1	U						[DME]
11									BOLT KIT
	4720 891	1	J						Consists Of 10 5252503 Screws
		1	U						Consists Of 10 5252503 Screws
12									SCREW, Drive Gear
	5252 503	1	J						
		10	U						
13									BEARING, Differential

JEEP WRANGLER (TJ)

SERIES
H = Sport
L = SE
M = X
P = Sahara

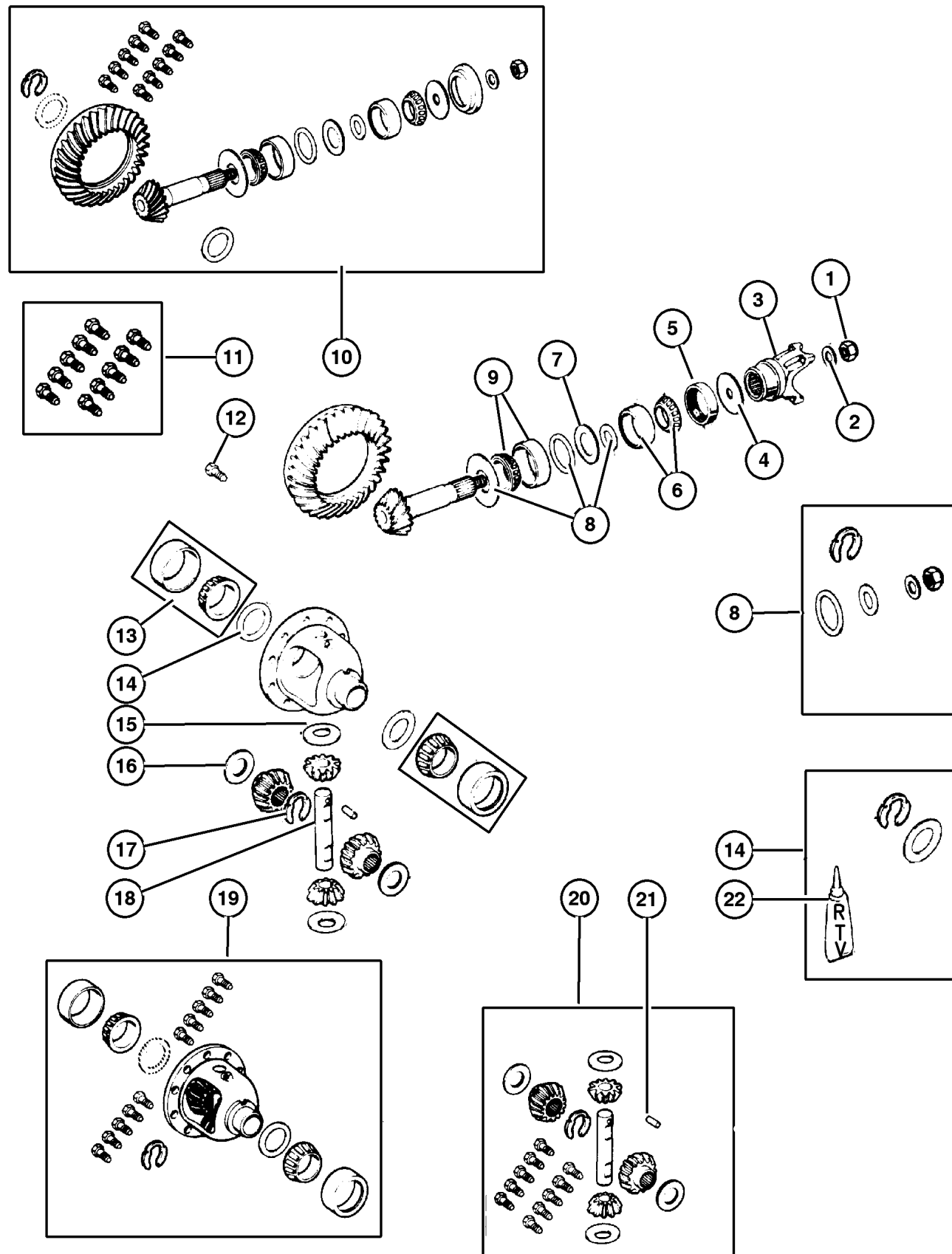
LINE
J = Wrangler 4WD
U = Wrangler 4WD (RHD)

BODY
77 = 93.4 WB

ENGINE
EPE, EP0 = 2.5L Power Tech
ERH, ER0 = 4.0L Power Tech

TRANSMISSION
DGG, DGD = 32RH 3 Spd. Auto.
DDQ = 5 Spd. Manual
DDD = 5 Speed HD Manual
DGO = Auto. Trans.
DBB = Manual Trans.

Differential, Front Axle Figure 002-610



ITEM	PART NUMBER	QTY	LINE	SERIES	BODY	ENGINE	TRANS	TRIM	DESCRIPTION
	J812 6500	1	J						Consist of 2 Bearings and 2 Cups
		1	U						Consist of 2 Bearings and 2 Cups
14	8350 0191	1	J						SHIM KIT, Differential
	4720 863	1	U						
15	J812 0831	1	J						WASHER, Flat
		2	U						Pinion Gear Thrust Pinion Gear Thrust
16									WASHER, Flat
	J813 3724	2	J						Side Gear Thrust
		2	U						
17									SNAP RING, Front Axle Shaft
	4137 739	2	J						
		2	U						
18									SHAFT, Differential
	5003 840AA	1	J						Pinion
		1	U						Pinion
19									CASE, Differential
	5252 582	1	J						[DMM]
	5252 590	1	J						[DME,DMF]
	5252 582	1	U						[DMM]
	5252 590	1	U						[DME]
20									GEAR KIT, Center Differential
	5252 591	1	J						
		1	U						
21									PIN, Differential Shaft
	1791 563	1	J						
		1	U						
22									SEALANT, RTV
	5010 884AA	1	J						
		1	U						

JEEP WRANGLER (TJ)

SERIES
H = Sport
L = SE
M = X
P = Sahara

LINE
J = Wrangler 4WD
U = Wrangler 4WD (RHD)

BODY
77 = 93.4 WB

ENGINE
EPE, EP0 = 2.5L Power Tech
ERH, ER0 = 4.0L Power Tech

TRANSMISSION
DGG, DGD = 32RH 3 Spd. Auto.
DDQ = 5 Spd. Manual
DDD = 5 Speed HD Manual
DG0 = Auto. Trans.
DBB = Manual Trans.

Group – 003

Rear Axle

GROUP 3 - Rear Axle

Illustration Title

Group-Fig. No.

Rear Axle

Axle Assembly, Rear Fig. 003-110

Differential and Housing

Housing,Rear Axle,Dana M35/194MM [DRJ] Fig. 003-210

Housing,Rear Axle,Dana 44/226MM [DRK] Fig. 003-220

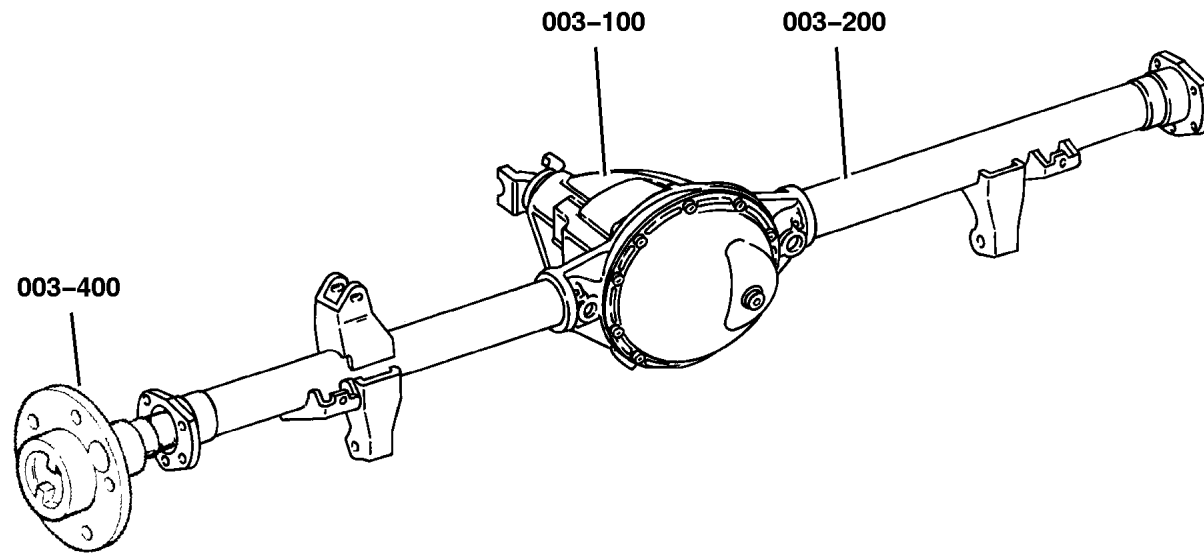
Differential,With and Without Trac-Lok [DSA] Dana M35/194MM [DRJ] Fig. 003-230

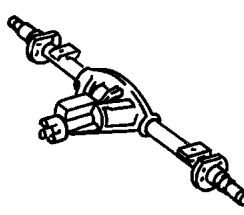
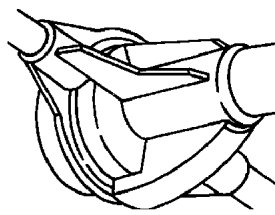
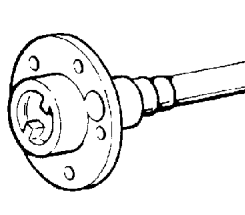
Differential,With and Without Trac-Lok [DSA] Dana 44/226MM [DRK] Fig. 003-240

Rear Axle Shafts

Shaft,Rear Axle,Dana 35/194MM [DRJ] Fig. 003-410

Shaft,Rear Axle,Dana 44/226MM [DRK] Fig. 003-420



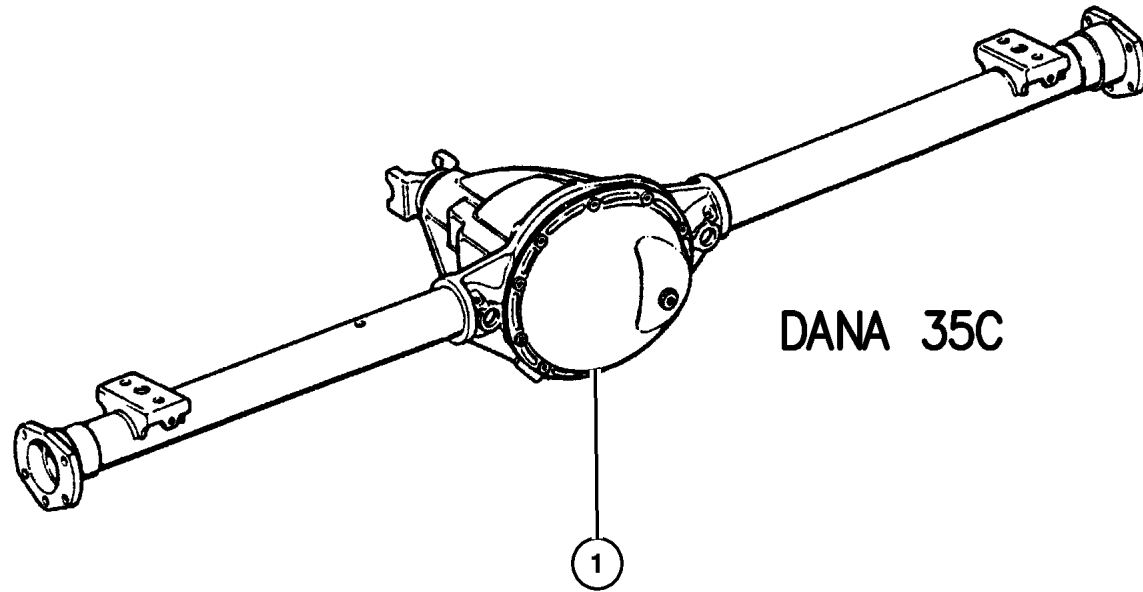
<p>003-100 Rear Axle</p> 	<p>003-200 Differential and Housing</p> 	<p>003-400 Rear Axle Shafts</p> 	
---	--	---	--

Axle Assembly, Rear
Figure 003-110

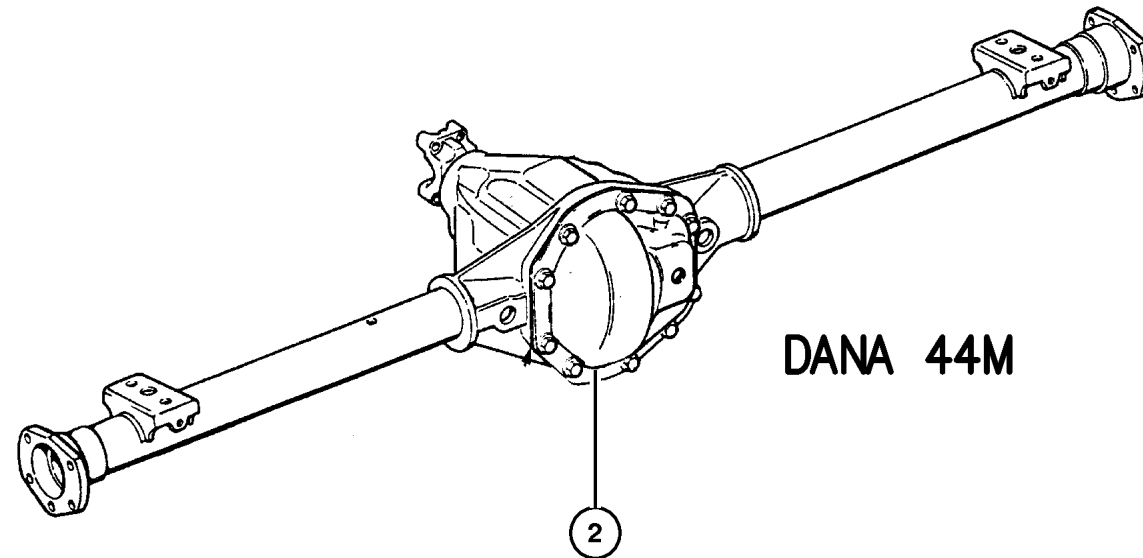
ITEM	PART NUMBER	QTY	LINE	SERIES	BODY	ENGINE	TRANS	TRIM	DESCRIPTION
------	-------------	-----	------	--------	------	--------	-------	------	-------------

Note:Sales Codes;
[DME]=Axle Ratio - 3.73
[DMF]=Axle Ratio - 4.11
[DMM]=Axle Ratio - 3.07
[DRJ]=Axle - Rear,Dana M35/194MM
[DRK]=Axle - Rear,Dana 44/226MM
[DSA]=Axle - Trac-Lok Differential

1	4897 249AB	1	J						AXLE, Service Rear [DMM] Tag 52111758AE, 52111760AE
	4897 237AB	1	J						[DMM,DSA] Tag 52111764AE
	4897 242AB	1	J						[DME] Tag 52111763AE
	4897 235AB	1	J						[DME,DSA] Tag 52111030AE, 52111929AE
	4897 240AB	1	J						[DMF] Tag 52111762AE
	4897 261AB	1	J						[DMF,DSA] Tag 52111766AE
2	5019 157AB	1	J						AXLE, Service Rear [DME] Tag 52104454AD
	5003 375AB	1	J						[DME,DSA] Tag 52111032AE
	4897 290AB	1	U						[DMM,DSA] Tag 52111750AF
	4897 291AB	1	U						[DME,DSA] Tag 52111751AF



DANA 35C



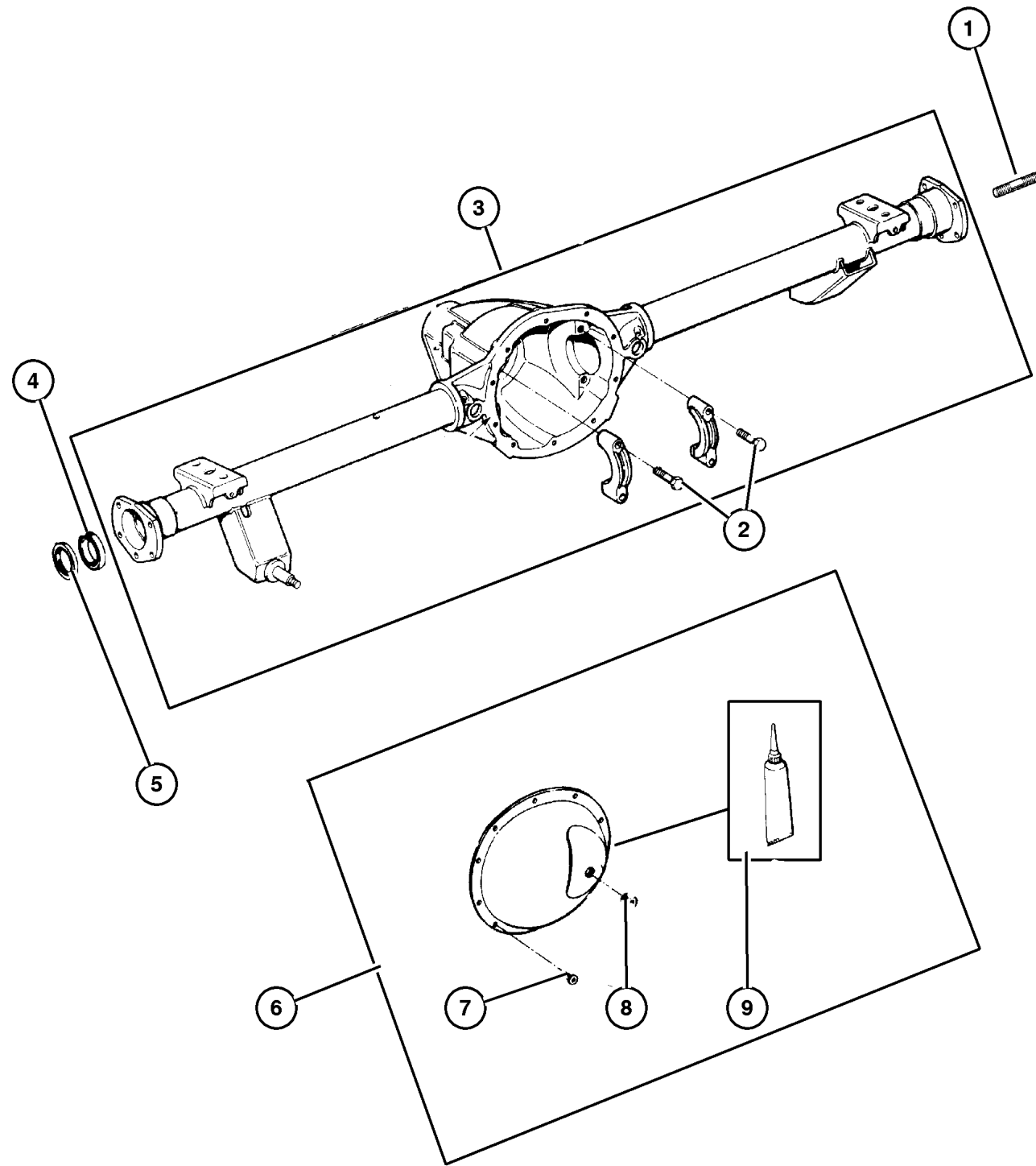
DANA 44M

JEEP WRANGLER (TJ)				TRANSMISSION
SERIES	LINE	BODY	ENGINE	
H = Sport	J = Wrangler 4WD	77 = 93.4 WB	EPE, EP0 = 2.5L Power Tech	DGG, DGD = 32RH 3 Spd. Auto.
L = SE	U = Wrangler 4WD (RHD)		ERH, ER0 = 4.0L Power Tech	DDQ = 5 Spd. Manual
M = X				DDD = 5 Speed HD Manual
P = Sahara				DG0 = Auto. Trans.
				DBB = Manual Trans.

AR = Use as required - = Non illustrated part # = New this model year

January 26, 2004

Housing,Rear Axle,Dana M35/194MM [DRJ]
Figure 003-210



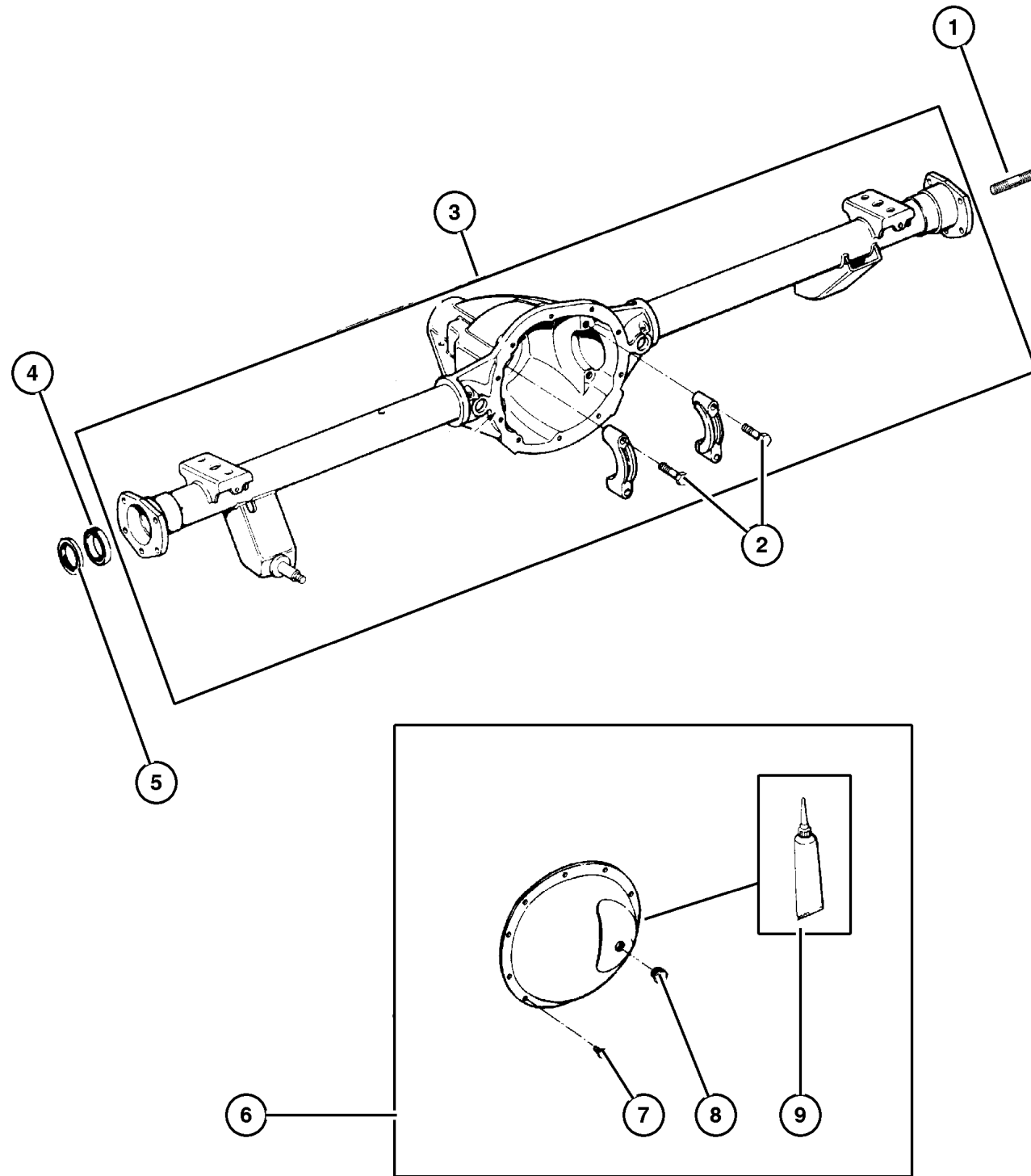
ITEM	PART NUMBER	QTY	LINE	SERIES	BODY	ENGINE	TRANS	TRIM	DESCRIPTION
Note:Sales Codes;									
[DRJ]=Axle - Rear,Dana M35/194MM									
1	4897 234AA	8	J						BOLT, Backing Plate to Axle Housing, Mounting
2	4897 482AB	4	J						BOLT, Differential, Carrier Cap, Mounting
3	4897 233AA	1	J						HOUSING, Axle, Includes Items 1, 2,4
4	J8134 586AB	2	J						BEARING, Axle Shaft
5	4856 336	2	J						SEAL, Axle Drive Shaft
6	5012 811AA	1	J						COVER, Differential
7	J400 6708	10	J						SCREW, Pan Head, .312-18x.56, Cover, Mounting
8	5252 504AB	1	J						PLUG, Differential Cover
9	5010 884AA	1	J						SEALANT, RTV

JEEP WRANGLER (TJ)				
SERIES	LINE	BODY	ENGINE	TRANSMISSION
H = Sport	J = Wrangler 4WD	77 = 93.4 WB	EPE, EP0 = 2.5L Power Tech	DGG, DGD = 32RH 3 Spd. Auto.
L = SE	U = Wrangler 4WD (RHD)		ERH, ER0 = 4.0L Power Tech	DDQ = 5 Spd. Manual
M = X				DDD = 5 Speed HD Manual
P = Sahara				DG0 = Auto. Trans.
				DBB = Manual Trans.

AR = Use as required - = Non illustrated part # = New this model year

January 26, 2004

Housing,Rear Axle,Dana 44/226MM [DRK]
Figure 003-220



ITEM	PART NUMBER	QTY	LINE	SERIES	BODY	ENGINE	TRANS	TRIM	DESCRIPTION
------	-------------	-----	------	--------	------	--------	-------	------	-------------

Note:Sales Codes;

[DRK]=Axle - Rear,Dana 44/226MM

1	J099 4313	1	J						STUD
		8	U						
2	5003 648AA	4	J						BOLT, Differential
		4	U						
3	4882 840AB	1	J						HOUSING, Axle
	4882 348AB	1	U						Includes Item 2
4	8350 3064	1	J						BEARING, Axle Shaft
		1	U						
5	8350 3063	1	J						SEAL, Axle Drive Shaft
		1	U						
6	8350 5549	1	J						COVER, Differential
		1	U						
7	J400 6708	10	J						SCREW, Pan Head, .312-18x.56
		10	U						
8	5252 504AB	1	J						PLUG, Differential Cover
		1	U						
9	5010 884AA	1	J						SEALANT, RTV
		1	U						

JEEP WRANGLER (TJ)

SERIES
H = Sport
L = SE
M = X
P = Sahara

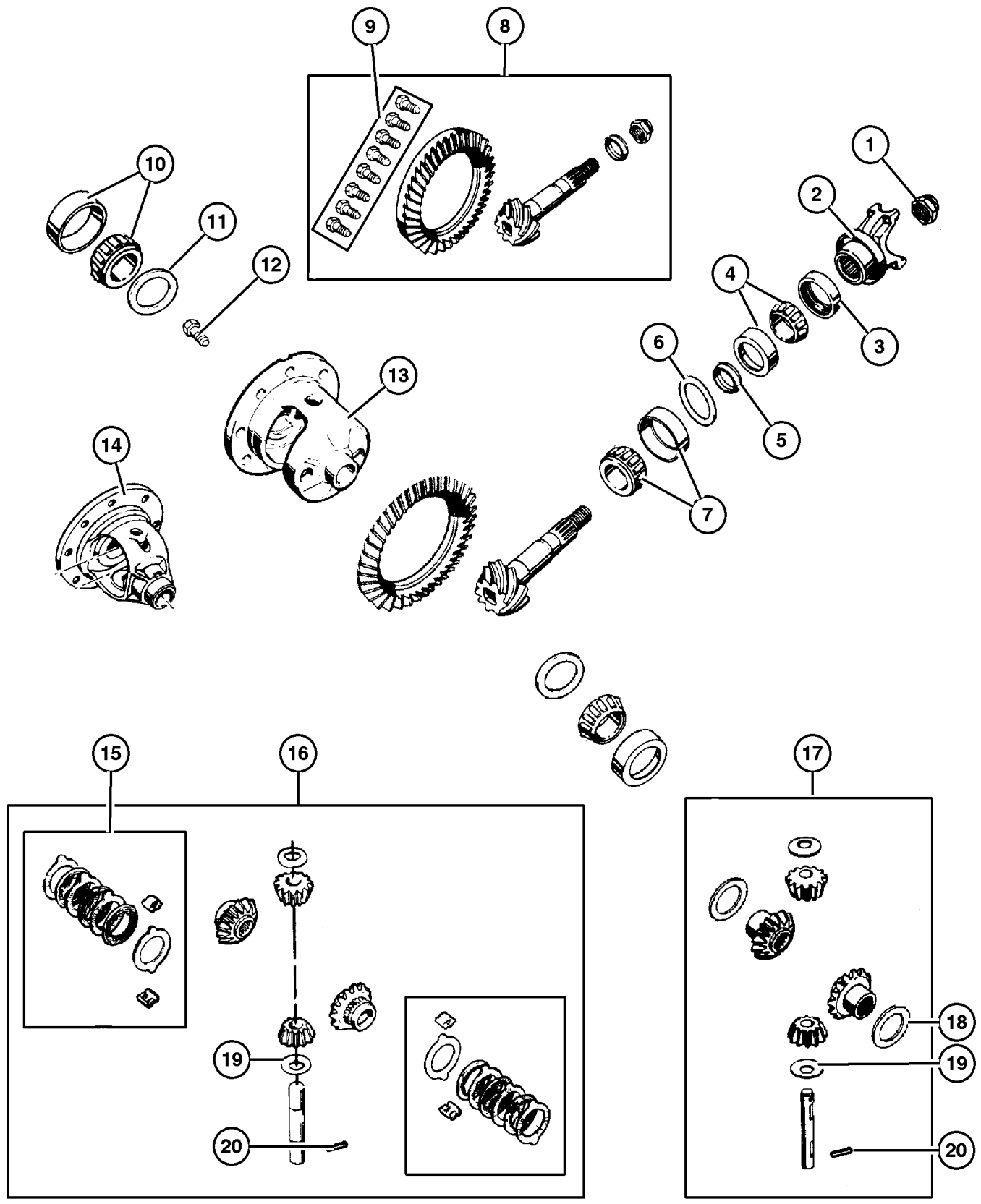
LINE
J = Wrangler 4WD
U = Wrangler 4WD (RHD)

BODY
77 = 93.4 WB

ENGINE
EPE, EP0 = 2.5L Power Tech
ERH, ER0 = 4.0L Power Tech

TRANSMISSION
DGG, DGD = 32RH 3 Spd. Auto.
DDQ = 5 Spd. Manual
DDD = 5 Speed HD Manual
DG0 = Auto. Trans.
DBB = Manual Trans.

**Differential, With and Without Trac-Lok [DSA] Dana M35/194MM [DRJ]
Figure 003-230**



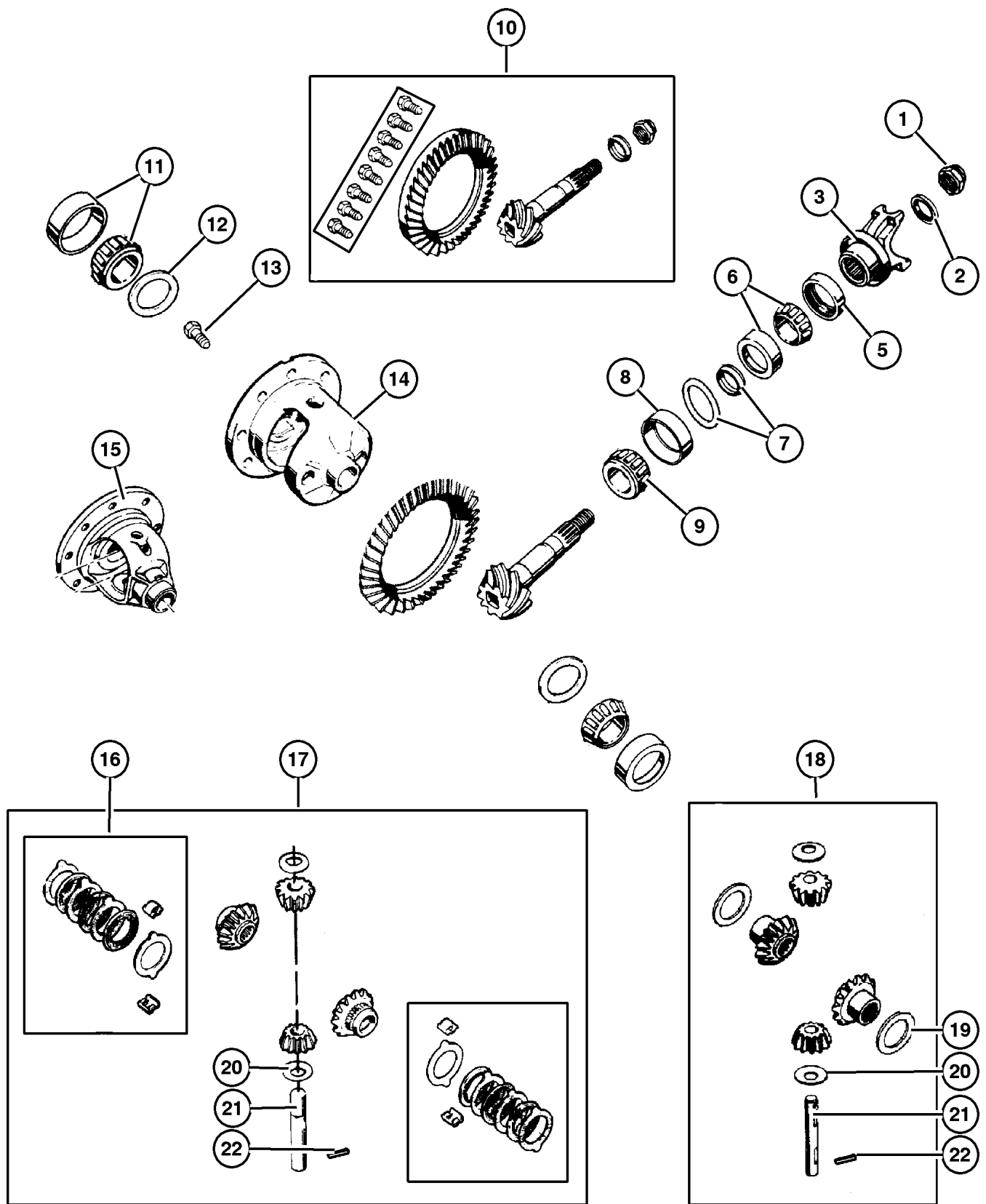
ITEM	PART NUMBER	QTY	LINE	SERIES	BODY	ENGINE	TRANS	TRIM	DESCRIPTION
Note: Sales Codes;									
[DME]=Axle Ratio - 3.73									
[DMF]=Axle Ratio - 4.11									
[DMM]=Axle Ratio - 3.07									
[DRJ]=Axle - Rear, Dana 35/194MM									
[DSA]=Axle - Anti-Spin Differential									
1	4720 895	1	J						NUT, Pinion Yoke
2	4897 025AA	1	J						YOKE, Axle
3	8350 4946	1	J						SEAL, Drive Pinion
4	5252 508	1	J						BEARING, Drive Pinion, Bearing and Cup, Front
5	J317 5779	1	J						SPACER, Drive Pinion Bearing, Crush
6	4720 922	1	J						SHIM KIT, Pinion Shaft
7	5252 507	1	J						BEARING, Drive Pinion, Bearing and Cup, Rear
8									GEAR KIT, Ring And Pinion
	#5086 639AA	1	J						[DME]
	5073 013AA	1	J						[DMM]
	5073 266AA	1	J						[DMF]
9	5012 810AC	1	J						BOLT KIT
10	J812 6500	1	J						BEARING, Differential, Consists of 2 Bearings and 2 Cups
11	8350 3004	1	J						SHIM KIT, Differential
12	5252 503	10	J						SCREW, Drive Gear
13									CASE, Differential
	5012 831AB	1	J						[DME,DMF,DSA] With Internal Parts
	5073 014AA	1	J						[DMM,DSA] With Internal Parts
14									CASE, Differential
	5073 110AA	1	J						[DMM] With Internal Parts
	5072 976AA	1	J						[DME,DMF] With Internal Parts
15	5252 506	1	J						DISC AND PLATE KIT, Differential, with [DSA]
16	4773 010	1	J						GEAR KIT, Center Differential, with [DSA]
17	4740 670	1	J						GEAR KIT, Center Differential, without [DSA]
18	J812 0832	2	J						WASHER, Differential Side Gear, without [DSA]
19	J812 0831	2	J						WASHER, Flat, without [DSA]
20	5252 502	1	J						PIN, Differential Shaft, without [DSA]

JEEP WRANGLER (TJ)		BODY	ENGINE	TRANSMISSION
SERIES	LINE	77 = 93.4 WB	EPE, EP0 = 2.5L Power Tech	DGG, DGD = 32RH 3 Spd. Auto.
H = Sport	J = Wrangler 4WD		ERH, ER0 = 4.0L Power Tech	DDQ = 5 Spd. Manual
L = SE	U = Wrangler 4WD (RHD)			DDD = 5 Speed HD Manual
M = X				DG0 = Auto. Trans.
P = Sahara				DBB = Manual Trans.

AR = Use as required - = Non illustrated part # = New this model year

January 26, 2004

Differential, With and Without Trac-Lok [DSA] Dana 44/226MM [DRK]
Figure 003-240



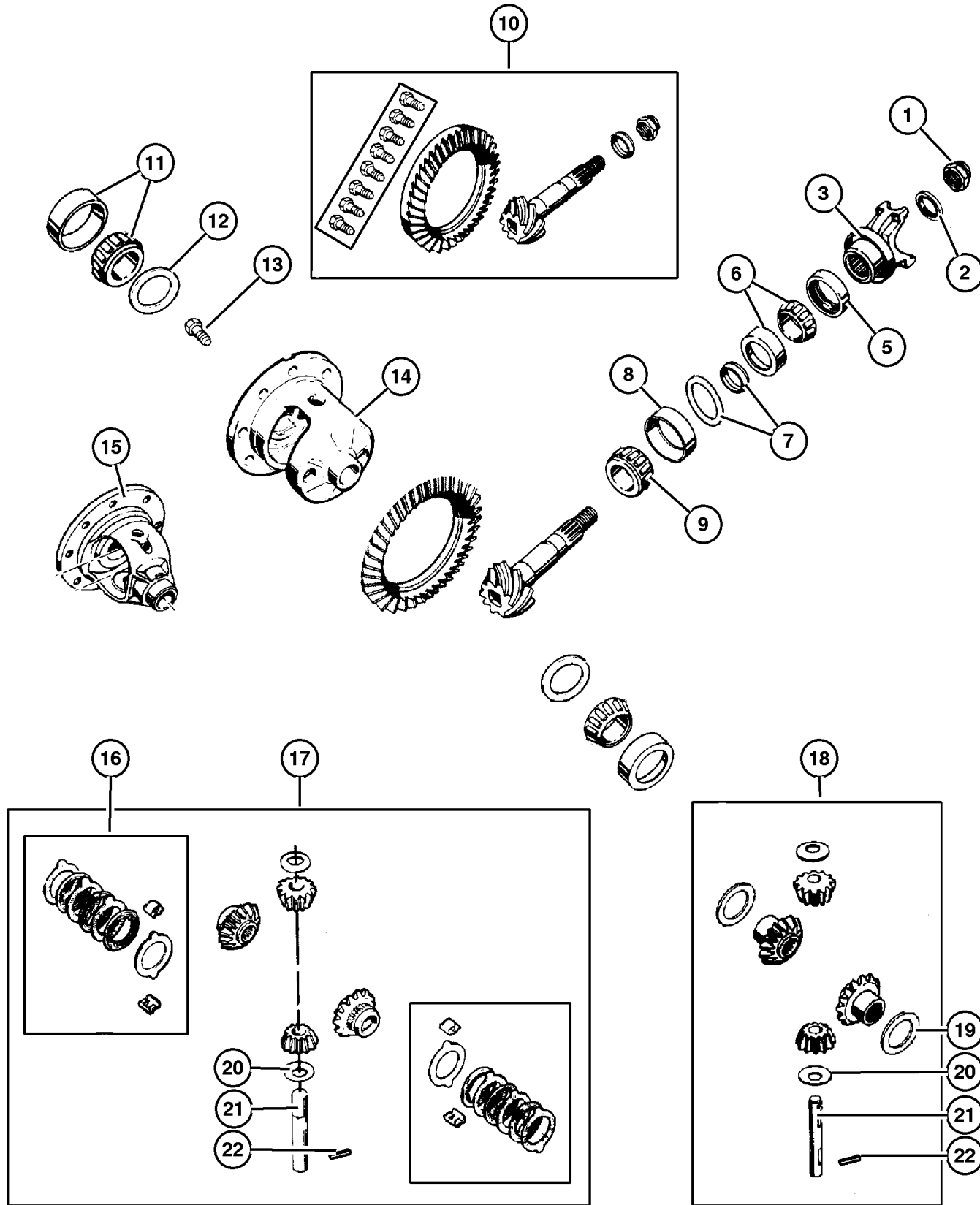
ITEM	PART NUMBER	QTY	LINE	SERIES	BODY	ENGINE	TRANS	TRIM	DESCRIPTION
Note: Sales Codes;									
[DME]=Axle Ratio - 3.73									
[DMM]=Axle Ratio - 3.07									
[DRK]=Axle - Rear, Dana 44/226MM									
[DSA]=Axle - Anti-Spin Differential									
1	1791 575	1	J						NUT, Pinion Yoke
2	1791 576	1	J						WASHER, Pinion Yoke
3	4897 026AA	1	J						YOKE, Axle
-4	4031 974	1	J						SLINGER, Drive Pinion
5	5072 473AA	1	J						SEAL, Drive Pinion Flanged Flanged
6	J812 4052	1	J						BEARING, Drive Pinion Bearing and Cup, Front Bearing and Cup, Front
7	J812 9221	1	J						SHIM KIT, Pinion Shaft
8	0698 413	1	J						CUP, Bearing Inner Bearing and Cup, Rear Bearing and Cup, Rear
9	J080 7266	1	J						BEARING, Drive Pinion
10	4882 352	1	J						GEAR KIT, Ring And Pinion [DME]
	8350 4197	1	U						[DMM]
	4882 352	1	U						[DME]
11	4746 733	1	J						BEARING, Differential Case Consists of 2 Bearings and 2 Cups Consists of 2 Bearings and 2 Cups
12	J812 9222	1	J						SHIM KIT, Differential
13		1	U						SCREW, Drive Gear

JEEP WRANGLER (TJ)
 SERIES LINE BODY ENGINE TRANSMISSION
 H = Sport J = Wrangler 4WD 77 = 93.4 WB EPE, EP0 = 2.5L Power Tech DGG, DGD = 32RH 3 Spd. Auto.
 L = SE U = Wrangler 4WD (RHD) ERH, ER0 = 4.0L Power Tech DDQ = 5 Spd. Manual
 M = X DDD = 5 Speed HD Manual
 P = Sahara DG0 = Auto. Trans.
 DBB = Manual Trans.

AR = Use as required - = Non illustrated part # = New this model year

Differential, With and Without Trac-Lok [DSA] Dana 44/226MM [DRK]
Figure 003-240

ITEM	PART NUMBER	QTY	LINE	SERIES	BODY	ENGINE	TRANS	TRIM	DESCRIPTION
	5252 503	10	J						Ring Gear, Mounting
		10	U						Ring Gear, Mounting
14	8350 5431	1	J						CASE, Differential with [DSA] with Internal Parts
		1	U						with [DSA] with Internal Parts
15	4778 672	1	J						CASE, Differential, without [DSA] with Internal Parts
16	J099 4345	1	J						DISC AND PLATE KIT, Differential with [DSA]
		1	U						with [DSA]
17	8350 5432	1	J						GEAR KIT, Center Differential with [DSA]
		1	U						with [DSA]
18	4778 595	1	J						GEAR KIT, Center Differential, without [DSA]
19	4137 755	2	J						WASHER, Differential Side Gear, without [DSA]
20	1791 561	2	J						WASHER, Pinion Thrust with or without [DSA]
		2	U						with or without [DSA]
21	8350 3069	1	J						SHAFT, Differential with or without [DSA]
		1	U						with or without [DSA]
22	1791 563	1	J						PIN, Differential Shaft with or without [DSA]
		1	U						with or without [DSA]



JEEP WRANGLER (TJ)
 SERIES LINE BODY ENGINE TRANSMISSION
 H = Sport J = Wrangler 4WD 77 = 93.4 WB EPE, EP0 = 2.5L Power Tech DGG, DGD = 32RH 3 Spd. Auto.
 L = SE U = Wrangler 4WD (RHD) ERH, ER0 = 4.0L Power Tech DDQ = 5 Spd. Manual
 M = X DDD = 5 Speed HD Manual
 P = Sahara DG0 = Auto. Trans.
 DBB = Manual Trans.

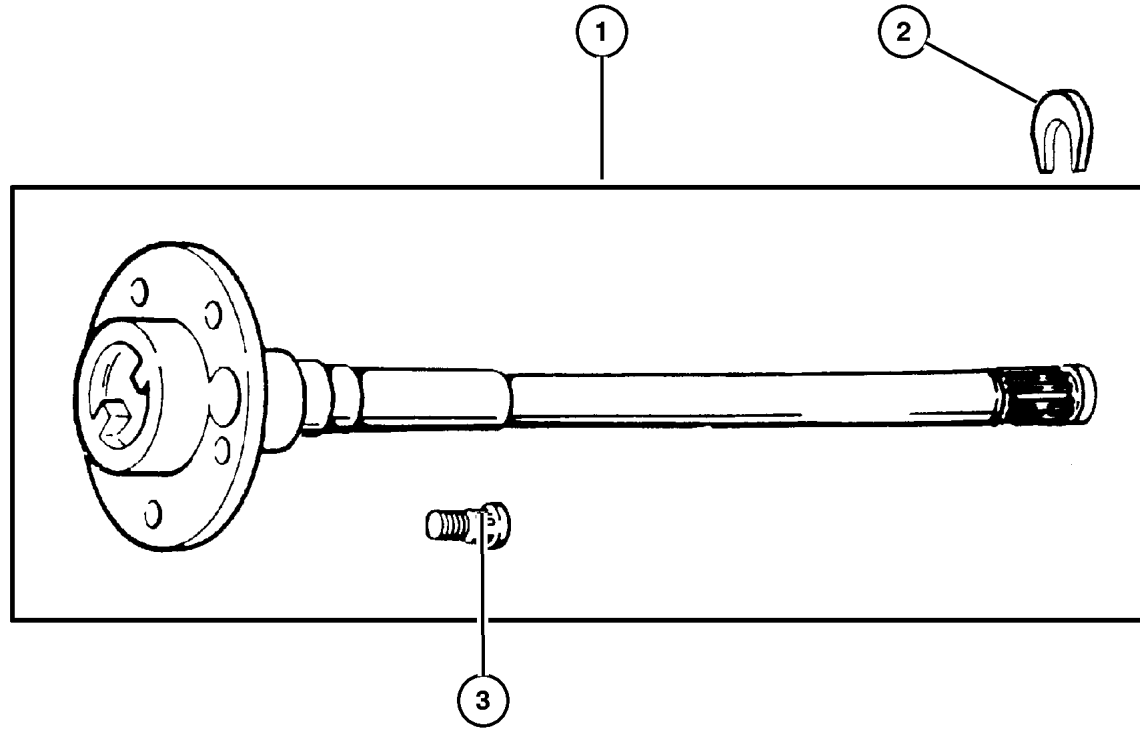
**Shaft,Rear Axle,Dana 35/194MM [DRJ]
Figure 003-410**

ITEM	PART NUMBER	QTY	LINE	SERIES	BODY	ENGINE	TRANS	TRIM	DESCRIPTION
------	-------------	-----	------	--------	------	--------	-------	------	-------------

Note:Sales Codes;

[DRJ]=Axle - Rear,Dana 35/194MM

1									SHAFT, Axle
	4713 192	1	J						Right
	4713 193	1	J						Left
2	5252 505	2	J						RETAINER, Axle Shaft, Right or Left
3	5011 312AA	5	J						STUD, Hub, Wheel, Right or Left



JEEP WRANGLER (TJ)

SERIES	LINE	BODY	ENGINE	TRANSMISSION
H = Sport	J = Wrangler 4WD	77 = 93.4 WB	EPE, EP0 = 2.5L Power Tech	DGG, DGD = 32RH 3 Spd. Auto.
L = SE	U = Wrangler 4WD (RHD)		ERH, ER0 = 4.0L Power Tech	DDQ = 5 Spd. Manual
M = X				DDD = 5 Speed HD Manual
P = Sahara				DG0 = Auto. Trans.
				DBB = Manual Trans.

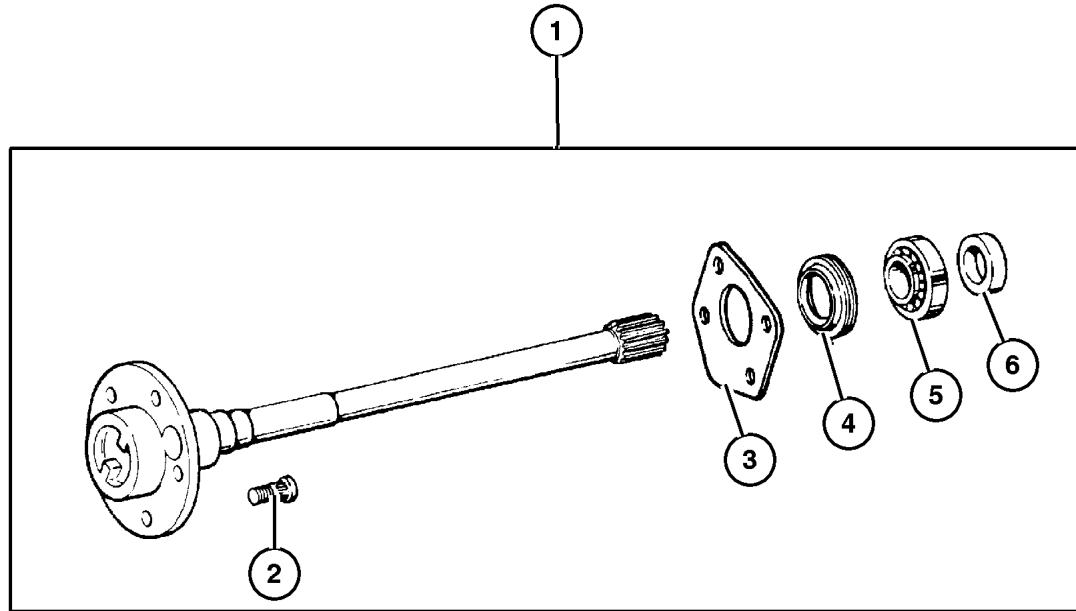
AR = Use as required - = Non illustrated part # = New this model year

January 26, 2004

**Shaft,Rear Axle,Dana 44/226MM [DRK]
Figure 003-420**

ITEM	PART NUMBER	QTY	LINE	SERIES	BODY	ENGINE	TRANS	TRIM	DESCRIPTION
------	-------------	-----	------	--------	------	--------	-------	------	-------------

Note:Sales Codes;
[DRK]=Axle - Rear,Dana 44/226MM



1	4882 350	1	J						SHAFT, Axle Right
	4882 351	1	J						Left
	4882 350	1	U						Right
	4882 351	1	U						Left
2	5011 312AA	5	J						STUD, Hub Wheel
		5	U						Wheel
3	5010 811AA	1	J						RETAINER, Axle Shaft Seal
		1	U						
4	8350 3063	1	J						SEAL, Axle Drive Shaft
		1	U						
5	8350 3064	1	J						BEARING, Axle Shaft
		1	U						
6	8350 3077	1	J						RING, Axle Shaft
		1	U						

JEEP WRANGLER (TJ)

SERIES
H = Sport
L = SE
M = X
P = Sahara

LINE
J = Wrangler 4WD
U = Wrangler 4WD (RHD)

BODY
77 = 93.4 WB

ENGINE
EPE, EP0 = 2.5L Power Tech
ERH, ER0 = 4.0L Power Tech

TRANSMISSION
DGG, DGD = 32RH 3 Spd. Auto.
DDQ = 5 Spd. Manual
DDD = 5 Speed HD Manual
DG0 = Auto. Trans.
DBB = Manual Trans.

Group – 004

Parking Brake

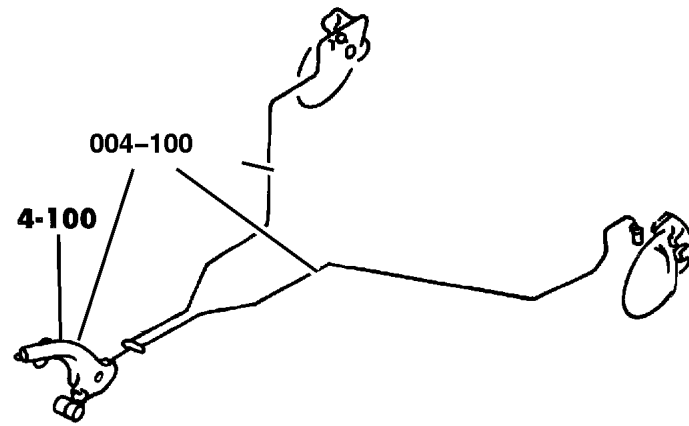
GROUP 4 - Parking Brake


Illustration Title

Group-Fig. No.

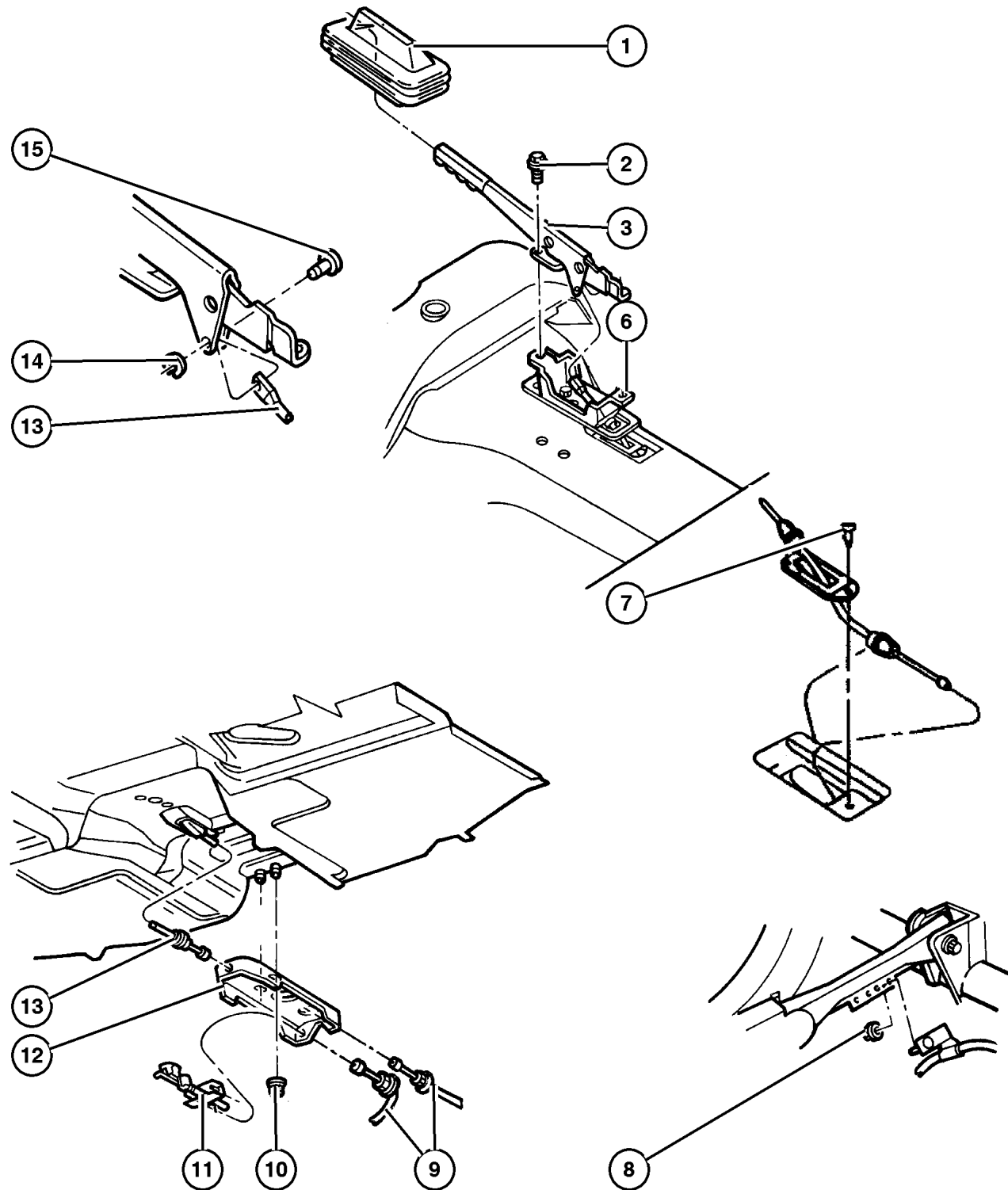
Parking Brake Lever and Cables

Parking Brake Lever and Cables Fig. 004-110



<p>004-100 Parking Brake Lever and Cables</p> 			
--	--	--	--

Parking Brake Lever and Cables Figure 004-110



ITEM	PART NUMBER	QTY	LINE	SERIES	BODY	ENGINE	TRANS	TRIM	DESCRIPTION
Note:Sales Codes;									
[CUF]=Console - Full Length Floor									
[CUM]=Console - Floor w/ Cupholder									
1	52078 891AB	1							BOOT, Parking Brake Lever, [-CUF]
2	3420 1686	2							BOLT, Hex Flange Head, M12x1.18x35, Parking Brake Lever to Bracket, Mounting
3	52128 203AB	1							LEVER, Park Brake
-4	5212 7960	1							SWITCH, Parking Brake
-5									SCREW, Hex Flange Head, Parking Brake Switch Mounting -Tapping .190-24x.750, (NOT SERVICED) (Not Serviced)
6	5212 8204	1							BRACKET, Parking Lever [CUF]
	5212 8191	1							[CUM]
7	0153 644	3							SCREW, .190-16x.500, Front Parking Brake Cable Seal to Floor Pan
8	6101 695	1							NUT, Hex Flange Lock, M8x1.25
9	5200 8362	1			J				CABLE, Parking Brake Right,Rear
	5200 8363	1			J				Left,Rear
	5200 8362	1			U				Right,Rear
	5200 8363	1			U				Left,Rear
10	6505 245AA	2							NUT, M8x1.25, Parking Brake Support Bracket to Floor Pan
11	5200 9527	1							TENSIONER, Parking Brake Cable, Adjusting
12	52127 952AC	1							BRACKET, Cable
13	52128 206AD	1							CABLE, Parking Brake, Front
14	5207 8012	1							CLIP, Parking Brake Cable, Parking Brake Lever
15	5207 8010	1							PIN, Parking Release, Parking Brake Lever

JEEP WRANGLER (TJ)

SERIES	LINE	BODY	ENGINE	TRANSMISSION
H = Sport	J = Wrangler 4WD	77 = 93.4 WB	EPE, EP0 = 2.5L Power Tech	DGG, DGD = 32RH 3 Spd. Auto.
L = SE	U = Wrangler 4WD (RHD)		ERH, ER0 = 4.0L Power Tech	DDQ = 5 Spd. Manual
M = X				DDD = 5 Speed HD Manual
P = Sahara				DG0 = Auto. Trans.
				DBB = Manual Trans.

AR = Use as required - = Non illustrated part # = New this model year

January 26, 2004

Group – 005

Service Brakes

GROUP 5 - Service Brakes

Illustration Title

Group-Fig. No.

Front Brakes

Front Brakes Fig. 005-110

Rear Brakes

Rear Drum Brakes Fig. 005-210

Power Brake Booster

Power Brake Booster Fig. 005-310

Brake Master Cylinder

Master Cylinder Fig. 005-410

Brake Lines and Hoses

Hydraulic Control Unit, Anti-lock Fig. 005-510

Brake Lines and Hoses, Front, LHD and Rear, LHD, RHD, without ABS Fig. 005-520

Brake Lines and Hoses, Front, RHD, without ABS Fig. 005-530

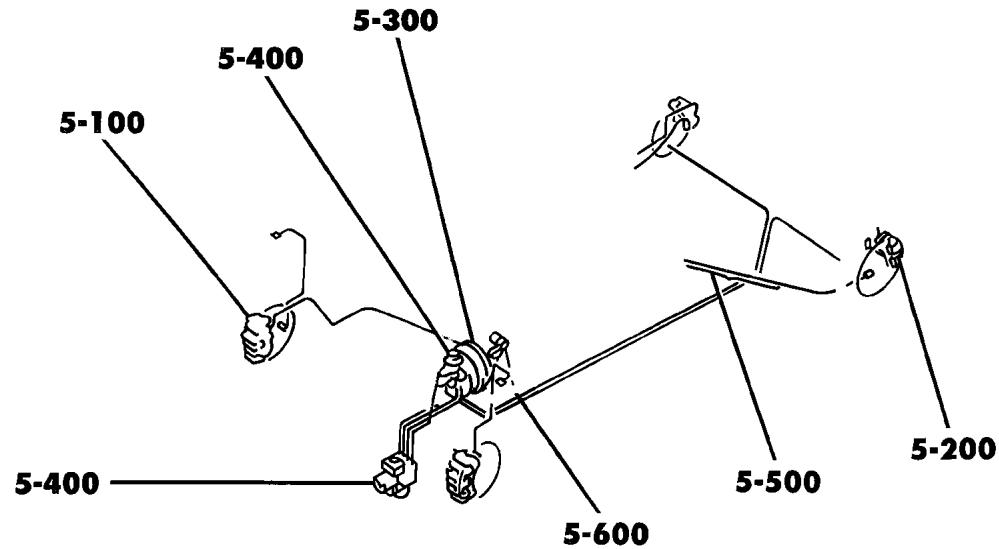
Brake Lines and Hoses Front, LHD, with ABS Fig. 005-540

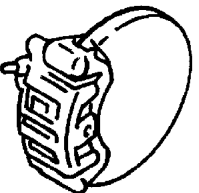
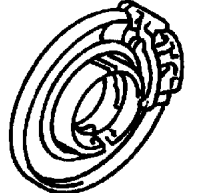
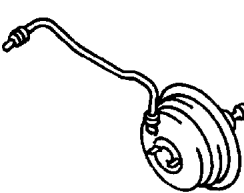
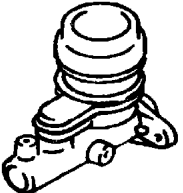
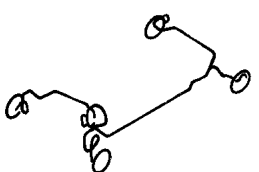

Brake Lines and Hoses Rear, LHD, with ABS Fig. 005-550

Brake Pedals

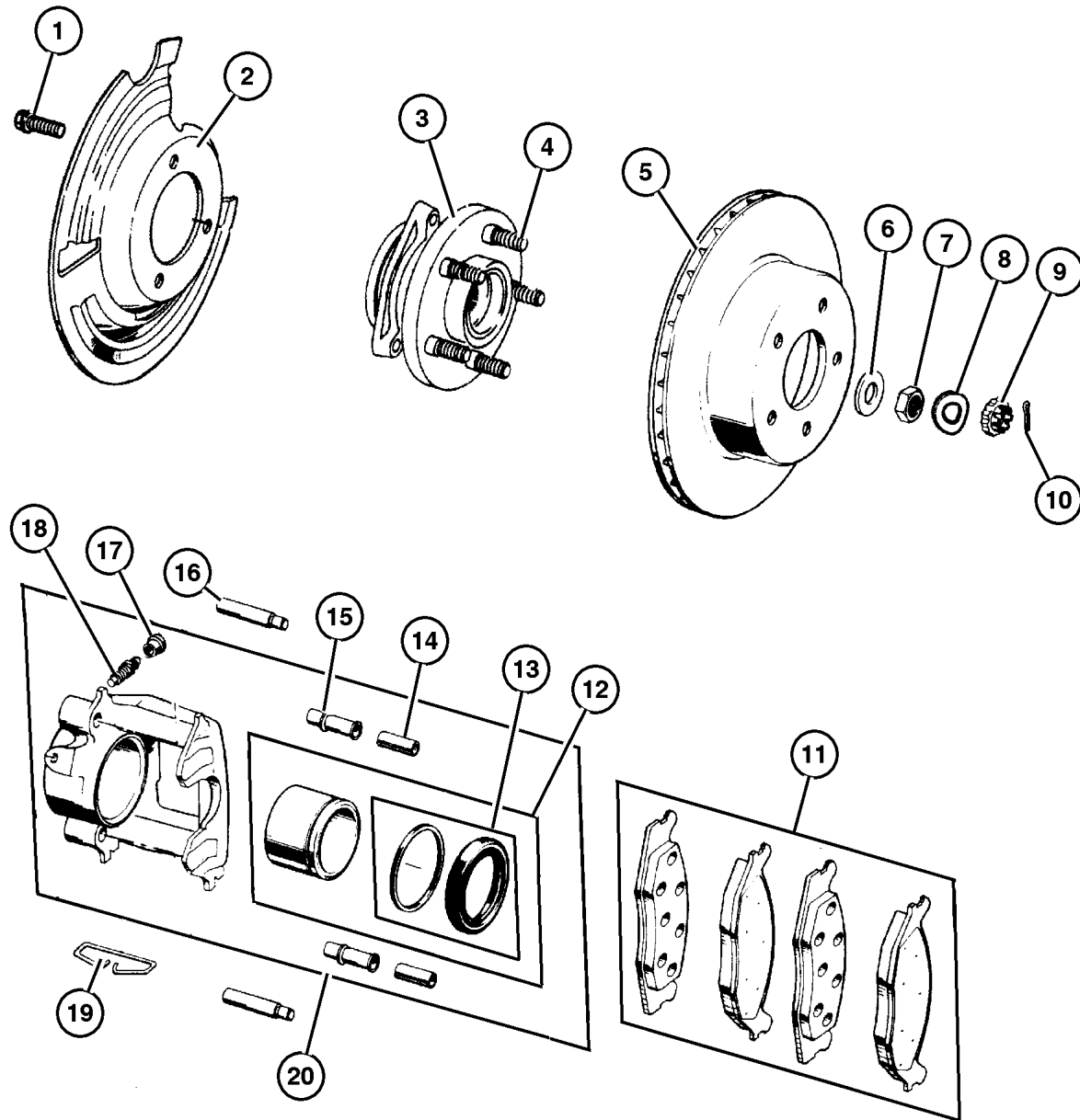
Brake Pedal, LHD Fig. 005-610

Brake Pedal, RHD Fig. 005-620



<p>005-100 Front Brakes</p> 	<p>005-200 Rear Brakes</p> 	<p>005-300 Power Brake Booster</p> 	<p>005-400 Brake Master Cylinder</p> 
<p>005-500 Brake Lines and Hoses</p> 	<p>005-600 Brake Pedals</p> 		

Front Brakes Figure 005-110



ITEM	PART NUMBER	QTY	LINE	SERIES	BODY	ENGINE	TRANS	TRIM	DESCRIPTION
1									BOLT
	3420 1535	6	J						Knuckle to Hub and Bearing, Mounting
		1	U						Knuckle to Hub and Bearing, Mounting
2									SHIELD, Brake
	5200 5476	1	J						Right
	5200 5477	1	J						Left
		1	U						Right
	5200 5476	1	U						Left
3									HUB AND BEARING, Brake
	5016 458AA	2	J						
		2	U						
4									STUD, Hub
	6036 194AA	5	J						
		5	U						
5									ROTOR, Brake
	52008 440AB	2	J						
		2	U						
6									WASHER, Flat
	J420 0096	2	J						
		2	U						
7									NUT, Hex
	J420 0095	2	J						
		2	U						
8									WASHER, Wave
	4740 749	2	J						
		2	U						
9									RETAINER, Hub Nut
	J420 0097	2	J						
		2	U						
10									PIN, Cotter, M4x40.00
	1101 0069	2	J						
		1	U						
11									PAD KIT, Front Disc Brake
	4883 344AD	1	J						
		1	U						
12									PISTON, Brake
	5252 614	1	J						
		1	U						
13									BOOT AND SEAL, Disc Brake
	J813 3852	1	J						

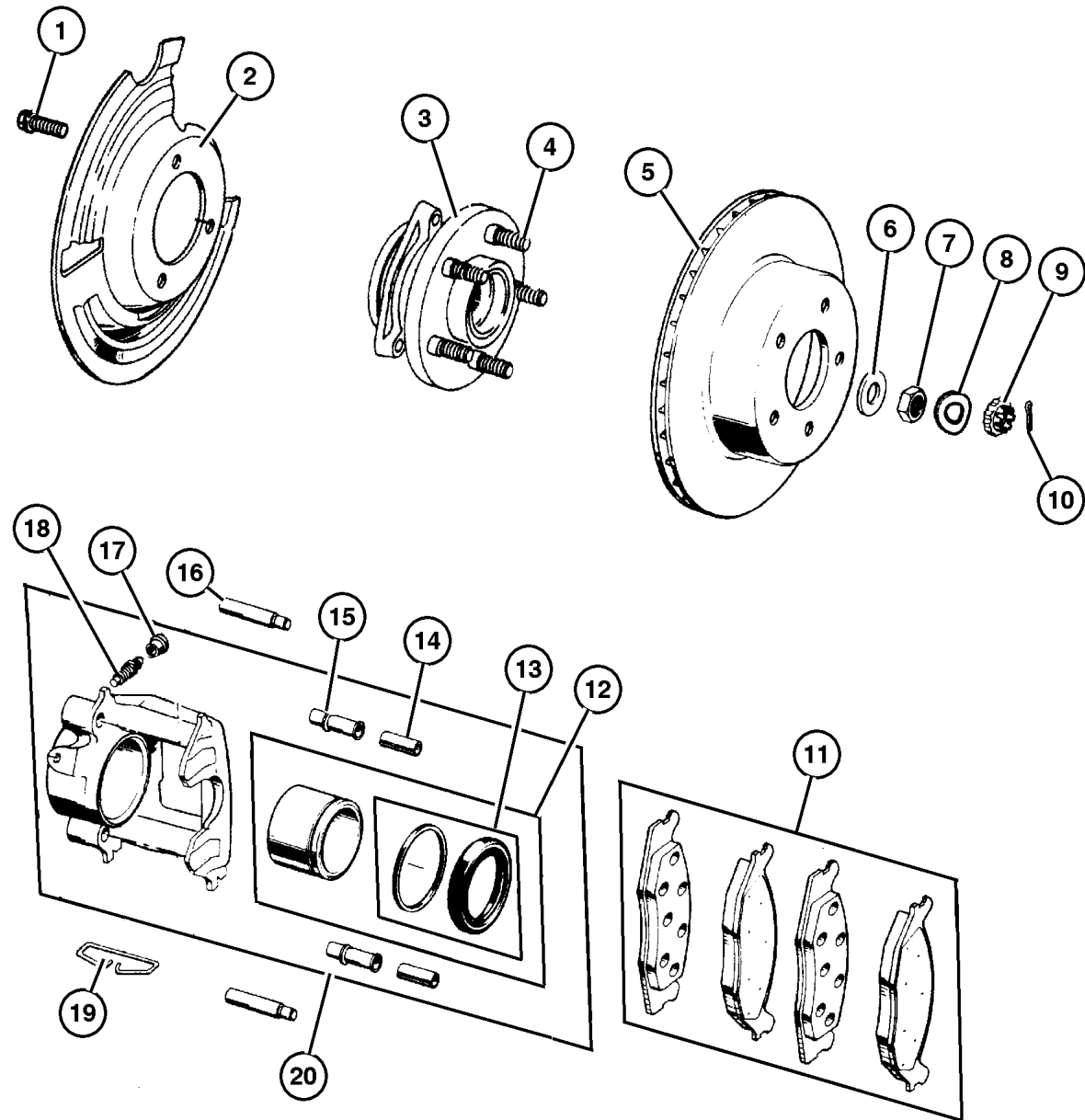
JEEP WRANGLER (TJ)

SERIES	LINE	BODY	ENGINE	TRANSMISSION
H = Sport	J = Wrangler 4WD	77 = 93.4 WB	EPE, EP0 = 2.5L Power Tech	DGG, DGD = 32RH 3 Spd. Auto.
L = SE	U = Wrangler 4WD (RHD)		ERH, ER0 = 4.0L Power Tech	DDQ = 5 Spd. Manual
M = X				DDD = 5 Speed HD Manual
P = Sahara				DG0 = Auto. Trans.
				DBB = Manual Trans.

AR = Use as required - = Non illustrated part # = New this model year

January 26, 2004

Front Brakes Figure 005-110



ITEM	PART NUMBER	QTY	LINE	SERIES	BODY	ENGINE	TRANS	TRIM	DESCRIPTION
		1	U						
14	4383 471	2	J						BUSHING, Disc Brake Caliper
		2	U						
15	4423 573	2	J						SLEEVE, Disc Brake Caliper
		1	U						
16	5253 000	4	J						PIN, Caliper
		4	U						
17	4238 717	1	J						CAP, Bleeder
		1	U						
18	J320 3313	1	J						SCREW, Bleeder
		1	U						
19	J323 9865	2	J						CLIP, Brake Caliper
		2	U						
20	5252 984	1	J						CALIPER, Disc Brake Right
	5252 985	1	J						Left
	5252 984	1	U						Right
	5252 985	1	U						Left

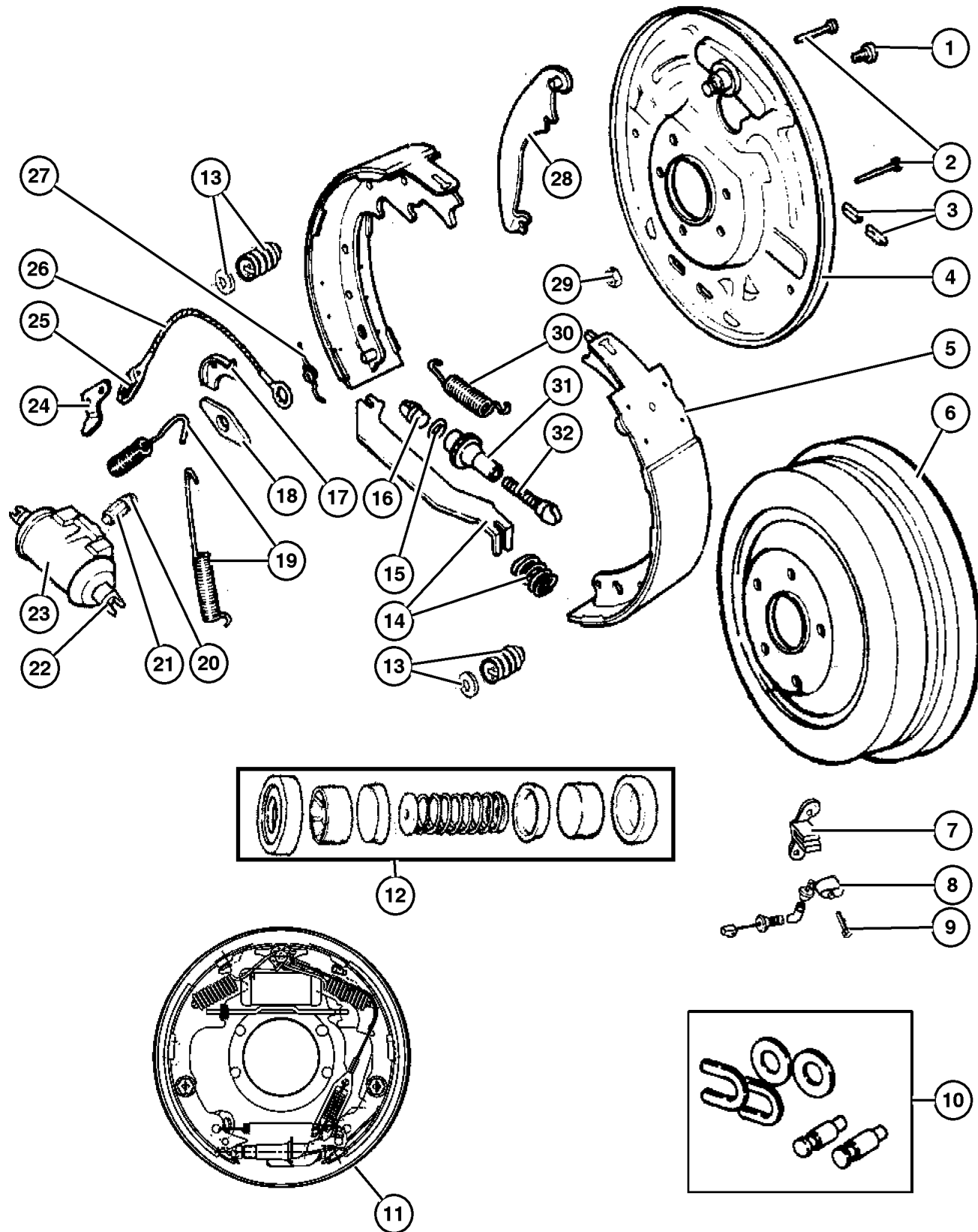
JEEP WRANGLER (TJ)

SERIES	LINE	BODY	ENGINE	TRANSMISSION
H = Sport	J = Wrangler 4WD	77 = 93.4 WB	EPE, EP0 = 2.5L Power Tech	DGG, DGD = 32RH 3 Spd. Auto.
L = SE	U = Wrangler 4WD (RHD)		ERH, ER0 = 4.0L Power Tech	DDQ = 5 Spd. Manual
M = X				DDD = 5 Speed HD Manual
P = Sahara				DG0 = Auto. Trans.
				DBB = Manual Trans.

AR = Use as required - = Non illustrated part # = New this model year

January 26, 2004

Rear Drum Brakes Figure 005-210



ITEM	PART NUMBER	QTY	LINE	SERIES	BODY	ENGINE	TRANS	TRIM	DESCRIPTION
Note: Sales Codes;									
BGA=Brakes,- Power Front Disc/Rear Drums									
BGK=Brakes - 4-Wheel Antilock									
1	4423 678	2	J						BOLT, Wheel Cylinder Mounting
2	2260 548	2	J						PIN, Brake Shoe Hold Down
3	4238 721	3	J						PLUG, Brake Adjusting Hole
4	5017 760AA	1	J						PLATE, Brake Backing
	5017 761AA	1	J						[BGA], Right
	4856 718AB	1	J						[BGK], Right
	4856 719AB	1	J						[BGK], Left
5	5017 760AA	1	U						[BGA], Right
	5017 761AA	1	U						[BGA], Left
	5019 536AA	1	J						SHOE AND LINING KIT, drum
6	5200 5350	2	J						DRUM, Brake
		2	U						
7	5200 7804	1	J						BRACKET, Brake Sensor Right
	5200 7805	1	J						Left
8	5602 7728	1	J						SENSOR, Anti-Lock Brakes Right
	5602 7729	1	J						Left
9	8350 4920	2	J						BOLT, Sensor, Mounting
10	4049 681	1	J						HARDWARE PACKAGE, Rear Brake
		1	U						
11	52008 664AC	1	J						BRAKE ASSEMBLY, Rear Drum [BGA] Complete Less Drum, Right
	52008 665AC	1	J						[BGA] Complete Less Drum, Left
	52008 666AC	1	J						[BGK] Complete Less Drum, Right
	52008 667AC	1	J						[BGK] Complete Less Drum, Left
	52008 664AC	1	U						[BGA] Complete Less Drum, Right
	52008 665AC	1	U						[BGA] Complete Less Drum, Left
12									REPAIR KIT, Wheel Cylinder

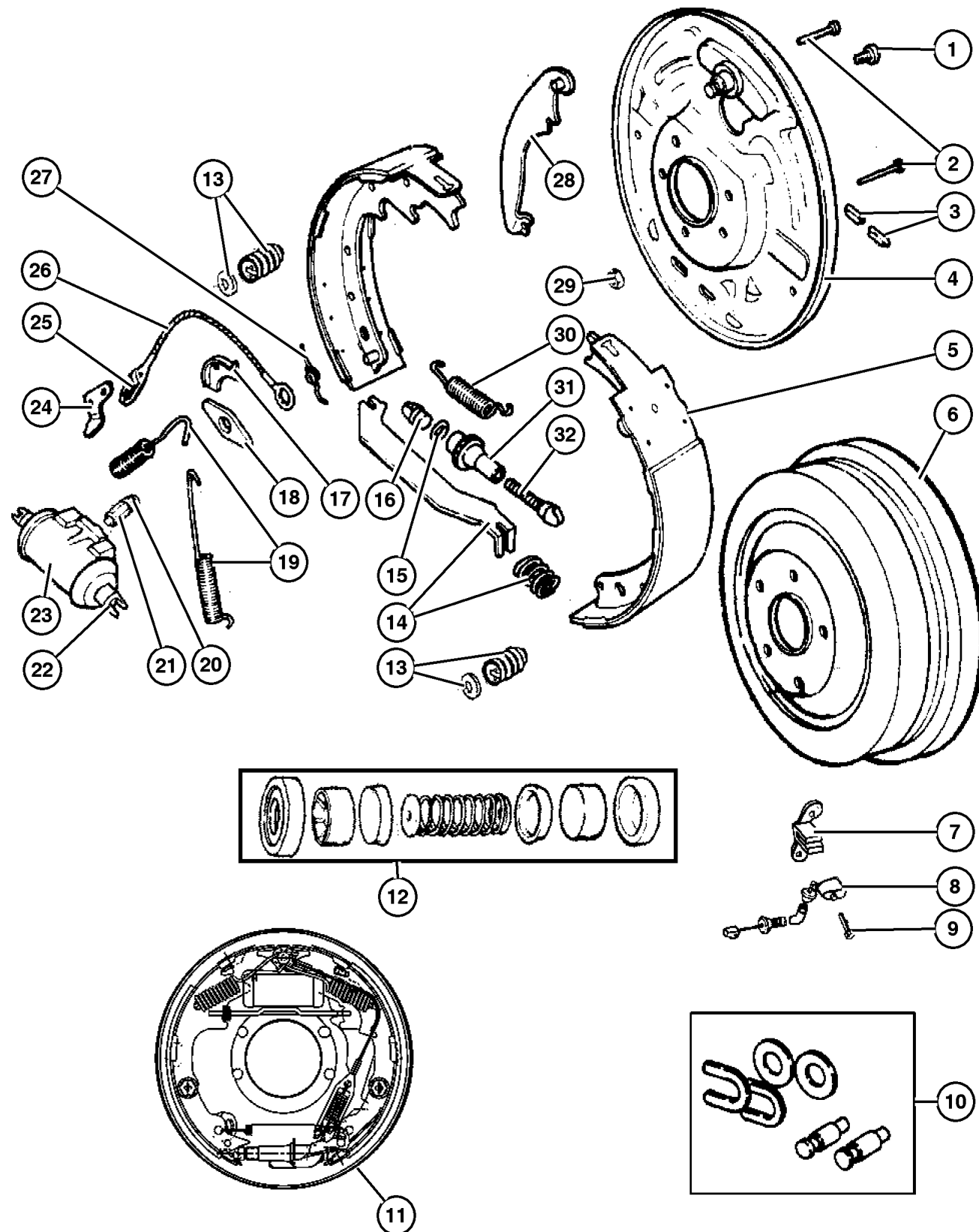
JEEP WRANGLER (TJ)

SERIES	LINE	BODY	ENGINE	TRANSMISSION
H = Sport	J = Wrangler 4WD	77 = 93.4 WB	EPE, EP0 = 2.5L Power Tech	DGG, DGD = 32RH 3 Spd. Auto.
L = SE	U = Wrangler 4WD (RHD)		ERH, ER0 = 4.0L Power Tech	DDQ = 5 Spd. Manual
M = X				DDD = 5 Speed HD Manual
P = Sahara				DG0 = Auto. Trans.
				DBB = Manual Trans.

AR = Use as required - = Non illustrated part # = New this model year

January 26, 2004

Rear Drum Brakes Figure 005-210



ITEM	PART NUMBER	QTY	LINE	SERIES	BODY	ENGINE	TRANS	TRIM	DESCRIPTION
	5252 631	1	J						
13		1	U						SPRING, Brake Shoe Hold Down
	4313 062	2	J						
		2	U						
14									STRUT, Parking Brake
	4713 590	1	J						
		1	U						
15									WASHER, Adjuster Button
	6027 559	1	J						
		1	U						
16									BUTTON, Rear Brake Auto Adjust
	2944 586	1	J						
		1	U						
17									GUIDE, Brake Adjusting Cable
	4313 074	1	J						
		1	U						
18									PLATE, Brake Shoe Guide
	4313 075	1	J						
		1	U						
19									SPRING, Brake Shoe Return
	2881 676	1	J						
		2	U						
20									CAP, Bleeder
	4238 717	1	J						
		1	U						
21									SCREW, Bleeder
	3766 674	1	J						
		1	U						
22									LINK, Brake, Part of Brake Shoe (Not Serviced) (NOT REQUIRED) (NOT SERVICED)
23									CYLINDER, Wheel
	4313 056	1	J						
		1	U						
24									LEVER, Park Brake Adjusting
	3461 665	1	J						
		1	U						
25									SPRING, Adjuster Cable
	3461 660	1	J						
		1	U						
26									CABLE, Brake Automatic Adjuster

JEEP WRANGLER (TJ)

SERIES
H = Sport
L = SE
M = X
P = Sahara

LINE
J = Wrangler 4WD
U = Wrangler 4WD (RHD)

BODY
77 = 93.4 WB

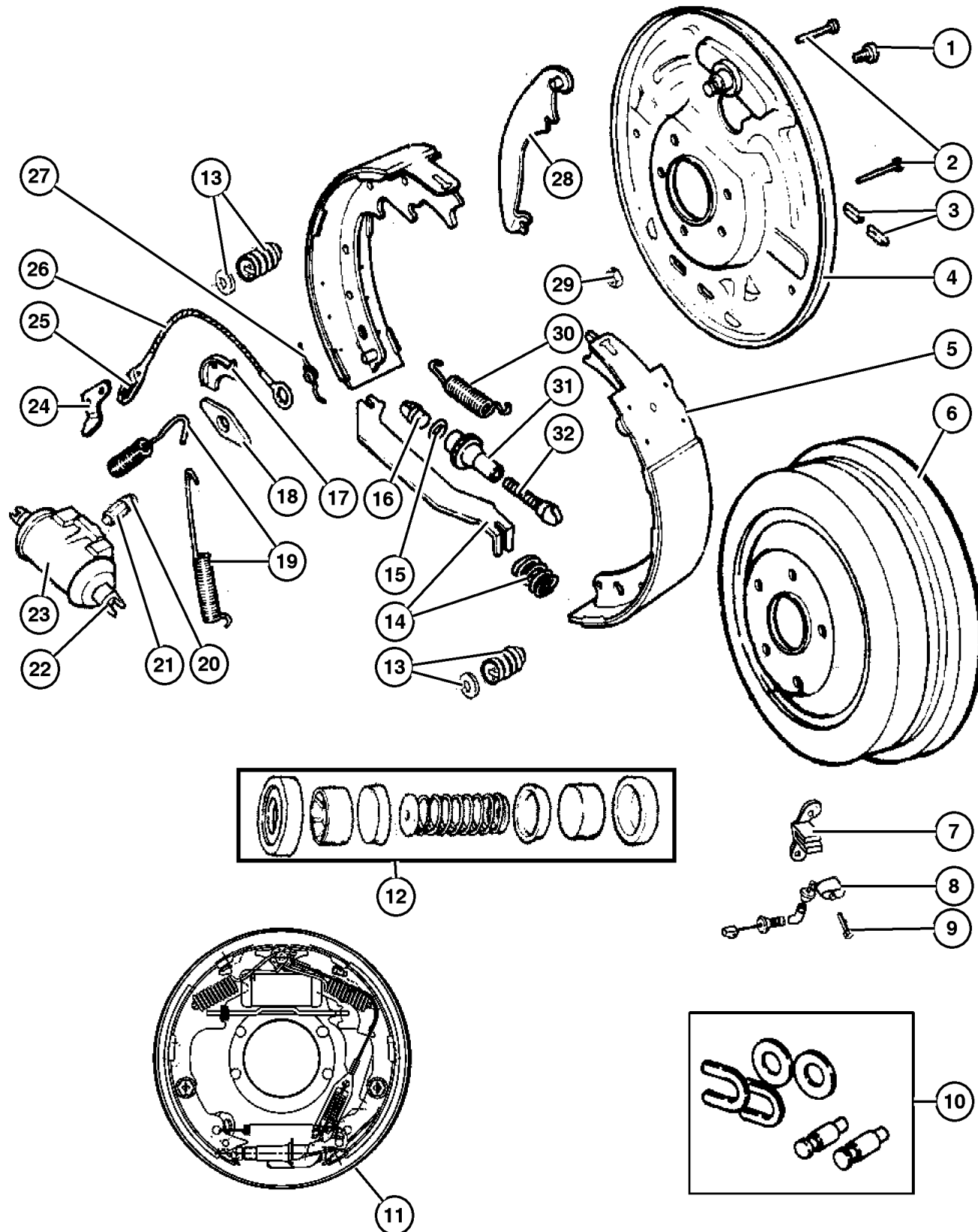
ENGINE
EPE, EP0 = 2.5L Power Tech
ERH, ER0 = 4.0L Power Tech

TRANSMISSION
DGG, DGD = 32RH 3 Spd. Auto.
DDQ = 5 Spd. Manual
DDD = 5 Speed HD Manual
DG0 = Auto. Trans.
DBB = Manual Trans.

AR = Use as required - = Non illustrated part # = New this model year

January 26, 2004

Rear Drum Brakes Figure 005-210



ITEM	PART NUMBER	QTY	LINE	SERIES	BODY	ENGINE	TRANS	TRIM	DESCRIPTION
	3461 662	1	J						
27	2944 580	1	J						SPRING, Brake Auto Adjuster Lever Right
	2944 581	1	J						Left
	2944 580	1	U						Right
	2944 581	1	U						Left
28	4313 810	1	J						LEVER, Park Brake Right
	4313 811	1	J						Left
	4313 810	1	U						Right
	4313 811	1	U						Left
29	J941 1783	8	J						NUT
		8	U						Backing Plate to Axle Housing, Mounting
30	4423 085	1	J						SPRING, Brake Shoe to Shoe
		1	U						Backing Plate to Axle Housing, Mounting
31	2944 692	1	J						NUT, Rear Brake Auto Adjust Pivot Right
	2944 693	1	J						Left
	2944 692	1	U						Right
	2944 693	1	U						Left
32	4423 898	1	J						SCREW, Brake Adjusting Right
	4423 899	1	J						Left
	4423 898	1	U						Right
	4423 899	1	U						Left

JEEP WRANGLER (TJ)

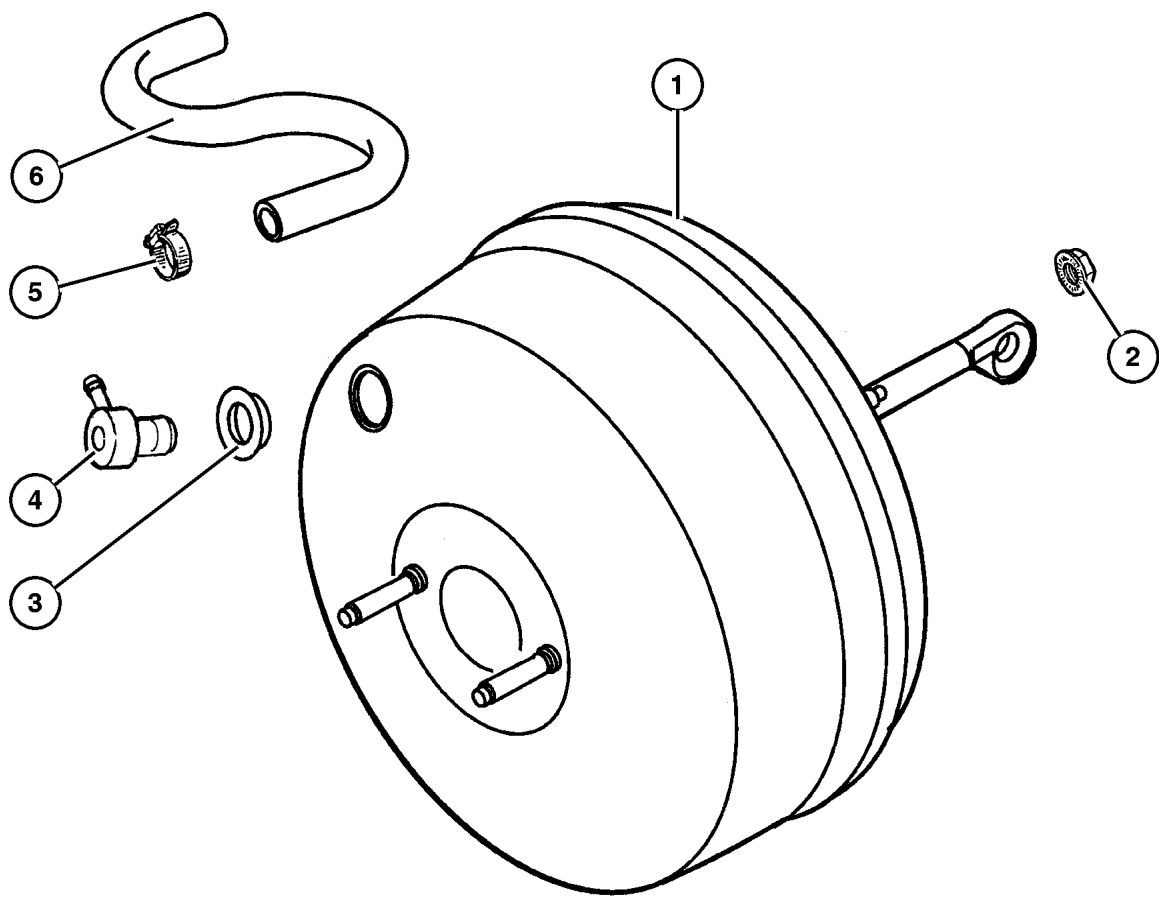
SERIES	LINE	BODY	ENGINE	TRANSMISSION
H = Sport	J = Wrangler 4WD	77 = 93.4 WB	EPE, EP0 = 2.5L Power Tech	DGG, DGD = 32RH 3 Spd. Auto.
L = SE	U = Wrangler 4WD (RHD)		ERH, ER0 = 4.0L Power Tech	DDQ = 5 Spd. Manual
M = X				DDD = 5 Speed HD Manual
P = Sahara				DG0 = Auto. Trans.
				DBB = Manual Trans.

AR = Use as required - = Non illustrated part # = New this model year

January 26, 2004

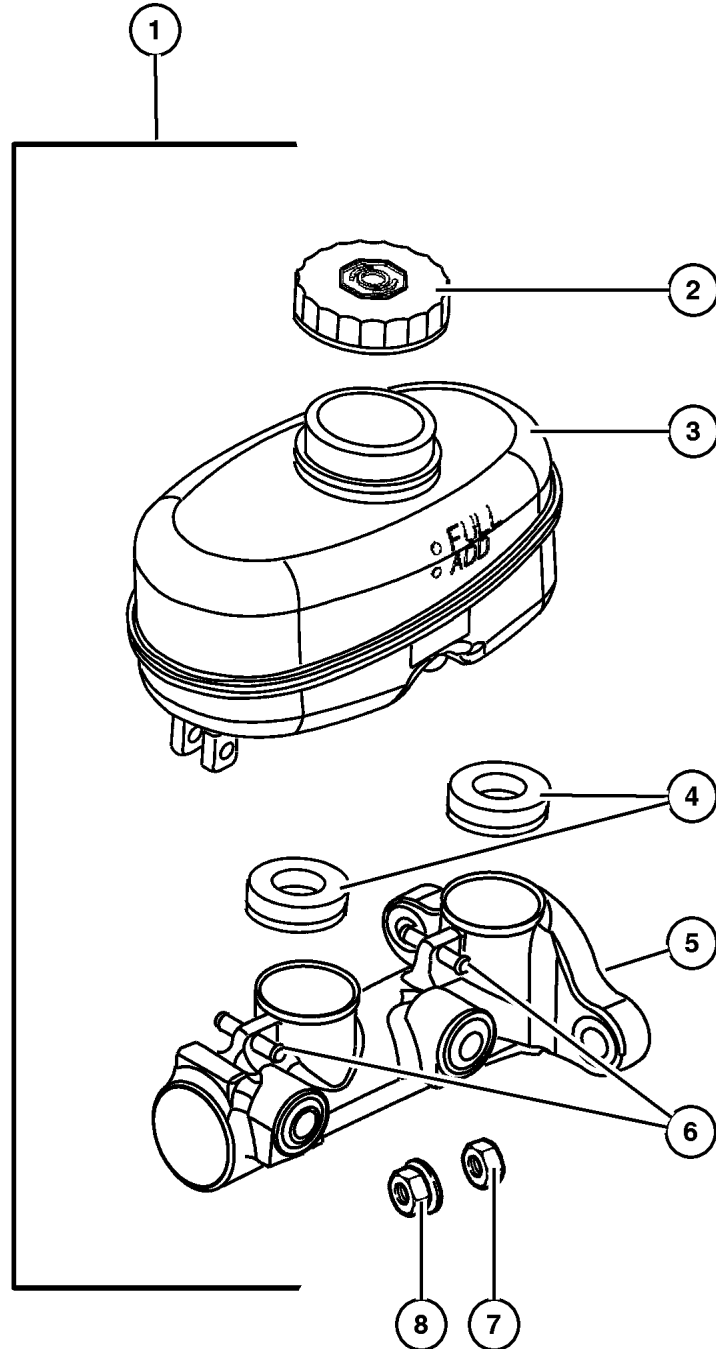
**Power Brake Booster
Figure 005-310**

ITEM	PART NUMBER	QTY	LINE	SERIES	BODY	ENGINE	TRANS	TRIM	DESCRIPTION
Note:Sales Codes;									
[EP0]=Engines - All 2.5L 4 Cylinder Gas									
[ER0]=Engines - All 4.0L 6 Cylinder Gas									
1	4798 158AC	1							BOOSTER, Power Brake
2	J400 3909	4							NUT, Hex Flange With Serration, Booster to Dash, Mounting
3	4883 813AA	1							GROMMET, Brake Booster Check Valve
4	4584 098	1							VALVE, Brake Booster Check
5	2448 770	2							CLAMP, Hose
6									HOSE, Brake Booster
	5212 8229	1	J						[EP0]
	3879 277	1	J						[ER0]
	52008 715AB	1	U						[EP0]
	52128 389AA	1	U						[ER0]



JEEP WRANGLER (TJ)			
SERIES	LINE	BODY	ENGINE
H = Sport	J = Wrangler 4WD	77 = 93.4 WB	EPE, EP0 = 2.5L Power Tech
L = SE	U = Wrangler 4WD (RHD)		ERH, ER0 = 4.0L Power Tech
M = X			
P = Sahara			
			TRANSMISSION
			DGG, DGD = 32RH 3 Spd. Auto.
			DDQ = 5 Spd. Manual
			DDD = 5 Speed HD Manual
			DG0 = Auto. Trans.
			DBB = Manual Trans.

**Master Cylinder
Figure 005-410**



ITEM	PART NUMBER	QTY	LINE	SERIES	BODY	ENGINE	TRANS	TRIM	DESCRIPTION
1	4798 157	1							MASTER CYLINDER, Brake
2	4683 656	1							CAP, Master Cylinder Reservoir
3	4761 943	1							RESERVOIR, Brake Master Cylinder, Includes items 4,5,6
4	4723 389	2							GROMMET, Master Cylinder Reservoir, Mounting
5	4723 395	1							SEAL, Master Cylinder To Booster, Mounting
6	4723 394	1							PIN, Master Cylinder Reservoir, Mounting
7	5017 194AA	2							NUT, Master Cylinder to Brake Booster Stud, Mounting
8	3420 1711	2							NUT, Hex Flange, M8x1.25, Combination Valve Bracket to Master Cylinder Stud, Mounting

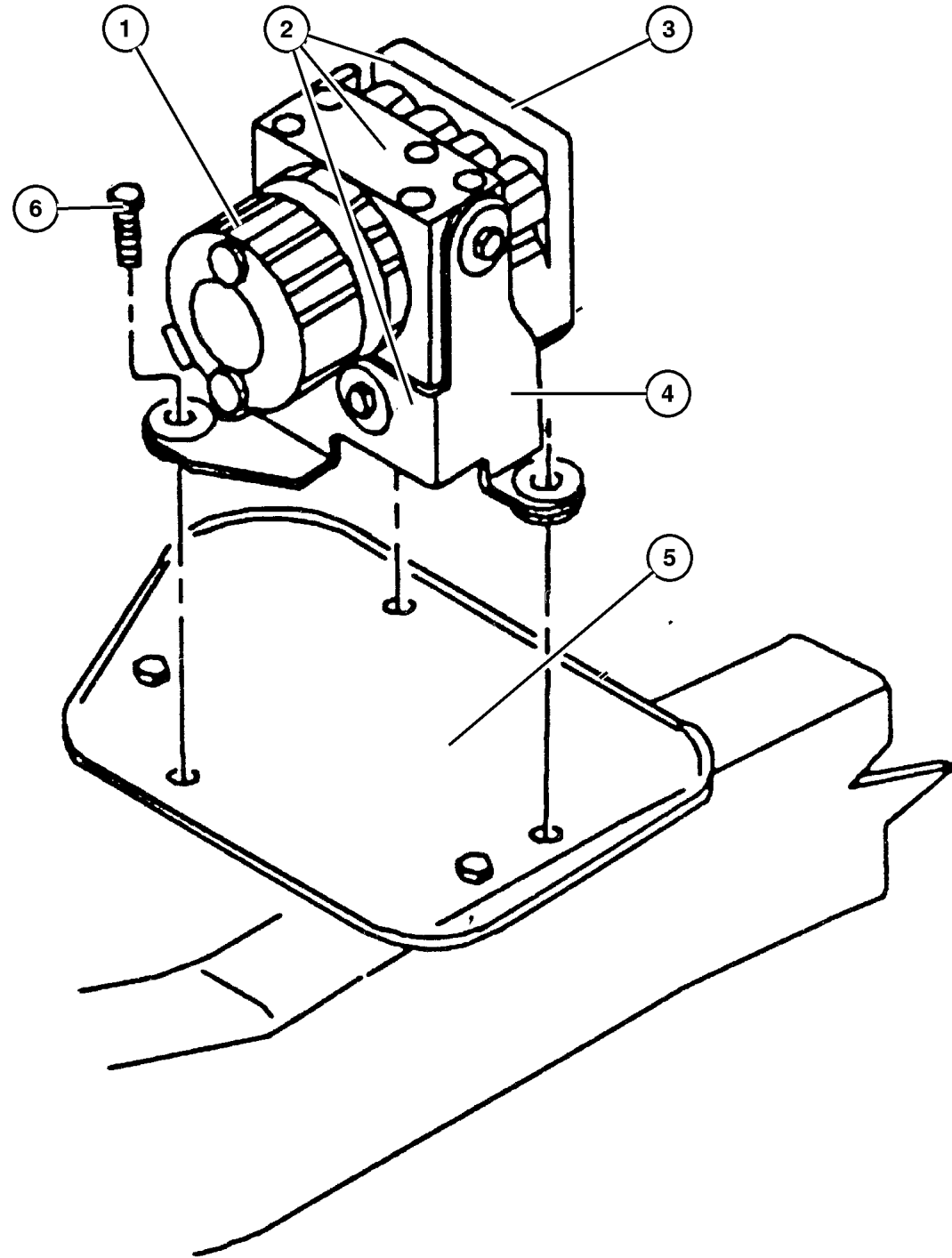
JEEP WRANGLER (TJ)			
SERIES	LINE	BODY	ENGINE
H = Sport	J = Wrangler 4WD	77 = 93.4 WB	EPE, EP0 = 2.5L Power Tech
L = SE	U = Wrangler 4WD (RHD)		ERH, ER0 = 4.0L Power Tech
M = X			
P = Sahara			

TRANSMISSION
DGG, DGD = 32RH 3 Spd. Auto.
DDQ = 5 Spd. Manual
DDD = 5 Speed HD Manual
DG0 = Auto. Trans.
DBB = Manual Trans.

AR = Use as required - = Non illustrated part # = New this model year

January 26, 2004

**Hydraulic Control Unit, Anti-lock
Figure 005-510**



ITEM	PART NUMBER	QTY	LINE	SERIES	BODY	ENGINE	TRANS	TRIM	DESCRIPTION
1	5073 778AA	1							CONTROL UNIT, Anti-Lock Brake
2	52128 487AA	1							CONTROL UNIT, Anti-Lock Brake, Complete Assembly with Items 1, 3,4
3	5073 793AA	1							MODULE, Anti-lock Brakes
4	5066 564AA	1							BRACKET, Brake Control Unit, HCU, Mounting
5	55176 141AB	1		J					BRACKET, ABS Sensor HCU Mounting Tray
	5517 6142	1		U					HCU Mounting Tray
6	3420 1888	3							SCREW, Hex Head, HCU Bracket to Tray, Mounting

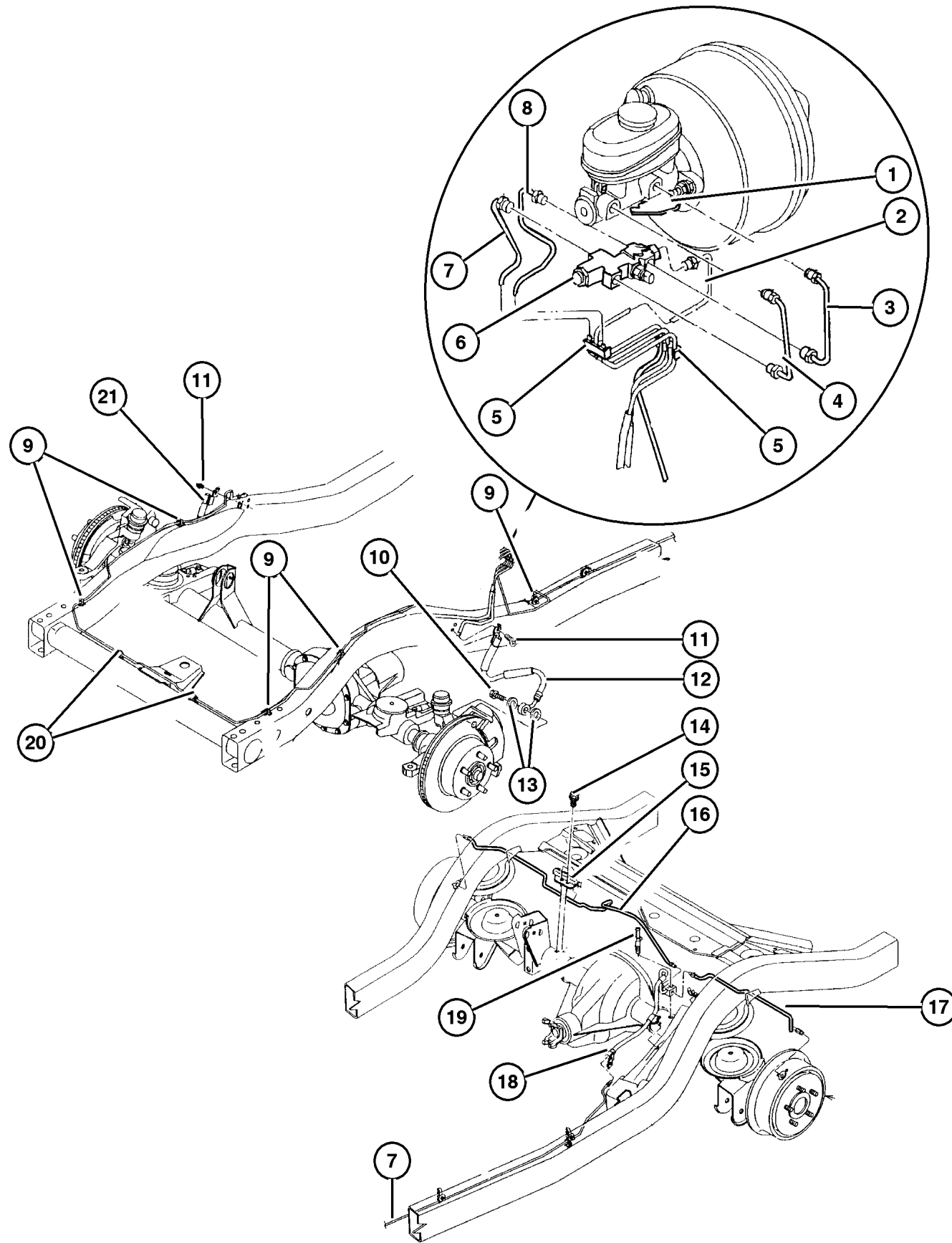
JEEP WRANGLER (TJ)

SERIES	LINE	BODY	ENGINE	TRANSMISSION
H = Sport	J = Wrangler 4WD	77 = 93.4 WB	EPE, EP0 = 2.5L Power Tech	DGG, DGD = 32RH 3 Spd. Auto.
L = SE	U = Wrangler 4WD (RHD)		ERH, ER0 = 4.0L Power Tech	DDQ = 5 Spd. Manual
M = X				DDD = 5 Speed HD Manual
P = Sahara				DG0 = Auto. Trans.
				DBB = Manual Trans.

AR = Use as required - = Non illustrated part # = New this model year

January 26, 2004

Brake Lines and Hoses,Front,LHD and Rear,LHD,RHD,without ABS
Figure 005-520

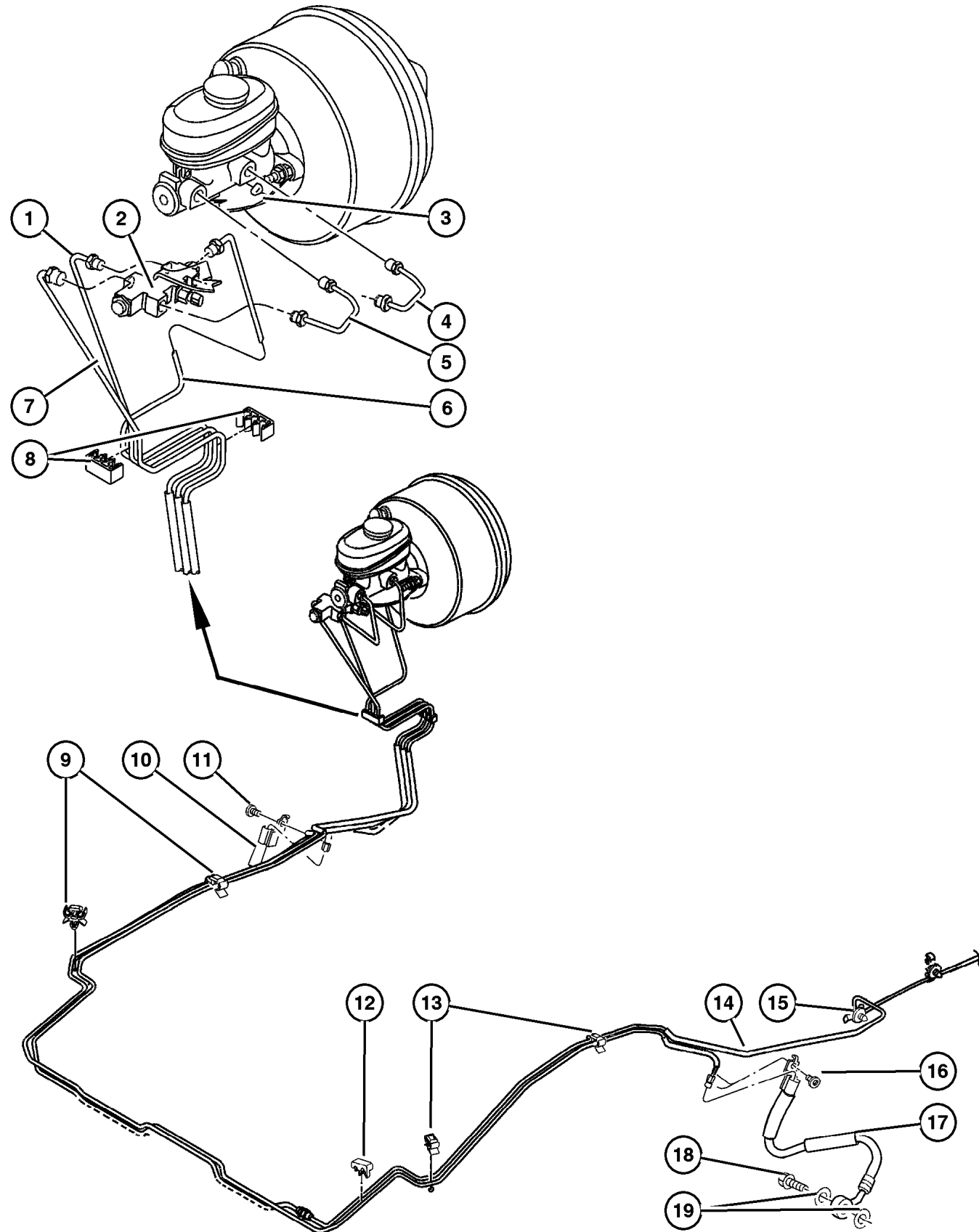


ITEM	PART NUMBER	QTY	LINE	SERIES	BODY	ENGINE	TRANS	TRIM	DESCRIPTION
Note:Sales Codes;									
[DRJ]=Axle - Rear,Dana M35/194MM									
[DRK]=Axle - Rear,Dana 44/226MM									
1	5212 7970	1							BRACKET, Brake Valve
2	5200 8443	1	J						TUBE, Brake, Proportioning Valve to Left Front Brake Hose
3	5200 8399	1							TUBE, Brake, Master Cylinder to Proportioning Valve, Secondary
4	5200 8398	1							TUBE, Brake, Master Cylinder to Proportioning Valve, Primary
5	52128 245AB	2							CLIP, Brake Tube, Line Spacer
6	5200 9115	1							VALVE, Proportioning
7	5200 8385	1	J						TUBE, Brake, Proportioning Valve to Rear Brake Hose
8	52008 442AC	1	J						TUBE, Brake, Proportioning Valve to Right Front Brake Hose
9	3420 2688	5	J						CLIP, Latch&Line, Brake Line to Frame, Mounting
10	6035 832	2							BOLT, Banjo, Brake Hose, Mounting
11	3420 1670	2							SCREW, Pan Head, M8-1.25x13, Front brake Hose to Frame, Mounting
12	52008 675AC	1							HOSE, Brake, Front, Left
13	6035 886	4							GASKET, Brake Hose To Caliper, Mounting
14	3420 1912	1							SCREW, Self Tapping, M6x1x14, Brake Tube Shield to Axle Tube, Mounting
15	5212 8189	1							SHIELD, Brake Line, Rear Axle
16	5200 8402	1							TUBE, Brake [DRJ], Right
	5200 9092	1							[DRK], Right
17	5200 8403	1							TUBE, Brake [DRJ], Left
	5200 9093	1							[DRK], Left
18	5200 8391	1							HOSE, Brake, Rear
19	4137 696	1							SCREW, Brake Tee, .437-20x2.07, Axle Vent and Hose, Mounting
20	5212 8175	2							CLIP, Brake Attaching Tube, 3 Way, Double Tube Brake line, Mounting
21	52008 674AC	1							HOSE, Brake, Front, Right

JEEP WRANGLER (TJ)

SERIES	LINE	BODY	ENGINE	TRANSMISSION
H = Sport	J = Wrangler 4WD	77 = 93.4 WB	EPE, EP0 = 2.5L Power Tech	DGG, DGD = 32RH 3 Spd. Auto.
L = SE	U = Wrangler 4WD (RHD)		ERH, ER0 = 4.0L Power Tech	DDQ = 5 Spd. Manual
M = X				DDD = 5 Speed HD Manual
P = Sahara				DG0 = Auto. Trans.
				DBB = Manual Trans.

Brake Lines and Hoses,Front,RHD,without ABS
Figure 005-530



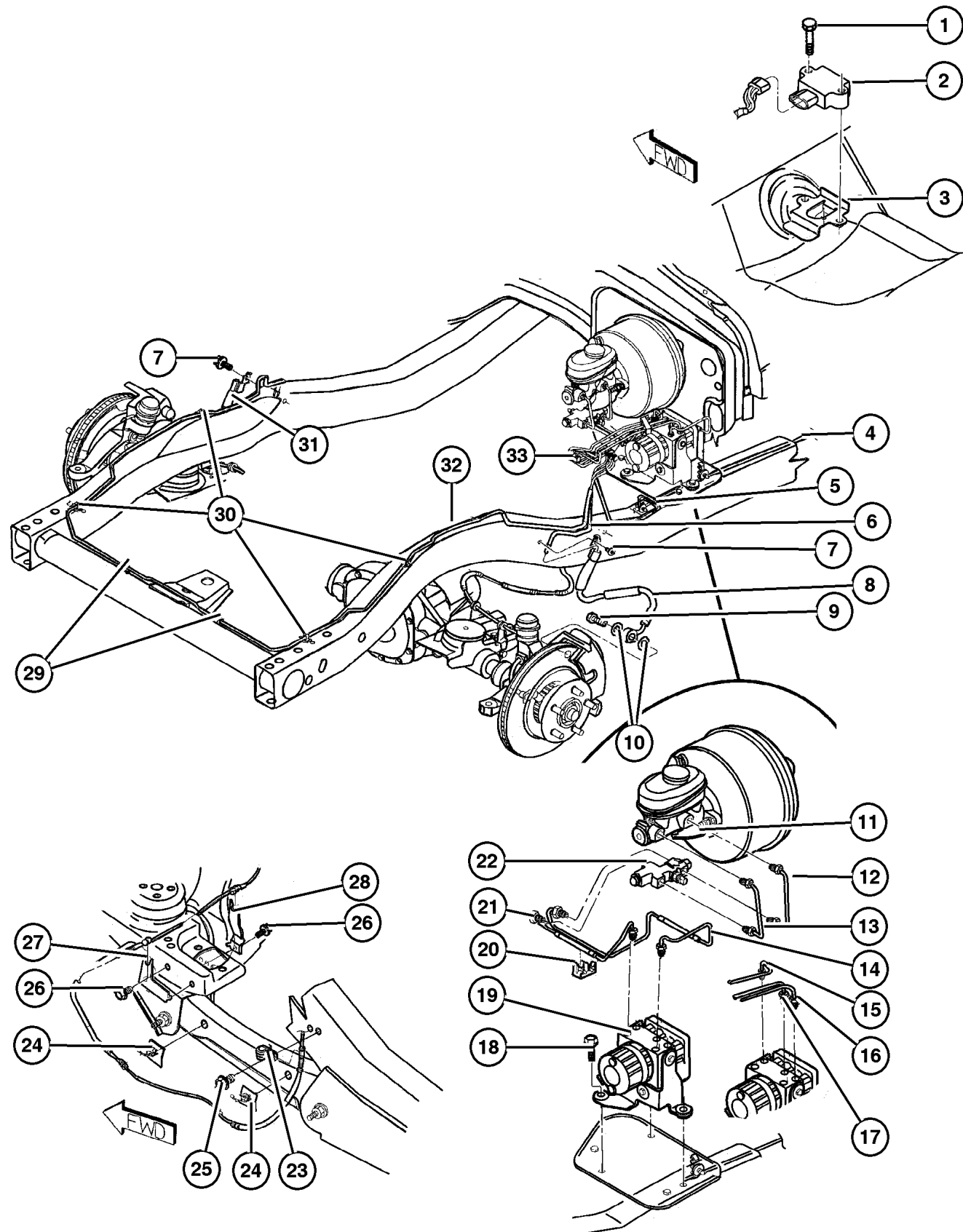
ITEM	PART NUMBER	QTY	LINE	SERIES	BODY	ENGINE	TRANS	TRIM	DESCRIPTION
1	52009 095AD	1	U						TUBE, Brake, Proportioning Valve to Left Front Brake Hose
2	5200 9115	1							VALVE, Proportioning
3	5212 7970	1							BRACKET, Brake Valve
4	5200 8399	1							TUBE, Brake, Master Cylinder to Proportioning Valve, Secondary
5	5200 8398	1							TUBE, Brake, Master Cylinder to Proportioning Valve, Primary
6	52009 094AB	1	U						TUBE, Brake, Proportioning Valve to Tube Coupling
7	52008 930AC	1	U						TUBE, Brake, Proportioning Valve to Right Front Brake Hose
8	52128 245AB	2							CLIP, Brake Tube, 3 Way, Mounting
9	5212 8175	2							CLIP, Brake Attaching Tube, 3 Way, Brake Line to Frame, Mounting
10	52008 674AC	1							HOSE, Brake, Right
11	3420 1670	2							SCREW, Pan Head, M8-1.25x13, Hose to Frame, Mounting
12	5200 8940	1							CLIP, Brake Line, 2 Way, Mounting
13	5212 8175	2							CLIP, Brake Attaching Tube, 3 Way, Brake Line to Frame, Mounting
14	52008 982AC	1	U						TUBE, Brake, Tube Coupling to Rear Brake Hose
15	3420 2688	1	U						CLIP, Latch&Line, 1 Way, Mounting
16	3420 1670	2							SCREW, Pan Head, M8-1.25x13, Hose to Frame, Mounting
17	52008 675AC	1							HOSE, Brake, Left
18	6035 832	2							BOLT, Banjo, Right or Left
19	6035 886	4							GASKET, Brake Hose To Caliper, Mounting

JEEP WRANGLER (TJ)

SERIES	LINE	BODY	ENGINE	TRANSMISSION
H = Sport	J = Wrangler 4WD	77 = 93.4 WB	EPE, EP0 = 2.5L Power Tech	DGG, DGD = 32RH 3 Spd. Auto.
L = SE	U = Wrangler 4WD (RHD)		ERH, ER0 = 4.0L Power Tech	DDQ = 5 Spd. Manual
M = X				DDD = 5 Speed HD Manual
P = Sahara				DG0 = Auto. Trans.
				DBB = Manual Trans.

AR = Use as required - = Non illustrated part # = New this model year

Brake Lines and Hoses Front,LHD,with ABS
Figure 005-540



ITEM	PART NUMBER	QTY	LINE	SERIES	BODY	ENGINE	TRANS	TRIM	DESCRIPTION
1	6035 991AA	2							SCREW, Hex Flange Head, Acceleration Switch, Mounting
2	56006 315AB	1							SWITCH, Anti Lock Brake Accelerat
3	55177 252AA	1							BRACKET, ABS Sensor, Mounting
4	52128 482AC	1	J						TUBE, Brake, HCU to Rear Brake Hose
5	3420 2688	5	J						CLIP, Latch&Line
6	52128 484AA	1	J						TUBE, Brake, HCU to Left Front Brake Hose
7	3420 1670	2							SCREW, Pan Head, M8-1.25x13, Brake Hose to Frame, Mounting
8	52008 675AC	1							HOSE, Brake, Front, Left
9	6035 832	2							BOLT, Banjo, Front Brake Hose, Mounting
10	6035 886	4							GASKET, Brake Hose To Caliper, Mounting
11	5212 7970	1							BRACKET, Brake Valve, Mounting
12	5200 8399	1							TUBE, Brake, Master Cylinder to Proportioning Valve, Secondary
13	5200 8398	1							TUBE, Brake, Master Cylinder to Proportioning Valve, Primary
14	52128 485AA	1	J						HOSE, Brake, Proportioning Valve to HCU, Secondary
15	52128 482AA	1	J						TUBE, Brake, HCU to Rear Brake Hose
16	52128 483AA	1	J						TUBE, Brake, HCU to Right Front Brake Hose
17	52128 484AA	1	J						TUBE, Brake, HCU to Left Front Brake Hose
18	3420 1888	3							SCREW, Hex Head, HCU to Bracket, Mounting
19	52128 487AA	1							CONTROL UNIT, Anti-Lock Brake, with CAB Module
20	5200 8940	1							CLIP, Brake Line, Spacer, Mounting
21	52128 486AA	1	J						HOSE, Brake, Proportioning Valve to HCU, Primary
22	5200 8549	1							VALVE, Proportioning
23									CLIP, Brake Speed Sensor, (NOT SERVICED) (Not Serviced)
24	5212 8162	4							RETAINER, Push On, ABS Sensor Wire
25	3420 1888	2							SCREW, Hex Head
26	3420 1912	4							SCREW, Self Tapping, M6x1x14

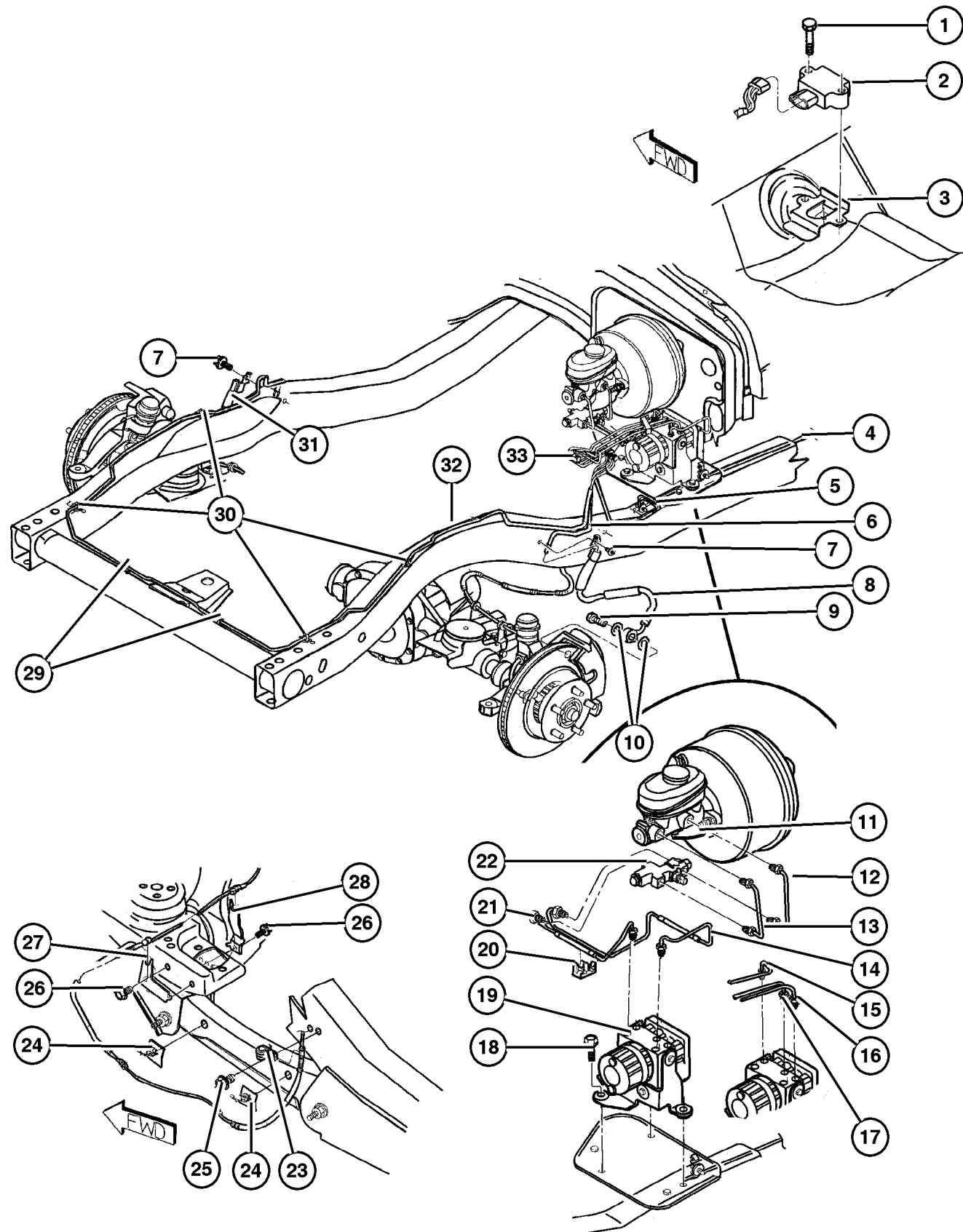
JEEP WRANGLER (TJ)

SERIES	LINE	BODY	ENGINE	TRANSMISSION
H = Sport	J = Wrangler 4WD	77 = 93.4 WB	EPE, EP0 = 2.5L Power Tech	DGG, DGD = 32RH 3 Spd. Auto.
L = SE	U = Wrangler 4WD (RHD)		ERH, ER0 = 4.0L Power Tech	DDQ = 5 Spd. Manual
M = X				DDD = 5 Speed HD Manual
P = Sahara				DG0 = Auto. Trans.
				DBB = Manual Trans.

AR = Use as required - = Non illustrated part # = New this model year

January 26, 2004

Brake Lines and Hoses Front,LHD,with ABS
Figure 005-540



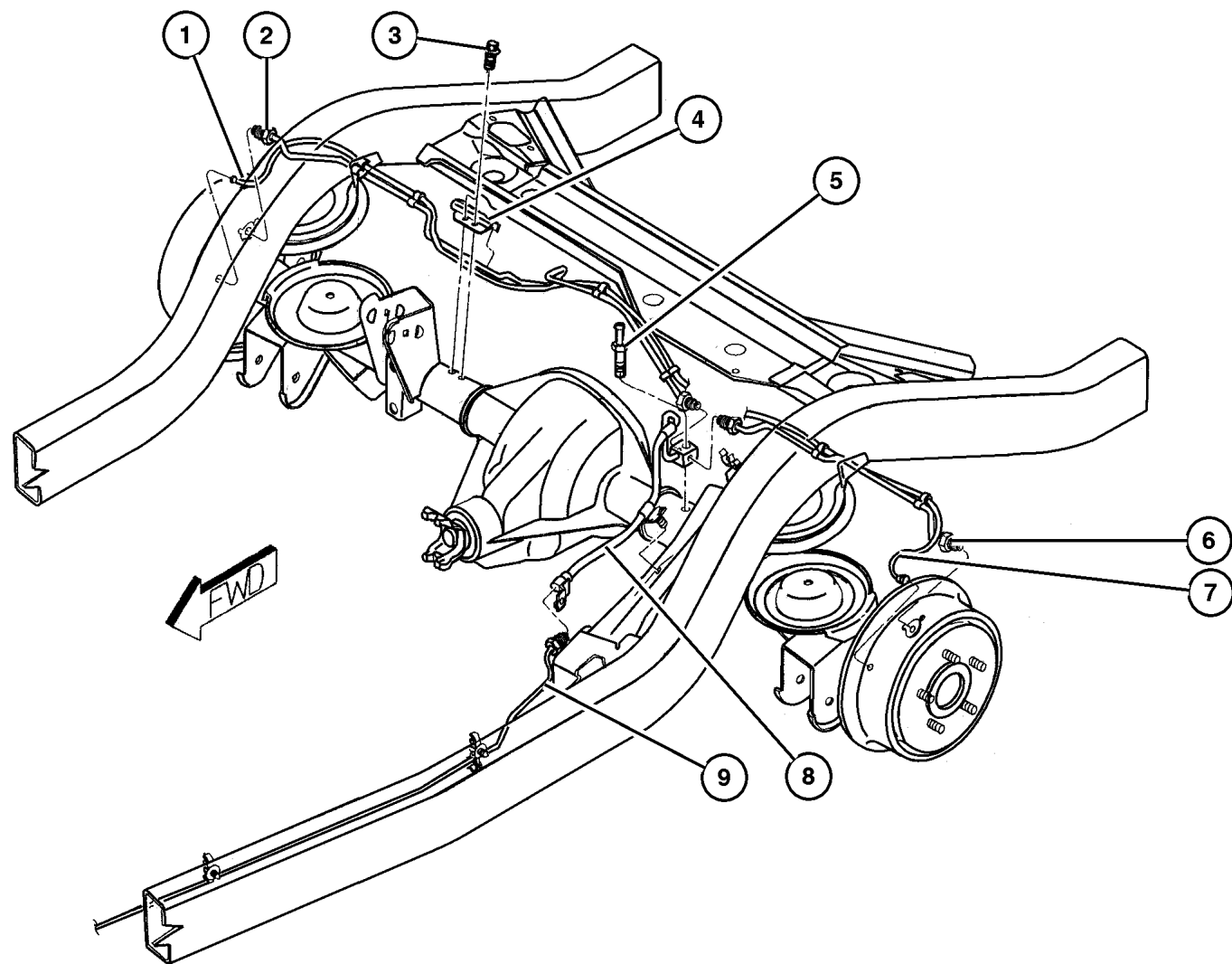
ITEM	PART NUMBER	QTY	LINE	SERIES	BODY	ENGINE	TRANS	TRIM	DESCRIPTION
27	5200 8884	1							BRACKET, Shock Absorber Inboard Sensor, Right
	5200 8885	1							Inboard Sensor, Left
28	5200 8780	1							BRACKET, Shock Absorber Outboard Sensor, Right
	5200 8781	1							Outboard Sensor, Left
29	5212 8175	2							CLIP, Brake Attaching Tube, 3 Way, Brake to to Front Frame, Mounting
30	3420 2688	5	J						CLIP, Latch&Line, Brake to to Frame Rail, Mounting
31	52008 674AC	1							HOSE, Brake, Front, Right
32	52128 483AA	1	J						TUBE, Brake, HCU to Right Front Brake Hose
33	52128 245AB	2							CLIP, Brake Tube, 3-Way Locking Spacer at Dash, Mounting

JEEP WRANGLER (TJ)
 SERIES LINE BODY ENGINE TRANSMISSION
 H = Sport J = Wrangler 4WD 77 = 93.4 WB EPE, EP0 = 2.5L Power Tech DGG, DGD = 32RH 3 Spd. Auto.
 L = SE U = Wrangler 4WD (RHD) ERH, ER0 = 4.0L Power Tech DDQ = 5 Spd. Manual
 M = X DDD = 5 Speed HD Manual
 P = Sahara DG0 = Auto. Trans.
 DBB = Manual Trans.

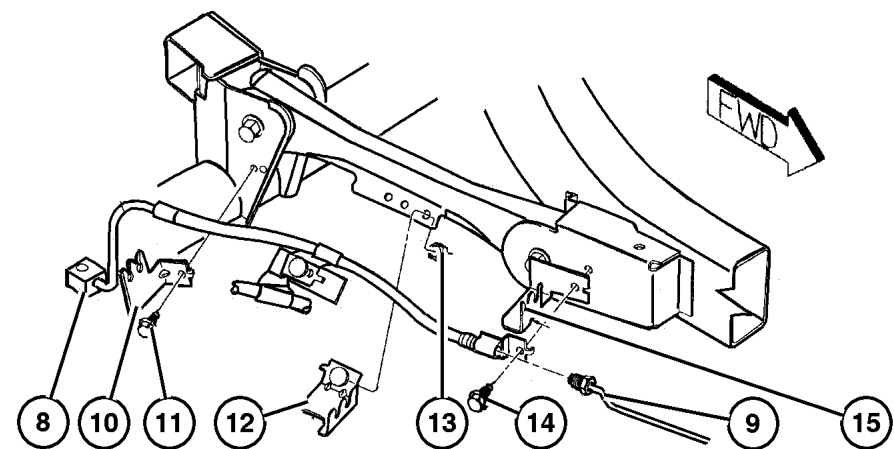
AR = Use as required - = Non illustrated part # = New this model year

January 26, 2004

Brake Lines and Hoses Rear,LHD,with ABS Figure 005-550



ITEM	PART NUMBER	QTY	LINE	SERIES	BODY	ENGINE	TRANS	TRIM	DESCRIPTION
1	5602 7728	1	J						SENSOR, Anti-Lock Brakes, Right
2	5200 8402	1							TUBE, Brake, Right
3	3420 1912	2							SCREW, Self Tapping, M6x1x14, Brake Line Shield, Mounting
4	5212 8189	1							SHIELD, Brake Line
5	4137 696	1							SCREW, Brake Tee, .437-20x2.07
6	5200 8403	1							TUBE, Brake, Left
7	5602 7729	1	J						SENSOR, Anti-Lock Brakes, Left
8	5200 8391	1							HOSE, Brake, Rear
9	52128 482AC	1	J						TUBE, Brake, HCU to Rear Brake Hose
10	5602 6757	1							BRACKET, Anti-Lock Brake Sensor
11	3420 1912	1							SCREW, Self Tapping, M6x1x14, ABS Sensor Bracket, Mounting
12	5200 8920	1							BRACKET, ABS Sensor, Left
13	6101 695	1							NUT, Hex Flange Lock, M8x1.25, Sensor Bracket to Control Arm, Mounting
14	6502 711	1							BOLT, ABS Sensor, Brake Hose to Left Rear Control Arm, Mounting
15	5200 8919	1							BRACKET, ABS Sensor, Frame Rail Sensor Wire, Mounting

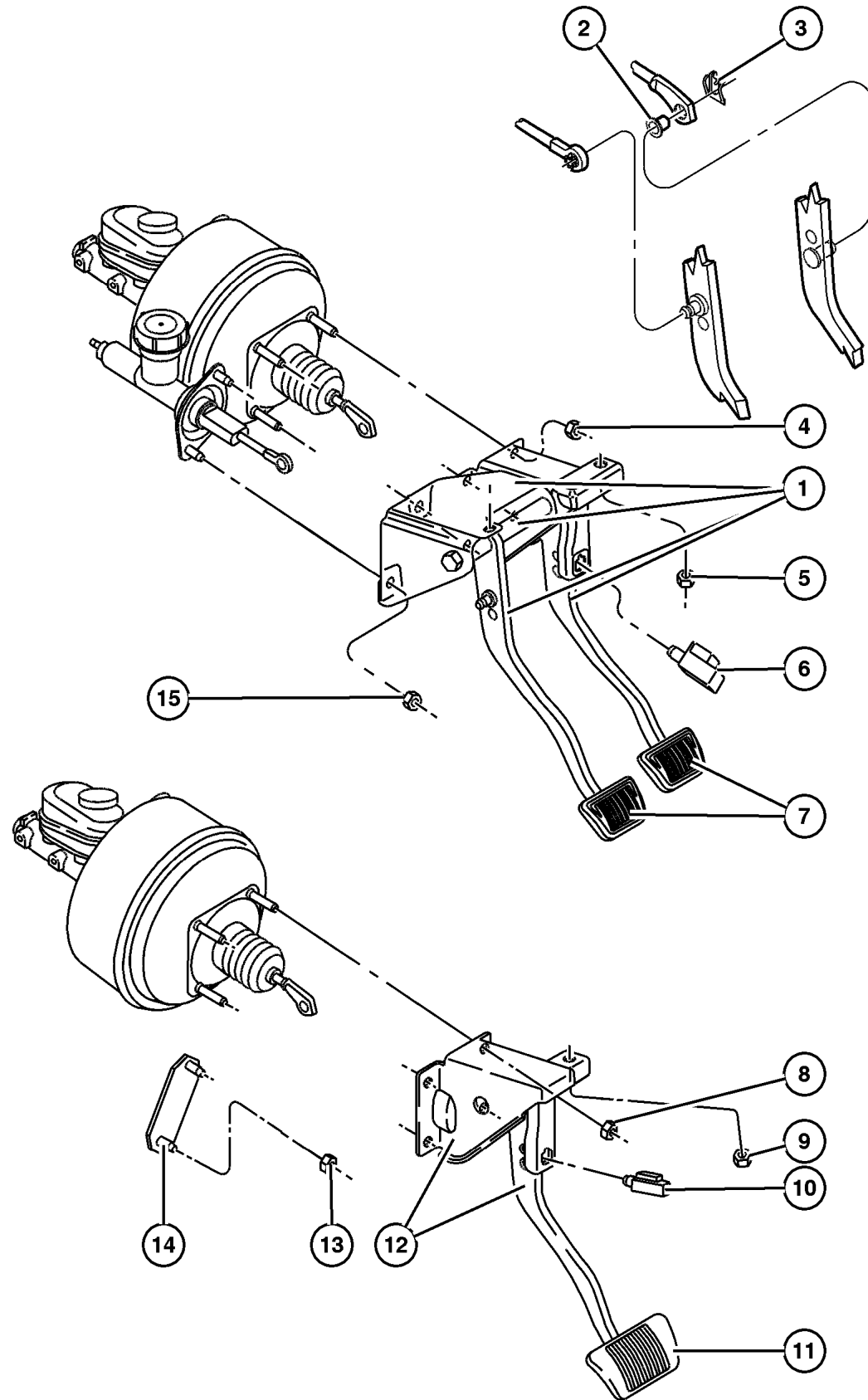


JEEP WRANGLER (TJ)				
SERIES	LINE	BODY	ENGINE	TRANSMISSION
H = Sport	J = Wrangler 4WD	77 = 93.4 WB	EPE, EP0 = 2.5L Power Tech	DGG, DGD = 32RH 3 Spd. Auto.
L = SE	U = Wrangler 4WD (RHD)		ERH, ER0 = 4.0L Power Tech	DDQ = 5 Spd. Manual
M = X				DDD = 5 Speed HD Manual
P = Sahara				DG0 = Auto. Trans.
				DBB = Manual Trans.

AR = Use as required - = Non illustrated part # = New this model year

January 26, 2004

Brake Pedal,LHD
Figure 005-610



ITEM	PART NUMBER	QTY	LINE	SERIES	BODY	ENGINE	TRANS	TRIM	DESCRIPTION
Note:Sales Codes;									
[DBB]= All Manual Transmissions									
[DG0]=All Automatic Transmissions									
1	52128 017AB	1	J						PEDAL, Brake And Clutch, [DBB]
2	4446 361	1							BUSHING, Hydraulic Clutch Actuator
3	6035 334	1							CLIP, Brake Push Rod
4	J400 3909	4							NUT, Hex Flange With Serration, Booster to Dash, Mounting
5	J400 3909	2							NUT, Hex Flange With Serration, Brake Pedal Support Bracket, Mounting
6	4671 336	1							SWITCH, Stop Lamp
7	5200 2750	2	J						PAD, Pedal, [DBB]
8	J400 3909	4							NUT, Hex Flange With Serration, Booster to Dash, Mounting
9	J400 3909	1							NUT, Hex Flange With Serration, Brake Pedal Support Bracket, Mounting
10	4671 336	1							SWITCH, Stop Lamp
11	4779 027	1	J						PAD, Pedal, [DG0]
12	52129 008AE	1	J						PEDAL, Brake, [DG0]
13	J400 3909	2							NUT, Hex Flange With Serration, Clutch Master Cylinder Cover, Mounting
14	5210 4013	1							COVER, Master Cylinder, [DG0]
15	J400 3909	2							NUT, Hex Flange With Serration, Clutch Master Cylinder, Mounting

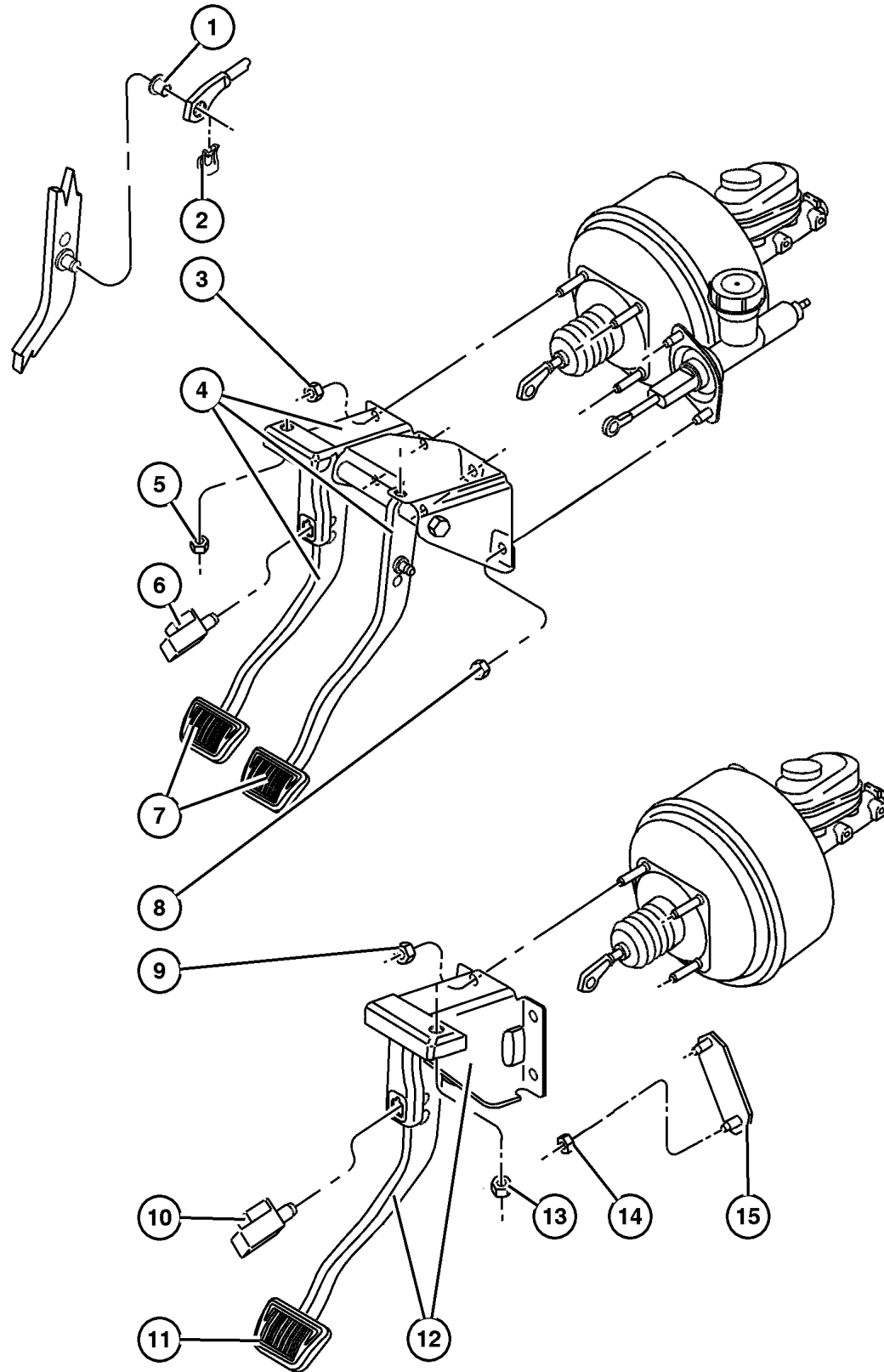
JEEP WRANGLER (TJ)

SERIES	LINE	BODY	ENGINE	TRANSMISSION
H = Sport	J = Wrangler 4WD	77 = 93.4 WB	EPE, EP0 = 2.5L Power Tech	DGG, DGD = 32RH 3 Spd. Auto.
L = SE	U = Wrangler 4WD (RHD)		ERH, ER0 = 4.0L Power Tech	DDQ = 5 Spd. Manual
M = X				DDD = 5 Speed HD Manual
P = Sahara				DG0 = Auto. Trans.
				DBB = Manual Trans.

AR = Use as required - = Non illustrated part # = New this model year

January 26, 2004

Brake Pedal,RHD
Figure 005-620



ITEM	PART NUMBER	QTY	LINE	SERIES	BODY	ENGINE	TRANS	TRIM	DESCRIPTION
1	4446 361	1							BUSHING, Hydraulic Clutch Actuator
2	6035 334	1							CLIP, Brake Push Rod
3	J400 3909	4							NUT, Hex Flange With Serration, Booster to Dash, Mounting
4	52128 052AB	1	U						PEDAL, Brake And Clutch, [DBB]
5	J400 3909	2							NUT, Hex Flange With Serration, Brake Pedal Support Bracket, Mounting
6	4671 336	1							SWITCH, Stop Lamp
7	5200 2750	2	U						PAD, Pedal, [DBB]
8	J400 3909	2							NUT, Hex Flange With Serration, Clutch Master Cylinder, Mounting
9	J400 3909	4							NUT, Hex Flange With Serration, Booster to Dash, Mounting
10	4671 336	1							SWITCH, Stop Lamp
11	4779 027	1	U						PAD, Pedal
12	52129 038AD	1	U						PEDAL, Brake, [DG0]
13	J400 3909	1							NUT, Hex Flange With Serration, Brake Pedal Support Bracket, Mounting
14	J400 3909	2							NUT, Hex Flange With Serration, Clutch Master Cylinder Cover, Mounting
15	5210 4013	1							COVER, Master Cylinder, [DG0]

JEEP WRANGLER (TJ)

SERIES	LINE	BODY	ENGINE	TRANSMISSION
H = Sport	J = Wrangler 4WD	77 = 93.4 WB	EPE, EP0 = 2.5L Power Tech	DGG, DGD = 32RH 3 Spd. Auto.
L = SE	U = Wrangler 4WD (RHD)		ERH, ER0 = 4.0L Power Tech	DDQ = 5 Spd. Manual
M = X				DDD = 5 Speed HD Manual
P = Sahara				DG0 = Auto. Trans.
				DBB = Manual Trans.

AR = Use as required - = Non illustrated part # = New this model year

January 26, 2004

Group – 006

Clutch

GROUP 6 - Clutch

Illustration Title

Group-Fig. No.

Clutch

Clutch Fig. 006-110

Clutch Housing

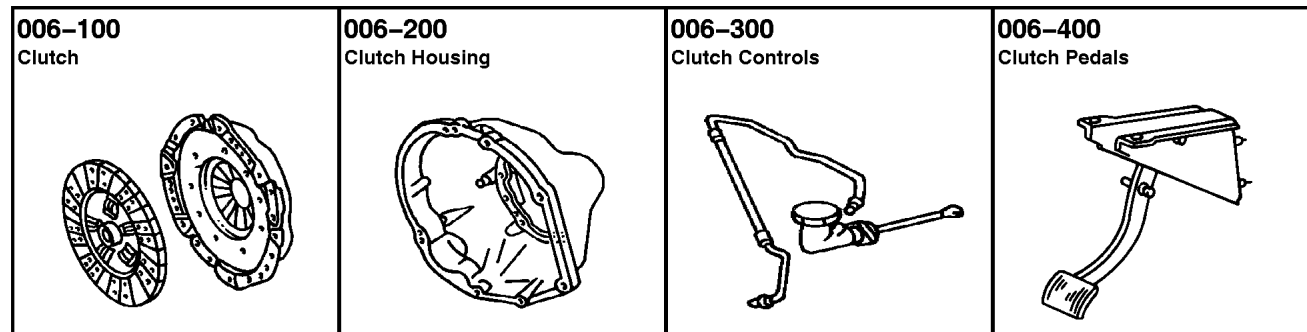
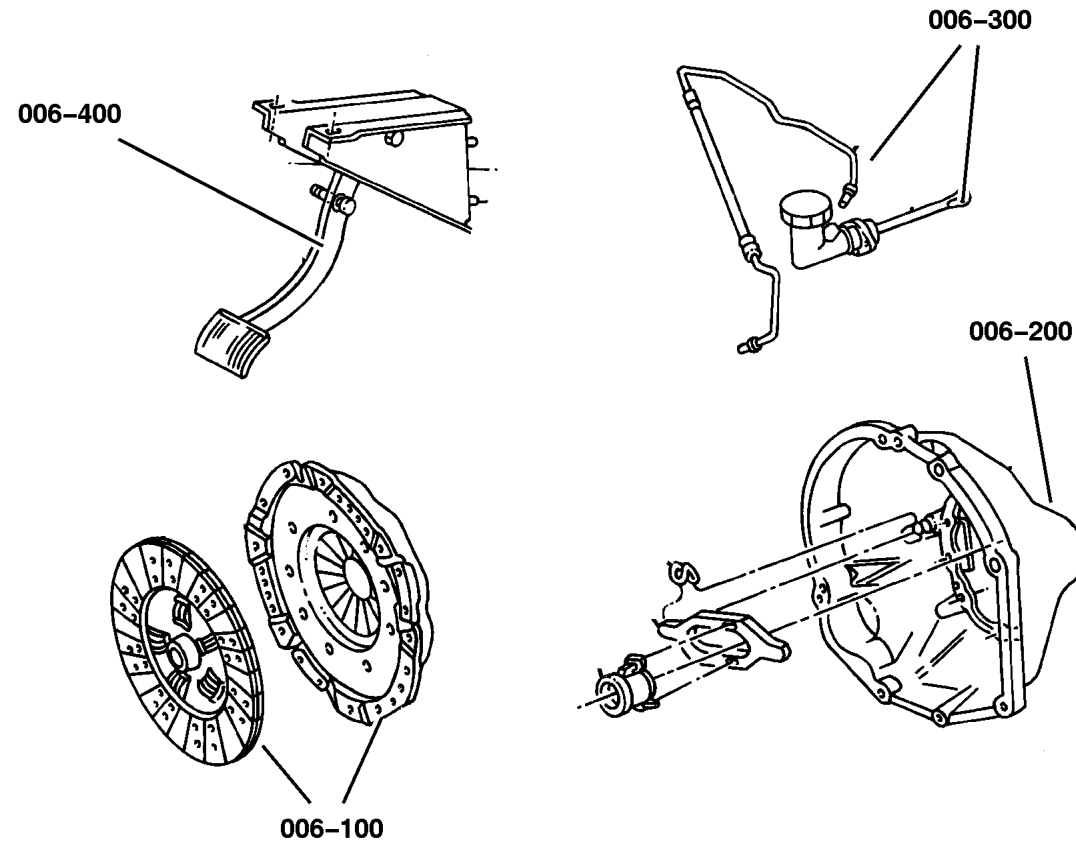
Housing & Pan, Clutch Fig. 006-210

Clutch Controls

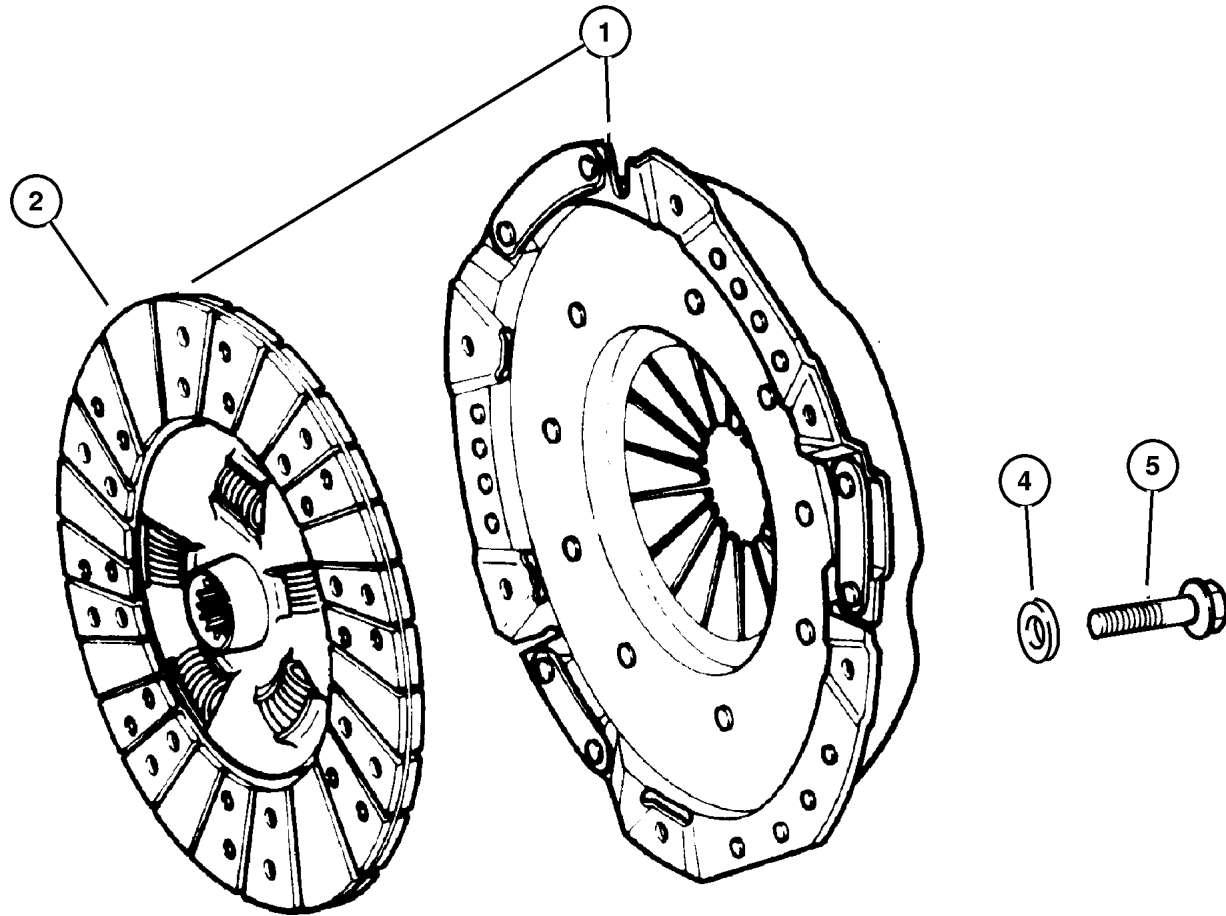
Control, Clutch Fig. 006-310

Clutch Pedals

Pedal, Clutch Fig. 006-410



Clutch Figure 006-110



ITEM	PART NUMBER	QTY	LINE	SERIES	BODY	ENGINE	TRANS	TRIM	DESCRIPTION
NOTE:									
Sales Codes									
[DBB]=All Manual Transmissions									
[DDD]=5 Speed Heavy Duty Manual Transmission									
[DDQ]=5 Speed Manual Transmission									
[EP0]=All 2.5L 4 Cylinder Engine									
[ER0]=All 4.0L 6 Cylinder Engine									
1	5210 7570	1				EP0	DDQ		CLUTCH KIT, Manual Transmission
2	52104 363AA	1				ER0	DDD		DISC, Clutch
-3	5015 606AA	1				ER0	DDD		CLUTCH PACKAGE
4	1150 0221	6				EP0	DBB		WASHER, Flat
5	3420 1373	6				EP0	DBB		BOLT, Hex Head, M8x1.25x22
-6	6035 626	6				ER0	DBB		BOLT, Hex Head, .375-16x.84

JEEP WRANGLER (TJ)

SERIES	LINE	BODY	ENGINE	TRANSMISSION
H = Sport	J = Wrangler 4WD	77 = 93.4 WB	EPE, EP0 = 2.5L Power Tech	DGG, DGD = 32RH 3 Spd. Auto.
L = SE	U = Wrangler 4WD (RHD)		ERH, ER0 = 4.0L Power Tech	DDQ = 5 Spd. Manual
M = X				DDD = 5 Speed HD Manual
P = Sahara				DG0 = Auto. Trans.
				DBB = Manual Trans.

AR = Use as required - = Non illustrated part # = New this model year

January 26, 2004

Housing & Pan, Clutch Figure 006-210

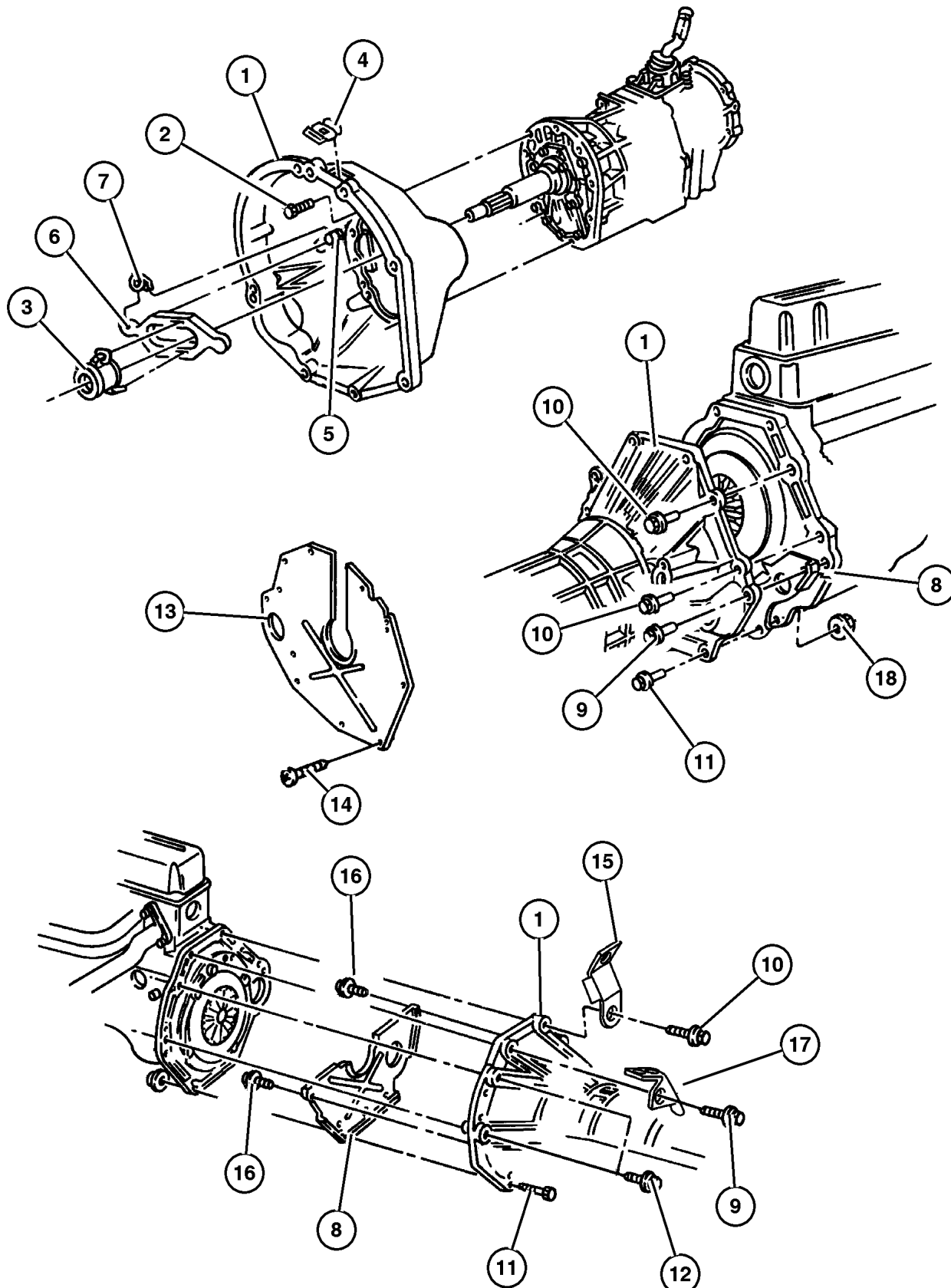
ITEM	PART NUMBER	QTY	LINE	SERIES	BODY	ENGINE	TRANS	TRIM	DESCRIPTION
NOTE:									
Sales Codes:									
[DBB]=All Manual Transmissions									
[EP0]=All 2.5L 4 Cylinder Engine									
[ER0]=All 4.0L 6 Cylinder Engine									
1									HOUSING, Clutch
	5210 4000	1				EP0	DBB		
	5210 7552	1				ER0	DBB		
2	3420 2606	2				EP0,			BOLT, Hex Head
						ER0			
3	5300 8342	1					DBB		BEARING, Clutch Release
4	5300 6010	1				EP0,	DBB		GROMMET, Timing Probe
						ER0			
5									PIVOT, Clutch Release
	5208 7542	1				ER0	DBB		
		1				EP0	DBB		
6	5210 7555	1					DBB		FORK, Clutch Release
7	4338 855	1					DBB		SPRING, Clutch Release
8	5300 3382	1				EP0	DBB		COVER, Transmission Case
9	1150 4922	2				EP0	DBB		BOLT, Hex Head, M12x1.75x50
10	6100 345	2				EP0	DBB		SCREW AND WASHER, Hex Flange
									Head, M12x1.75x45
11	1150 5098	2				EP0	DBB		BOLT, Hex Flange Head, M12x1.75x60
12	3420 1837	2				EP0	DBB		BOLT, Hex Flange Head, M12x1.75x90
13	5300 4473	1				ER0	DBB		SPACER, Clutch Housing
14	6100 202	2				ER0	DBB		SCREW, Hex Head, M12x1.75x50
15	5209 8522	1				EP0			BRACKET, Tube
16									BOLT, Hex Flange Head, M8x2.12x16
	1150 0986	3				ER0	DBB		
		2				EP0	DBB		
17	5601 9959	1				EP0			CLIP, Wiring
18	6502 697	2				EP0,	DBB		NUT, Hex Flange Lock, M12x1.75
						ER0			

JEEP WRANGLER (TJ)

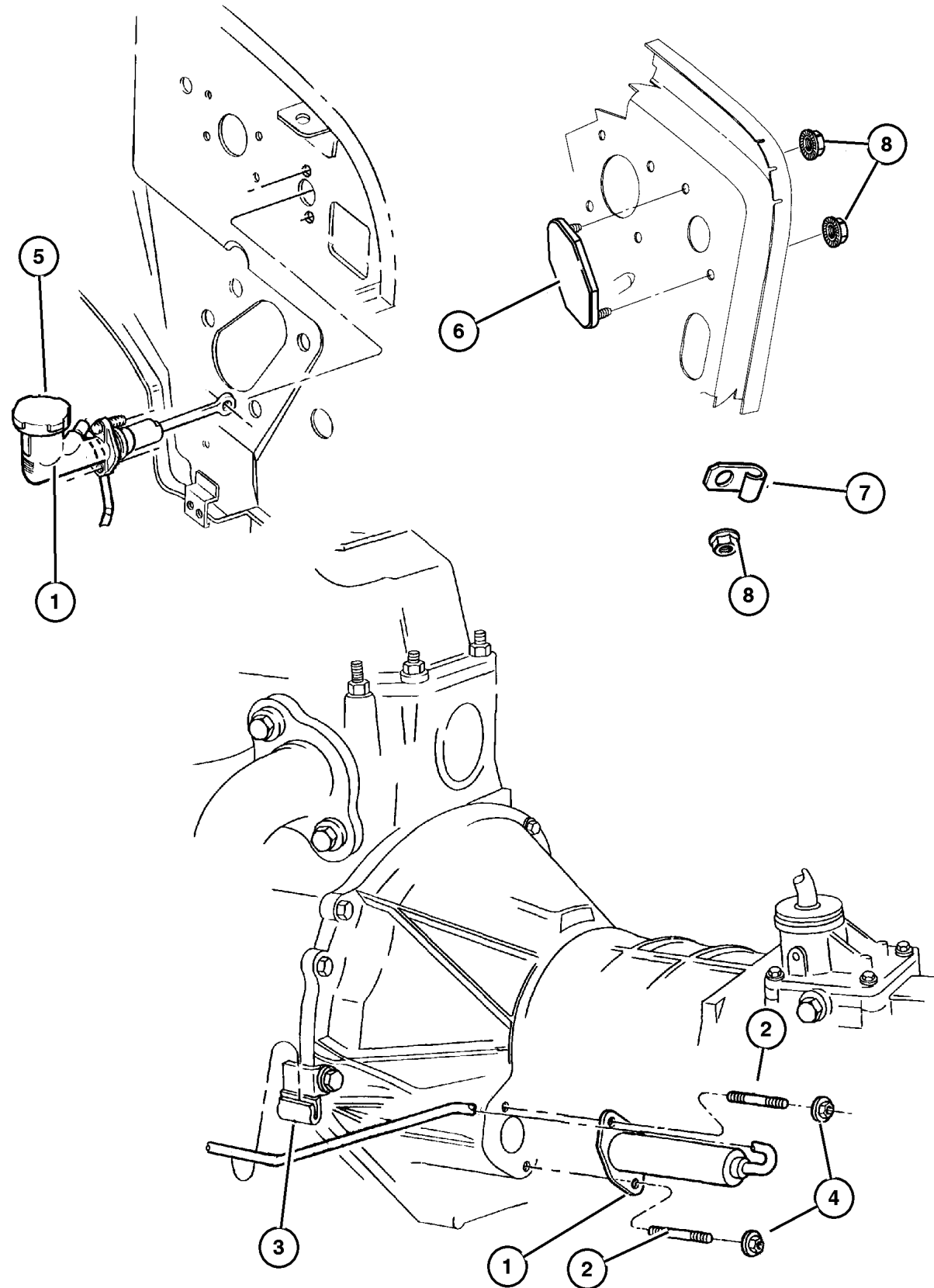
SERIES	LINE	BODY	ENGINE	TRANSMISSION
H = Sport	J = Wrangler 4WD	77 = 93.4 WB	EPE, EP0 = 2.5L Power Tech	DGG, DGD = 32RH 3 Spd. Auto.
L = SE	U = Wrangler 4WD (RHD)		ERH, ER0 = 4.0L Power Tech	DDQ = 5 Spd. Manual
M = X				DDD = 5 Speed HD Manual
P = Sahara				DG0 = Auto. Trans.
				DBB = Manual Trans.

AR = Use as required - = Non illustrated part # = New this model year

January 26, 2004



Control, Clutch
Figure 006-310

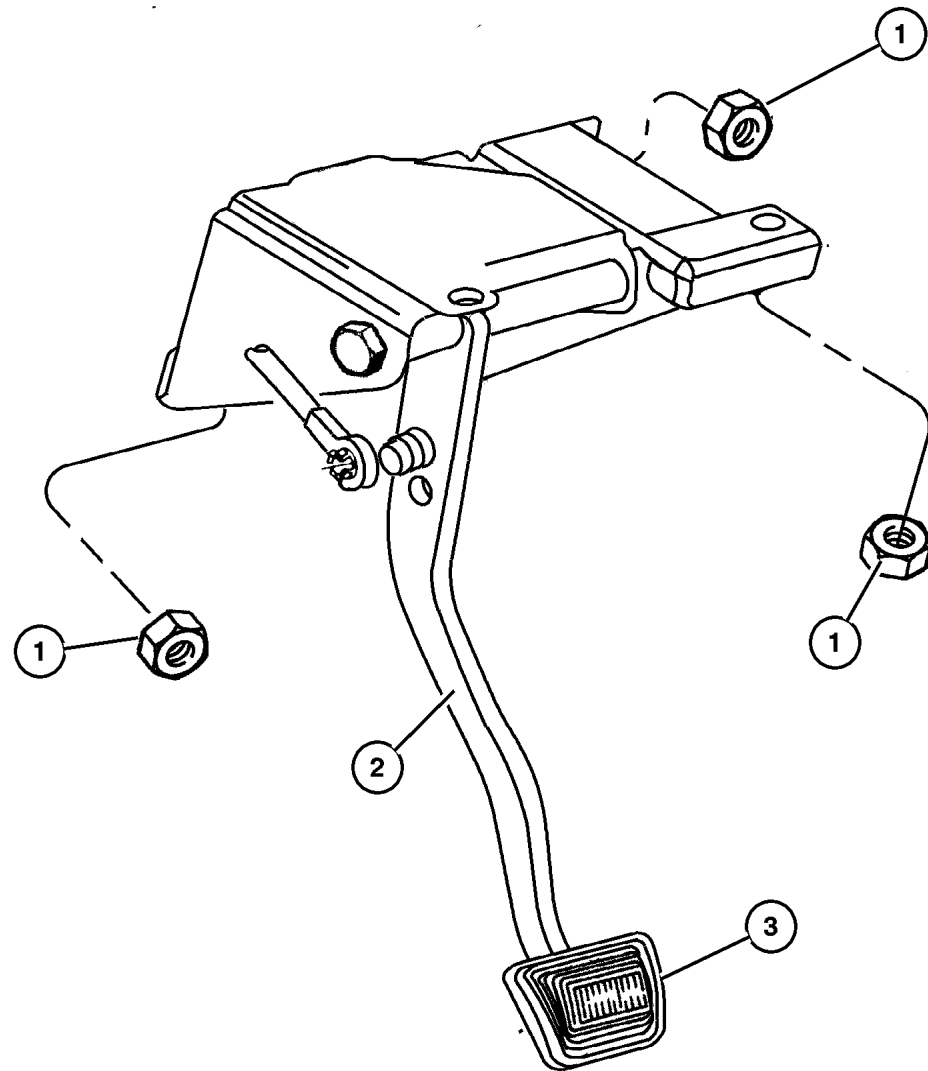


ITEM	PART NUMBER	QTY	LINE	SERIES	BODY	ENGINE	TRANS	TRIM	DESCRIPTION
NOTE; Sales Codes									
[DBB] = All Manual Transmissions									
[DG0] = All Automatic Transmissions									
1									HYDRAULIC CONTROL, Clutch Actuator
	52107 652AC	1	J				DBB		
	52107 653AC	1	U				DBB		
2	6032 878	2					DBB		STUD, .312-18x2.00
3	52107 595AB	1					DBB		BRACKET, Clutch Tube
4	0152 472	2					DBB		NUT, Hex Flange Lock, .312-18
5									CAP, Clutch Reservoir
	4883 544AA	1	J				DBB		
		1	U				DBB		
6	5210 4013	1					DG0		COVER, Master Cylinder
7	0120 522	3	U				DBB		CLIP, Wrap Around
8	J400 3909	2					DBB		NUT, Hex Flange With Serration

JEEP WRANGLER (TJ)				
SERIES	LINE	BODY	ENGINE	TRANSMISSION
H = Sport	J = Wrangler 4WD	77 = 93.4 WB	EPE, EP0 = 2.5L Power Tech	DGG, DGD = 32RH 3 Spd. Auto.
L = SE	U = Wrangler 4WD (RHD)		ERH, ER0 = 4.0L Power Tech	DDQ = 5 Spd. Manual
M = X				DDD = 5 Speed HD Manual
P = Sahara				DG0 = Auto. Trans.
				DBB = Manual Trans.

Pedal, Clutch
Figure 006-410

ITEM	PART NUMBER	QTY	LINE	SERIES	BODY	ENGINE	TRANS	TRIM	DESCRIPTION
NOTE:									
Sales Codes:									
[DBB] = All Manual Transmissions									
1	J400 3909	4							NUT, Hex Flange With Serration
2									PEDAL, Brake, See Group 5 , (NOT REQUIRED)
3	5200 2750	2	J				DBB		PAD, Pedal
		2	U				DBB		



JEEP WRANGLER (TJ)				
SERIES	LINE	BODY	ENGINE	TRANSMISSION
H = Sport	J = Wrangler 4WD	77 = 93.4 WB	EPE, EP0 = 2.5L Power Tech	DGG, DGD = 32RH 3 Spd. Auto.
L = SE	U = Wrangler 4WD (RHD)		ERH, ER0 = 4.0L Power Tech	DDQ = 5 Spd. Manual
M = X				DDD = 5 Speed HD Manual
P = Sahara				DG0 = Auto. Trans.
				DBB = Manual Trans.

AR = Use as required - = Non illustrated part # = New this model year

January 26, 2004

Group – 007

Cooling

GROUP 7 - Cooling

Illustration Title

Group-Fig. No.

Radiator and Related Parts

Radiator And Related Parts Fig. 007-110

Water Pump and Related Parts

Water Pump Fig. 007-205

Tank, Coolant Engine

Tank, Coolant Recovery Fig. 007-302

Pulleys and Related Parts

Drive Pulleys Fig. 007-405

Drive Belts

Drive Belts, 2.5L Engine, LHD Fig. 007-505

Drive Belts, 2.5L Engine, RHD Fig. 007-510

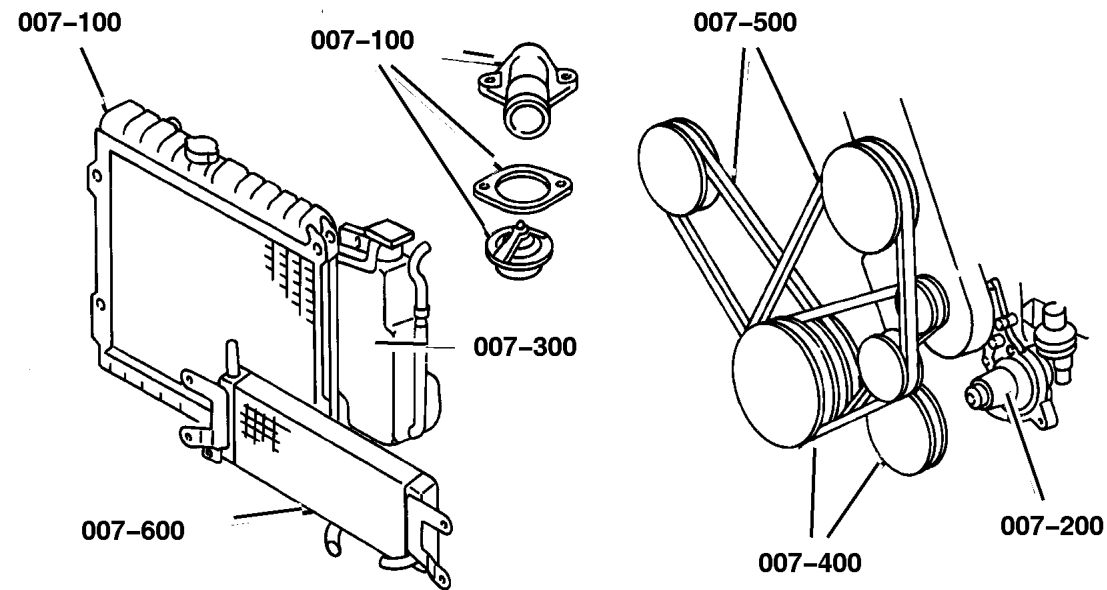
Drive Belts, 4.0L Engine Fig. 007-515

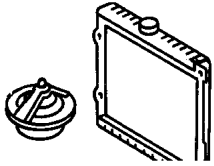

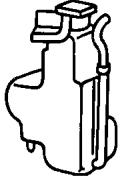
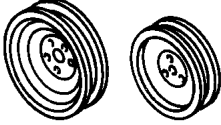
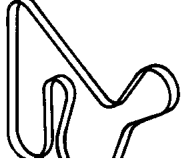
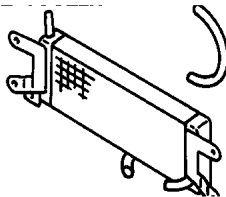
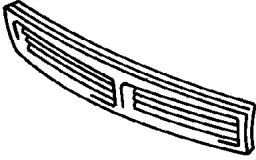
Lines, Transmission Oil Cooler

Oil Cooler Lines Fig. 007-605

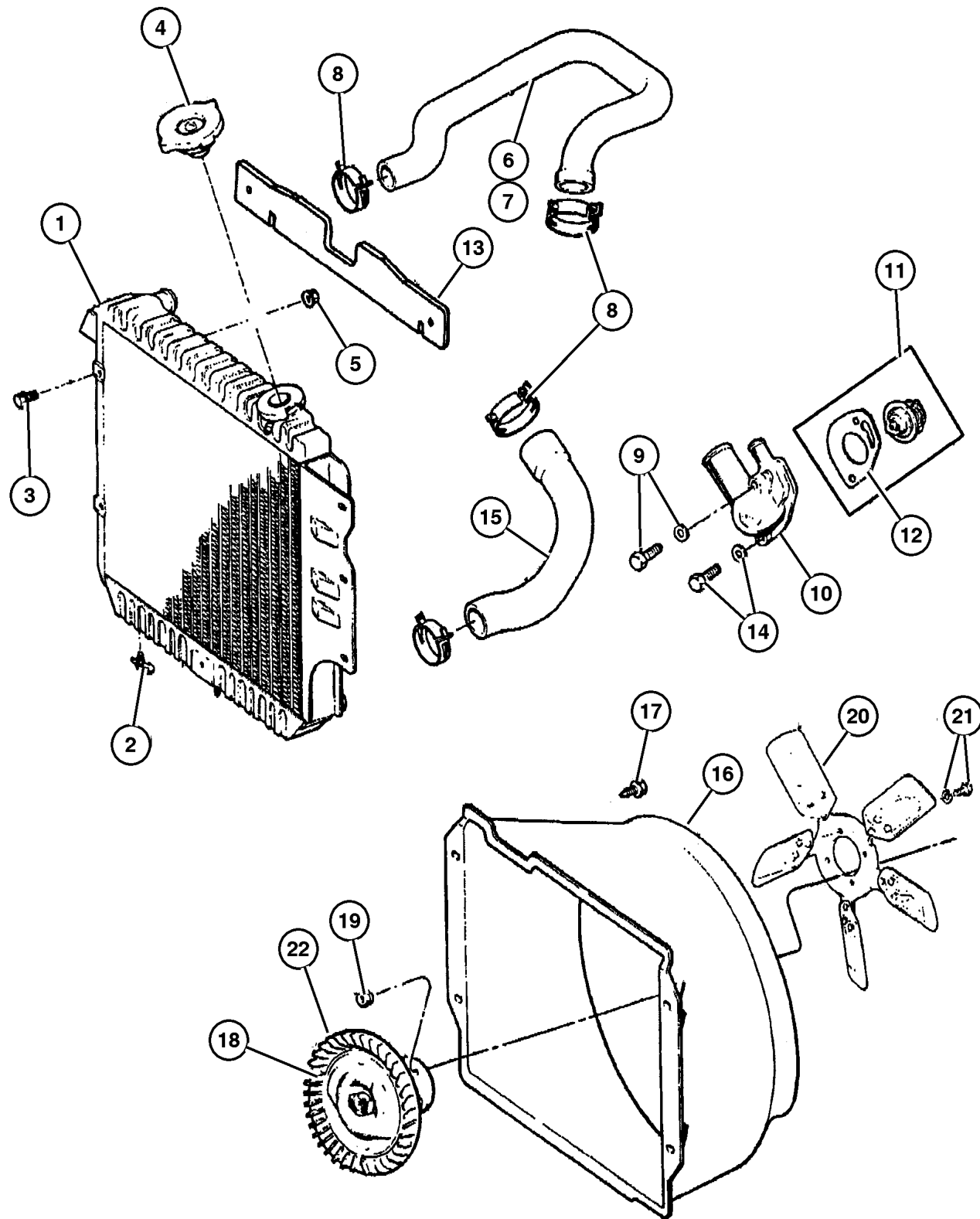
Grilles

Grille And Related Parts Fig. 007-705



<p>007-100 Radiator and Related Parts</p> 	<p>007-200 Water Pump and Related Parts</p> 	<p>007-300 Tank, Coolant Engine</p> 	<p>007-400 Pulleys and Related Parts</p> 
<p>007-500 Drive Belts</p> 	<p>007-600 Lines, Transmission Oil Cooler</p> 	<p>007-700 Grilles</p> 	

**Radiator And Related Parts
Figure 007-110**



ITEM	PART NUMBER	QTY	LINE	SERIES	BODY	ENGINE	TRANS	TRIM	DESCRIPTION
Note: Sales Code DBB = Manual Trans									
Note: Sales Code DGO = All Auto Trans									
Note: Sales Code EPO = 2.5L Gas Engine									
Note: Sales Code ERO = 4.0L Gas Engine									
1									RADIATOR, Engine Cooling
	52080 183AG	1	J			ER0		DBB	
	#55037 653AA	1				ER0		DGO	
	#55037 657AA	1	J			EPO		DBB	
	#55037 658AA	1	J			EPO		DGO	
	#55037 654AA	1	U			ER0			Without [ABD]
2									DRAINCOCK, Radiator
	4773 259	1	J			EPO		DBB	
		1	J			EPO		DGO	
		1	J			ER0			
		1	U			EPO			
		1	U			ER0			
3									SCREW, (NOT SERVICED) (Not Serviced)
4	52079 799AA	1							CAP, Radiator
5									U-NUT, Multi-Thread Spring, 1/4-20, (NOT SERVICED) (Not Serviced)
6									HOSE, Radiator Inlet
	5202 8264	1	J			ER0			
	52028 144AB	1	U			ER0			
7	5202 8266	1				EPO			HOSE, Thermostat Outlet
8	5200 5580	1							CLAMP, Hose to Radiator
9	6034 356	1				EPO,			SCREW AND WASHER, Hex Head, .312-18x2.38
						ER0			
10	5300 6192	1				EPO,			HOUSING, Thermostat
						ER0			
11	5202 8186	1				EPO,			THERMOSTAT, 195 Degrees
						ER0			
12	53020 547AB	1				EPO,			GASKET, Thermostat
						ER0			
13	5503 6369	1							SEAL, Condenser
14	6034 927	1				EPO,			SCREW AND WASHER, Hex Head, .312-18x.970
						ER0			
15									HOSE, Radiator To Pump
	5202 8141	1				EPO			
	52028 143AB	1	U			ER0			
	52028 265AB	1	J			ER0			
16									SHROUD, Fan

JEEP WRANGLER (TJ)

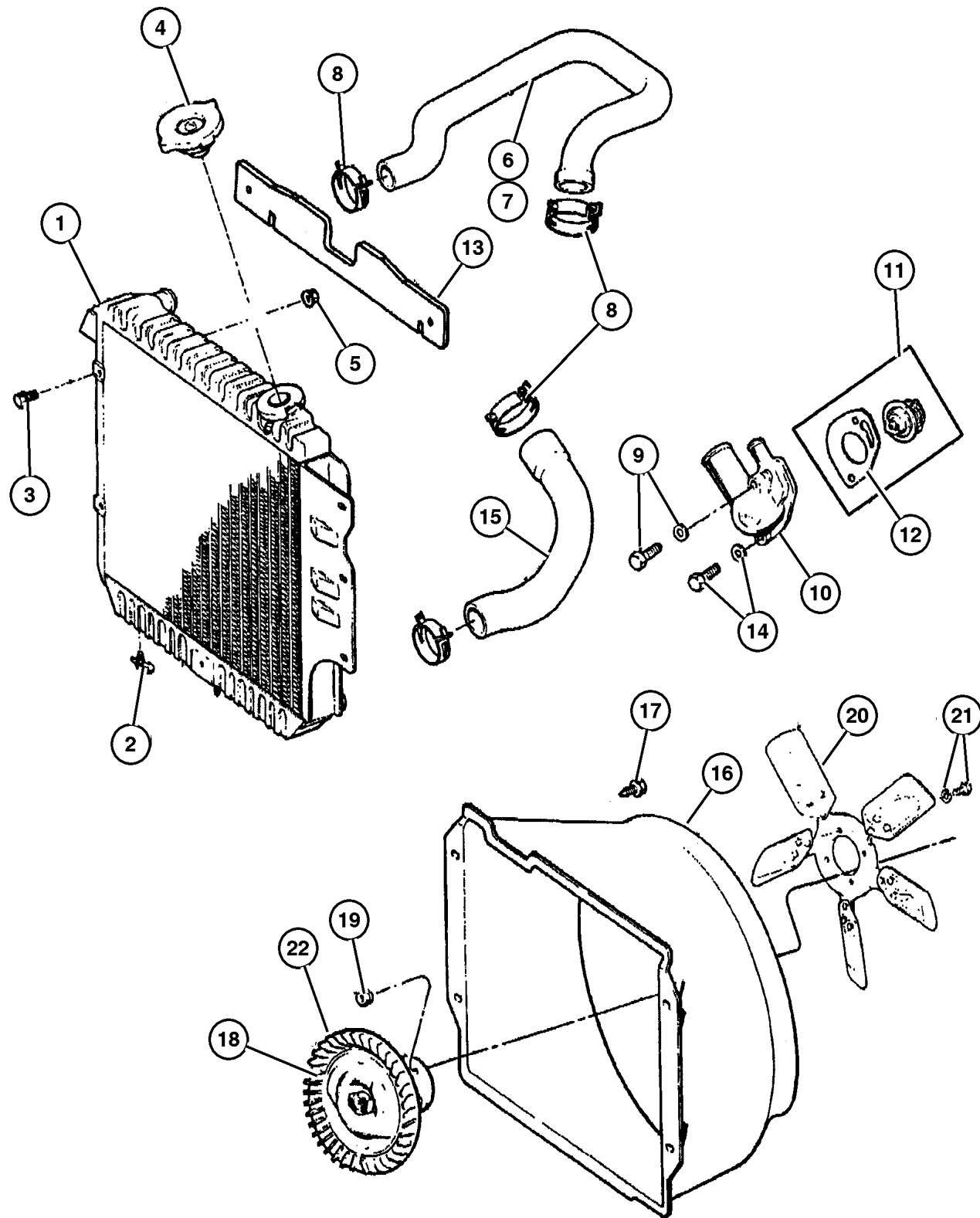
SERIES	LINE	BODY	ENGINE	TRANSMISSION
H = Sport	J = Wrangler 4WD	77 = 93.4 WB	EPE, EPO = 2.5L Power Tech	DGG, DGD = 32RH 3 Spd. Auto.
L = SE	U = Wrangler 4WD (RHD)		ERH, ERO = 4.0L Power Tech	DDQ = 5 Spd. Manual
M = X				DDD = 5 Speed HD Manual
P = Sahara				DGO = Auto. Trans.
				DBB = Manual Trans.

AR = Use as required - = Non illustrated part # = New this model year

January 26, 2004

**Radiator And Related Parts
Figure 007-110**

ITEM	PART NUMBER	QTY	LINE	SERIES	BODY	ENGINE	TRANS	TRIM	DESCRIPTION
	52027 926AB	1	J			EP0			
	52027 925AC	1	J			ER0			
	5202 8128	1	U			EP0			
	52028 127AC	1	U			ER0			
17									SCREW AND WASHER, Hex Head, .25-20x.875, (NOT SERVICED) (Not Serviced)
18	5200 4266	1				EP0			FAN, Cooling
19	0154 591	4				EP0			NUT AND WASHER, Hex, .312-18
20									FAN, Cooling
	5200 4266	1				EP0			
	5202 7893	1				ER0			
21	6034 860	4				EP0, ER0			BOLT AND WASHER, Implement Attaching
22									DRIVE, Fan
	52027 890AB	1				EP0			
	52027 883AB	1				ER0			



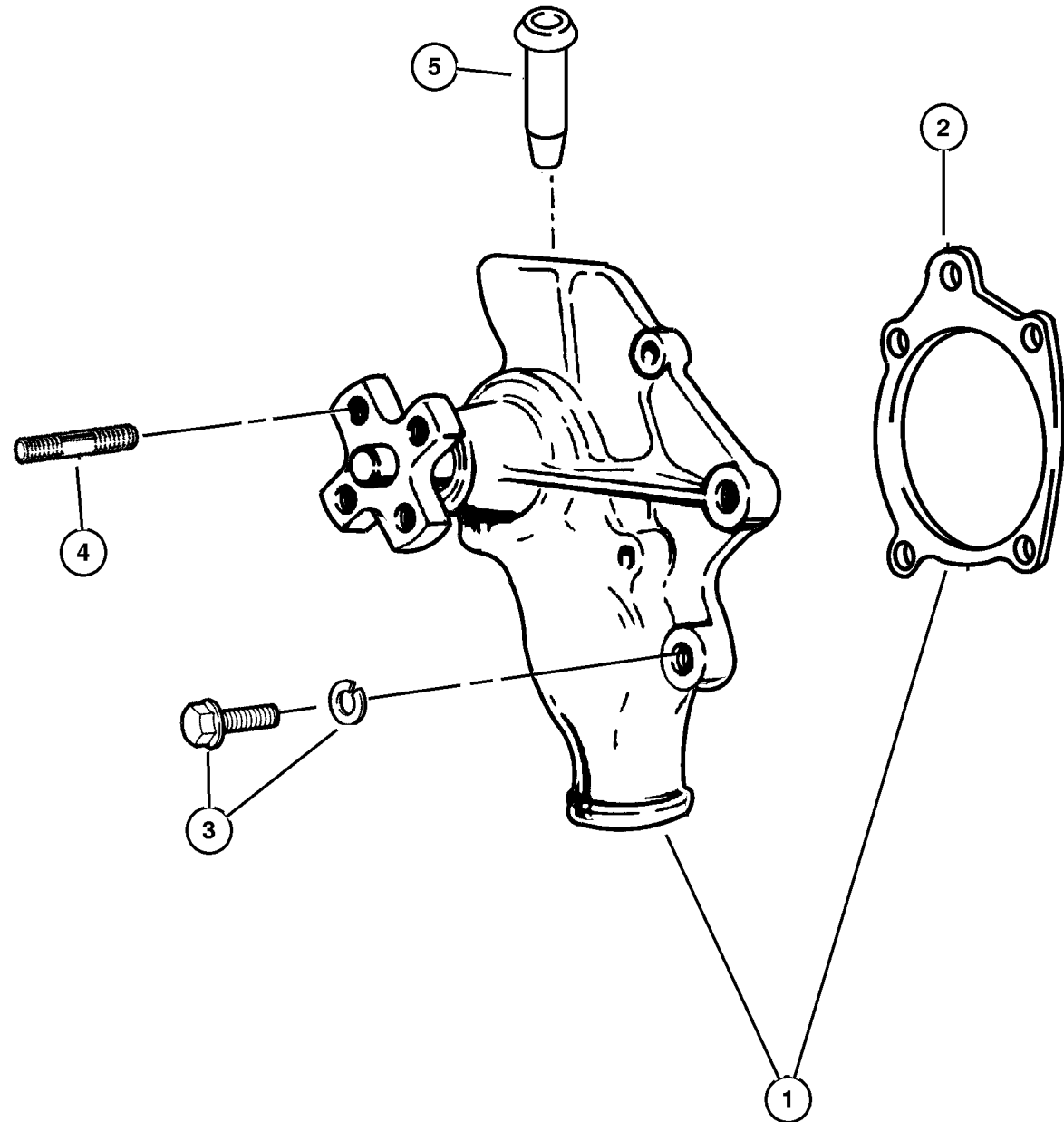
JEEP WRANGLER (TJ)

SERIES	LINE	BODY	ENGINE	TRANSMISSION
H = Sport	J = Wrangler 4WD	77 = 93.4 WB	EPE, EP0 = 2.5L Power Tech	DGG, DGD = 32RH 3 Spd. Auto.
L = SE	U = Wrangler 4WD (RHD)		ERH, ER0 = 4.0L Power Tech	DDQ = 5 Spd. Manual
M = X				DDD = 5 Speed HD Manual
P = Sahara				DG0 = Auto. Trans.
				DBB = Manual Trans.

AR = Use as required - = Non illustrated part # = New this model year

January 26, 2004

**Water Pump
Figure 007-205**



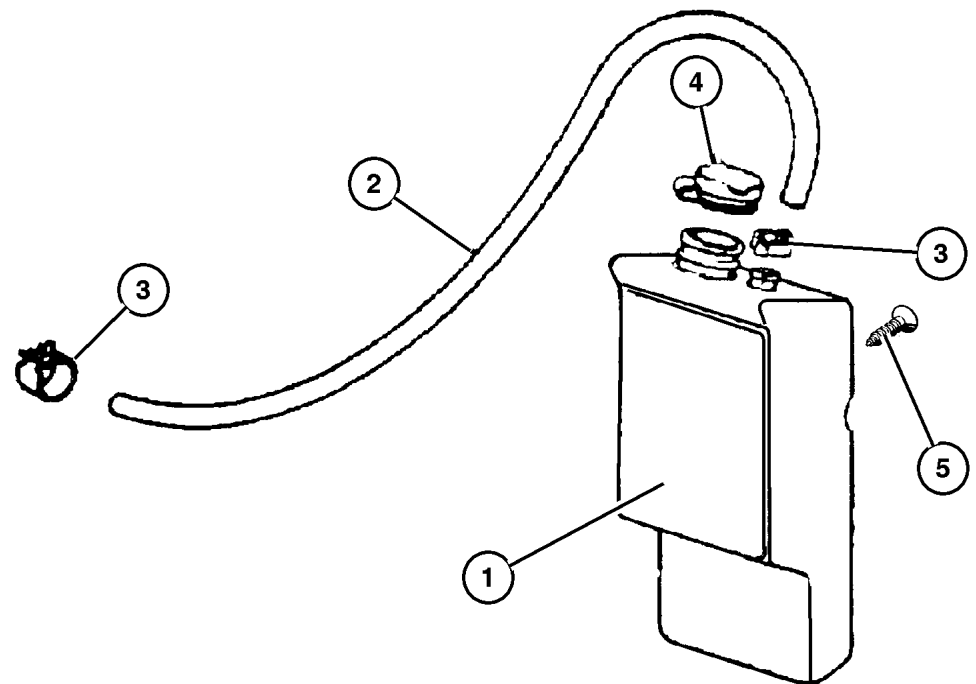
ITEM	PART NUMBER	QTY	LINE	SERIES	BODY	ENGINE	TRANS	TRIM	DESCRIPTION
Note: Sales Code EP0 = 2.5L Gas Engine									
Note: Sales Code ER0 = 4.0L Gas Engine									
1	5012 366AB	1				ER0			PUMP PACKAGE, Water
2	5301 0419	1				EP0, ER0			GASKET, Water Pump
3									SCREW AND WASHER, Hex Head, .312-18x1.12, (NOT SERVICED) (Not Serviced)
4	J400 6714	4				EP0			STUD, .312-18/.312-24x1.250
5	5300 7978	1				EP0, ER0			TUBE, Water Pump Heater Return, Pump Heater Return

JEEP WRANGLER (TJ)				
SERIES	LINE	BODY	ENGINE	TRANSMISSION
H = Sport	J = Wrangler 4WD	77 = 93.4 WB	EPE, EP0 = 2.5L Power Tech	DGG, DGD = 32RH 3 Spd. Auto.
L = SE	U = Wrangler 4WD (RHD)		ERH, ER0 = 4.0L Power Tech	DDQ = 5 Spd. Manual
M = X				DDD = 5 Speed HD Manual
P = Sahara				DG0 = Auto. Trans.
				DBB = Manual Trans.

AR = Use as required - = Non illustrated part # = New this model year

January 26, 2004

**Tank, Coolant Recovery
Figure 007-302**



ITEM	PART NUMBER	QTY	LINE	SERIES	BODY	ENGINE	TRANS	TRIM	DESCRIPTION
------	-------------	-----	------	--------	------	--------	-------	------	-------------

Note: Sales Code EP0 = 2.5L Gas Engine
 Note: Sales Code ER0 = 4.0L Gas Engine

1	52028 065AE	1				EP0, ER0			BOTTLE, Coolant Recovery
2									HOSE, 5/8" I.D. 50 Foot Roll, (DNS), (NOT SERVICED) (Not Serviced)
3									CLAMP, (NOT SERVICED) (Not Serviced)
4	5207 9331	1				EP0, ER0			CAP, Coolant Reserve Tank
5									SCREW, (NOT SERVICED) (Not Serviced)

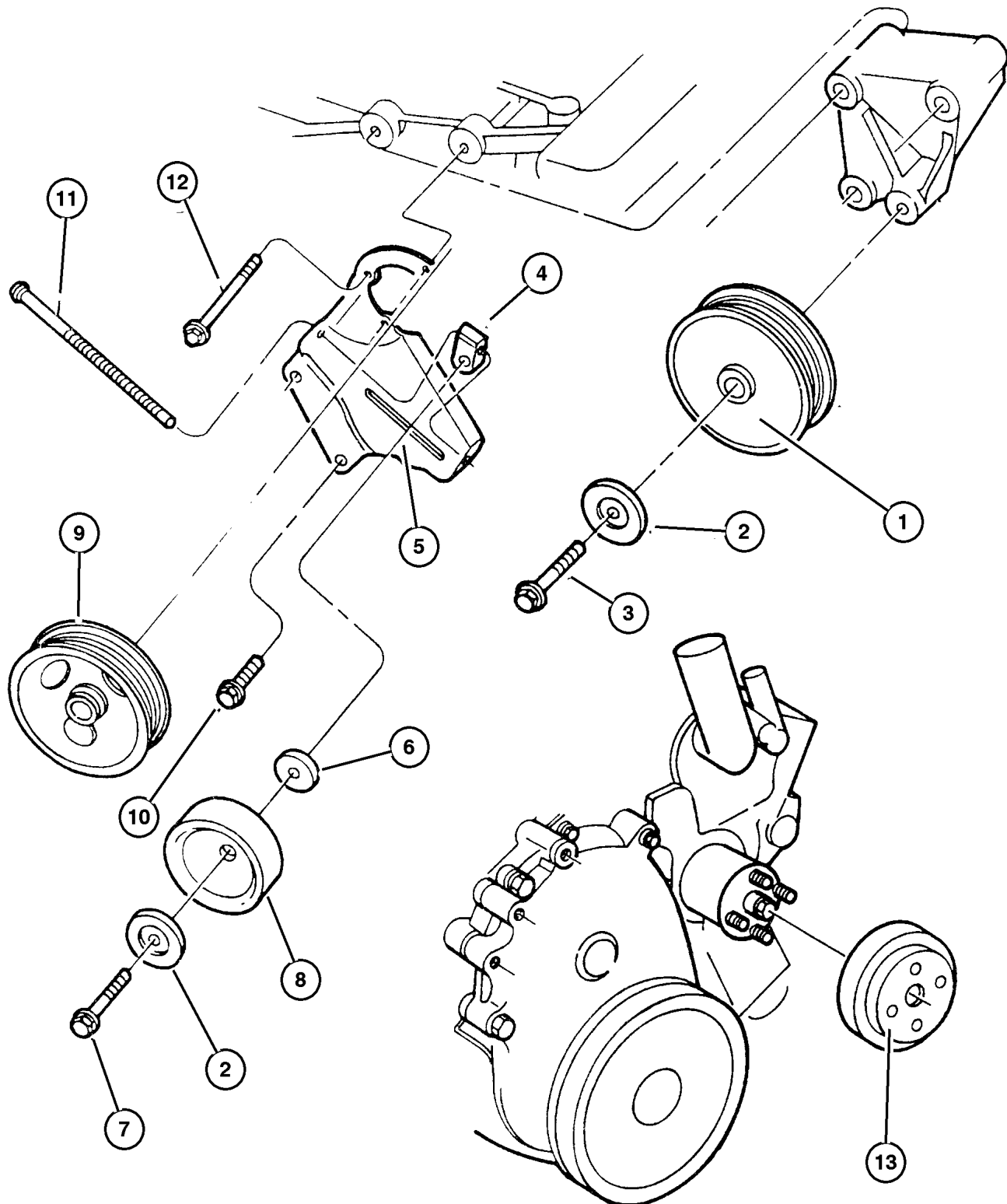
JEEP WRANGLER (TJ)			
SERIES	LINE	BODY	TRANSMISSION
H = Sport	J = Wrangler 4WD	77 = 93.4 WB	DGG, DGD = 32RH 3 Spd. Auto.
L = SE	U = Wrangler 4WD (RHD)		DDQ = 5 Spd. Manual
M = X			DDD = 5 Speed HD Manual
P = Sahara			DG0 = Auto. Trans.
			DBB = Manual Trans.

AR = Use as required - = Non illustrated part # = New this model year

January 26, 2004

Drive Pulleys Figure 007-405

ITEM	PART NUMBER	QTY	LINE	SERIES	BODY	ENGINE	TRANS	TRIM	DESCRIPTION
Note: Sales Code EP0 = 2.5L Gas Engine									
Note: Sales Code ER0 = 4.0L Gas Engine									
1									PULLEY, Idler
	4792 112	1				EP0			
	4854 092	1				ER0			
2	3300 2201	1				EP0			BUSHING, Idler Pulley
3	6504 239	1				EP0			SCREW AND WASHER, M10x1.5x40
4	5301 0149	1				EP0			COLLAR, Tensioner Adjustment
5	5301 0148	1				EP0			BRACKET, Tensioner
6	6503 230	1				EP0			SPACER, Belt Tensioner
7	6504 239	1				EP0			SCREW AND WASHER, M10x1.5x40
8									PULLEY, Idler
	4854 092	1				ER0			
	5301 0230	1				EP0			
9									PULLEY, Power Steering Pump
	53010 258AB	1				ER0			
		1				EP0			
10									SCREW, (NOT SERVICED) (Not Serviced)
11	6503 198	1				EP0			BOLT
12									SCREW, (NOT SERVICED) (Not Serviced)
13									PULLEY, Water Pump
	5300 7154	1				EP0			
	4854 032	1				ER0			
-14	6034 860	4				EP0, ER0			BOLT AND WASHER, Implement Attaching



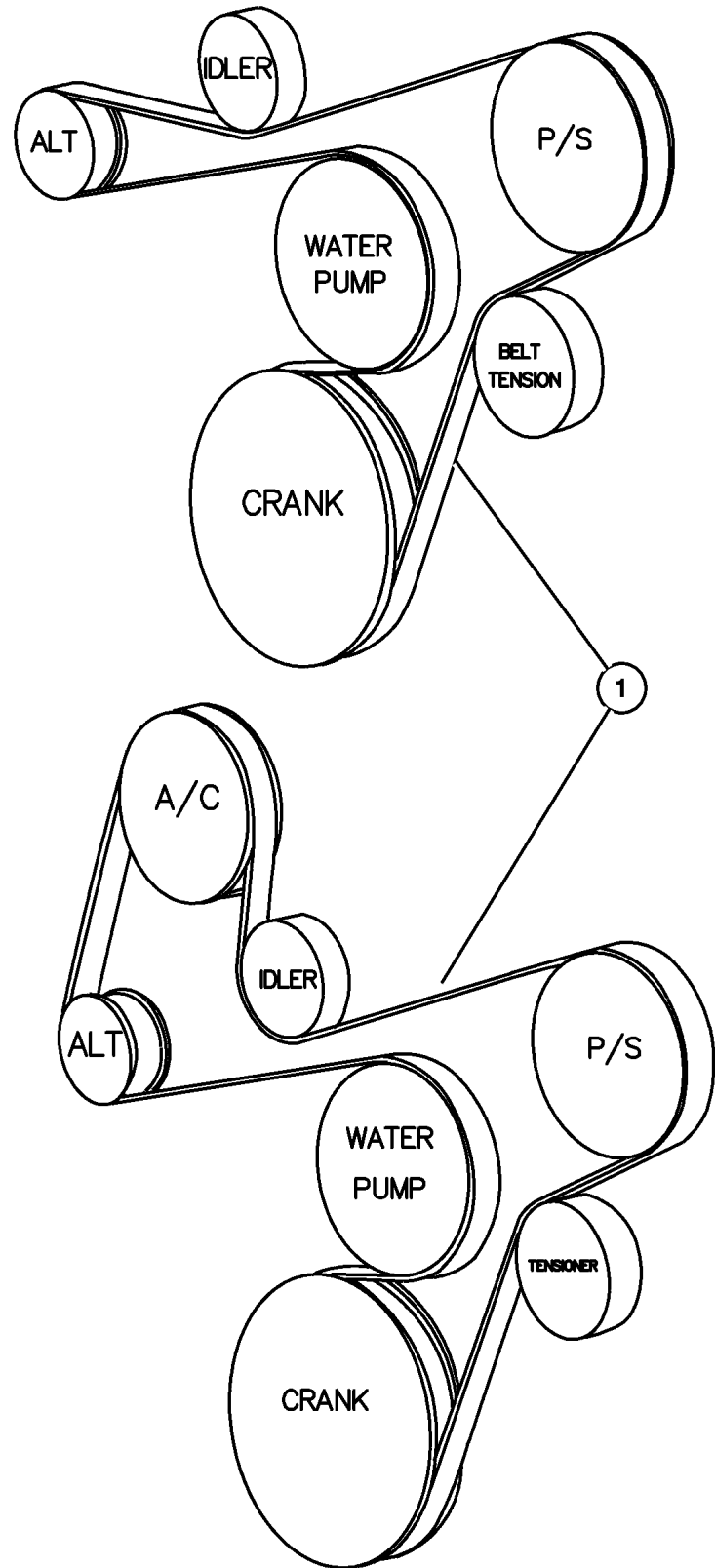
JEEP WRANGLER (TJ)

SERIES	LINE	BODY	ENGINE	TRANSMISSION
H = Sport	J = Wrangler 4WD	77 = 93.4 WB	EPE, EP0 = 2.5L Power Tech	DGG, DGD = 32RH 3 Spd. Auto.
L = SE	U = Wrangler 4WD (RHD)		ERH, ER0 = 4.0L Power Tech	DDQ = 5 Spd. Manual
M = X				DDD = 5 Speed HD Manual
P = Sahara				DG0 = Auto. Trans.
				DBB = Manual Trans.

AR = Use as required - = Non illustrated part # = New this model year

January 26, 2004

Drive Belts, 2.5L Engine, LHD
Figure 007-505



ITEM	PART NUMBER	QTY	LINE	SERIES	BODY	ENGINE	TRANS	TRIM	DESCRIPTION
------	-------------	-----	------	--------	------	--------	-------	------	-------------

Note: Sales Code EP0 = 2.5L Gas Engine

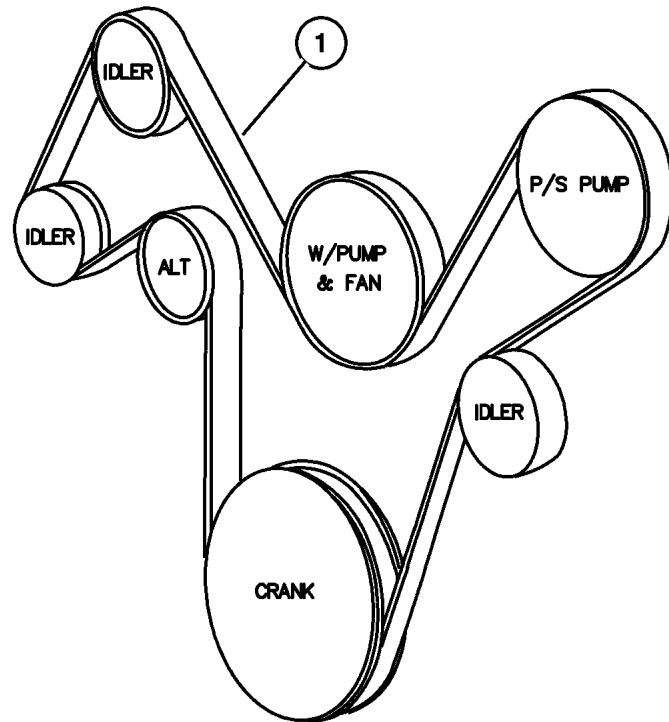
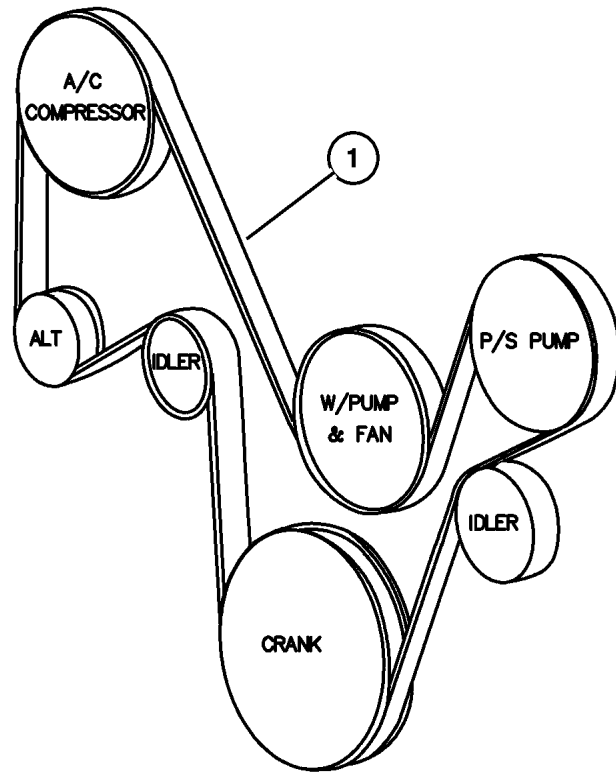
1	5301 0150	1	J			EP0			BELT, Accessory Drive with Air Conditioning
	#53010 257AB	1	J			EP0			without Air Conditioning
-2	5301 0298	1	J			EP0			LABEL, Belt Routing

JEEP WRANGLER (TJ)				TRANSMISSION
SERIES	LINE	BODY	ENGINE	DGG, DGD = 32RH 3 Spd. Auto.
H = Sport	J = Wrangler 4WD	77 = 93.4 WB	EPE, EP0 = 2.5L Power Tech	DDQ = 5 Spd. Manual
L = SE	U = Wrangler 4WD (RHD)		ERH, ER0 = 4.0L Power Tech	DDD = 5 Speed HD Manual
M = X				DG0 = Auto. Trans.
P = Sahara				DBB = Manual Trans.

AR = Use as required - = Non illustrated part # = New this model year

January 26, 2004

Drive Belts, 2.5L Engine, RHD
Figure 007-510



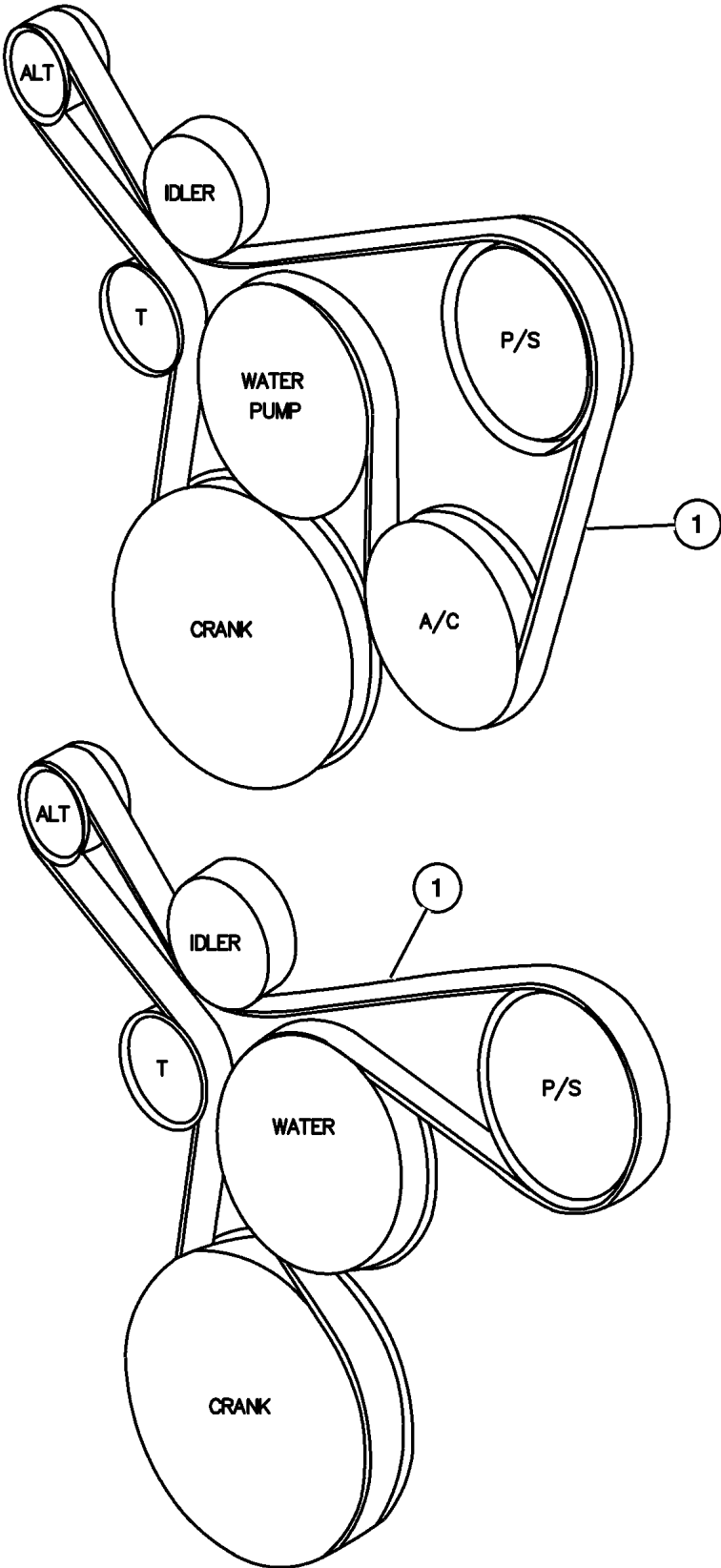
ITEM	PART NUMBER	QTY	LINE	SERIES	BODY	ENGINE	TRANS	TRIM	DESCRIPTION
1									BELT, Accessory Drive
	5301 0234	1	U			EP0			with Air Conditioning
	53013 124AB	1	U			EP0			without Air Conditioning
-2	53013 005AB	1	U			EP0			LABEL, Belt Routing

JEEP WRANGLER (TJ)				TRANSMISSION
SERIES	LINE	BODY	ENGINE	DGG, DGD = 32RH 3 Spd. Auto.
H = Sport	J = Wrangler 4WD	77 = 93.4 WB	EPE, EP0 = 2.5L Power Tech	DDQ = 5 Spd. Manual
L = SE	U = Wrangler 4WD (RHD)		ERH, ER0 = 4.0L Power Tech	DDD = 5 Speed HD Manual
M = X				DG0 = Auto. Trans.
P = Sahara				DBB = Manual Trans.

AR = Use as required - = Non illustrated part # = New this model year

January 26, 2004

Drive Belts, 4.0L Engine
Figure 007-515



ITEM	PART NUMBER	QTY	LINE	SERIES	BODY	ENGINE	TRANS	TRIM	DESCRIPTION
1									BELT, Accessory Drive
	53013 209AC	1				ER0			without Air Conditioning
	#4854 033AB	1				ER0			with Air Conditioning
-2	53031 700AB	1				ER0			LABEL, Belt Routing

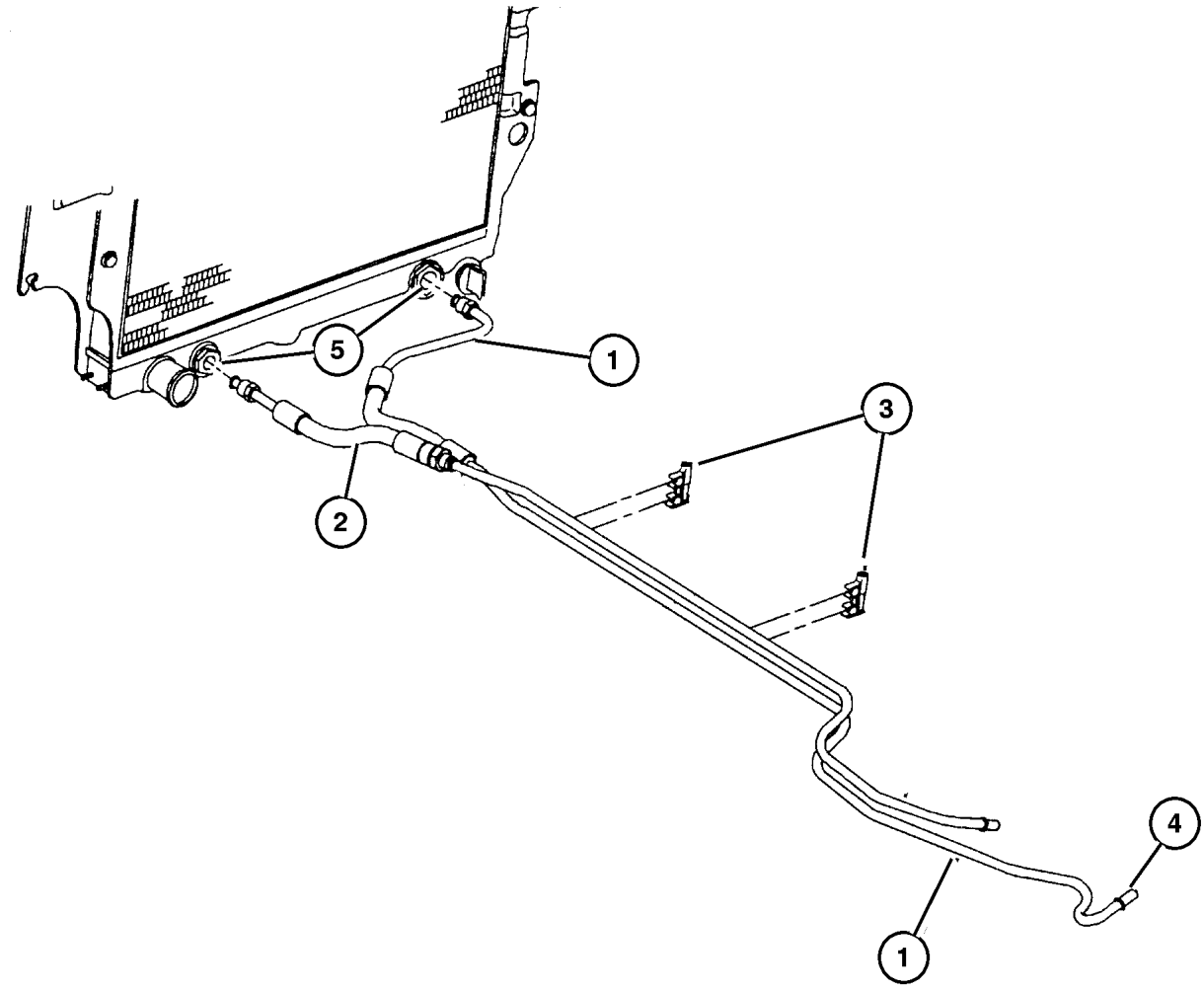
JEEP WRANGLER (TJ)

SERIES	LINE	BODY	ENGINE	TRANSMISSION
H = Sport	J = Wrangler 4WD	77 = 93.4 WB	EPE, EP0 = 2.5L Power Tech	DGG, DGD = 32RH 3 Spd. Auto.
L = SE	U = Wrangler 4WD (RHD)		ERH, ER0 = 4.0L Power Tech	DDQ = 5 Spd. Manual
M = X				DDD = 5 Speed HD Manual
P = Sahara				DG0 = Auto. Trans.
				DBB = Manual Trans.

AR = Use as required - = Non illustrated part # = New this model year

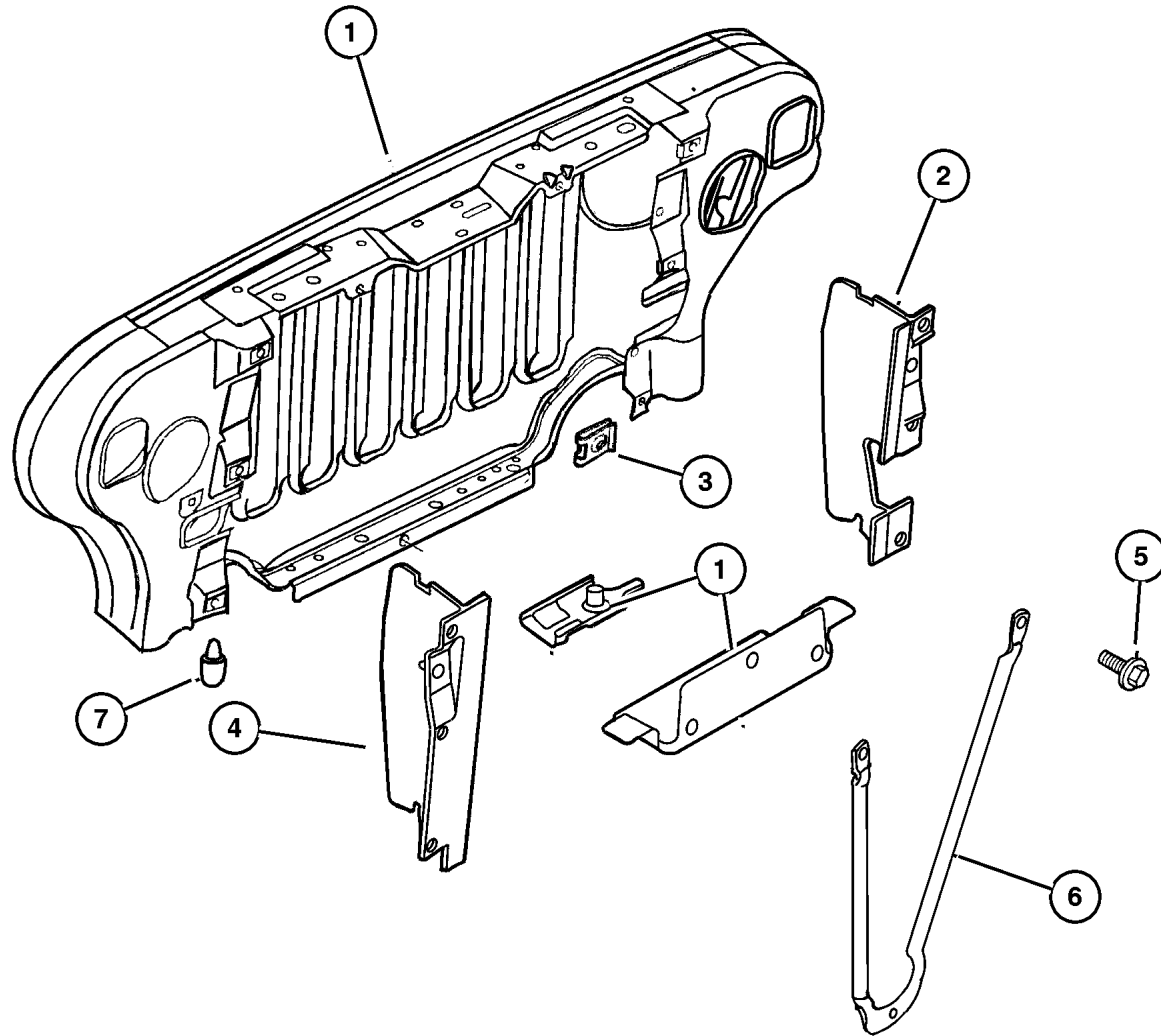
Oil Cooler Lines Figure 007-605

ITEM	PART NUMBER	QTY	LINE	SERIES	BODY	ENGINE	TRANS	TRIM	DESCRIPTION
Note: Sales Code DG0 = All Auto Trans									
Note: Sales Code EP0 = 2.5L Gas Engine									
Note: Sales Code ER0 = 4.0L Gas Engine									
1	52079 638AB	1					DGD		LINE, Oil Cooler Return, Return TUBE AND HOSE, Oil Cooler
2	52079 687AB	1					DGD		Pressure
	52079 899AB	1				ER0	DG0		Pressure
	52079 901AA	1				ER0	DG0		Return
3									BRACKET, Transmission Oil Cooler
	52079 789AA	2				EP0	DG0		
		1				ER0	DGG		
4									VALVE, Oil Cooler Pressure
	52028 463AD	1				ER0	DG0		
		1					DGD		
5									FITTING, Coolant
	#5102 022AA	2	J			EP0	DG0		
		2	J			ER0	DG0		



JEEP WRANGLER (TJ)			
SERIES	LINE	BODY	TRANSMISSION
H = Sport	J = Wrangler 4WD	77 = 93.4 WB	DGG, DGD = 32RH 3 Spd. Auto.
L = SE	U = Wrangler 4WD (RHD)		DDQ = 5 Spd. Manual
M = X			DDD = 5 Speed HD Manual
P = Sahara			DG0 = Auto. Trans.
			DBB = Manual Trans.

**Grille And Related Parts
Figure 007-705**



ITEM	PART NUMBER	QTY	LINE	SERIES	BODY	ENGINE	TRANS	TRIM	DESCRIPTION
Note: Sales Code EP0 = 2.5L Gas Engine									
Note: Sales Code ER0 = 4.0L Gas Engine									
1	55174 594AC	1							PANEL, Radiator Closure, after 1-3-97
2	55036 866AC	1							SEAL, Condenser, Condenser to Grille,Right
3									U-NUT, Multi-Thread Spring, 1/4-20, (NOT SERVICED) (Not Serviced)
4	5503 6867	1							SEAL, Condenser, Condenser to Grille, Left
5	6100 548	3							BOLT AND CONED WASHER, Hex Head, M6x20x12.5
6	5517 6218	1							BRACE, Radiator, Radiator Guard
7	5517 6181	2							ISOLATOR

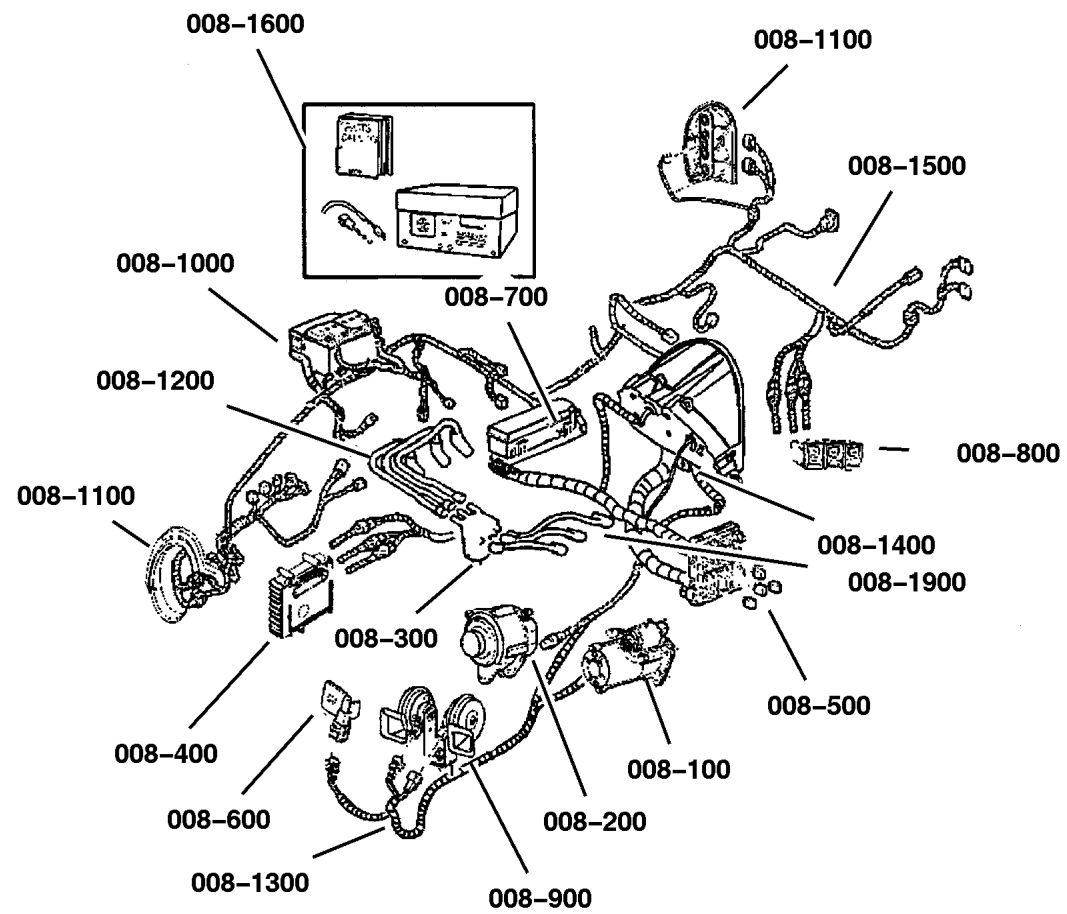
JEEP WRANGLER (TJ)				TRANSMISSION
SERIES	LINE	BODY	ENGINE	
H = Sport	J = Wrangler 4WD	77 = 93.4 WB	EPE, EP0 = 2.5L Power Tech	DGG, DGD = 32RH 3 Spd. Auto.
L = SE	U = Wrangler 4WD (RHD)		ERH, ER0 = 4.0L Power Tech	DDQ = 5 Spd. Manual
M = X				DDD = 5 Speed HD Manual
P = Sahara				DG0 = Auto. Trans.
				DBB = Manual Trans.

AR = Use as required - = Non illustrated part # = New this model year

January 26, 2004

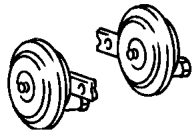
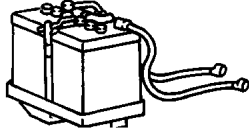
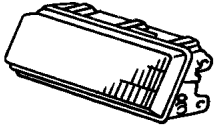
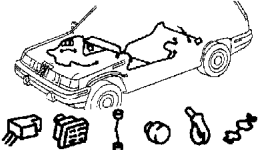


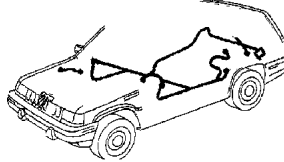
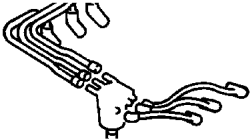
Group – 008

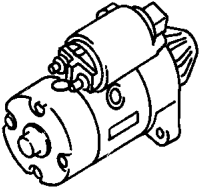
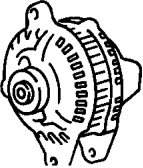
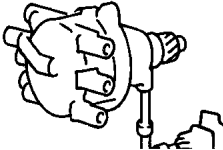
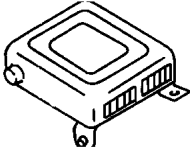
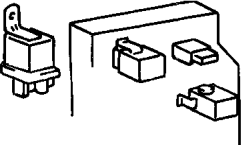
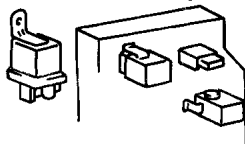
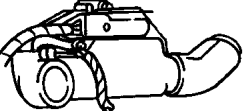
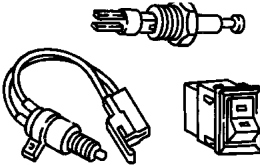
Electrical



Group – 008

Electrical

008-900 Horns 	008-1000 Battery Tray and Cables 	008-1100 Lamps – Front, Rear and Courtesy 	008-1200 Wiring-Engine & Related Parts 
008-1300 Wiring-Headlamp to Dash 	008-1400 Wiring-Instrument Panel 	008-1500 Wiring-Body & Accessories 	008-1600 Wiring Repair <p>WIRING REPAIR PKG.</p>
008-1900 Spark Plugs-Cables-Coils 			

008-100 Starters 	008-200 Alternators 	008-300 Distributor 	008-400 Modules 
008-500 Relays 	008-600 Sensors 	008-700 Single Board Engine Controllers 	008-800 Switches 



GROUP 8 - Electrical

Illustration Title	Group-Fig. No.
Starters	
Starter	Fig. 008-105
Alternators	
Alternator [2.5 Engine]	Fig. 008-205
Alternator [4.0 Engine]	Fig. 008-210
Distributor	
Distributor 2.5L Engine	Fig. 008-305
Modules	
Modules	Fig. 008-405
Relays	
Power Distribution Center Relays and Fuses	Fig. 008-505
Fuse Block	Fig. 008-510
Sensors	
Sensors Engine 2.5L [EP0]	Fig. 008-605
Sensors Engine 4.0L [ER0]	Fig. 008-610
Sensors - Body	Fig. 008-615
Sensors Drive Train	Fig. 008-620
Single Board Engine Controllers	
Single Board Engine Controllers (JTEC Module)	Fig. 008-705
Switches	
Switches - Instrument Panel	Fig. 008-805
Switches Drivetrain	Fig. 008-810
Switches - Body	Fig. 008-815
Horns	
Horns	Fig. 008-905
Battery Tray and Cables	
Battery Tray & Cables	Fig. 008-1005
Lamps - Front, Rear and Courtesy	
Lamps--Front	Fig. 008-1105
Lamps--Rear	Fig. 008-1110
Lamps--Cargo-Dome-Courtesy	Fig. 008-1115
Bulbs & Sockets	Fig. 008-1120
Wiring-Engine & Related Parts	
Wiring--Engine & Related Parts	Fig. 008-1205
Wiring-Headlamp to Dash	
Wiring--Headlamp / Dash Panel	Fig. 008-1305

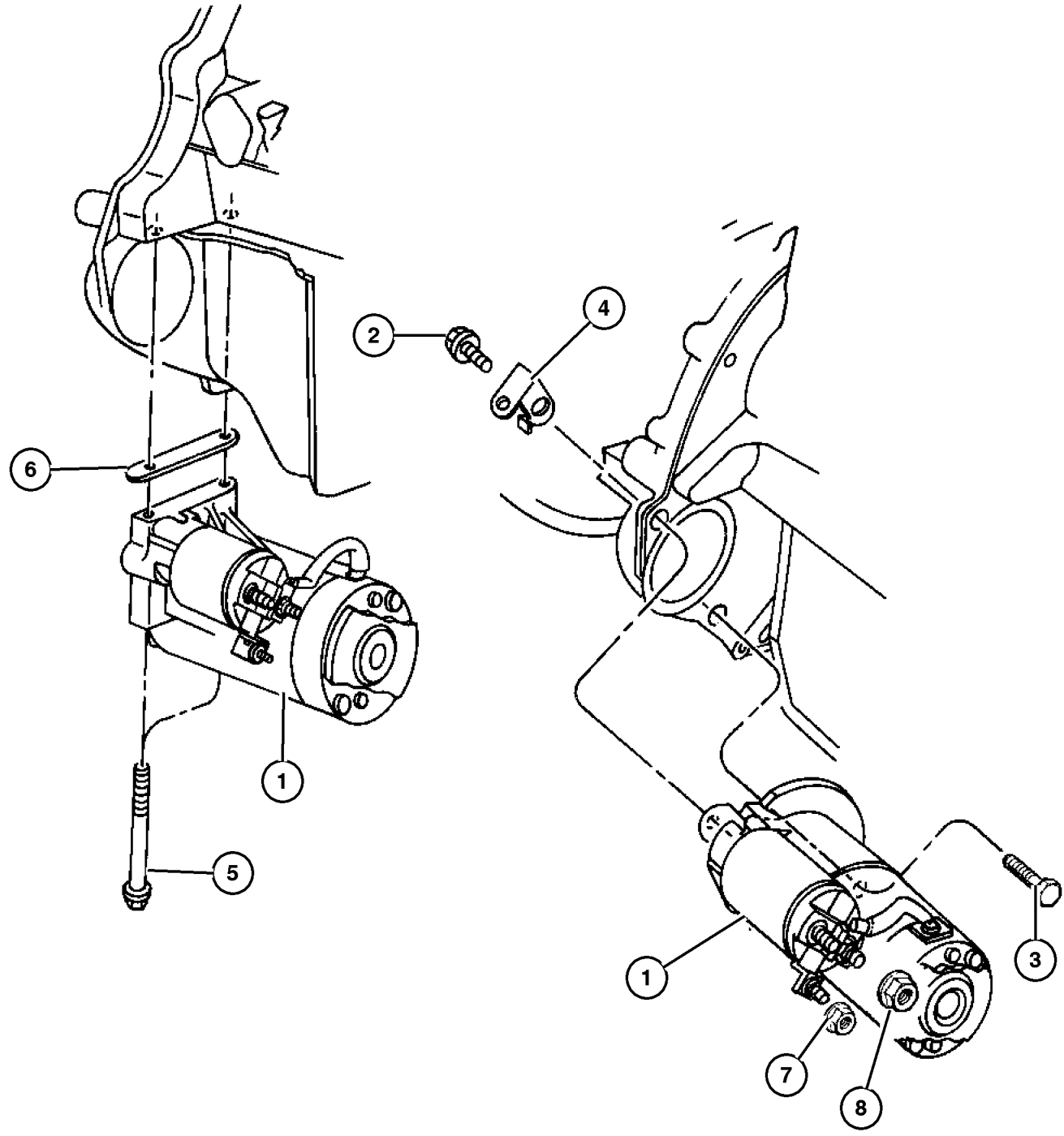
GROUP 8 - Electrical

Illustration Title	Group-Fig. No.
Wiring-Instrument Panel	
Wiring Instrument Panel & Fuses	Fig. 008-1405
Wiring-Body & Accessories	
Wiring--Body & Accessory	Fig. 008-1505
Wiring Repair	
Wiring Repair Packages	Fig. 008-1605
Power Distribution Center Repair	Fig. 008-1610
Spark Plugs-Cables-Coils	
Spark Plugs--Cables--Coil	Fig. 008-1905



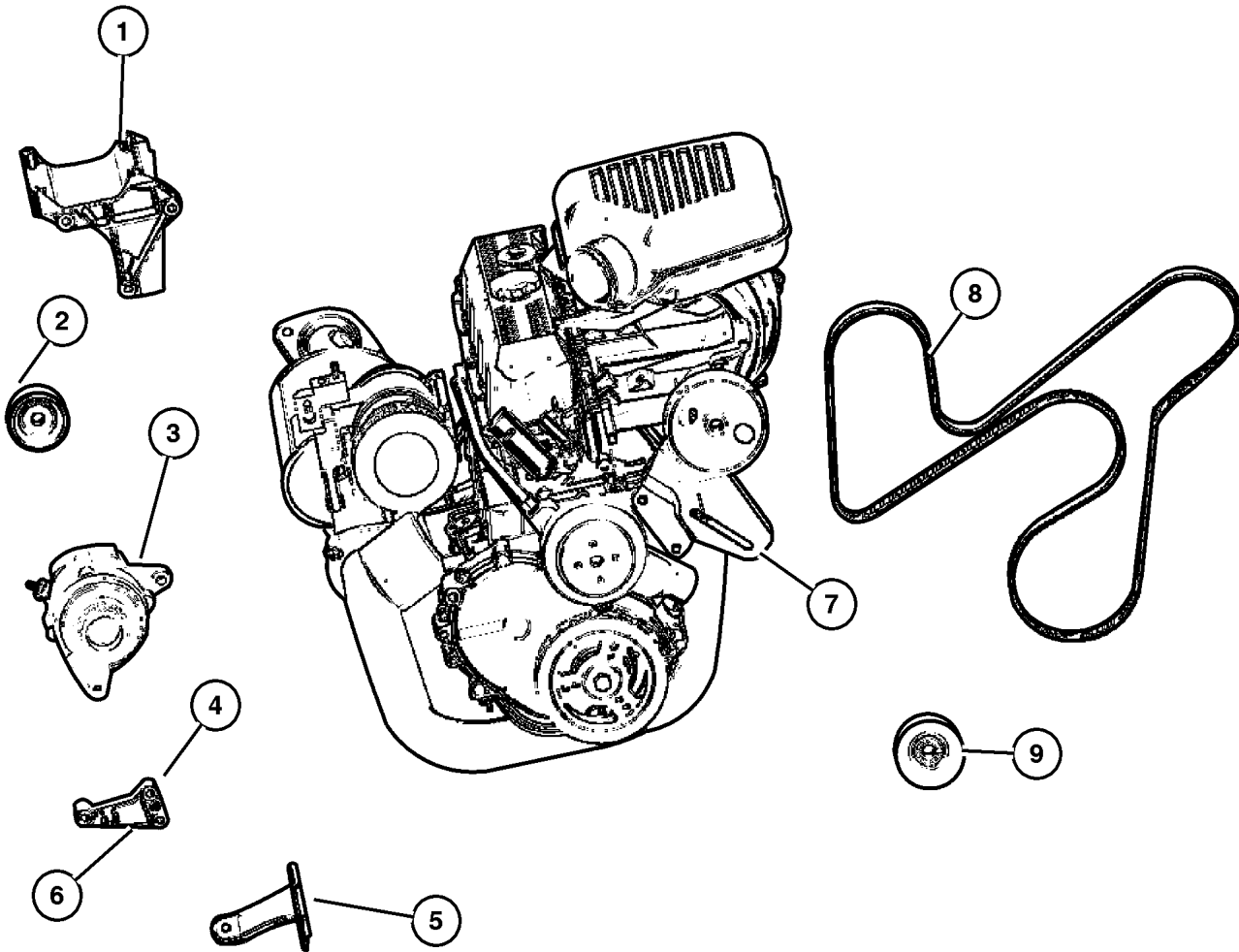
**Starter
Figure 008-105**

ITEM	PART NUMBER	QTY	LINE	SERIES	BODY	ENGINE	TRANS	TRIM	DESCRIPTION
EP0=2.5L Engine ER0=4.0L Engine DG0=Automatic Transmissions DBB=Manual Transmissions									
1									STARTER
	56041 012AB	1				ER0			
	56041 013AE	1				EP0			After 10/02/00
2	6503 699	6				ER0			SCREW AND WASHER, Hex Head, M10x1.5x28
3	J400 6192	1				ER0			BOLT AND WASHER, Hex Head, .375-16x1.75
4	4524 342	2							CLIP
5	6035 607	2				EP0	DBB		SCREW, Starter Motor
6	J324 1711	AR				EP0			SHIM, Starter Motor
7									NUT, [M5x0.80] Not Serviced ***, (NOT SERVICED) (Not Serviced)
8									NUT, [M8x1.25] Not Serviced ***, (NOT SERVICED) (Not Serviced)



JEEP WRANGLER (TJ)				
SERIES	LINE	BODY	ENGINE	TRANSMISSION
H = Sport	J = Wrangler 4WD	77 = 93.4 WB	EPE, EP0 = 2.5L Power Tech	DGG, DGD = 32RH 3 Spd. Auto.
L = SE	U = Wrangler 4WD (RHD)		ERH, ER0 = 4.0L Power Tech	DDQ = 5 Spd. Manual
M = X				DDD = 5 Speed HD Manual
P = Sahara				DG0 = Auto. Trans.
				DBB = Manual Trans.

Alternator [2.5 Engine] Figure 008-205



ITEM	PART NUMBER	QTY	LINE	SERIES	BODY	ENGINE	TRANS	TRIM	DESCRIPTION
Notes:									
[EP0] = 2.5L Engine									
ERH=4.0L Power Tech Engine									
1									BRACKET, Alternator And Compressor
	53013 281AB	1	U			EP0			
	53010 224AB	1	J			EP0			
2	5301 0230	1				EP0			PULLEY, Idler
3									ALTERNATOR
	56005 684AC	1				EP0			81 AMP
	56028 686AA	1				EP0			117 AMP
4	5300 7604	1	J			EP0			BRACKET, Alternator, Rear Mounting
5	5300 7506	1	J			EP0			BRACKET, Alternator, Rear Mounting
6	5301 1275	1	U			EP0			BRACKET, Alternator, Lower Mounting
7	5301 0148	1				EP0			BRACKET, Tensioner
8									BELT, Accessory Drive
	5301 0150	1	J			EP0			With Air Conditioning, Power Steering
	53013 124AB	1	U			EP0			With Power Steering, without Air Conditioning
	53013 209AC	1				ER0			Without Air Conditioning
9	4792 112	1				EP0			PULLEY, Idler
-10	6502 134	1				EP0			BOLT, Hex Flange Head, M10x1.50x110, Alternator Pivot Bolt
-11	6502 135	1	J			EP0			NUT, Hex Flange, M10x1.5, Alternator Pivot Bolt
-12	6502 136	1	J			EP0			BOLT, Hex Flange Head, M10x1.50x55, Alternator Rear Mounting Bracket
-13	6025 063	1	J			EP0			SCREW AND WASHER, .375-16x1.125, Alternator A/C Mounting Bracket
-14	6502 144	1	J			EP0			SCREW AND WASHER, Hex Head, M10x1.5x25, Alternator Brace
-15									BOLT, Hex Head, .375-16x2.50
	6033 949	1	J			EP0			Alternator Bracket to Front Cover
		2	U			EP0			Alternator Bracket to Front Cover

JEEP WRANGLER (TJ)

SERIES
H = Sport
L = SE
M = X
P = Sahara

LINE
J = Wrangler 4WD
U = Wrangler 4WD (RHD)

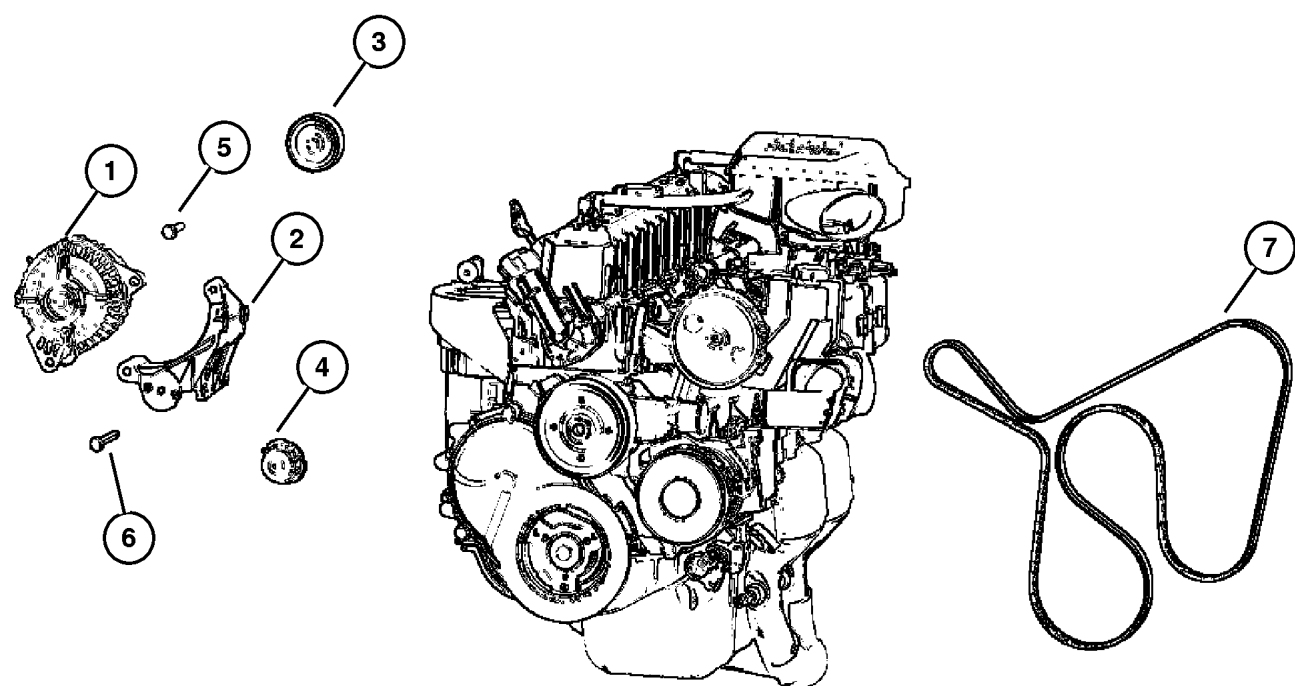
BODY
77 = 93.4 WB

ENGINE
EPE, EP0 = 2.5L Power Tech
ERH, ER0 = 4.0L Power Tech

TRANSMISSION
DGG, DGD = 32RH 3 Spd. Auto.
DDQ = 5 Spd. Manual
DDD = 5 Speed HD Manual
DG0 = Auto. Trans.
DBB = Manual Trans.

**Alternator [4.0 Engine]
Figure 008-210**

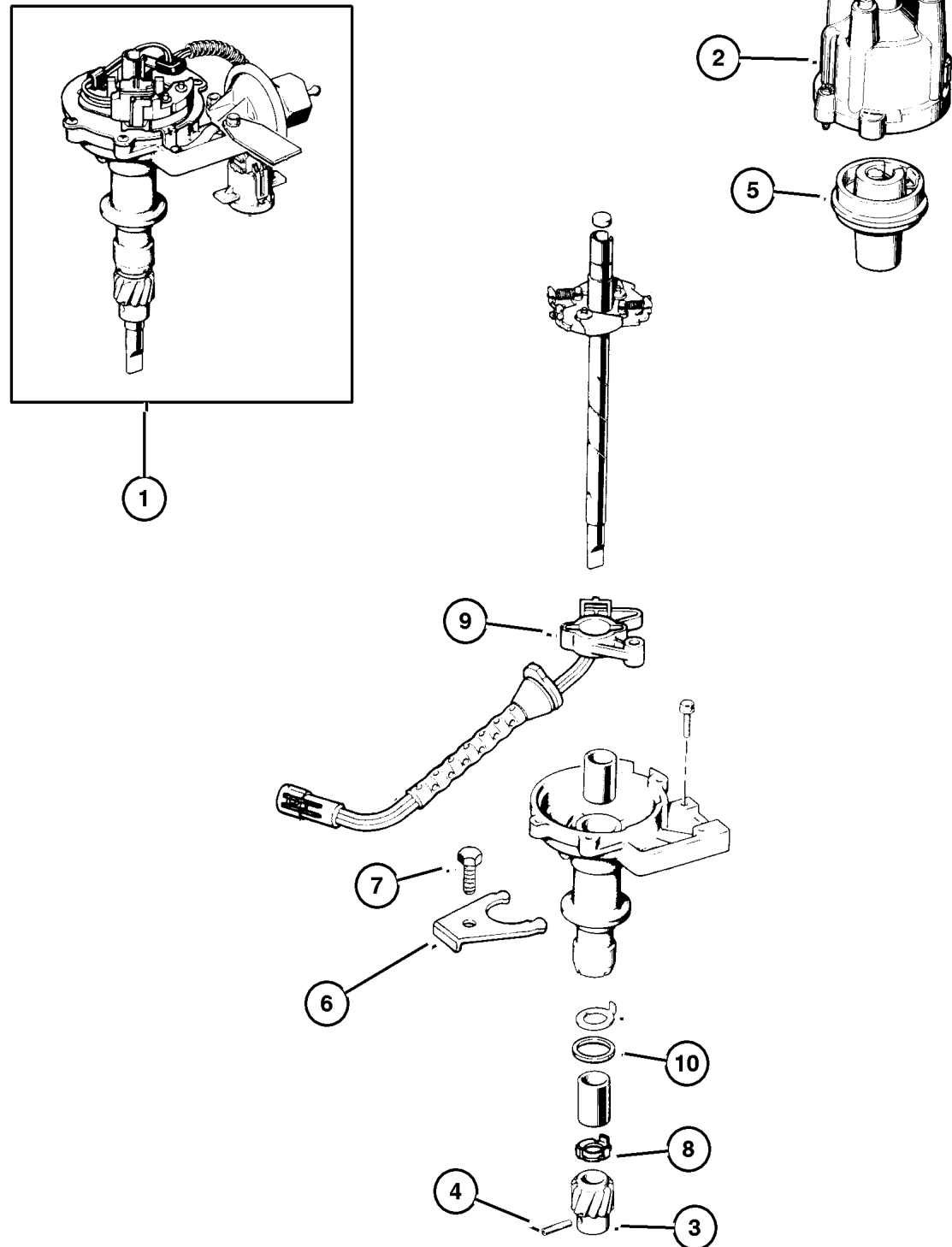
ITEM	PART NUMBER	QTY	LINE	SERIES	BODY	ENGINE	TRANS	TRIM	DESCRIPTION
Notes:									
[ER0]=4.0L Engine									
1	56041 864AA	1				ER0			ALTERNATOR
2	4854 026	1				ER0			BRACKET, Alternator
3	4854 089AB	1				ER0			TENSIONER, Alternator Belt
4	4854 092	1				ER0			PULLEY, Idler
5	0154 854AA	4				ER0			SCREW AND WASHER, Hex
6	6504 344	1				ER0			SCREW AND WASHER, Hex Head
7	53013 209AC	1				ER0			BELT, Accessory Drive



JEEP WRANGLER (TJ)			
SERIES	LINE	BODY	ENGINE
H = Sport	J = Wrangler 4WD	77 = 93.4 WB	EPE, EP0 = 2.5L Power Tech
L = SE	U = Wrangler 4WD (RHD)		ERH, ER0 = 4.0L Power Tech
M = X			
P = Sahara			
			TRANSMISSION
			DGG, DGD = 32RH 3 Spd. Auto.
			DDQ = 5 Spd. Manual
			DDD = 5 Speed HD Manual
			DG0 = Auto. Trans.
			DBB = Manual Trans.

AR = Use as required - = Non illustrated part # = New this model year

Distributor 2.5L Engine Figure 008-305



ITEM	PART NUMBER	QTY	LINE	SERIES	BODY	ENGINE	TRANS	TRIM	DESCRIPTION
Notes:									
[EP0]= 2.5L Engines									
[DGD]= 3 Speed Automatic Transmissions									
[DGG]=3 Speed Automatic Transmissions									
1	5604 1033	1				EP0			DISTRIBUTOR, Engine
2	53006 152AB	1				EP0			CAP, Distributor
3	8350 4635	1				EP0			GEAR, Distributor Drive
4	9422 127	1				EP0			ROLL PIN, .19x.75
5	5602 7019	1				EP0			ROTOR, Distributor
6	3300 4242	1				EP0			CLAMP, Distributor
7									BOLT, Hex Head, .25-28x1-5/8
	6033 479	6					DGD		
		6					DGG		
8	5300 9078	1				EP0			WASHER, Distributor Gear
9	5604 1030	1				EP0			SWITCHPLATE, Distributor
10	J318 1288	1				EP0			GASKET, Distributor

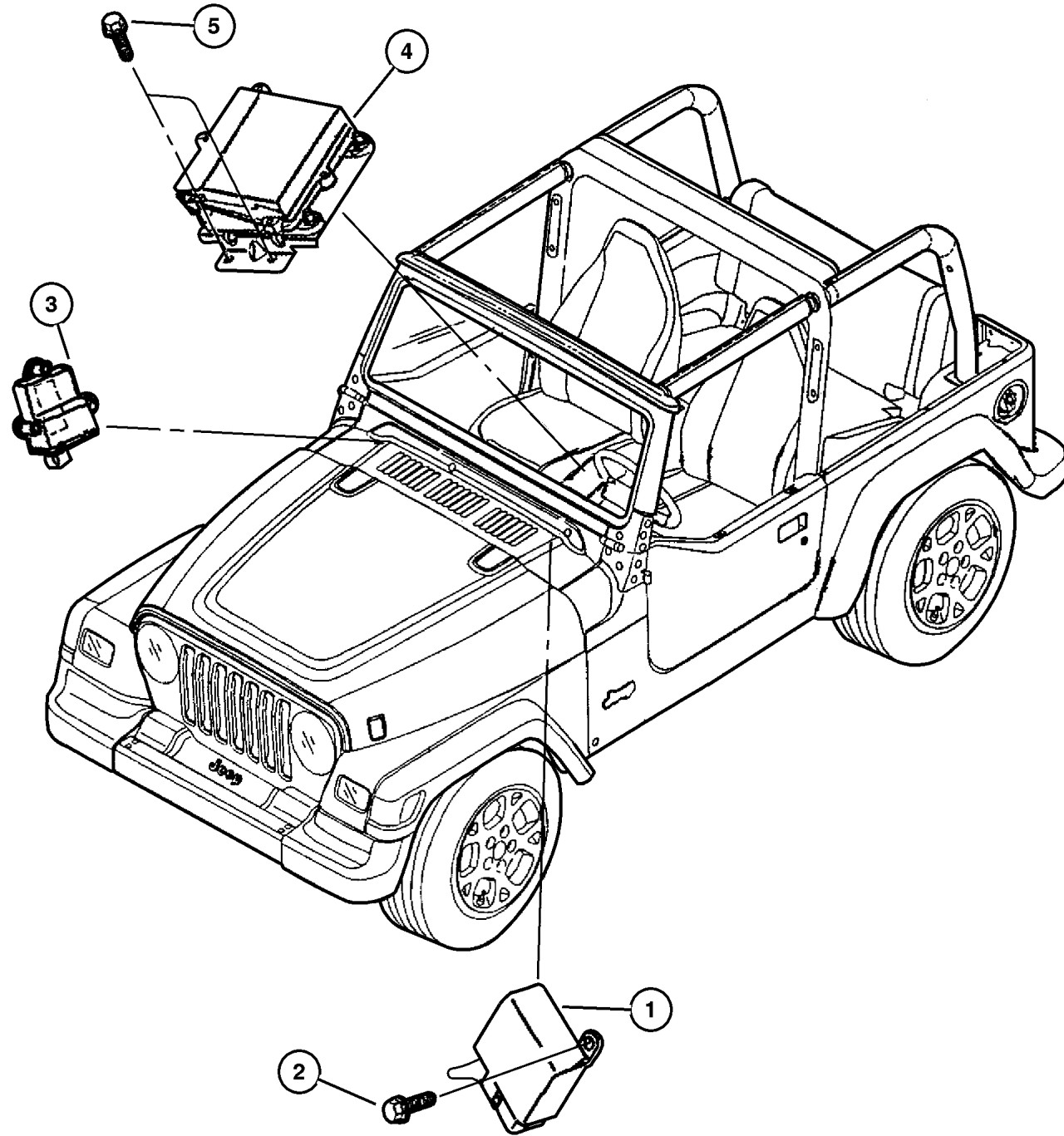
JEEP WRANGLER (TJ)

SERIES	LINE	BODY	ENGINE	TRANSMISSION
H = Sport	J = Wrangler 4WD	77 = 93.4 WB	EPE, EP0 = 2.5L Power Tech	DGG, DGD = 32RH 3 Spd. Auto.
L = SE	U = Wrangler 4WD (RHD)		ERH, ER0 = 4.0L Power Tech	DDQ = 5 Spd. Manual
M = X				DDD = 5 Speed HD Manual
P = Sahara				DG0 = Auto. Trans.
				DBB = Manual Trans.

AR = Use as required - = Non illustrated part # = New this model year

January 26, 2004

Modules
Figure 008-405



ITEM	PART NUMBER	QTY	LINE	SERIES	BODY	ENGINE	TRANS	TRIM	DESCRIPTION
1	5600 4262	1							MODULE, Daytime Running Lamp, Daytime Running Lamp
2									SCREW, 250-14x.625 (Not Serviced) ***, (NOT SERVICED) (Not Serviced)
3	56010 209AB	1							MODULE, Immobilizer
4	#56010 300AC	1							MODULE, Air Bag Control After 10/17/01
	56010 300AB	1							Up to 10/17/01
5									SCREW, M6.3x1.81x20.00 , (NOT SERVICED) (Not Serviced)
-6									LABEL, Air Bag Warning Child seat warning
	4595 746AA	1							Air bag removal
	4595 748AA	1	J						Air bag removal cnanda
	4595 749AA	1	J						Deactivation
	55315 001AA	1	J						

JEEP WRANGLER (TJ)				
SERIES	LINE	BODY	ENGINE	TRANSMISSION
H = Sport	J = Wrangler 4WD	77 = 93.4 WB	EPE, EP0 = 2.5L Power Tech	DGG, DGD = 32RH 3 Spd. Auto.
L = SE	U = Wrangler 4WD (RHD)		ERH, ER0 = 4.0L Power Tech	DDQ = 5 Spd. Manual
M = X				DDD = 5 Speed HD Manual
P = Sahara				DG0 = Auto. Trans.
				DBB = Manual Trans.

AR = Use as required - = Non illustrated part # = New this model year

January 26, 2004

Power Distribution Center Relays and Fuses Figure 008-505

ITEM	PART NUMBER	QTY	LINE	SERIES	BODY	ENGINE	TRANS	TRIM	DESCRIPTION
------	-------------	-----	------	--------	------	--------	-------	------	-------------

Notes:

[DG0] = All Automatic Transmissions

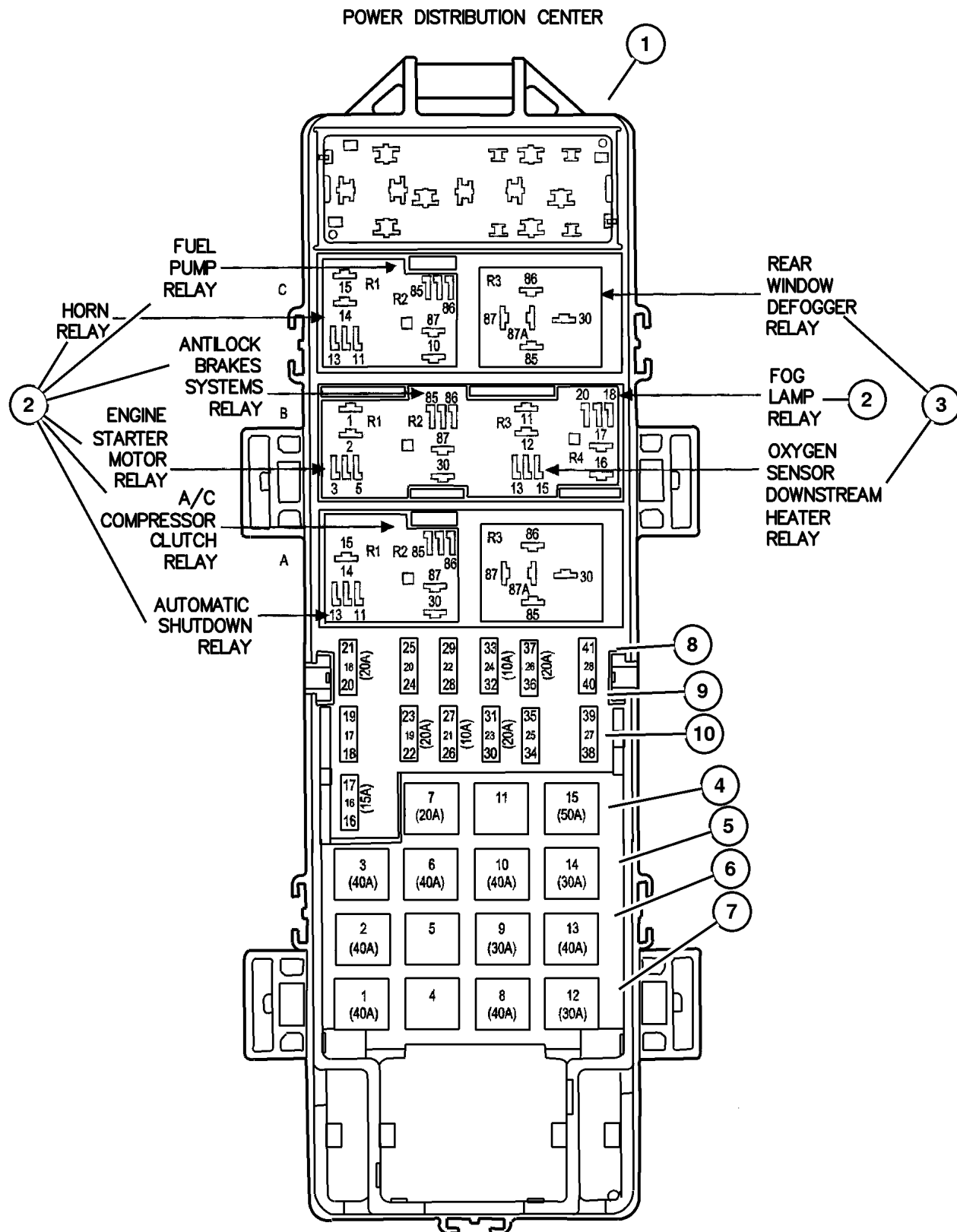
1									POWER DISTRIBUTION CENTER, Serviced in Headlamp to Dash Harness, (NOT SERVICED) (Not Serviced)
2	4671 168	AR							RELAY, Mini, ABS Pump, Clutch, Heater & Foglamp
3	4638 094	1							RELAY PACKAGE, Electrical
4	6102 075AA	AR							FUSE CARTRIDGE, 20 Amp
5	6102 076AA	AR							FUSE CARTRIDGE, 30 Amp
6	6102 077AA	AR							FUSE CARTRIDGE, 40 Amp
7	6102 078AA	AR							FUSE CARTRIDGE, 50 Amp
8	00AT M10	2							FUSE, Mini, 10 AMP, Red
9	00AT M15	AR							FUSE, Mini, 15 AMP, Light Blue
10	00AT M20	1					DG0		FUSE, Mini, 20 AMP, Yellow
-11									COVER, Power Distribution Center
	5072 293AA	1							Top
	56047 000AA	1							Bottom

JEEP WRANGLER (TJ)

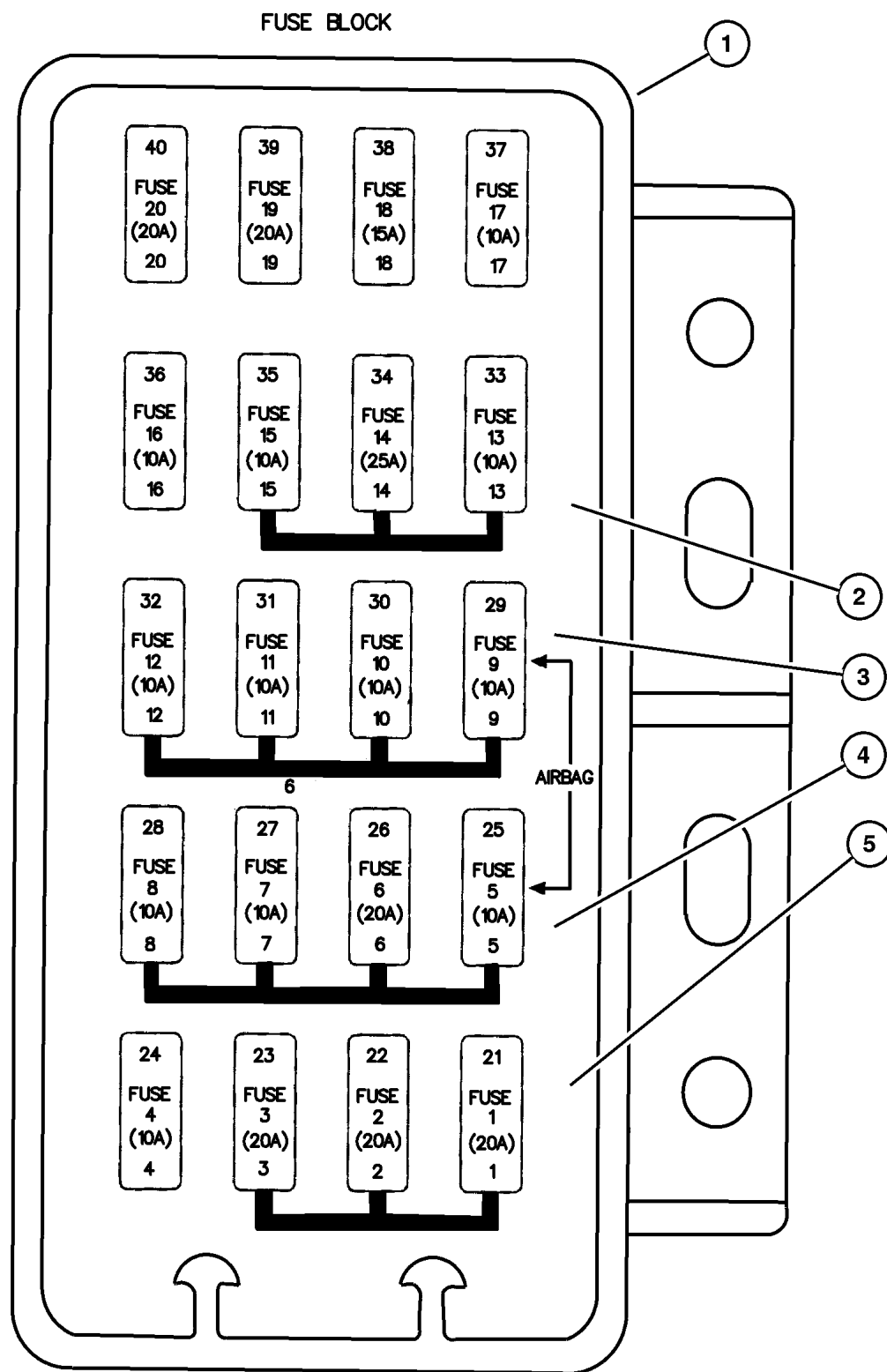
SERIES	LINE	BODY	ENGINE	TRANSMISSION
H = Sport	J = Wrangler 4WD	77 = 93.4 WB	EPE, EP0 = 2.5L Power Tech	DGG, DGD = 32RH 3 Spd. Auto.
L = SE	U = Wrangler 4WD (RHD)		ERH, ER0 = 4.0L Power Tech	DDQ = 5 Spd. Manual
M = X				DDD = 5 Speed HD Manual
P = Sahara				DG0 = Auto. Trans.
				DBB = Manual Trans.

AR = Use as required - = Non illustrated part # = New this model year

January 26, 2004



Fuse Block
Figure 008-510



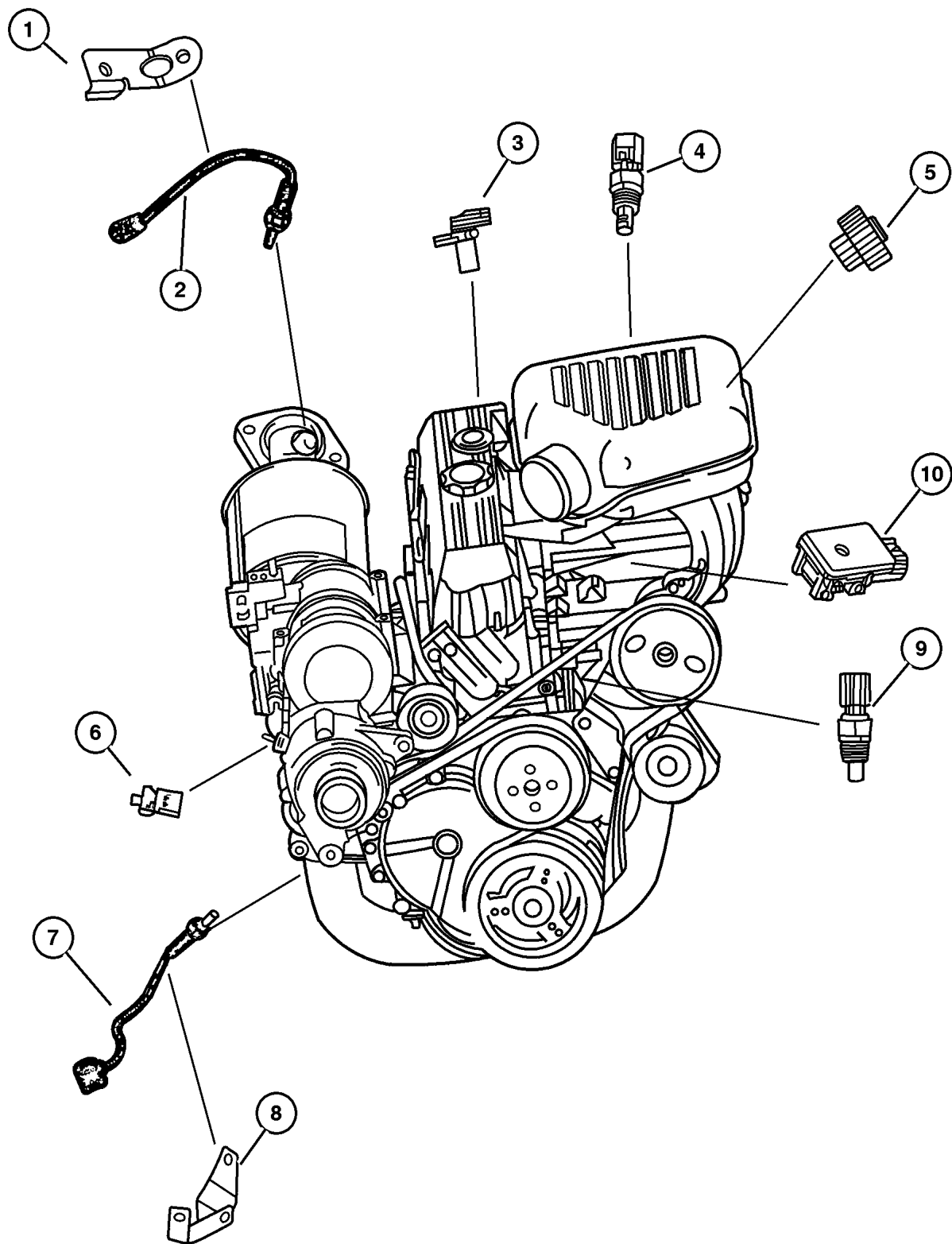
ITEM	PART NUMBER	QTY	LINE	SERIES	BODY	ENGINE	TRANS	TRIM	DESCRIPTION
1									BLOCK, Fuse, Serviced in Cross Body Harness, (NOT SERVICED) (Not Serviced)
2	00AT M10	2							FUSE, Mini, 10 AMP, Red
3	00AT M15	AR							FUSE, Mini, 15 AMP, Light Blue
4	6101 488	1							FUSE, Mini, 20 AMP, Yellow
5	00AT M25	AR							FUSE, Mini, 25 Amp, Natural

JEEP WRANGLER (TJ)
 SERIES LINE BODY ENGINE TRANSMISSION
 H = Sport J = Wrangler 4WD 77 = 93.4 WB EPE, EP0 = 2.5L Power Tech DGG, DGD = 32RH 3 Spd. Auto.
 L = SE U = Wrangler 4WD (RHD) ERH, ER0 = 4.0L Power Tech DDQ = 5 Spd. Manual
 M = X DDD = 5 Speed HD Manual
 P = Sahara DGO = Auto. Trans.
 DBB = Manual Trans.

AR = Use as required - = Non illustrated part # = New this model year

January 26, 2004

**Sensors Engine 2.5L [EP0]
Figure 008-605**



ITEM	PART NUMBER	QTY	LINE	SERIES	BODY	ENGINE	TRANS	TRIM	DESCRIPTION
Notes:									
[EP0] = 2.5L Engine									
[ER0] = 4.0L Engine									
1	5604 1069	1				EP0			BRACKET, Oxygen Sensor
2	56029 112AA	1				EP0			SENSOR, Oxygen, After Catalyst
3	56027 865AB	1				EP0			SENSOR, Crankshaft Position
4	5602 7872	1				EP0, ER0			SENSOR, Air Temperature
5	#5086 203AA	1				EP0			SENSOR PACKAGE, Throttle Position
6	#56028 807AB	1				EP0, ER0			SENDING UNIT, Oil Pressure
7	56031 110AA	1				EP0			SENSOR, Oxygen
8	5604 1069	1				EP0			BRACKET, Oxygen Sensor
9	5602 7873	1				EP0, ER0			SENSOR, Coolant Temperature
10	5602 9405	1				EP0, ER0			SENSOR, Map
-11	3420 2536	2				EP0	DGD		STUD, .312-18x2.26, Crank Sensor Mounting

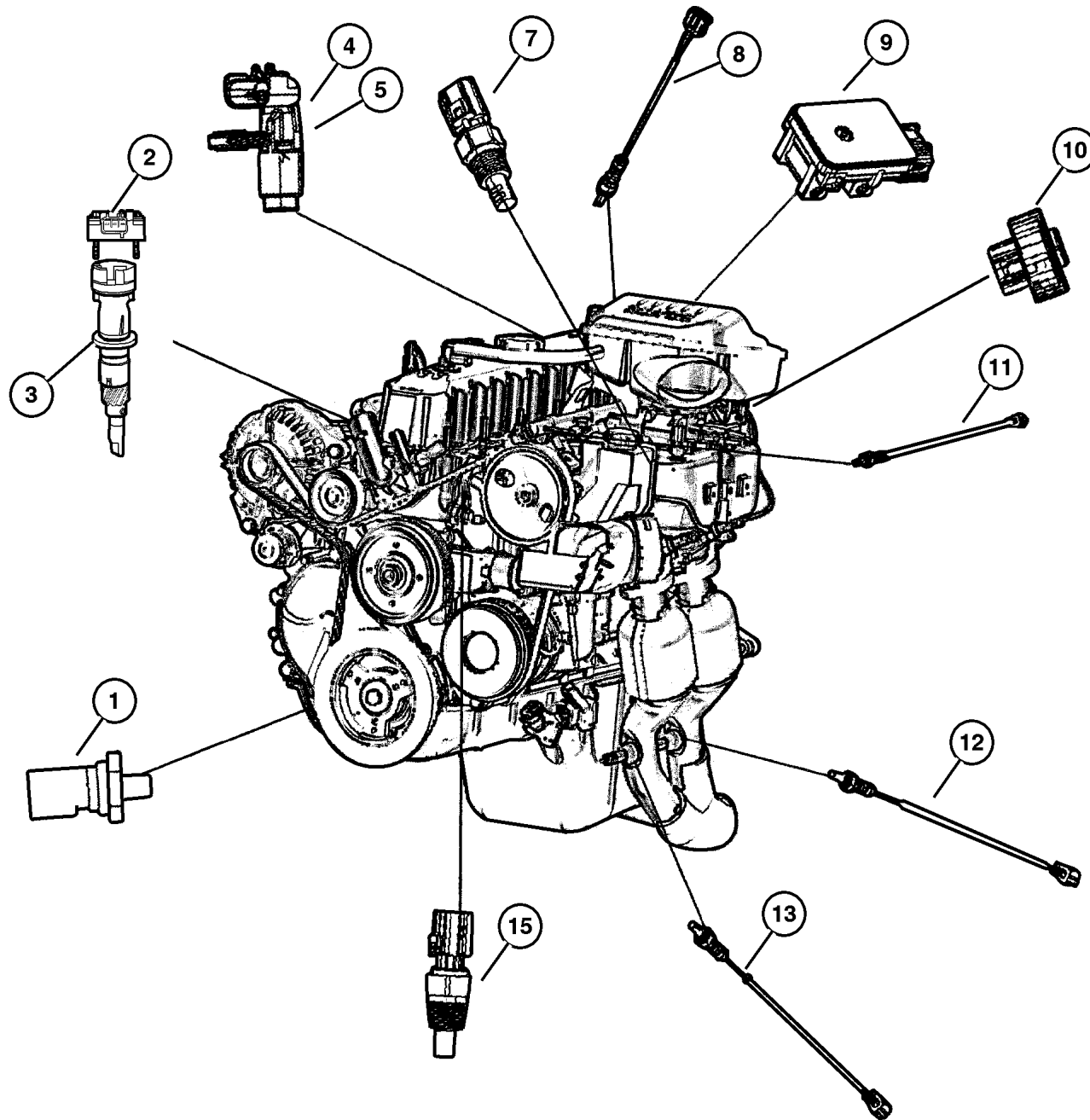
JEEP WRANGLER (TJ)

SERIES	LINE	BODY	ENGINE	TRANSMISSION
H = Sport	J = Wrangler 4WD	77 = 93.4 WB	EPE, EP0 = 2.5L Power Tech	DGG, DGD = 32RH 3 Spd. Auto.
L = SE	U = Wrangler 4WD (RHD)		ERH, ER0 = 4.0L Power Tech	DDQ = 5 Spd. Manual
M = X				DDD = 5 Speed HD Manual
P = Sahara				DG0 = Auto. Trans.
				DBB = Manual Trans.

AR = Use as required - = Non illustrated part # = New this model year

January 26, 2004

**Sensors Engine 4.0L [ER0]
Figure 008-610**

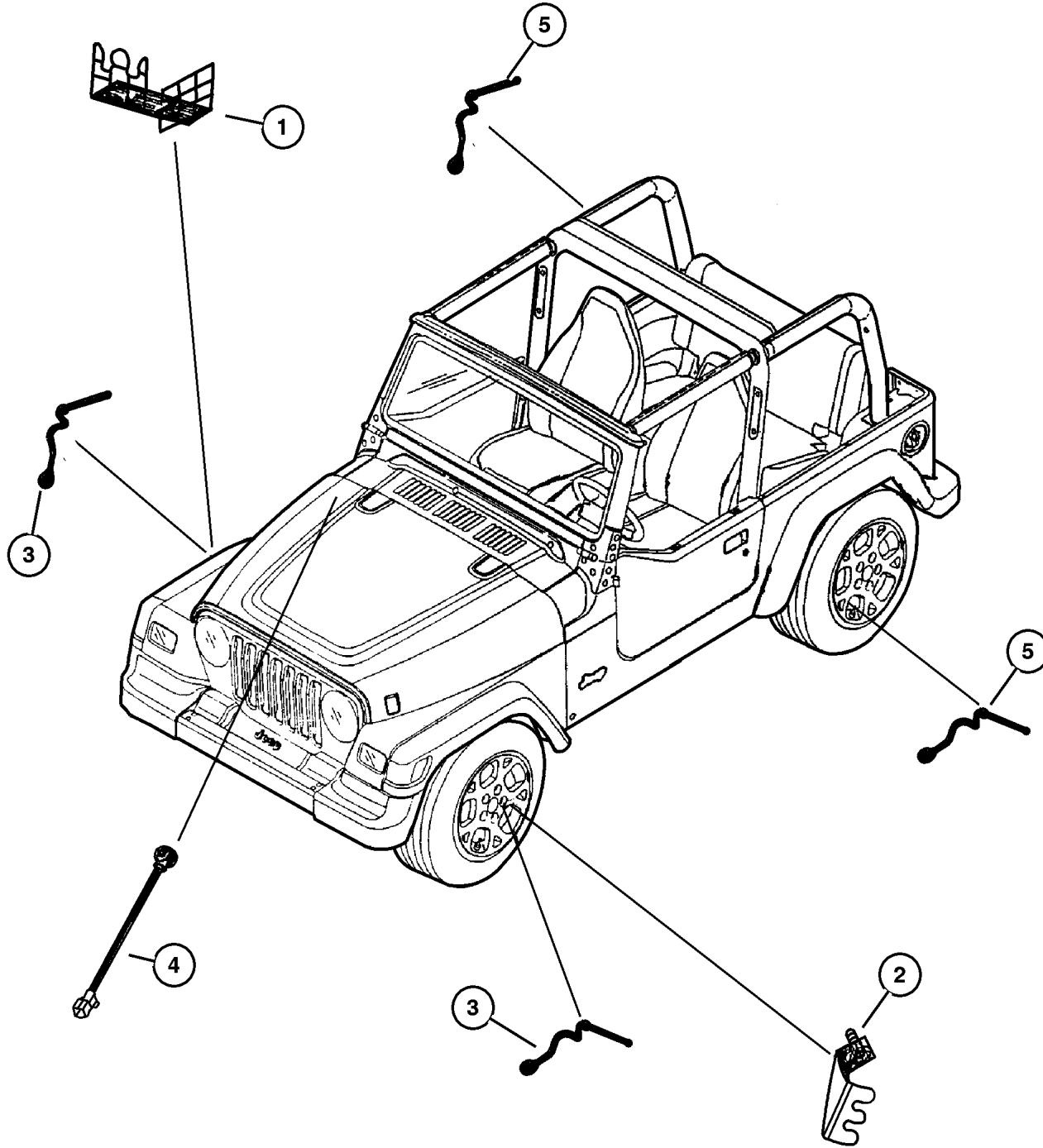


ITEM	PART NUMBER	QTY	LINE	SERIES	BODY	ENGINE	TRANS	TRIM	DESCRIPTION
Notes:									
[ER0]=All 4.0L Engine									
[DG0]=All Automatic Transmissions									
1	#56028 807AB	1				EP0, ER0			SENDING UNIT, Oil Pressure
2	4897 023AA	1				ER0			SENSOR, Camshaft
3	#53010 615AA	1				ER0			DRIVE, OIL PUMP
4	4897 321AA	1				ER0	DG0		SENSOR PACKAGE, Crankshaft Position
5	56027 865AB	1				ER0	DBB		SENSOR, Crankshaft Position
-6	56041 697AA	1				ER0			BRACKET
7	5602 7872	1				EP0, ER0			SENSOR, Air Temperature
8	56030 100AA	1				ER0			SENSOR, Oxygen, Before Catalyst Front
9	5602 9405	1				EP0, ER0			SENSOR, Map
10	#5086 203AA	1				ER0			SENSOR PACKAGE, Throttle Position
11	56031 110AA	1				ER0			SENSOR, Oxygen, Before Catalyst Rear
12									SENSOR, Oxygen
	56041 848AA	1				ER0			After Catalyst Rear
	56041 887AA	1				ER0			After Catalyst Rear Europe
13	56041 847AA	1				ER0			SENSOR, Oxygen, After Catalyst Front
-14									BRACKET, Oxygen Sensor
	56027 978AB	1				ER0			
	56041 400AA	2				ER0			Connector
15	5602 7873	1				EP0, ER0			SENSOR, Coolant Temperature
-16	J420 0413	2				ER0			PLUG, Cylinder Block Oil Hole, O2 Sensor Hole Plug

JEEP WRANGLER (TJ)				
SERIES	LINE	BODY	ENGINE	TRANSMISSION
H = Sport	J = Wrangler 4WD	77 = 93.4 WB	EPE, EP0 = 2.5L Power Tech	DGG, DGD = 32RH 3 Spd. Auto.
L = SE	U = Wrangler 4WD (RHD)		ERH, ER0 = 4.0L Power Tech	DDQ = 5 Spd. Manual
M = X				DDD = 5 Speed HD Manual
P = Sahara				DG0 = Auto. Trans.
				DBB = Manual Trans.

Sensors - Body
Figure 008-615

ITEM	PART NUMBER	QTY	LINE	SERIES	BODY	ENGINE	TRANS	TRIM	DESCRIPTION
1									BRACKET, Brake Sensor
	5602 6766	1	J						At steering knuckle, Right
	5602 6767	1	J						At steering knuckle, Left
2	5200 8920	1							BRACKET, ABS Sensor
3	5602 7727	2	J						SENSOR, Anti-Lock Brakes
4	5602 7332	1							SENSOR, Battery Temperature
5									SENSOR, Anti-Lock Brakes
	5602 7728	1	J						Right
	5602 7729	1	J						Left
-6	5200 8919	1							BRACKET, ABS Sensor



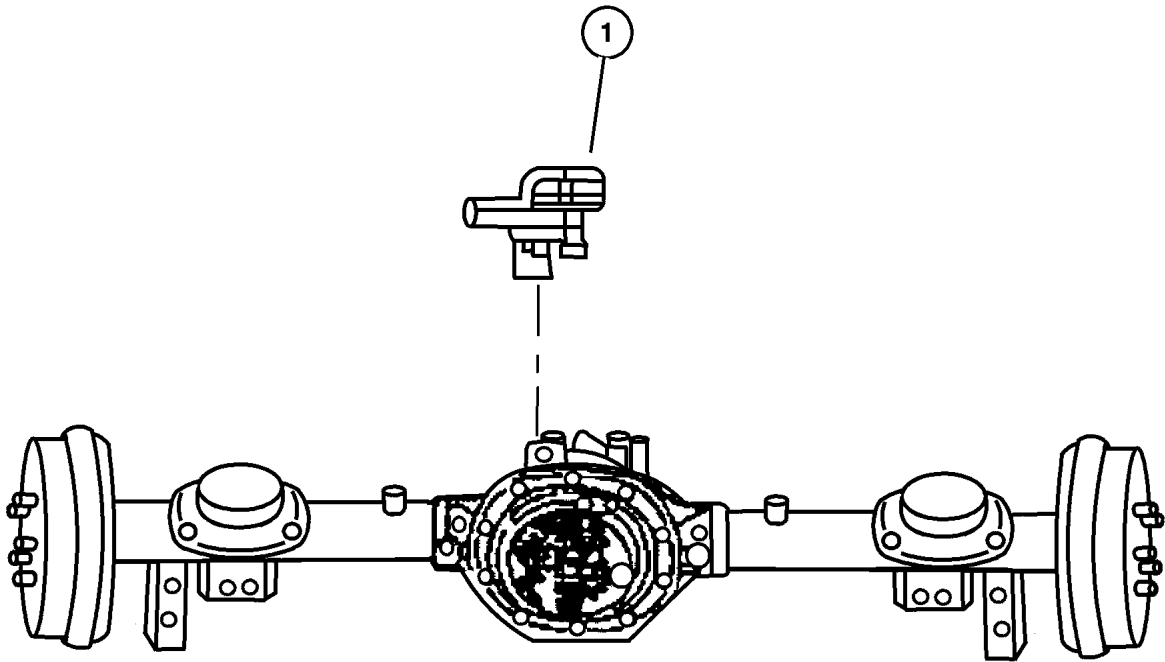
JEEP WRANGLER (TJ)				
SERIES	LINE	BODY	ENGINE	TRANSMISSION
H = Sport	J = Wrangler 4WD	77 = 93.4 WB	EPE, EP0 = 2.5L Power Tech	DGG, DGD = 32RH 3 Spd. Auto.
L = SE	U = Wrangler 4WD (RHD)		ERH, ER0 = 4.0L Power Tech	DDQ = 5 Spd. Manual
M = X				DDD = 5 Speed HD Manual
P = Sahara				DG0 = Auto. Trans.
				DBB = Manual Trans.

AR = Use as required - = Non illustrated part # = New this model year

January 26, 2004

**Sensors Drive Train
Figure 008-620**

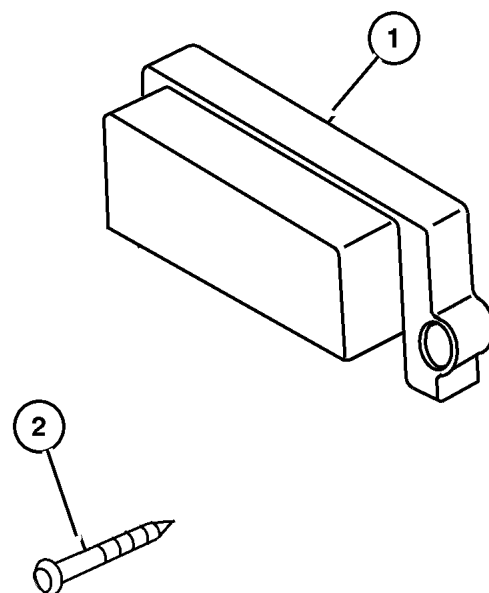
ITEM	PART NUMBER	QTY	LINE	SERIES	BODY	ENGINE	TRANS	TRIM	DESCRIPTION
1	5602 7905	1							SENSOR, Vehicle Speed



JEEP WRANGLER (TJ)				
SERIES	LINE	BODY	ENGINE	TRANSMISSION
H = Sport	J = Wrangler 4WD	77 = 93.4 WB	EPE, EP0 = 2.5L Power Tech	DGG, DGD = 32RH 3 Spd. Auto.
L = SE	U = Wrangler 4WD (RHD)		ERH, ER0 = 4.0L Power Tech	DDQ = 5 Spd. Manual
M = X				DDD = 5 Speed HD Manual
P = Sahara				DG0 = Auto. Trans.
				DBB = Manual Trans.

AR = Use as required - = Non illustrated part # = New this model year

**Single Board Engine Controllers (JTEC Module)
Figure 008-705**



ITEM	PART NUMBER	QTY	LINE	SERIES	BODY	ENGINE	TRANS	TRIM	DESCRIPTION
Notes:									
[EP0]=2.5L Engine									
[ER0]=4.0L Engine									
[DG0]=Automatic Transmission									
[DBB]= Manual Transmission									
[NA1]=Export Emission									
[NAS]=U.S. 50 States Emission									
[NB3]=Euro Stage III Emission									
[NBJ]=Japan Low Emission Vehicle									
[NBT]=Transitory Low Emission Vehicle									
[NBV]=Low Emission Vehicle									
1									MODULE, Powertrain Control
	#56041 930AE	1				ER0	DG0		[NAS, NBV]
	#56041 948AF	1				ER0	DBB		[NA1, NBJ], Export
	#56041 935AD	1				EP0	DBB		[NAS, NBT]
	#56041 937AA	1				EP0	DBB		[NAB], Export
	#56041 939AD	1				EP0	DG0		[NAS, NBT]
	#56041 945AE	1				ER0	DBB		[NAS, NBV]
	#56041 932AF	1				ER0	DG0		[NA1, NB3], Export
	#56041 933AF	1				ER0	DG0		[NA1, NBJ], Export
	#56041 934AE	1				EP0	DBB		[NA1, NB3], Export
	#56041 947AF	1				ER0	DBB		[NA1, NB3], Export
2									SCREW, [.190-16x1.75] , (NOT SERVICED) (Not Serviced)
-3									COVER, Module, (NOT SERVICED) (Not Serviced)

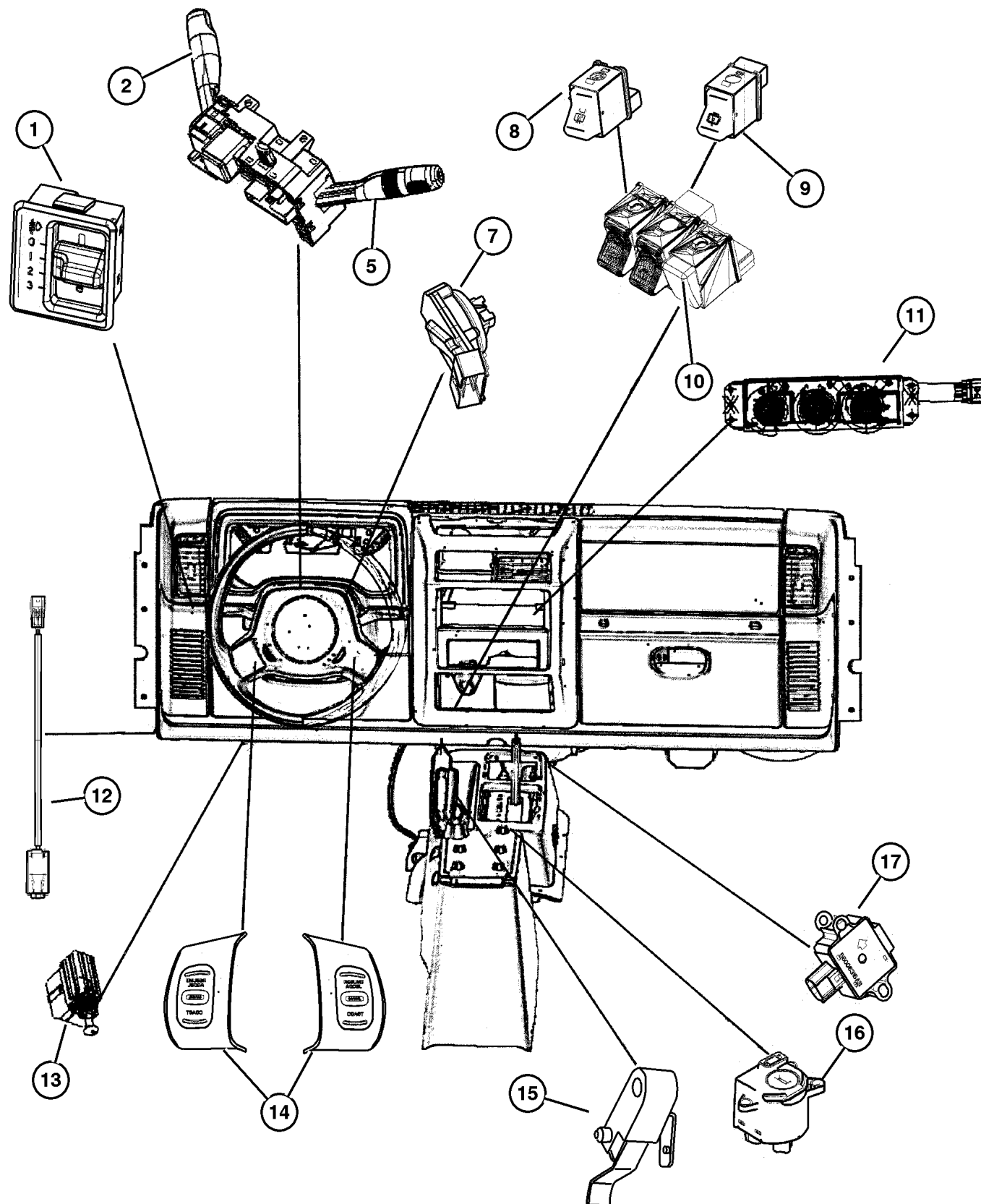
JEEP WRANGLER (TJ)

SERIES	LINE	BODY	ENGINE	TRANSMISSION
H = Sport	J = Wrangler 4WD	77 = 93.4 WB	EPE, EP0 = 2.5L Power Tech	DGG, DGD = 32RH 3 Spd. Auto.
L = SE	U = Wrangler 4WD (RHD)		ERH, ER0 = 4.0L Power Tech	DDQ = 5 Spd. Manual
M = X				DDD = 5 Speed HD Manual
P = Sahara				DG0 = Auto. Trans.
				DBB = Manual Trans.

AR = Use as required - = Non illustrated part # = New this model year

January 26, 2004

Switches - Instrument Panel Figure 008-805



ITEM	PART NUMBER	QTY	LINE	SERIES	BODY	ENGINE	TRANS	TRIM	DESCRIPTION
Notes:									
DG0=Automatic Transmission									
DBB= Manual Transmission									
1	56009 640AB	1							SWITCH, Headlamp Leveling
2									SWITCH, Multifunction, Left Stalk
									Includes Interior Lights, Exterior Lights (High/Low) & Turn Signal Controls
	5016 708AA	1							Without Foglamp
	5016 709AA	1							With Front Foglamp
	5016 710AA	1							With Rear Foglamp (Europe)
-3	6036 075AA	2							SCREW, Pan Head, Multi-Function Switch Mounting
-4	55315 027AB	1							WATERSHIELD, Switch, Left, Multifunction Switch
5	5016 711AA	1							SWITCH, Intermittent Wiper, Right Stalk Includes Windshield Washer & Wiper Functions
-6	55315 026AB	1							WATERSHIELD, Switch, Right, Intermittant Wiper Switch
7	4793 576	1					DG0		SWITCH, Ignition
8	5600 7250	1							SWITCH, Electric Back Light
9	5600 7249	1							SWITCH, Wiper and Washer, Rear
10	5600 7329	1							PLUG, Switch Opening
11									SWITCH, A/C and Heater Vacuum
	5013 832AA	1		U					Without Air Conditioning
	5013 833AA	1		U					With Air Conditioning
12									SWITCH, Clutch Starter Interlock
	5600 9047	1		J			DBB		
		1		U			DBB		
13	4671 336	1							SWITCH, Stop Lamp
14									SWITCH, Speed Control
	56007 530AD	1							Right
	56007 531AD	1							Left
15	5212 7960	1							SWITCH, Parking Brake
16	56010 301AA	1		J					SWITCH, Passenger Airbag Disarm
17	56006 315AB	1							SWITCH, Anti Lock Brake Accelarat

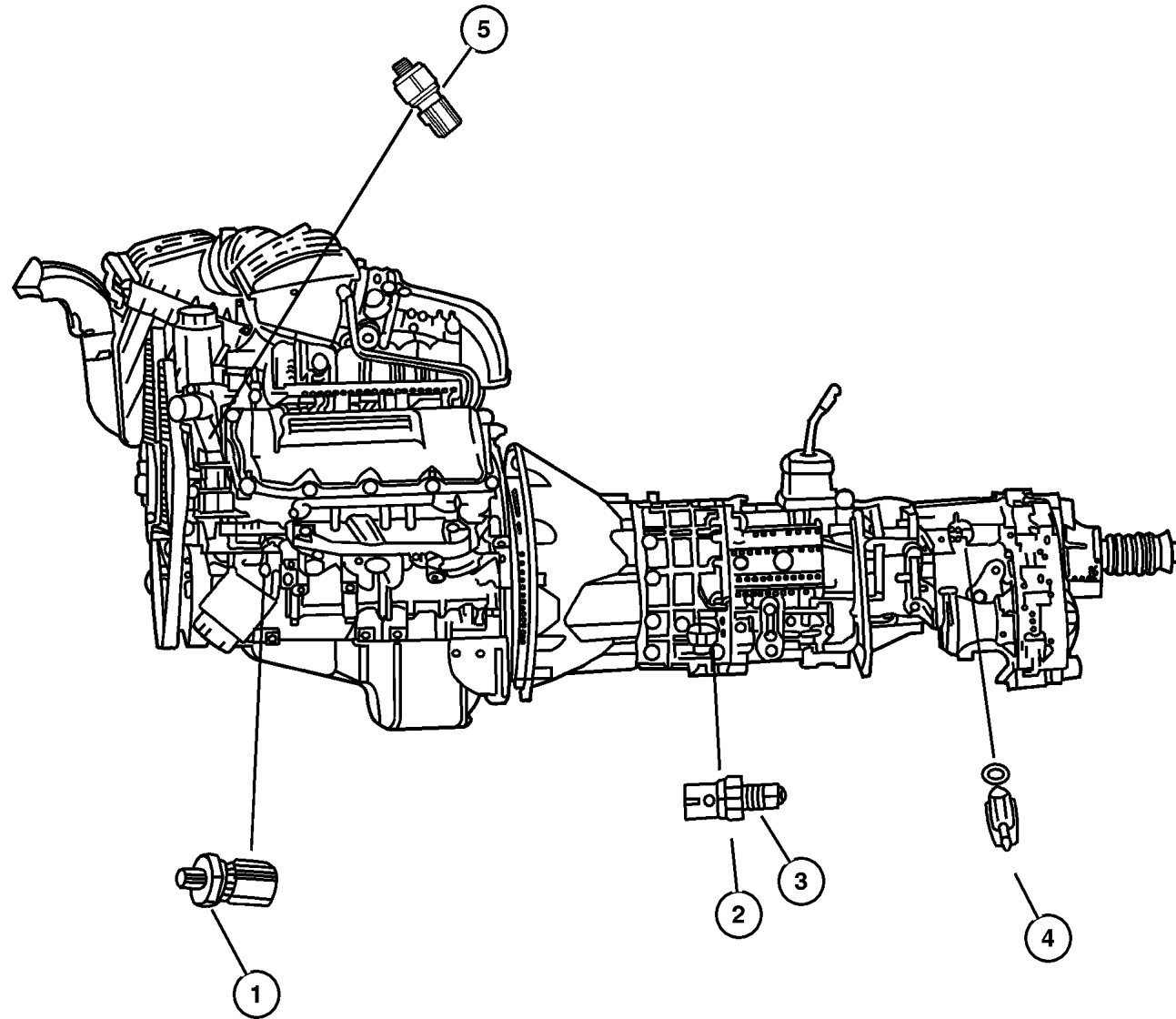
JEEP WRANGLER (TJ)

SERIES	LINE	BODY	ENGINE	TRANSMISSION
H = Sport	J = Wrangler 4WD	77 = 93.4 WB	EPE, EP0 = 2.5L Power Tech	DGG, DGD = 32RH 3 Spd. Auto.
L = SE	U = Wrangler 4WD (RHD)		ERH, ER0 = 4.0L Power Tech	DDQ = 5 Spd. Manual
M = X				DDD = 5 Speed HD Manual
P = Sahara				DG0 = Auto. Trans.
				DBB = Manual Trans.

AR = Use as required - = Non illustrated part # = New this model year

January 26, 2004

Switches Drivetrain
Figure 008-810



ITEM	PART NUMBER	QTY	LINE	SERIES	BODY	ENGINE	TRANS	TRIM	DESCRIPTION
Notes:									
[EP0] = 2.5L Engine									
[ER0] = 4.0L Engine									
[DBB] = Manual Transmission									
[DGG] = 3 Speed Automatic Transmission									
[DGD] = 3 Speed Automatic Transmission									
[DGQ] = 5 Speed Automatic Transmission									
[DDD] = 5 Speed Manual Transmission									
1	#56028 807AB	1				EP0,			SENDING UNIT, Oil Pressure
2	56028 181AB	1				ER0	DGG		SWITCH, Neutral, Safety, Back Up
3	8350 0629	1				EP0	DDQ		SWITCH, Back Up Lamp
	5600 7163	1				ER0	DDD		
4	J813 4473	1				ER0	DBB		SWITCH, Transfer Case Mode
		1				EP0,	DG0		
						ER0			
5	56027 906AB	1	U			EP0			SWITCH, Power Steering
-6	5011 214AA	1	U						SWITCH, Blower Control

JEEP WRANGLER (TJ)

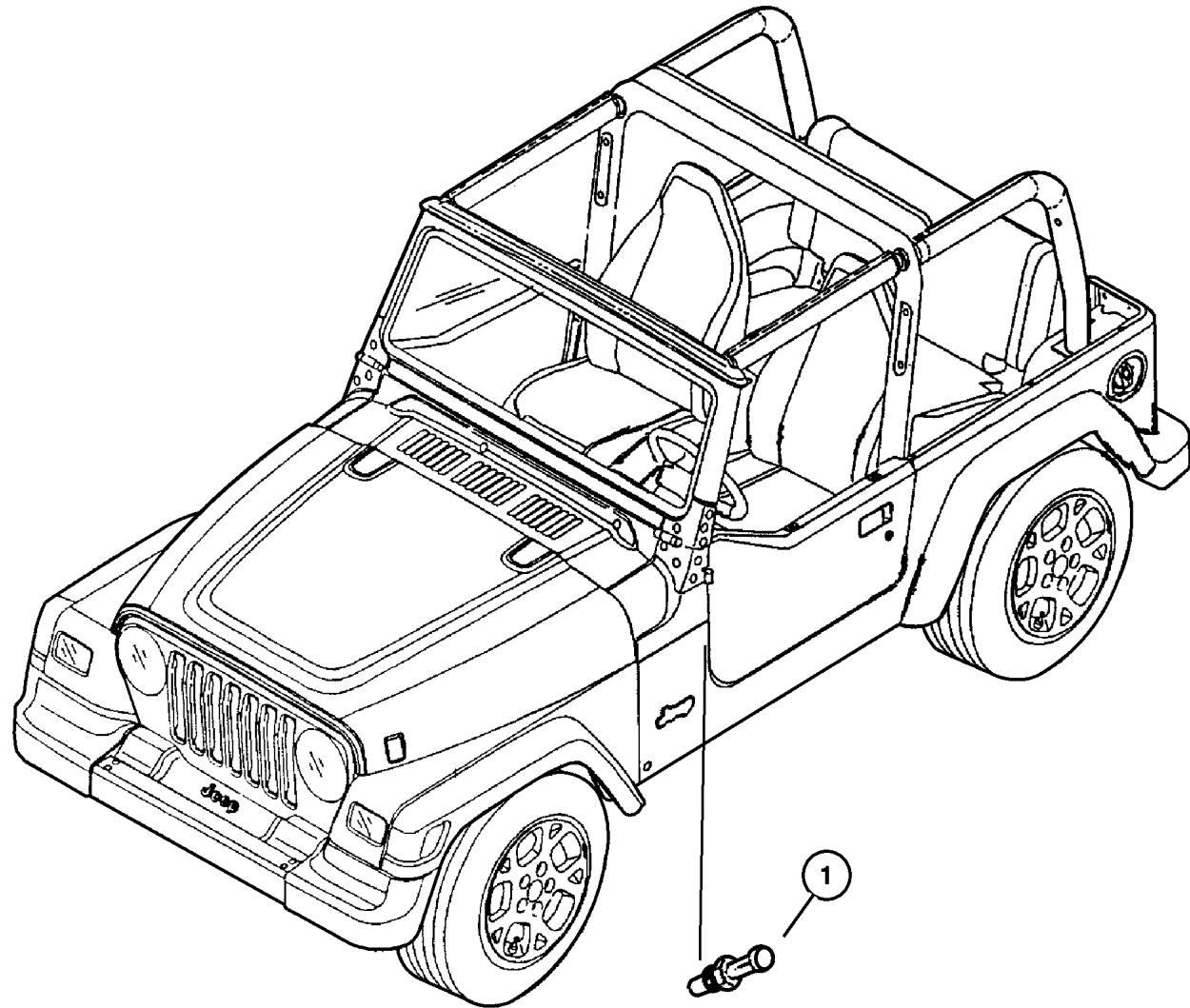
SERIES	LINE	BODY	ENGINE	TRANSMISSION
H = Sport	J = Wrangler 4WD	77 = 93.4 WB	EPE, EP0 = 2.5L Power Tech	DGG, DGD = 32RH 3 Spd. Auto.
L = SE	U = Wrangler 4WD (RHD)		ERH, ER0 = 4.0L Power Tech	DDQ = 5 Spd. Manual
M = X				DDD = 5 Speed HD Manual
P = Sahara				DG0 = Auto. Trans.
				DBB = Manual Trans.

AR = Use as required - = Non illustrated part # = New this model year

January 26, 2004

Switches - Body
Figure 008-815

ITEM	PART NUMBER	QTY	LINE	SERIES	BODY	ENGINE	TRANS	TRIM	DESCRIPTION
1	4687 558	2							SWITCH, Door Ajar



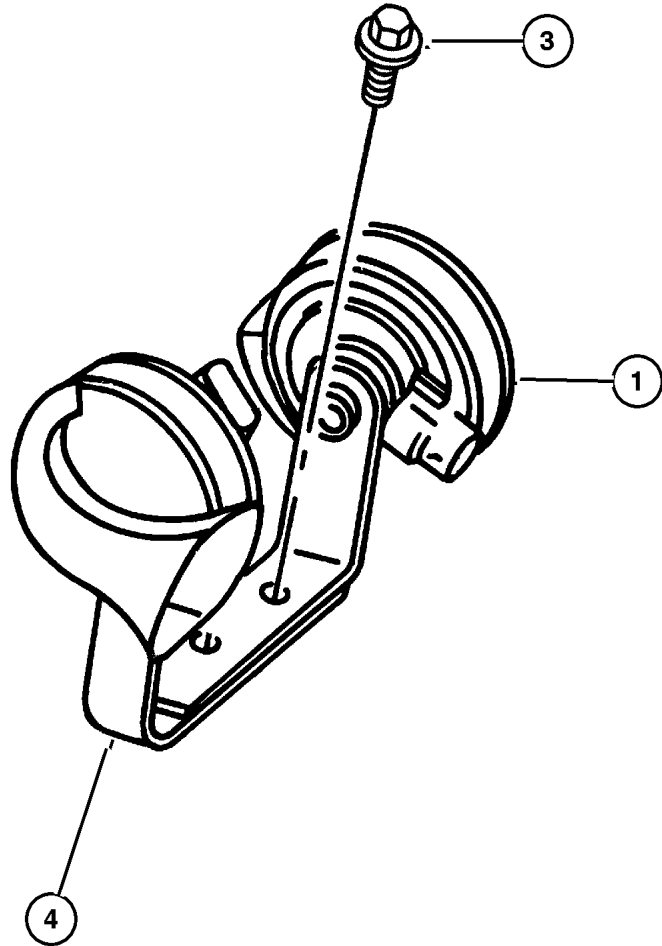
JEEP WRANGLER (TJ)				
SERIES	LINE	BODY	ENGINE	TRANSMISSION
H = Sport	J = Wrangler 4WD	77 = 93.4 WB	EPE, EP0 = 2.5L Power Tech	DGG, DGD = 32RH 3 Spd. Auto.
L = SE	U = Wrangler 4WD (RHD)		ERH, ER0 = 4.0L Power Tech	DDQ = 5 Spd. Manual
M = X				DDD = 5 Speed HD Manual
P = Sahara				DG0 = Auto. Trans.
				DBB = Manual Trans.

AR = Use as required - = Non illustrated part # = New this model year

January 26, 2004

Horns Figure 008-905

ITEM	PART NUMBER	QTY	LINE	SERIES	BODY	ENGINE	TRANS	TRIM	DESCRIPTION
1	#56047 031AA	1							HORN, Duel
-2	#56047 032AA	1							HORN, Low Note
3									SCREW, Tap, M8x1.25x22, (NOT SERVICED) (Not Serviced)
4									BRACKET, Horn Mounting (Serviced In Assembly Item # 1), (NOT SERVICED) (Not Serviced)



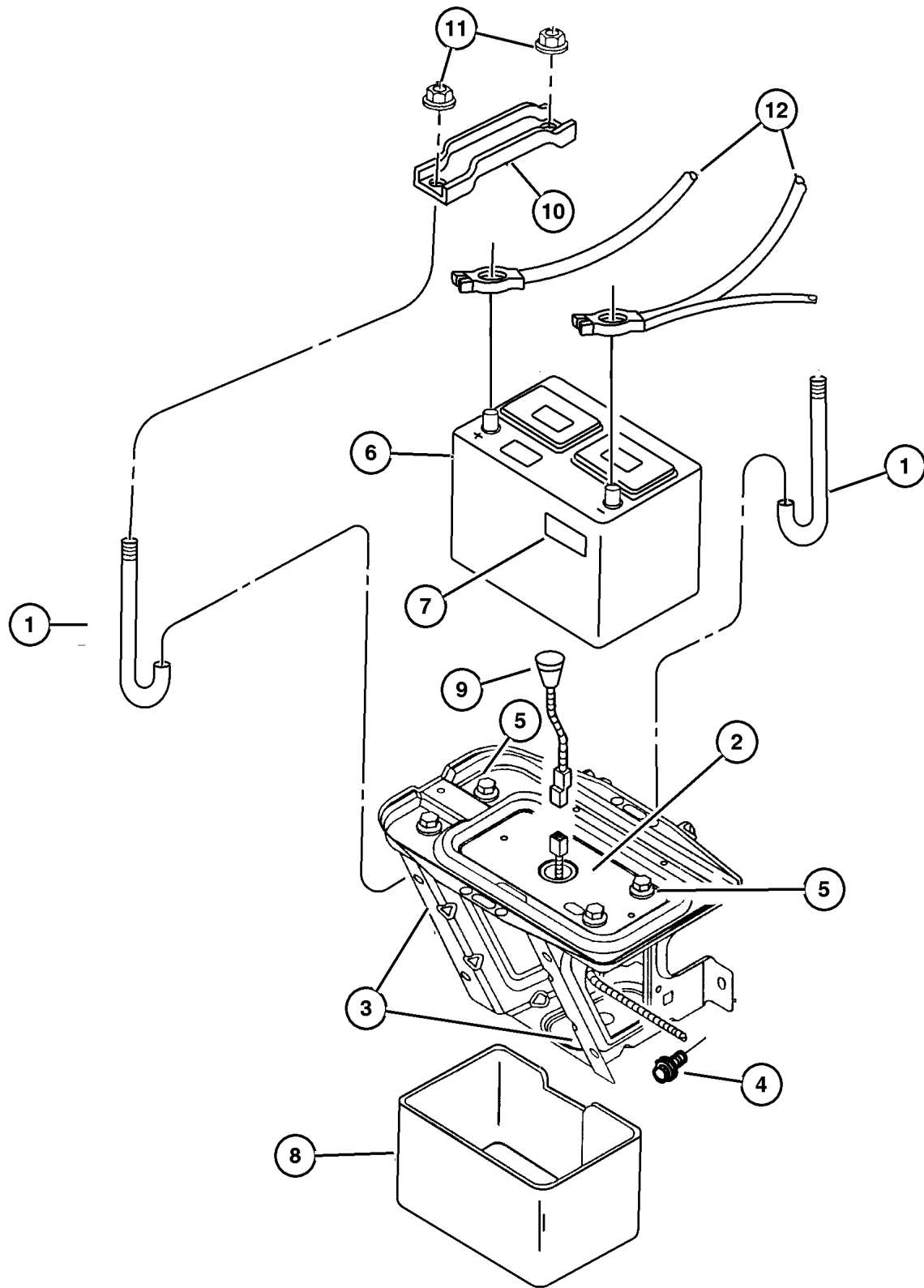
JEEP WRANGLER (TJ)				
SERIES	LINE	BODY	ENGINE	TRANSMISSION
H = Sport	J = Wrangler 4WD	77 = 93.4 WB	EPE, EP0 = 2.5L Power Tech	DGG, DGD = 32RH 3 Spd. Auto.
L = SE	U = Wrangler 4WD (RHD)		ERH, ER0 = 4.0L Power Tech	DDQ = 5 Spd. Manual
M = X				DDD = 5 Speed HD Manual
P = Sahara				DG0 = Auto. Trans.
				DBB = Manual Trans.

AR = Use as required - = Non illustrated part # = New this model year

January 26, 2004

Battery Tray & Cables Figure 008-1005

ITEM	PART NUMBER	QTY	LINE	SERIES	BODY	ENGINE	TRANS	TRIM	DESCRIPTION
Notes:									
[EP0] =2.5L Engine									
[ER0] =4.0L Engine									
1	5502 6434	2							ROD, Battery
2	55174 728AB	1							TRAY, Battery
3									REINFORCEMENT, Battery Tray
	55174 782AC	1							With Air Condition, Right
	55174 783AC	1							With Air Condition, Left
	#5101 980AA	1							Without Air Condition, Right
	#5101 981AA	1							Without Air Condition, Left
4	6100 583	4							BOLT AND CONED WASHER, Hex Head, M8x25x20
5	0180 077	1							BOLT, Hex Head, 5/16x18x3/4
6	4364 944	1				EP0, ER0			BATTERY
7									LABEL, Battery
	4793 062	1				EP0, ER0			Europe
	5604 1046	1	J						French
8	5235 267AB	1				EP0, ER0			COVER, Battery
9	5602 7332	1							SENSOR, Battery Temperature
10	5501 4361	1							BRACKET, Battery Hold Down
11	6025 007	2							NUT AND WASHER, Hex, .312-18
12									WIRING, Battery
	#56044 164AA	1	J			EP0			
	#56044 165AA	1	U			EP0			
	#56044 166AA	1	J			ER0			
	#56044 167AA	1	U			ER0			
-13	55176 426AB	1							PROTECTOR, Wiring
-14	6035 927AA	1				EP0			SCREW, .437-14x.75, Battery Ground to Block
-15	5604 1047	1	J						LABEL, Battery Jump Start



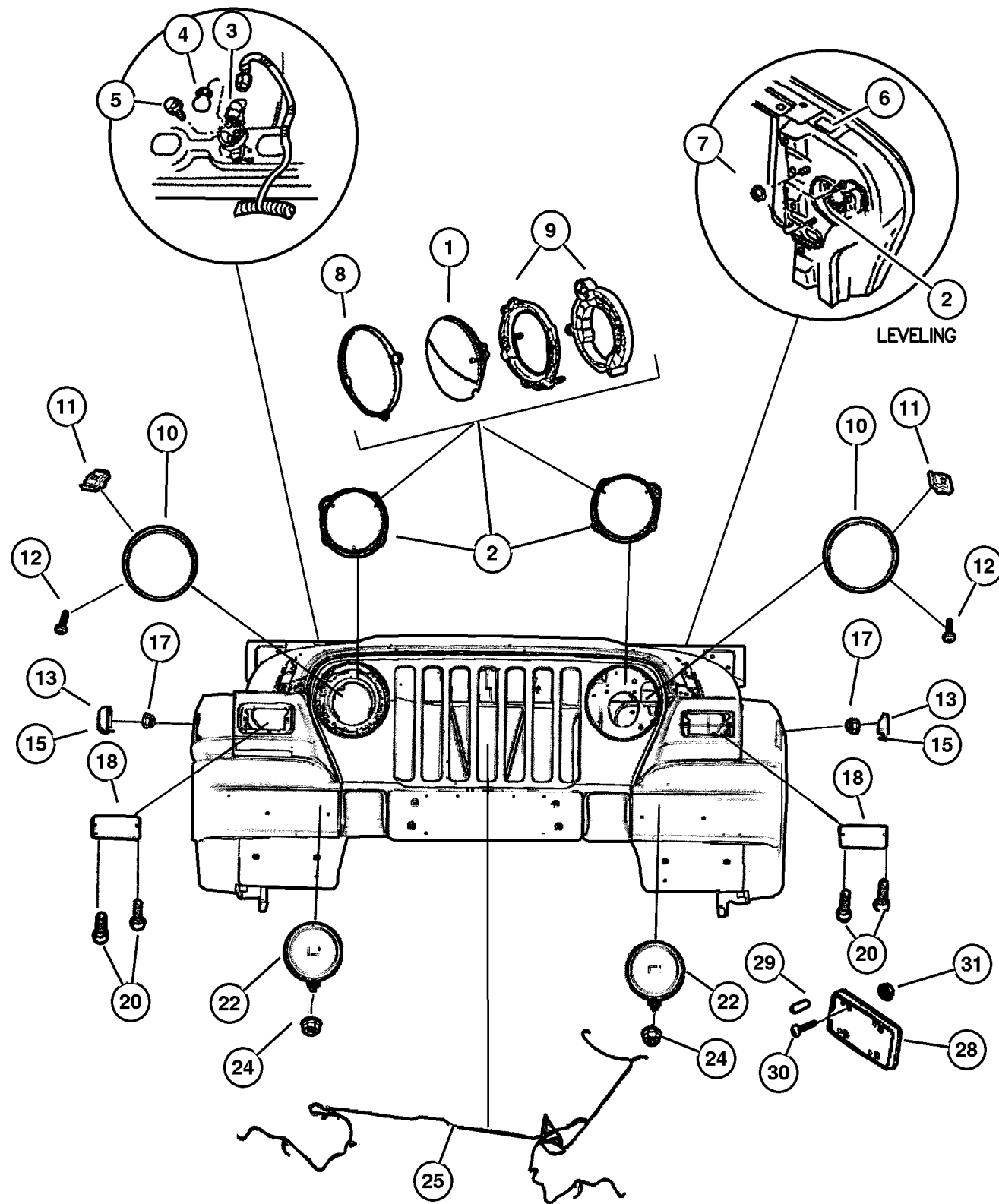
JEEP WRANGLER (TJ)

SERIES	LINE	BODY	ENGINE	TRANSMISSION
H = Sport	J = Wrangler 4WD	77 = 93.4 WB	EPE, EP0 = 2.5L Power Tech	DGG, DGD = 32RH 3 Spd. Auto.
L = SE	U = Wrangler 4WD (RHD)		ERH, ER0 = 4.0L Power Tech	DDQ = 5 Spd. Manual
M = X				DDD = 5 Speed HD Manual
P = Sahara				DG0 = Auto. Trans.
				DBB = Manual Trans.

AR = Use as required - = Non illustrated part # = New this model year

January 26, 2004

Lamps--Front
Figure 008-1105



ITEM	PART NUMBER	QTY	LINE	SERIES	BODY	ENGINE	TRANS	TRIM	DESCRIPTION
Notes:									
	[EP0] = 2.5L Engine								
	[ER0] = 4.0L Engine								
1	0154 905AA	1	J						BULB, H6024BL, For Use with 7' Round Headlamp (Replacement Sealed Beam Bulb)
2	55055 036AD	1	J						HEADLAMP Without Leveling (Europe), Right
	4874 380	1	U						Europe (Qty. 02)
	55055 032AD	1	J						7' Round (Complete Headlamp Assembly), Right
	55055 033AD	1	J						7' Round (Complete Headlamp Assembly), Left
	55055 037AD	1	J						Without Leveling (Europe), Left
	55055 038AD	1	U						Without Leveling (Europe), Right
	55055 039AD	1	U						Without Leveling (Europe), Left
	55055 040AD	1	J						With Leveling (Europe), Right
	55055 041AD	1	J						With Leveling (Europe), Left
	55055 250AD	1	U						With Leveling (Europe), Right
	55055 251AD	1	U						With Leveling (Europe), Left
	4874 379	1	J						Europe (Qty. 02)
3	5602 1441	1							LAMP, Underhood
4	L000 0561	1							BULB, 561, Underhood Lamp
5									SCREW, 0.190-16x.625 , (NOT SERVICED) (Not Serviced)
6	5263 188	1							LABEL, Headlamp Leveling, H/Lamp Leveling System (AUSTRALIA, SOUTH AFRICA, SOUTH KOREA, UNITED KINGDOM, UNITED KINGDOM MARKET PACKAGE)
7	6101 443	6							NUT AND WASHER, Hex, M5x.80
8	4874 378	1	J						RETAINER, Headlamp Bulb
9		1	U						SEAT, Headlamp, Serviced in Item 5 Headlamp, (NOT SERVICED) (Not Serviced)
10	5505 5046	1							BEZEL, Headlamp Chrome, Right
	5505 5047	1							Chrome, Left
11	J400 0141	4							NUT, Square, .286x.355, Right or Left
12	6035 977AA	4							SCREW, Tapping, .164-18x.625

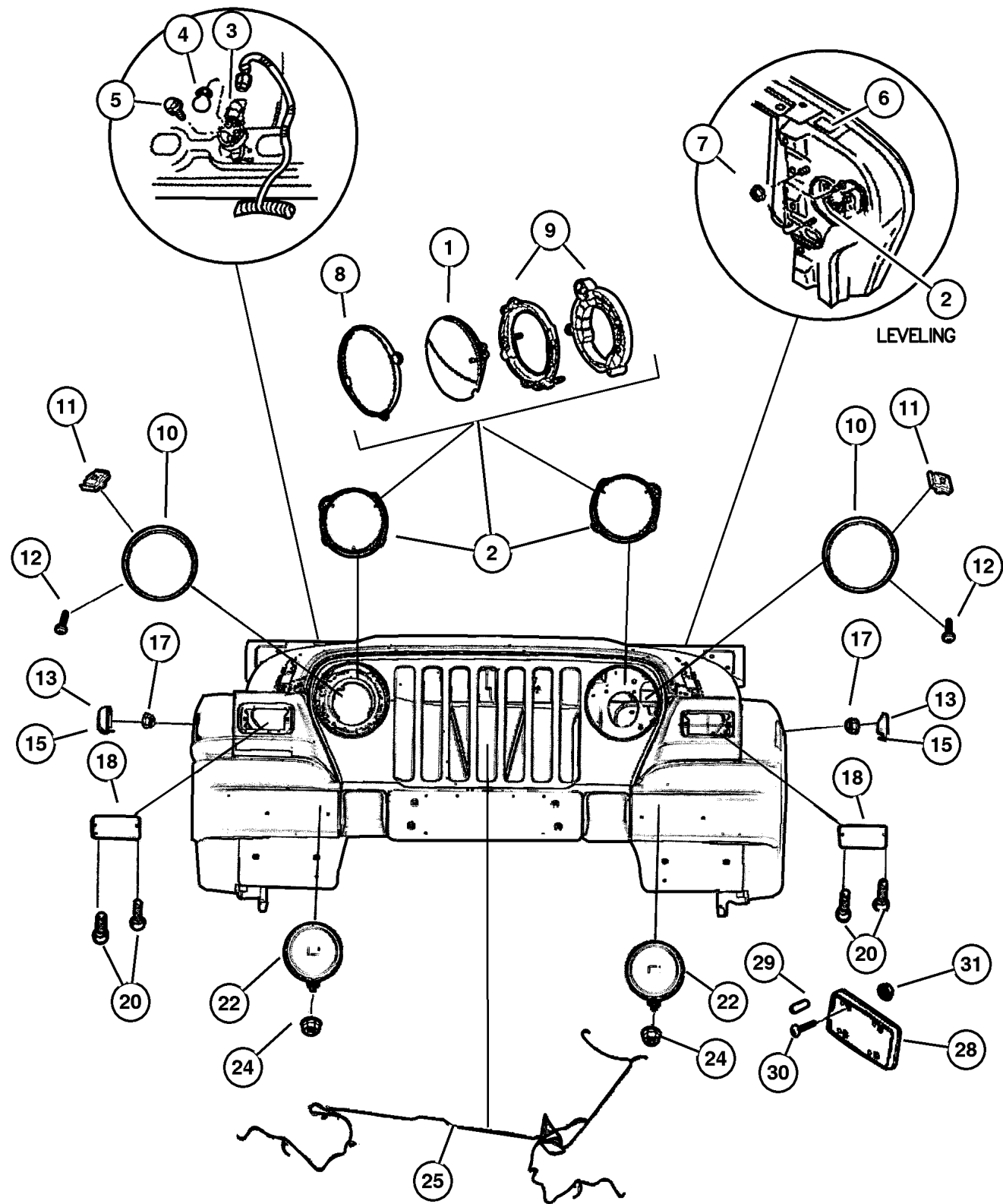
JEEP WRANGLER (TJ)

SERIES	LINE	BODY	ENGINE	TRANSMISSION
H = Sport	J = Wrangler 4WD	77 = 93.4 WB	EPE, EP0 = 2.5L Power Tech	DGG, DGD = 32RH 3 Spd. Auto.
L = SE	U = Wrangler 4WD (RHD)		ERH, ER0 = 4.0L Power Tech	DDQ = 5 Spd. Manual
M = X				DDD = 5 Speed HD Manual
P = Sahara				DG0 = Auto. Trans.
				DBB = Manual Trans.

AR = Use as required - = Non illustrated part # = New this model year

January 26, 2004

Lamps--Front
Figure 008-1105



ITEM	PART NUMBER	QTY	LINE	SERIES	BODY	ENGINE	TRANS	TRIM	DESCRIPTION
13									LAMP, Side Marker
	55155 628AB	1							Right
	55155 629AB	1							Left
-14	5288 612	2							SOCKET, Side Marker
15									LAMP, Side Repeater
	55155 460AB	1							Right
	55155 461AB	1							Left
-16	0153 624	2							BULB, W3W, Side Repeater or Side Marker
17									NUT, (NOT SERVICED) (Not Serviced)
18									LAMP, Park and Turn Signal
	55156 489AB	1							Left
	55156 488AB	1							Right
-19	4399 900	1							SOCKET, Park, Turn, and Side Lamp
20	6035 977AA	4							SCREW, Tapping, .164-18x.625
-21	L000 3157	1							BULB, 3157
22	55055 095AF	2	J						LAMP, Fog
-23	L00H 355W	1	J						BULB, Fog Lamp, H-3 55 WATT
24	6101 445	2	J						NUT AND WASHER, Hex Nut-Coned
									Washer, M8 x 1.25
25									WIRING, Headlamp
	#56047 046AA	1	J			EP0, ER0			Up to 9/04/01, Without Fog Lamps
	#56047 047AA	1	J			EP0, ER0			With Fog Lamps
	#56047 046AC	1	J			EP0, ER0			9/04/01 & After, Without Fog Lamps
	#56047 048AB	1				EP0, ER0			Export
-26	4864 773	1	J						RETAINER, Fog Lamp Bulb
-27	4874 382	1	J						ACTUATOR, Headlamp
28	55155 764AB	1							BRACKET, License Plate, Export
29	6030 441	2	J						PIN, Retainer
30									SCREW, M6X1.00X16.00, (NOT SERVICED) (Not Serviced)
31									NUT, M6x1.00, (NOT SERVICED) (Not Serviced)
-32									CAPSULE, Headlamp Level Connector
	4874 381	1	J						Export

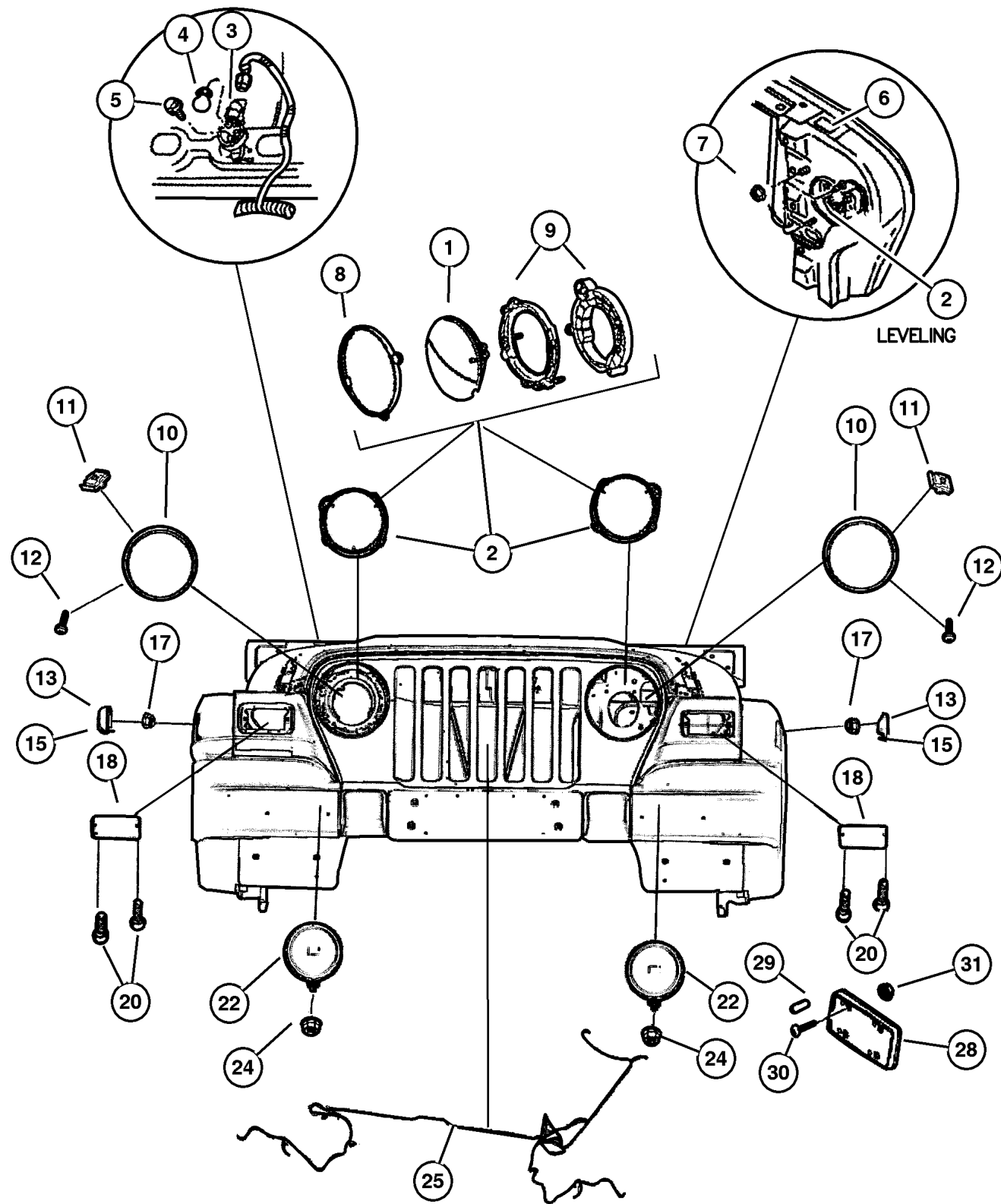
JEEP WRANGLER (TJ)

SERIES	LINE	BODY	ENGINE	TRANSMISSION
H = Sport	J = Wrangler 4WD	77 = 93.4 WB	EPE, EP0 = 2.5L Power Tech	DGG, DGD = 32RH 3 Spd. Auto.
L = SE	U = Wrangler 4WD (RHD)		ERH, ER0 = 4.0L Power Tech	DDQ = 5 Spd. Manual
M = X				DDD = 5 Speed HD Manual
P = Sahara				DG0 = Auto. Trans.
				DBB = Manual Trans.

AR = Use as required - = Non illustrated part # = New this model year

January 26, 2004

Lamps--Front
Figure 008-1105



ITEM	PART NUMBER	QTY	LINE	SERIES	BODY	ENGINE	TRANS	TRIM	DESCRIPTION
------	-------------	-----	------	--------	------	--------	-------	------	-------------

1 U

Export

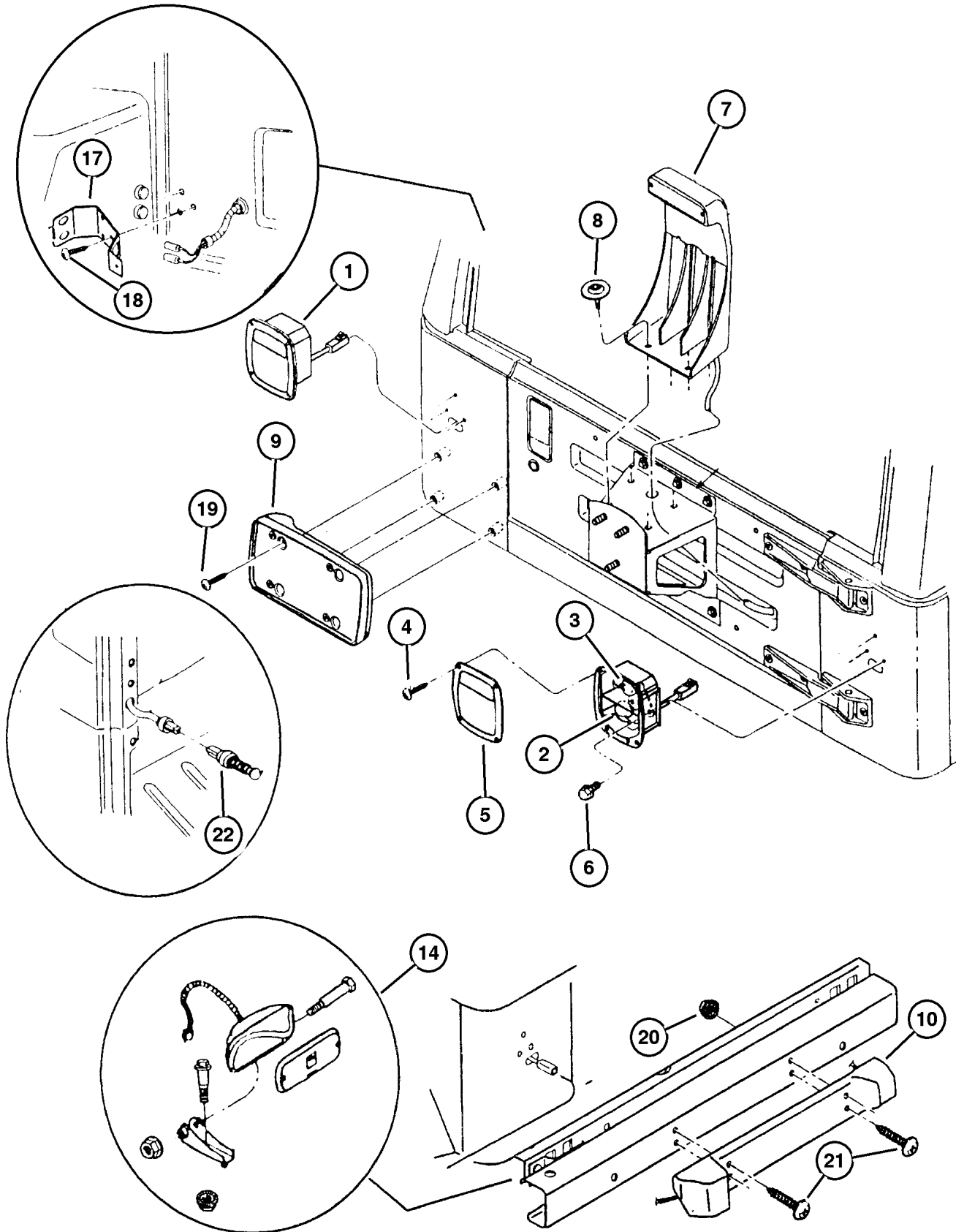
JEEP WRANGLER (TJ)

SERIES	LINE	BODY	ENGINE	TRANSMISSION
H = Sport	J = Wrangler 4WD	77 = 93.4 WB	EPE, EP0 = 2.5L Power Tech	DGG, DGD = 32RH 3 Spd. Auto.
L = SE	U = Wrangler 4WD (RHD)		ERH, ER0 = 4.0L Power Tech	DDQ = 5 Spd. Manual
M = X				DDD = 5 Speed HD Manual
P = Sahara				DG0 = Auto. Trans.
				DBB = Manual Trans.

AR = Use as required - = Non illustrated part # = New this model year

January 26, 2004

Lamps--Rear
Figure 008-1110



ITEM	PART NUMBER	QTY	LINE	SERIES	BODY	ENGINE	TRANS	TRIM	DESCRIPTION
1									LAMP, Tail Stop Turn
	55155 624AC	2							Europe
	56018 648AC	1	J						Right
	56018 649AC	1	J						Left
2	L000 2057	1	J						BULB, 2057
3	L000 1156	1	J						BULB, 1156
4									SCREW, .164-18x.625, (NOT SERVICED) (Not Serviced)
5	4856 459	2							LENS, Taillamp, Europe
6									SCREW/WASHER, (NOT SERVICED) (Not Serviced)
7	55055 280AB	1							LAMP, High Mounted Stop
8									SCREW AND WASHER, Hex Head, .312-18x1.00, (NOT SERVICED) (Not Serviced)
9	5517 4994	1	J	H, L, P					BRACKET, License Plate
10	55175 106AB	1							BRACKET, LICENSE Mounting, Europe
-11	5505 5278	2							LAMP, License
-12	L002 825W5W	2							BULB, W10/5
-13	5515 5619	2							LENS, Ash Receiver Lamp
14	5505 5273	1							LAMP, Fog, Europe (Rear) Red
-15	0153 622	1							BULB, P-25-1
-16	4864 772	1							LENS, Fog Lamp
17	5600 9056	1							CLAMP, Contact Button, CHMSL
									Contact Button
18	0154 631	3							SCREW, Pan Head, .190-16x.5
19									SCREW, M6x1x20, (NOT SERVICED) (Not Serviced)
20									NUT, M6x1.00, (NOT SERVICED) (Not Serviced)
21									SCREW, M6X1.00X16.00, (NOT SERVICED) (Not Serviced)
22	4687 558	2							SWITCH, Door Ajar

JEEP WRANGLER (TJ)

SERIES
H = Sport
L = SE
M = X
P = Sahara

LINE
J = Wrangler 4WD
U = Wrangler 4WD (RHD)

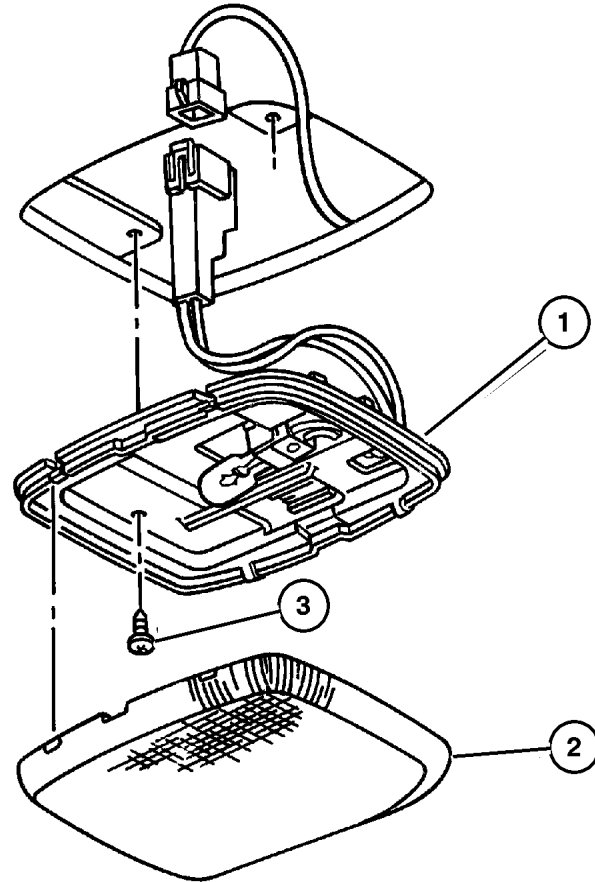
BODY
77 = 93.4 WB

ENGINE
EPE, EP0 = 2.5L Power Tech
ERH, ER0 = 4.0L Power Tech

TRANSMISSION
DGG, DGD = 32RH 3 Spd. Auto.
DDQ = 5 Spd. Manual
DDD = 5 Speed HD Manual
DG0 = Auto. Trans.
DBB = Manual Trans.

Lamps--Cargo-Dome-Courtesy
Figure 008-1115

ITEM	PART NUMBER	QTY	LINE	SERIES	BODY	ENGINE	TRANS	TRIM	DESCRIPTION
1	5600 7264	1							BEZEL, Dome Lamp
2	5600 7265	1							LENS, Dome Lamp
3									SCREW, (NOT SERVICED) (Not Serviced)
-4	5600 7265	1							LENS, Dome Lamp
-5	56042 559AA	1							LAMP, Courtesy, Lower Left I/Panel (Housing, Lens & Bulb Included)
-6	5602 1441	1							LAMP, Underhood
-7	4897 446AA	1							LENS, Lamp Module



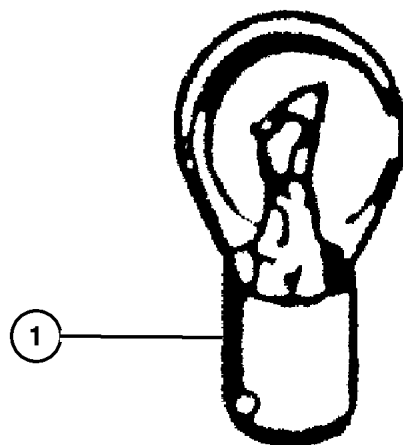
JEEP WRANGLER (TJ)			
SERIES	LINE	BODY	ENGINE
H = Sport	J = Wrangler 4WD	77 = 93.4 WB	EPE, EP0 = 2.5L Power Tech
L = SE	U = Wrangler 4WD (RHD)		ERH, ER0 = 4.0L Power Tech
M = X			
P = Sahara			
			TRANSMISSION
			DGG, DGD = 32RH 3 Spd. Auto.
			DDQ = 5 Spd. Manual
			DDD = 5 Speed HD Manual
			DG0 = Auto. Trans.
			DBB = Manual Trans.

AR = Use as required - = Non illustrated part # = New this model year

January 26, 2004

Bulbs & Sockets
Figure 008-1120

ITEM	PART NUMBER	QTY	LINE	SERIES	BODY	ENGINE	TRANS	TRIM	DESCRIPTION
Notes:									
[DG0] = All Automatic Transmission									
1	L00H 460W	1	U						BULB, Headlamp Halogen [ECE]
		1	J						Halogen [ECE]
-2	L000 921E	1							BULB, 921, High Mounted Stop Lamp
-3	L000 3157	1							BULB, 3157
-4	L000 0658	1					DG0		BULB, 658, PRNDL Cover
-5	4874 349	1							BULB AND SOCKET
-6	5013 829AA	1	U						BULB, Heater and A/C Control
-7	L000 0194	1	J						BULB, 194
-8	L000 0906	1							BULB, 906
-9	L000 7528	2							BULB, P-25-2
-10	L000 3893	1	J						BULB, T8/4
		1	U						

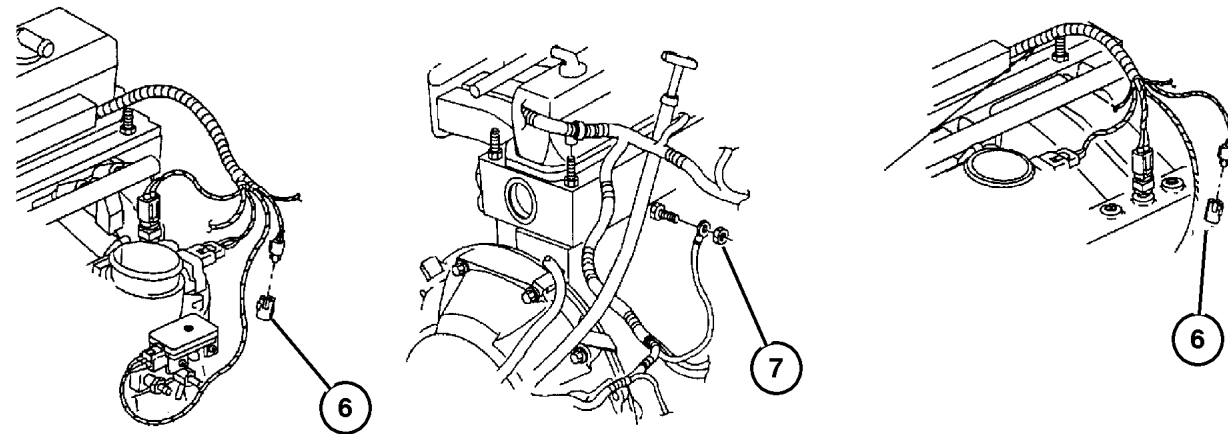
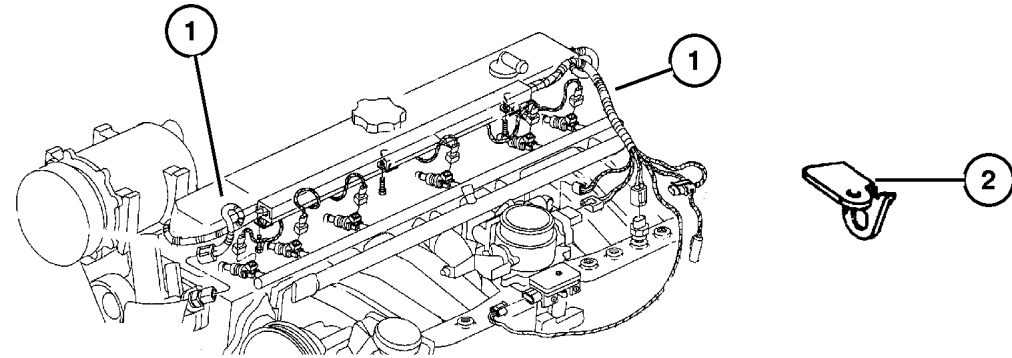


JEEP WRANGLER (TJ)				
SERIES	LINE	BODY	ENGINE	TRANSMISSION
H = Sport	J = Wrangler 4WD	77 = 93.4 WB	EPE, EP0 = 2.5L Power Tech	DGG, DGD = 32RH 3 Spd. Auto.
L = SE	U = Wrangler 4WD (RHD)		ERH, ER0 = 4.0L Power Tech	DDQ = 5 Spd. Manual
M = X				DDD = 5 Speed HD Manual
P = Sahara				DG0 = Auto. Trans.
				DBB = Manual Trans.

AR = Use as required - = Non illustrated part # = New this model year

January 26, 2004

**Wiring--Engine & Related Parts
Figure 008-1205**



ITEM	PART NUMBER	QTY	LINE	SERIES	BODY	ENGINE	TRANS	TRIM	DESCRIPTION
Notes:									
[EP0] =2.5L Engine									
[ER0] =4.0L Engine									
[DG0]=Automatic Transmission									
[DBB]= Manual Transmission									
1									WIRING, Engine
	#56041 441AH	1	U			EP0			
	#56041 444AH	1	J			EP0			
	#56041 916AC	1	J			ER0			U.S. 50 State Emissions without ABS
	#56041 917AD	1	J			ER0			Export Emissions without ABS
	#56041 918AC	1	J			ER0			U.S. 50 State Emissions with ABS
	#56041 919AD	1	J			ER0			Export Emissions with ABS
	#56041 920AG	1	U			ER0			Export Emissions without ABS & without Japan Low Emissions Vehicle
	#56041 928AE	1	U			ER0			Export Emission with Japan Low Emissions Vehicle
2									CLIP
	5300 8550	1				ER0			
		1				EP0			
-3									STRAP, Tie
	4641 780	1				EP0			Oxygen Sensor Wiring
	6015 756	3				EP0, ER0			Block Heater Wiring
-4									WIRING, Transmission Jumper
	#56044 301AA	1					DBB		
	#56044 900AA	1					DG0		
-5	5600 9433	2							CAP, Screw Cover
6									PLUG, Oxygen Sensor, (NOT REQUIRED)
7									NUT AND WASHER, .312-18, (NOT SERVICED) (Not Serviced)
-8	55176 744AC	1							BRACKET, Engine Wiring

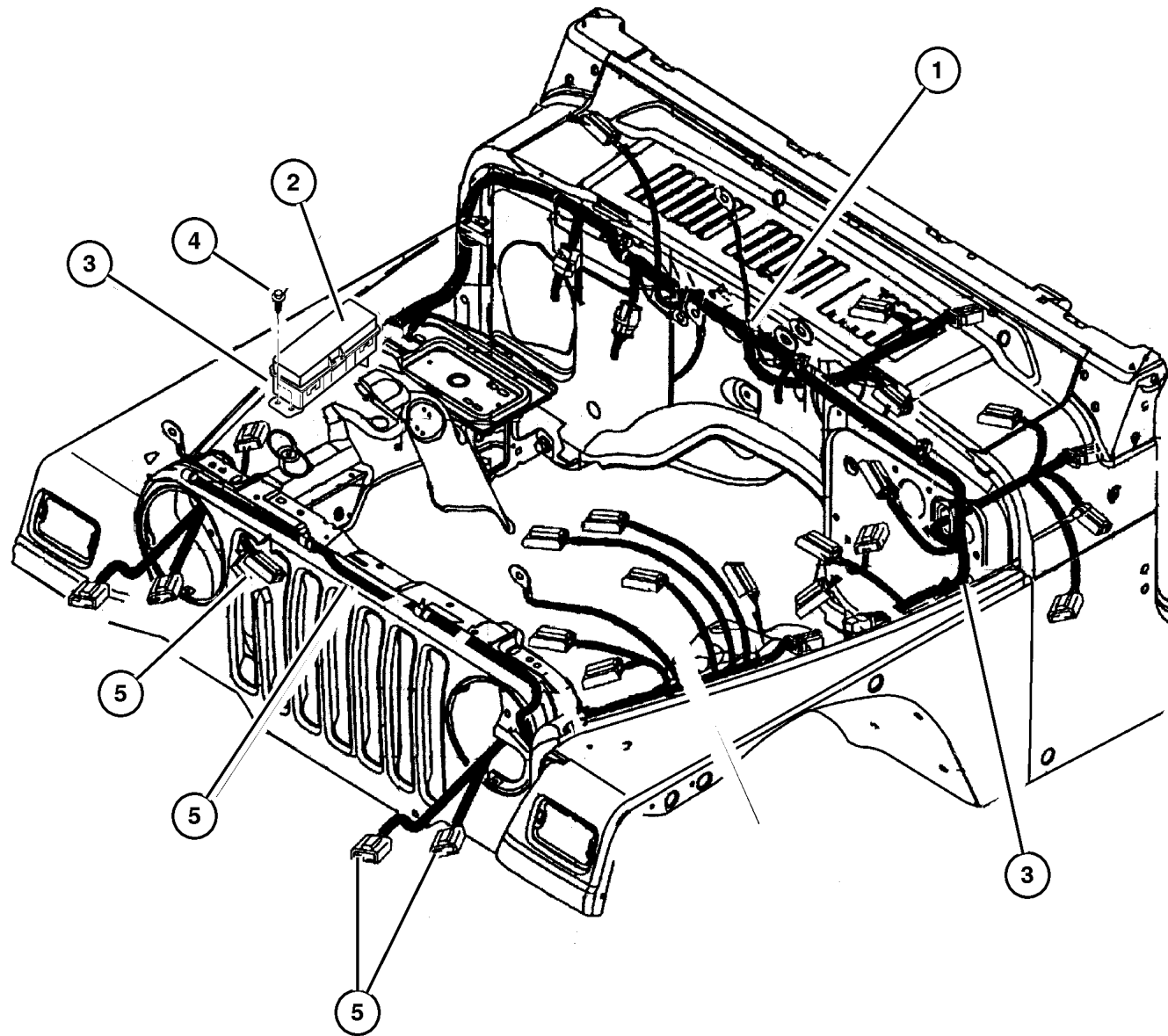
JEEP WRANGLER (TJ)

SERIES	LINE	BODY	ENGINE	TRANSMISSION
H = Sport	J = Wrangler 4WD	77 = 93.4 WB	EPE, EP0 = 2.5L Power Tech	DGG, DGD = 32RH 3 Spd. Auto.
L = SE	U = Wrangler 4WD (RHD)		ERH, ER0 = 4.0L Power Tech	DDQ = 5 Spd. Manual
M = X				DDD = 5 Speed HD Manual
P = Sahara				DG0 = Auto. Trans.
				DBB = Manual Trans.

AR = Use as required - = Non illustrated part # = New this model year

January 26, 2004

Wiring--Headlamp / Dash Panel
Figure 008-1305



ITEM	PART NUMBER	QTY	LINE	SERIES	BODY	ENGINE	TRANS	TRIM	DESCRIPTION
Notes:									
EPO=2.5L Engine									
ER0=4.0L Engine									
1									WIRING, Dash Panel
	#56047 040AB	1	J			EP0, ER0			U.S. 50 State/Export Emissions, without ABS, Speed Control & without Daytime Running Lamp after 07/25/01
	#56047 043AA	1	J			EP0, ER0			Without ABS & with Daytime Running Lamp up to 07/25/01
	#56047 044AA	1	J			ER0			With ABS & with Daytime Running Lamp up to 07/25/01
	#56047 045AA	1	U			EP0, ER0			Base up to 07/25/01
	#56047 041AB	1	J			ER0			U.S. 50 State/Export Emissions, with ABS, Speed Control & without Daytime Running Lamp after 07/25/01
	#56047 042AB	1	J			EP0, ER0			U.S. 50 State/Export Emissions, without ABS, Daytime Running Lamp & with Speed Control after 07/25/01
	#56047 043AB	1	J			EP0, ER0			Without ABS & with Daytime Running Lamp after 07/25/01
	#56047 044AB	1	J			ER0			With ABS & with Daytime Running Lamp after 07/25/01
	#56047 045AB	1	U			EP0, ER0			Base after 07/25/01
	#56047 040AA	1	J			EP0, ER0			U.S. 50 State/Export Emissions, without ABS, Speed Control & without Daytime Running Lamp up to 7/25/01
	#56047 041AA	1	J			ER0			U.S. 50 State/Export Emissions, with ABS, Speed Control & without Daytime Running Lamp up to 07/25/01
	#56047 042AA	1	J			EP0, ER0			U.S. 50 State/Export Emissions, without ABS, Daytime Running Lamp & with Speed Control up to 07/25/01
2									COVER, Power Distribution Center
	5072 293AA	1							Top
	56047 000AA	1							Bottom

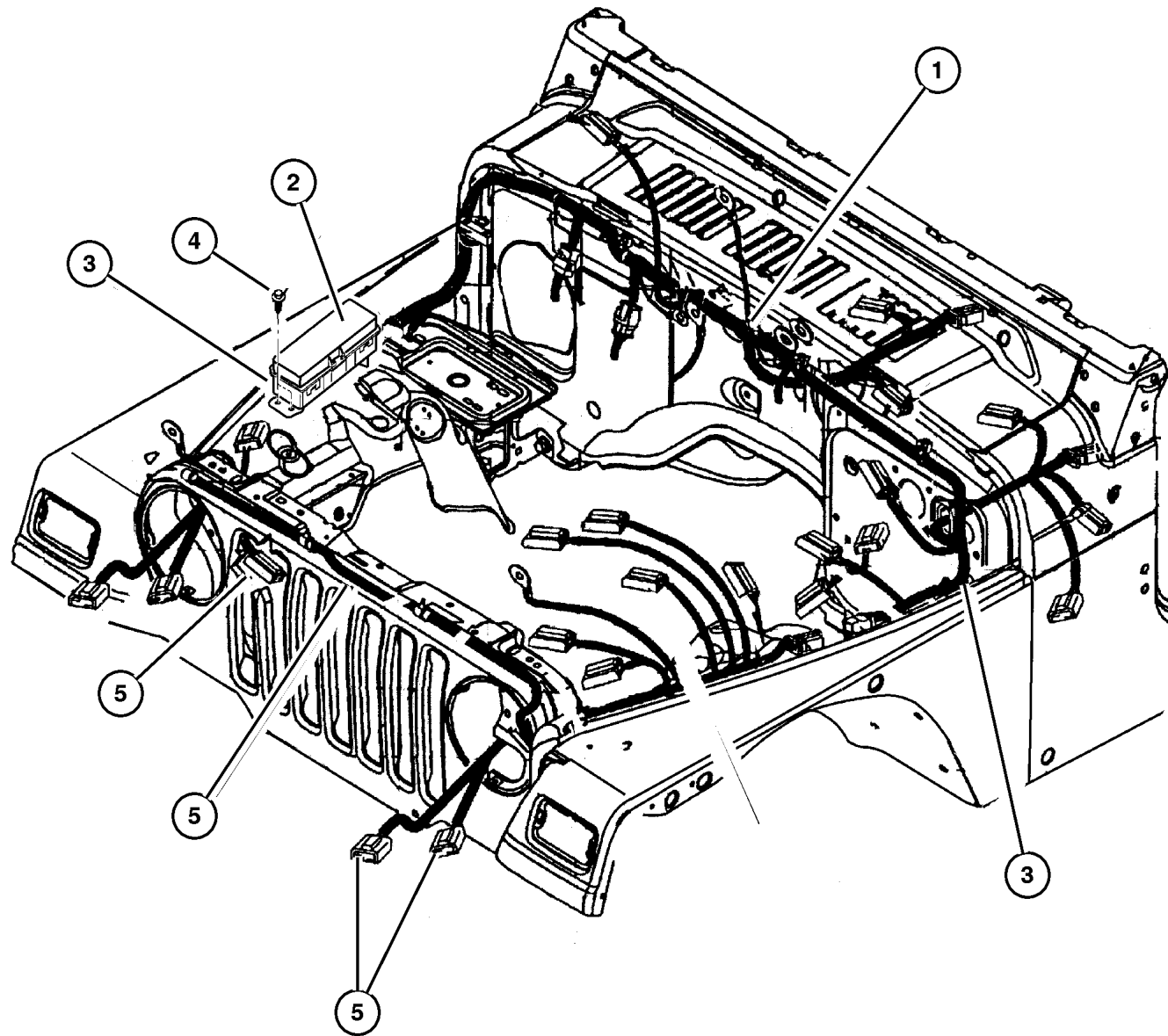
JEEP WRANGLER (TJ)

SERIES	LINE	BODY	ENGINE	TRANSMISSION
H = Sport	J = Wrangler 4WD	77 = 93.4 WB	EPE, EP0 = 2.5L Power Tech	DGG, DGD = 32RH 3 Spd. Auto.
L = SE	U = Wrangler 4WD (RHD)		ERH, ER0 = 4.0L Power Tech	DDQ = 5 Spd. Manual
M = X				DDD = 5 Speed HD Manual
P = Sahara				DG0 = Auto. Trans.
				DBB = Manual Trans.

AR = Use as required - = Non illustrated part # = New this model year

January 26, 2004

Wiring--Headlamp / Dash Panel
Figure 008-1305



ITEM	PART NUMBER	QTY	LINE	SERIES	BODY	ENGINE	TRANS	TRIM	DESCRIPTION
3	56010 210AA	1							BRACKET, Power Distribution Center
4									SCREW, M6.3x1.81x20, Tapping (M6.3x1.81x20.00) Not Serv., (NOT SERVICED) (Not Serviced)
5									WIRING, Headlamp
	#56047 046AA	1	J			EP0, ER0			Up to 9/04/01, Without Fog Lamps
	#56047 047AA	1	J			EP0, ER0			With Foglamp
	#56047 046AC	1	J			EP0, ER0			9/04/01 & After, Without Fog Lamps
	#56047 048AC	1				EP0, ER0			Europe
-6									BRACKET, Wiring Harness
	56009 901AA	1	U						Battery & Engine
	56019 684AB	1	U						Side Cowl
	56019 685AB	1	J						Side Cowl

JEEP WRANGLER (TJ)

SERIES	LINE	BODY	ENGINE	TRANSMISSION
H = Sport	J = Wrangler 4WD	77 = 93.4 WB	EPE, EP0 = 2.5L Power Tech	DGG, DGD = 32RH 3 Spd. Auto.
L = SE	U = Wrangler 4WD (RHD)		ERH, ER0 = 4.0L Power Tech	DDQ = 5 Spd. Manual
M = X				DDD = 5 Speed HD Manual
P = Sahara				DG0 = Auto. Trans.
				DBB = Manual Trans.

AR = Use as required - = Non illustrated part # = New this model year

January 26, 2004

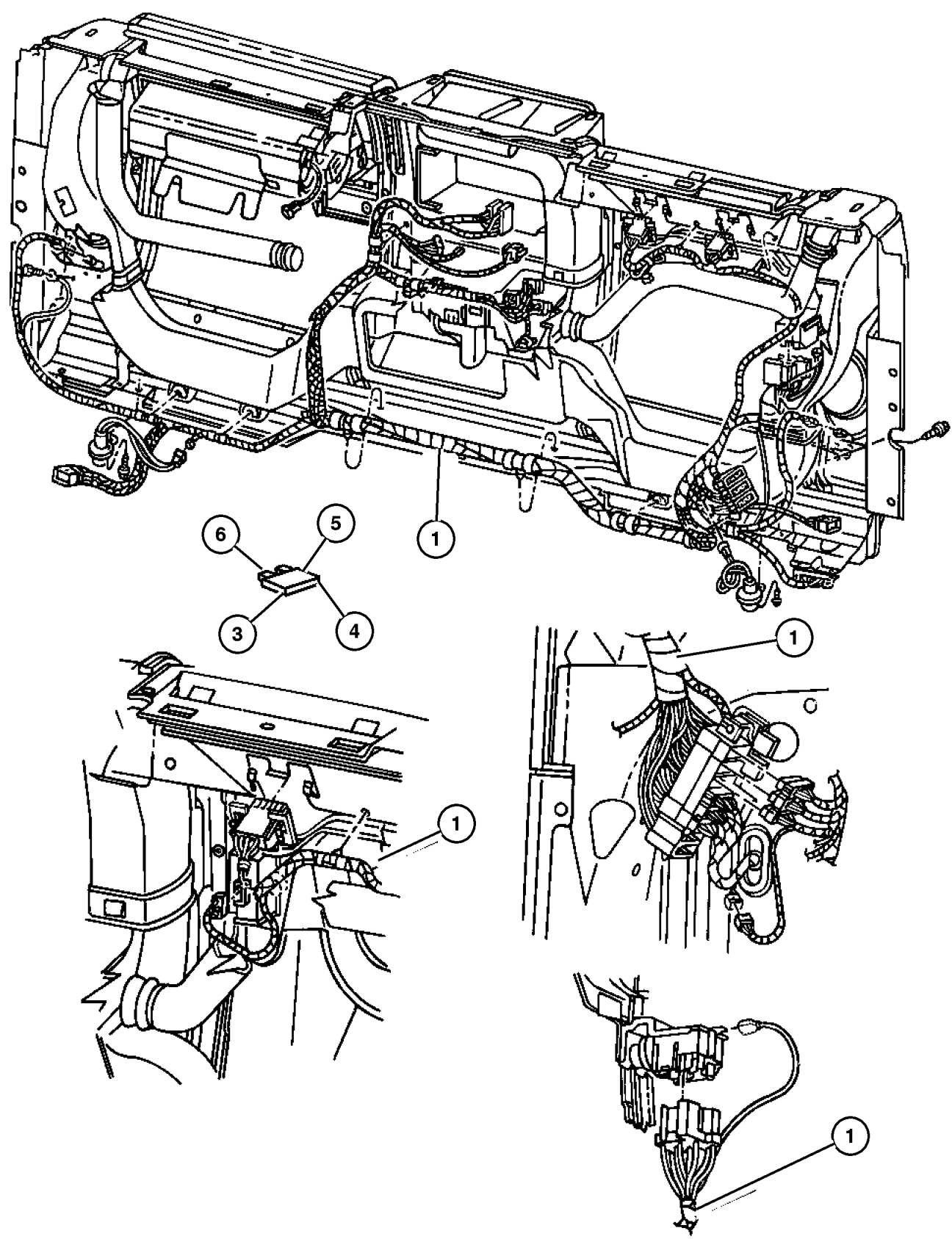
Wiring Instrument Panel & Fuses Figure 008-1405

ITEM	PART NUMBER	QTY	LINE	SERIES	BODY	ENGINE	TRANS	TRIM	DESCRIPTION
------	-------------	-----	------	--------	------	--------	-------	------	-------------

Notes:

[DG0]=All Automatic Transmissions

1									WIRING, Instrument Panel
	#56047 049AA	1	J						With Soft Top
	#56047 050AA	1	J						With Hard Top
	#56047 051AB	1	J						Europe
	#56047 052AA	1	U						Europe
-2	#56009 391AK	1							LABEL, Fuse Block
3	6102 077AA	1							FUSE CARTRIDGE, 40 Amp
4	00AT M10	2							FUSE, Mini, 10 AMP, Red
5	00AT M20	1					DG0		FUSE, Mini, 20 AMP, Yellow
6	6102 077AA	1							FUSE CARTRIDGE, 40 Amp
-7	4607 084AB	1							FLASHER
-8	56009 654AB	1							COVER, Wiring Protector



JEEP WRANGLER (TJ)			
SERIES	LINE	BODY	TRANSMISSION
H = Sport	J = Wrangler 4WD	77 = 93.4 WB	DGG, DGD = 32RH 3 Spd. Auto.
L = SE	U = Wrangler 4WD (RHD)		DDQ = 5 Spd. Manual
M = X			DDD = 5 Speed HD Manual
P = Sahara			DG0 = Auto. Trans.
			DBB = Manual Trans.

AR = Use as required - = Non illustrated part # = New this model year

January 26, 2004

Wiring--Body & Accessory
Figure 008-1505

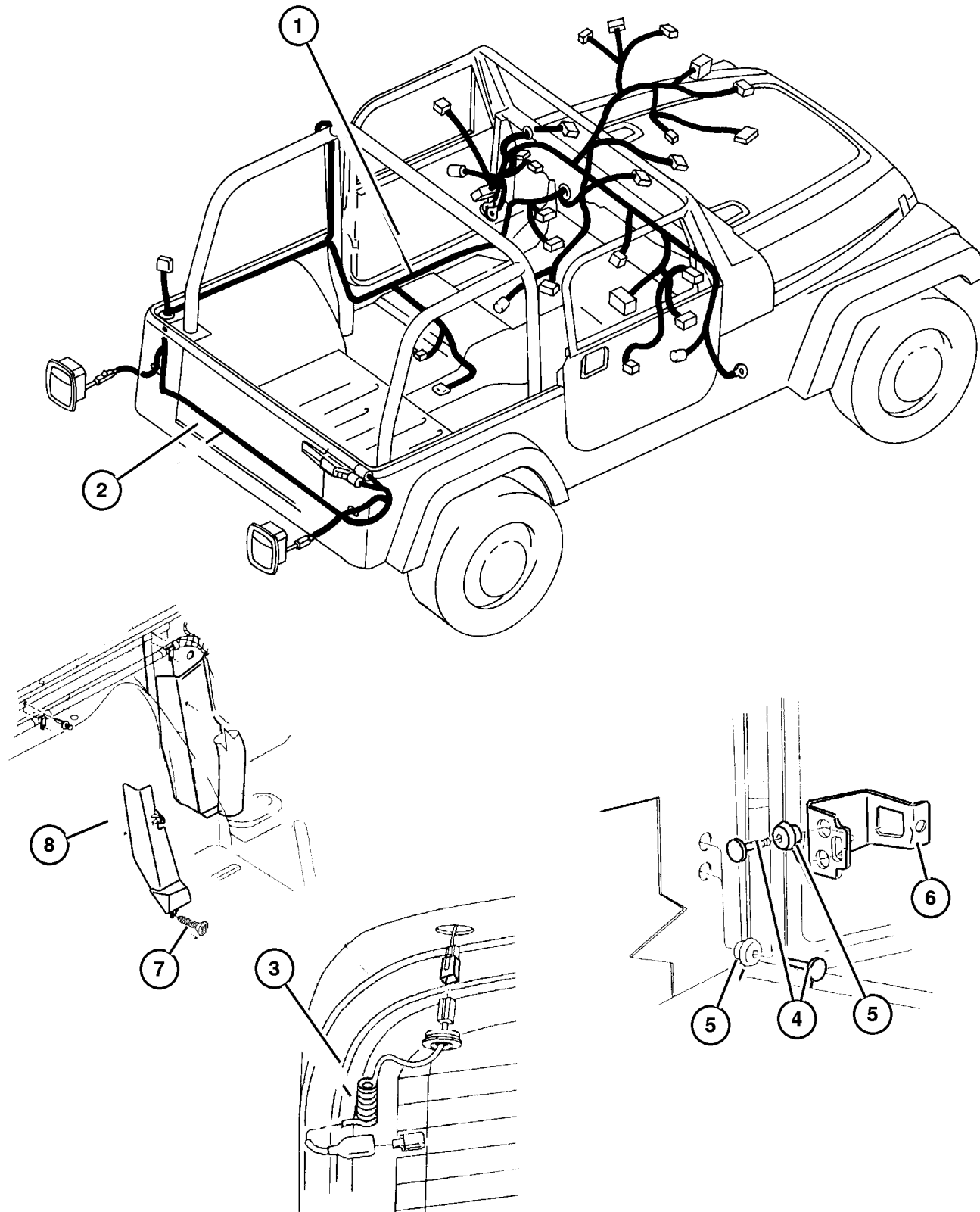
ITEM	PART NUMBER	QTY	LINE	SERIES	BODY	ENGINE	TRANS	TRIM	DESCRIPTION
Notes:									
[EP0]=2.5L Engine									
[ER0]=4.0L Engine									
1									WIRING, Crossbody
	#56047 053AC	1	J						Without 7 Speakers (Including Subwoofer)
	#56047 054AC	1	U						Without 7 Speakers (Including Subwoofer)
	#56047 055AD	1	J						With 7 Speakers (Including Subwoofer)
	#56047 056AC	1	U						With 7 Speakers (Including Subwoofer)
2									WIRING, Rear Body
	#56047 057AA	1	U						With Hard Top (Europe)
	#56047 058AA	1	U						With Soft Top (Europe)
	#56047 059AA	1	J						With Hard Top (Europe)
	#56047 060AA	1	J						With Soft Top (Europe)
	#56047 062AA	1							With Soft Top & without Radio U.S. A./Mexico/Canada
	#56047 063AA	1	J						With Soft Top, With 7 Speakers (Including Subwoofer) or with 4 Speakers & Soundbar (U.S.A./Mexico/Canada)
	#56047 061AB	1	J						With Hard Top, With 7 Speakers (Including Subwoofer) U.S.A./Mexico/Canada U.S.A./Mexico/Canada
3	56009 120AC	2							WIRING, Electric Back Light
4	4362 012	4							TERMINAL, CHMSL Contact Button
5	6031 562	2							GROMMET, Sliding Door
6	56009 901AA	1	U						BRACKET, Wiring Harness, Battery & Engine
7	0154 552	2							SCREW, Hex Head, .190-16x.625
8	55217 194AB	1							COVER, Wiring Protector
-9	55352 706AA	1							COVER, Wiring Protector
-10	5600 9085	1							WIRING, Rear Bumper
-11	56009 377AC	1							WIRING, Hardtop
-12	4874 085	1	U						WIRING, Air Conditioning Module
-13	56009 924AB	1	J			EP0, ER0			WIRING, Leak Detection Pump Jumper
-14	56009 896AA	1							WIRING, Soundbar Adapter
-15	#56009 939AB	1							WIRING, Jumper
-16	56009 333AB	3							CLIP, Wire Attaching (Clip)

JEEP WRANGLER (TJ)

SERIES	LINE	BODY	ENGINE	TRANSMISSION
H = Sport	J = Wrangler 4WD	77 = 93.4 WB	EPE, EP0 = 2.5L Power Tech	DGG, DGD = 32RH 3 Spd. Auto.
L = SE	U = Wrangler 4WD (RHD)		ERH, ER0 = 4.0L Power Tech	DDQ = 5 Spd. Manual
M = X				DDD = 5 Speed HD Manual
P = Sahara				DG0 = Auto. Trans.
				DBB = Manual Trans.

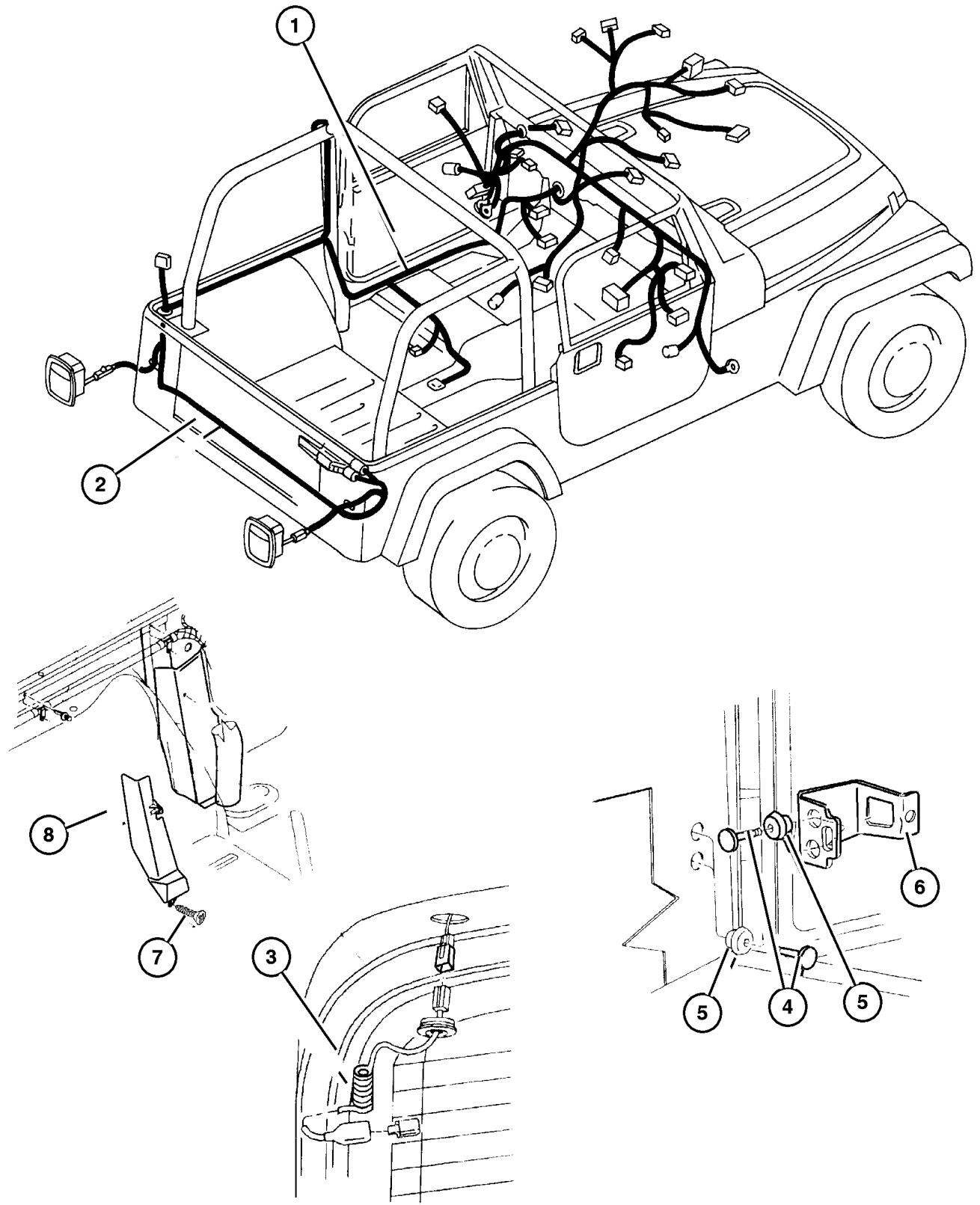
AR = Use as required - = Non illustrated part # = New this model year

January 26, 2004



Wiring--Body & Accessory
Figure 008-1505

ITEM	PART NUMBER	QTY	LINE	SERIES	BODY	ENGINE	TRANS	TRIM	DESCRIPTION
-17	56009 338AB	3							RIVET



JEEP WRANGLER (TJ)				
SERIES	LINE	BODY	ENGINE	TRANSMISSION
H = Sport	J = Wrangler 4WD	77 = 93.4 WB	EPE, EP0 = 2.5L Power Tech	DGG, DGD = 32RH 3 Spd. Auto.
L = SE	U = Wrangler 4WD (RHD)		ERH, ER0 = 4.0L Power Tech	DDQ = 5 Spd. Manual
M = X				DDD = 5 Speed HD Manual
P = Sahara				DG0 = Auto. Trans.
				DBB = Manual Trans.

AR = Use as required - = Non illustrated part # = New this model year

January 26, 2004

**Wiring Repair Packages
Figure 008-1605**

ITEM	PART NUMBER	QTY	LINE	SERIES	BODY	ENGINE	TRANS	TRIM	DESCRIPTION
-1	5013 930AD	1							WIRING PACKAGE, Underhood Connector Repair, For Electrical Connector Repair Information visit the World Wide Web at http://dto.vftis.com/mopar/disclaimer.asp
-2	56041 889AA	1				ER0			CAPACITOR, Ignition
-3	4641 780	1				EPO			STRAP, Tie Oxygen sensor wiring
	4856 502	1							Black nylon 11 1/2' long
	6016 155	1	J	H, L, P	77				
-4	5600 7554	4							TERMINAL, Female, License lamp

For Electrical Connector Repair Information visit
the World Wide Web at

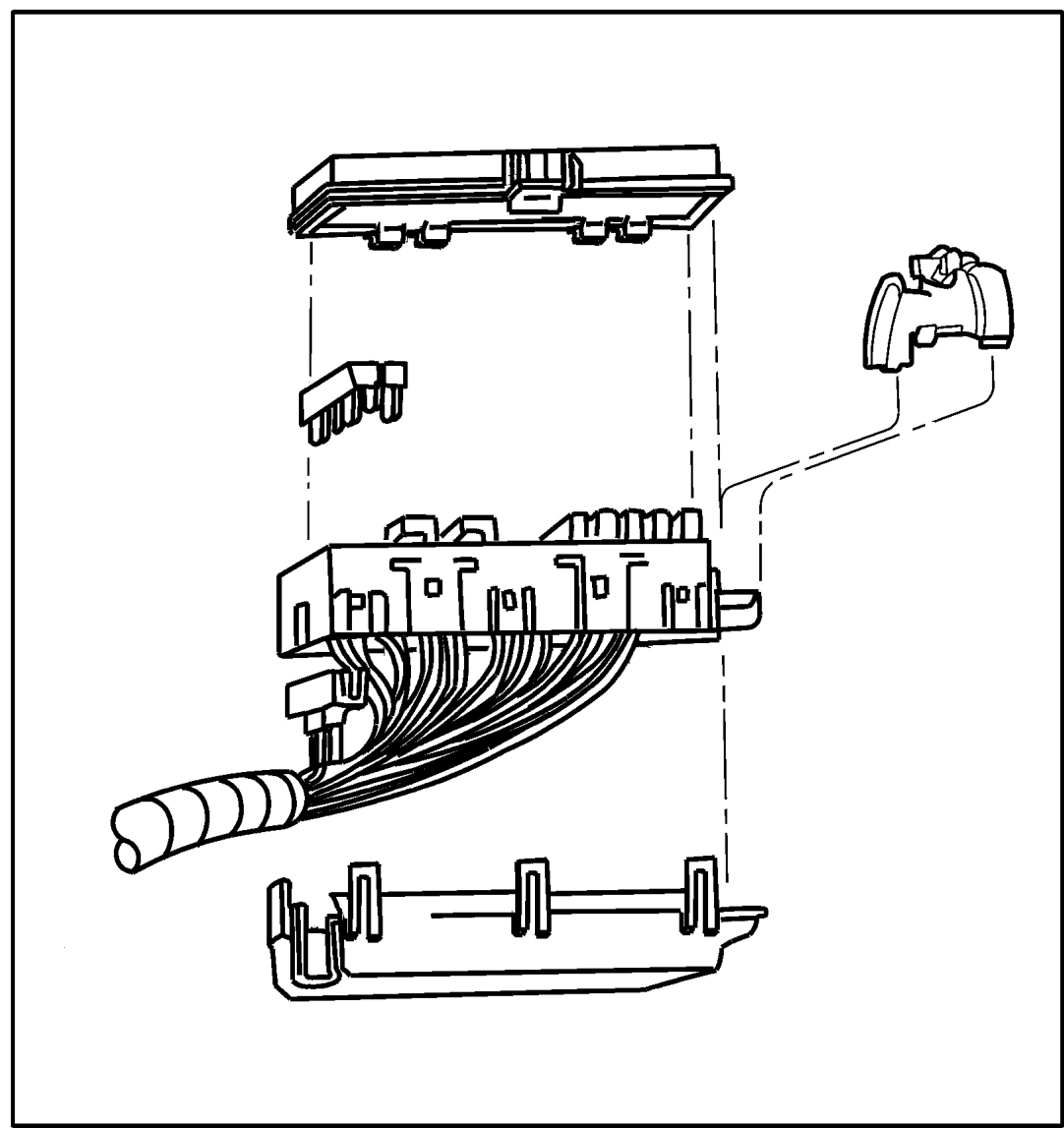
<http://dto.vftis.com/mopar/disclaimer.asp>

JEEP WRANGLER (TJ)

SERIES	LINE	BODY	ENGINE	TRANSMISSION
H = Sport	J = Wrangler 4WD	77 = 93.4 WB	EPE, EP0 = 2.5L Power Tech	DGG, DGD = 32RH 3 Spd. Auto.
L = SE	U = Wrangler 4WD (RHD)		ERH, ER0 = 4.0L Power Tech	DDQ = 5 Spd. Manual
M = X				DDD = 5 Speed HD Manual
P = Sahara				DG0 = Auto. Trans.
				DBB = Manual Trans.

**Power Distribution Center Repair
Figure 008-1610**

ITEM	PART NUMBER	QTY	LINE	SERIES	BODY	ENGINE	TRANS	TRIM	DESCRIPTION
1	5014 460AB	1							REPAIR KIT, Power Distribution Center
-2	#5073 653AA	1							REPAIR KIT, HARNESS, PDC Repair Kit



1

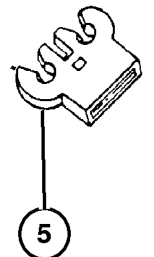
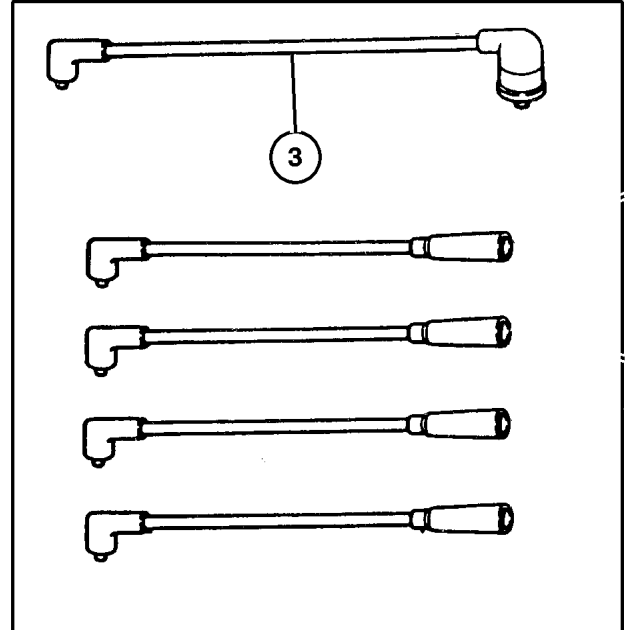
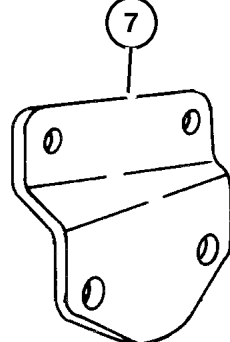
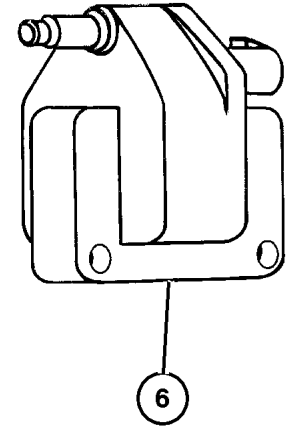
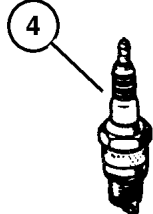
JEEP WRANGLER (TJ)			
SERIES	LINE	BODY	ENGINE
H = Sport	J = Wrangler 4WD	77 = 93.4 WB	EPE, EP0 = 2.5L Power Tech
L = SE	U = Wrangler 4WD (RHD)		ERH, ER0 = 4.0L Power Tech
M = X			
P = Sahara			
			TRANSMISSION
			DGG, DGD = 32RH 3 Spd. Auto.
			DDQ = 5 Spd. Manual
			DDD = 5 Speed HD Manual
			DG0 = Auto. Trans.
			DBB = Manual Trans.

AR = Use as required - = Non illustrated part # = New this model year

January 26, 2004

Spark Plugs--Cables--Coil Figure 008-1905

ITEM	PART NUMBER	QTY	LINE	SERIES	BODY	ENGINE	TRANS	TRIM	DESCRIPTION
Notes:									
[EP0]=2.5L Engine									
[ER0]=4.0L Engine									
-1	5017 058AA	1				EP0			CABLE, Ignition, With Seperator
2									CABLE, Ignition
	56041 852AA	1				EP0			[#3]
	56041 853AA	1				EP0			[#4]
	56041 854AA	1				EP0			[#2]
	56041 855AA	1				EP0			[#1]
3	56041 851AA	1				EP0			CABLE, Ignition Coil
4									SPARK PLUG
	SP00 0ZFR5N	4				EP0			
		6				ER0			
5	5300 6579	1				EP0			SEPERATOR, Ignition Cable
6									COIL, Ignition
	56028 172AB	1				EP0			
	56041 476AA	1				ER0			
7	5300 8702	1				EP0			BRACKET, Ignition Coil
-8	6102 146AA	4				ER0			SCREW AND WASHER, Ignition Coil
									Mounting
-9	56041 889AA	1				ER0			CAPACITOR, Ignition



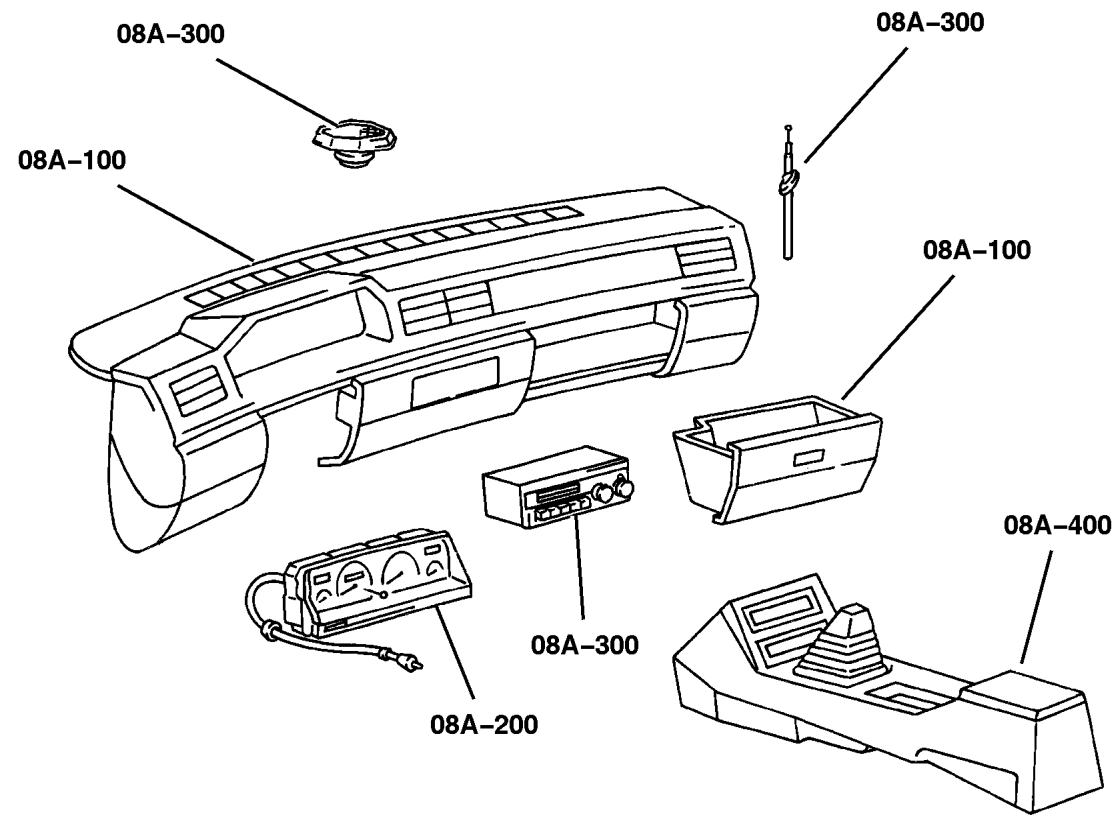
JEEP WRANGLER (TJ)

SERIES	LINE	BODY	ENGINE	TRANSMISSION
H = Sport	J = Wrangler 4WD	77 = 93.4 WB	EPE, EP0 = 2.5L Power Tech	DGG, DGD = 32RH 3 Spd. Auto.
L = SE	U = Wrangler 4WD (RHD)		ERH, ER0 = 4.0L Power Tech	DDQ = 5 Spd. Manual
M = X				DDD = 5 Speed HD Manual
P = Sahara				DG0 = Auto. Trans.
				DBB = Manual Trans.

AR = Use as required - = Non illustrated part # = New this model year

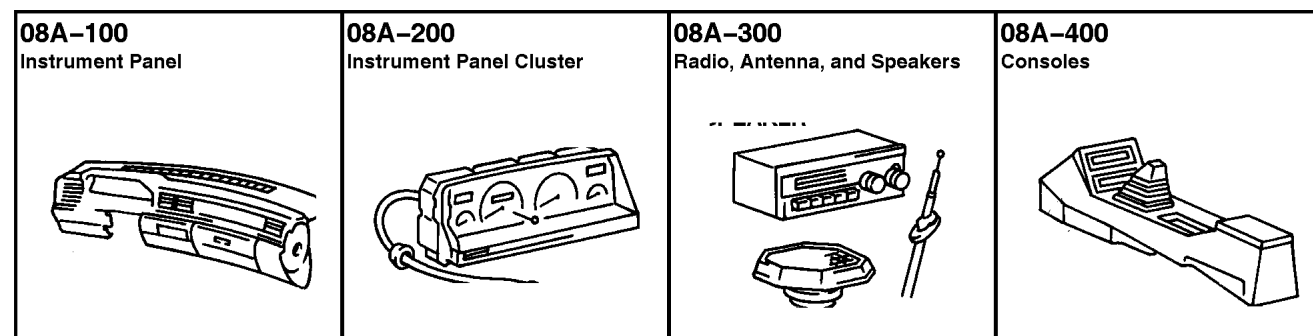
Group – 08A

Instrument Panel and Radios and Consoles

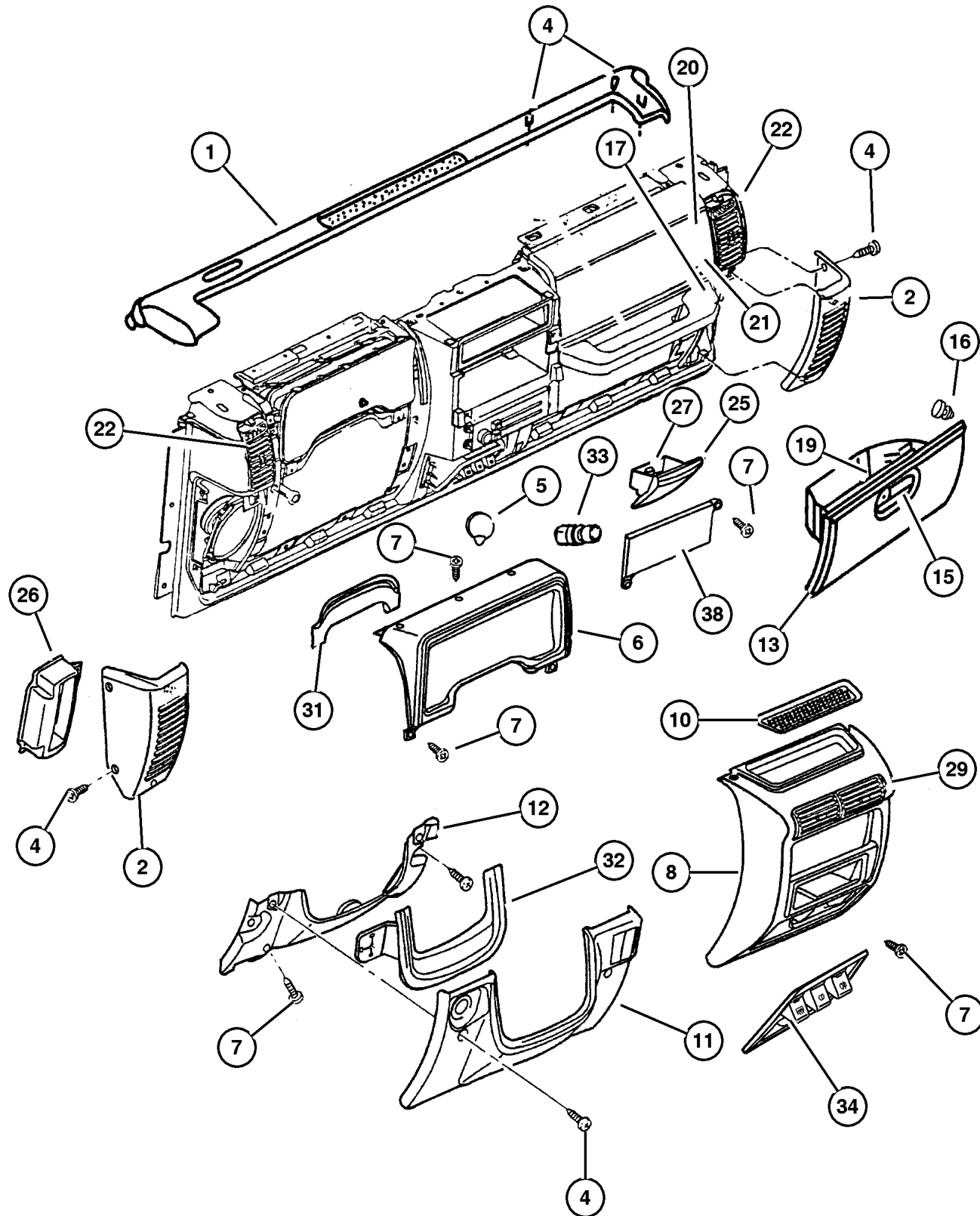


GROUP 8A - Instrument Panel and Radios and Consoles

Illustration Title	Group-Fig. No.
Instrument Panel	
Instrument Panel	Fig. 08A-110
Instrument Panel Cluster	
Instrument Cluster	Fig. 08A-210
Radio, Antenna, and Speakers	
Radio	Fig. 08A-315
Antenna	Fig. 08A-320
Speakers	Fig. 08A-325
Consoles	
Consoles Full & Mini	Fig. 08A-410



Instrument Panel
Figure 08A-110



ITEM	PART NUMBER	QTY	LINE	SERIES	BODY	ENGINE	TRANS	TRIM	DESCRIPTION
1									COVER, Instrument Panel
	5EU50 LAZAC	1							[AZ]
	5EU50 RK5AC	1							[KG]
2									BEZEL, Speaker
	5DP1 6LAZ	1							[AZ], Right
	5DP1 6RK5	1							[KG], Right
	5DP1 7LAZ	1							[AZ], Left
	5DP1 7RK5	1							[KG], Left
-3	4524 342	2							CLIP
4	6035 369	6							SCREW, Piercing, .164-15x1.25, Bezel Mounting
5									CAP, Cigar Lighter, (NOT REQUIRED)
6	5GW62 LAZAA	1							BEZEL, Instrument Cluster, Agate
7	6034 949	5							SCREW
8	5FK57 LAZAC	1							BEZEL, Instrument Panel, Center Bezel (Bumper & Clips Included)
									Agate
-9	4731 028	4							BUMPER, Center Bezel, To base panel
10	5511 5652	1							MAT, Console Cup Holder, Center Tray Rubber Insert
11									COVER, Instrument Panel, Steering Column Opening
	UA83 LAZAA	1							[AZ] with Headlamp Leveling
	UA83 RK5AA	1							[KG] with Headlamp Leveling
	5GV99 LAZAA	1							[AZ] without Headlamp Leveling
	5GV99 RK5AA	1							[KG] without Headlamp Leveling
12									PANEL, Knee Blocker, (NOT REQUIRED)
13									GLOVE BOX, Instrument Panel
	5DP56 LAZAC	1							[AZ]
	5DP56 RK5AC	1							[KG]
-14									STRAP, Glove Box Door Stop
	5503 7355	1					U		
		1					J		
15									LATCH, Glovebox
	5EM2 8LAZ	1							[AZ]
	5EM2 8RK5	1							[KG]
16	5503 7225	2							BUMPER, Glove Box Door
17									HANDLE, Grab, I/Panel
	5DP5 2LAZ	1						U	[AZ] I/Panel

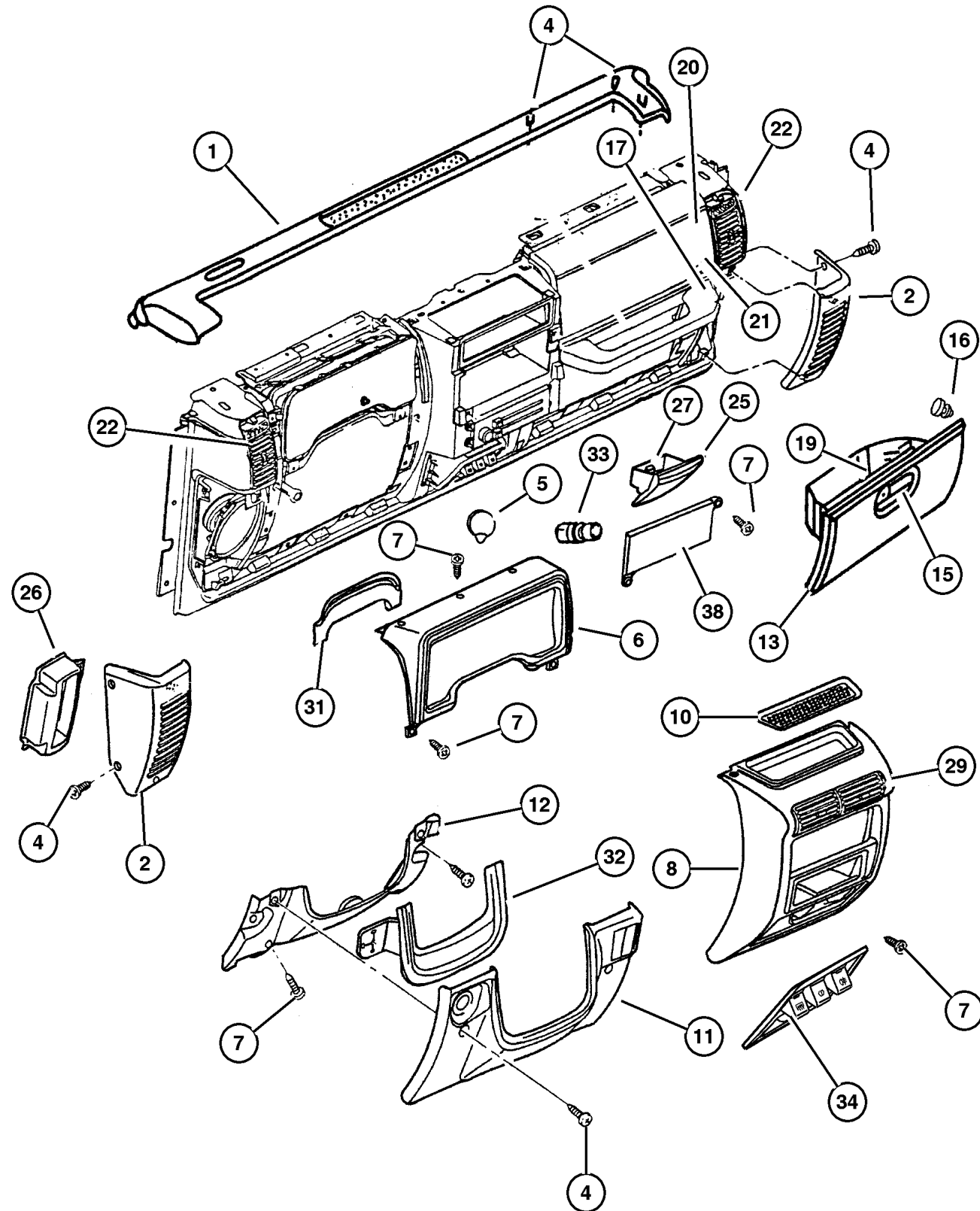
JEEP WRANGLER (TJ)

SERIES	LINE	BODY	ENGINE	TRANSMISSION
H = Sport	J = Wrangler 4WD	77 = 93.4 WB	EPE, EP0 = 2.5L Power Tech	DGG, DGD = 32RH 3 Spd. Auto.
L = SE	U = Wrangler 4WD (RHD)		ERH, ER0 = 4.0L Power Tech	DDQ = 5 Spd. Manual
M = X				DDD = 5 Speed HD Manual
P = Sahara				DG0 = Auto. Trans.
				DBB = Manual Trans.

AR = Use as required - = Non illustrated part # = New this model year

January 26, 2004

**Instrument Panel
Figure 08A-110**



ITEM	PART NUMBER	QTY	LINE	SERIES	BODY	ENGINE	TRANS	TRIM	DESCRIPTION
		1	J						[AZ] I/Panel
	5DP5 2RK5	1	U						[K5] I/Panel
		1	U						[KG] I/Panel
		1	J						[K5] I/Panel
		1	J						[KG] I/Panel
-18									HANDLE, Grab, Bezel Only
	5EE1 1LAZ	1	J						[AZ] Bezel Only
		1	U						[AZ] Bezel Only
	5EE1 1RK5	1	J						[K5] Bezel Only
		1	J						[KG] Bezel Only
		1	U						[K5] Bezel Only
		1	U						[KG] Bezel Only
19									STRIKER, Glove Box Door Latch
	5511 5170	1	U						
		1	J						
20									AIR BAG, Passenger
	55314 982AE	1	J						
		1	U						
21									DOOR, Passenger Air Bag
	5DU3 8LAZ	1	J						[AZ]
		1	U						[AZ]
	5DU3 8RK5	1	J						[K5]
		1	J						[KG]
		1	U						[K5]
		1	U						[KG]
22									OUTLET, Air Conditioning & Heater
	5DP5 4TAZ	1	U						[AZ], Right
	5DP5 5TAZ	1	J						[AZ], Left
		1	J						[K5], Left
		1	J						[KG], Left
	5DP5 4TAZ	1	U						[K5], Right
		1	U						[KG], Right
		1	J						[AZ], Right
		1	J						[K5], Right
		1	J						[KG], Right
	5DP5 5TAZ	1	U						[AZ], Left
		1	U						[K5], Left
		1	U						[KG], Left
-23									PANEL, Instrument
	UA84 1K5AA	1	J						[K5]
		1	J						[KG]
	UA84 LAZAA	1	J						[AZ]

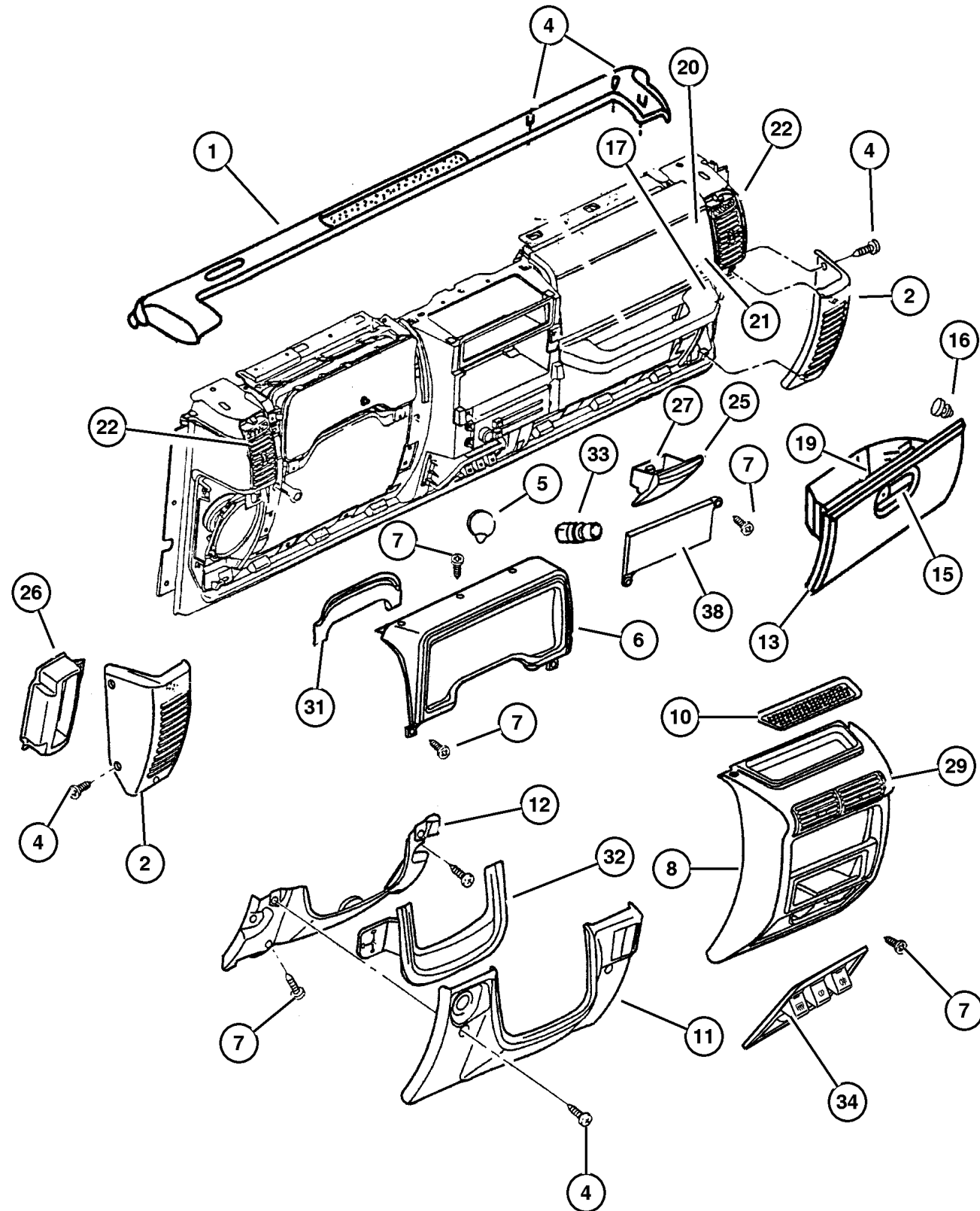
JEEP WRANGLER (TJ)

SERIES	LINE	BODY	ENGINE	TRANSMISSION
H = Sport	J = Wrangler 4WD	77 = 93.4 WB	EPE, EP0 = 2.5L Power Tech	DGG, DGD = 32RH 3 Spd. Auto.
L = SE	U = Wrangler 4WD (RHD)		ERH, ER0 = 4.0L Power Tech	DDQ = 5 Spd. Manual
M = X				DDD = 5 Speed HD Manual
P = Sahara				DG0 = Auto. Trans.
				DBB = Manual Trans.

AR = Use as required - = Non illustrated part # = New this model year

January 26, 2004

Instrument Panel
Figure 08A-110



ITEM	PART NUMBER	QTY	LINE	SERIES	BODY	ENGINE	TRANS	TRIM	DESCRIPTION
	UA89 1K5AA	1	U						[K5]
		1	U						[KG]
	UA89 LAZAA	1	U						[AZ]
-24									PANEL, Instrument, Cosmetic Repair Panel
	5EM26 LAZAD	1	J						[AZ]
		1	U						[AZ]
	5EM26 RK5AD	1	J						[K5]
		1	J						[KG]
		1	U						[K5]
		1	U						[KG]
25	5FK6 2TAZ	1							ASH RECEIVER, Instrument Panel, Agate
26									BAFFLE, Speaker, (NOT REQUIRED)
27	5503 3543	1							SPRING, Ash Receiver
-28									CLIP, Speaker, Ash Receiver Mounting
	6035 859	3	J						
		3	U						
29	5FS1 0TAZ	2							OUTLET, Air Conditioning & Heater, Air I/Panel Center (Agate)
-30	6503 175	5							CLIP, Quarter Panel, I/Panel FILLER, I/P To A Pillar, FILLER, Gap (Serviced in Item # 5), (NOT SERVICED) (Not Serviced)
31									FILLER, I/P To A Pillar, FILLER, Gap (Serviced In Item # 9), (NOT SERVICED) (Not Serviced)
32									FILLER, I/P To A Pillar, FILLER, Gap (Serviced In Item # 9), (NOT SERVICED) (Not Serviced)
33	4685 536	1							KNOB AND ELEMENT, Cigar Lighter
34	56007 314AD	1							BEZEL, Cigar Lighter, Bezel & plug, Switch & Cigar Lighter
-35	4685 590	1							BASE, Cigar Lighter
-36	4793 555	1							RING, Cigar Lighter Mounting
-37									PLUG, Switch Opening without Heated Backlite
	5600 7329	1							without Rear Wiper
	5600 7330	1							
38	4372 399	1							COVER, Radio Opening, I/Panel Radio Opening
-39									SCREW AND WASHER, Truss Head, M6-1.00x30.00, Instrument Panel To Body Cowl attaching, (NOT SERVICED) (Not Serviced)

JEEP WRANGLER (TJ)

SERIES	LINE	BODY	ENGINE	TRANSMISSION
H = Sport	J = Wrangler 4WD	77 = 93.4 WB	EPE, EP0 = 2.5L Power Tech	DGG, DGD = 32RH 3 Spd. Auto.
L = SE	U = Wrangler 4WD (RHD)		ERH, ER0 = 4.0L Power Tech	DDQ = 5 Spd. Manual
M = X				DDD = 5 Speed HD Manual
P = Sahara				DG0 = Auto. Trans.
				DBB = Manual Trans.

AR = Use as required - = Non illustrated part # = New this model year

January 26, 2004

Instrument Cluster Figure 08A-210

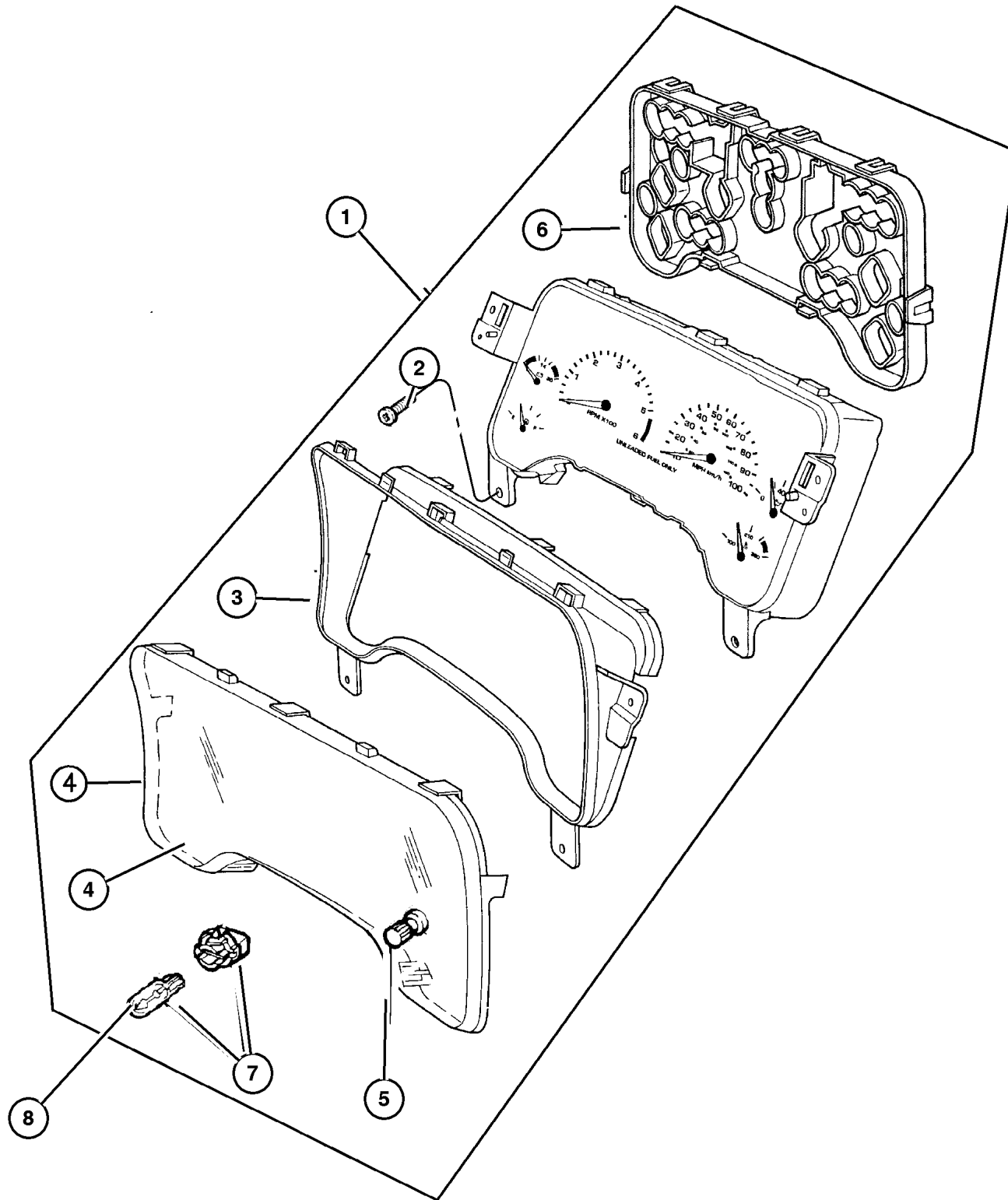
ITEM	PART NUMBER	QTY	LINE	SERIES	BODY	ENGINE	TRANS	TRIM	DESCRIPTION
------	-------------	-----	------	--------	------	--------	-------	------	-------------

Notes:

[EP0]=2.5L Engine

[ER0]=4.0L Engine

1									CLUSTER
	56009 170AF	1							MPH
	56009 172AF	1	U						MPH
	56009 174AF	1	U						KPH
	56047 078AA	1							KPH w/Rear Foglamp
	56009 171AF	1							180 KPH
2	6034 949	4							SCREW
3	4874 344	1							MASK, Instrument Cluster
4	4874 345	1							LENS, Cluster
5	4874 346	1							GROMMET, Speedometer Trip Reset
6	5018 621AA	1							COVER, Cluster
7	4874 349	1							BULB AND SOCKET
8	L000 PC74	1							BULB, PC74



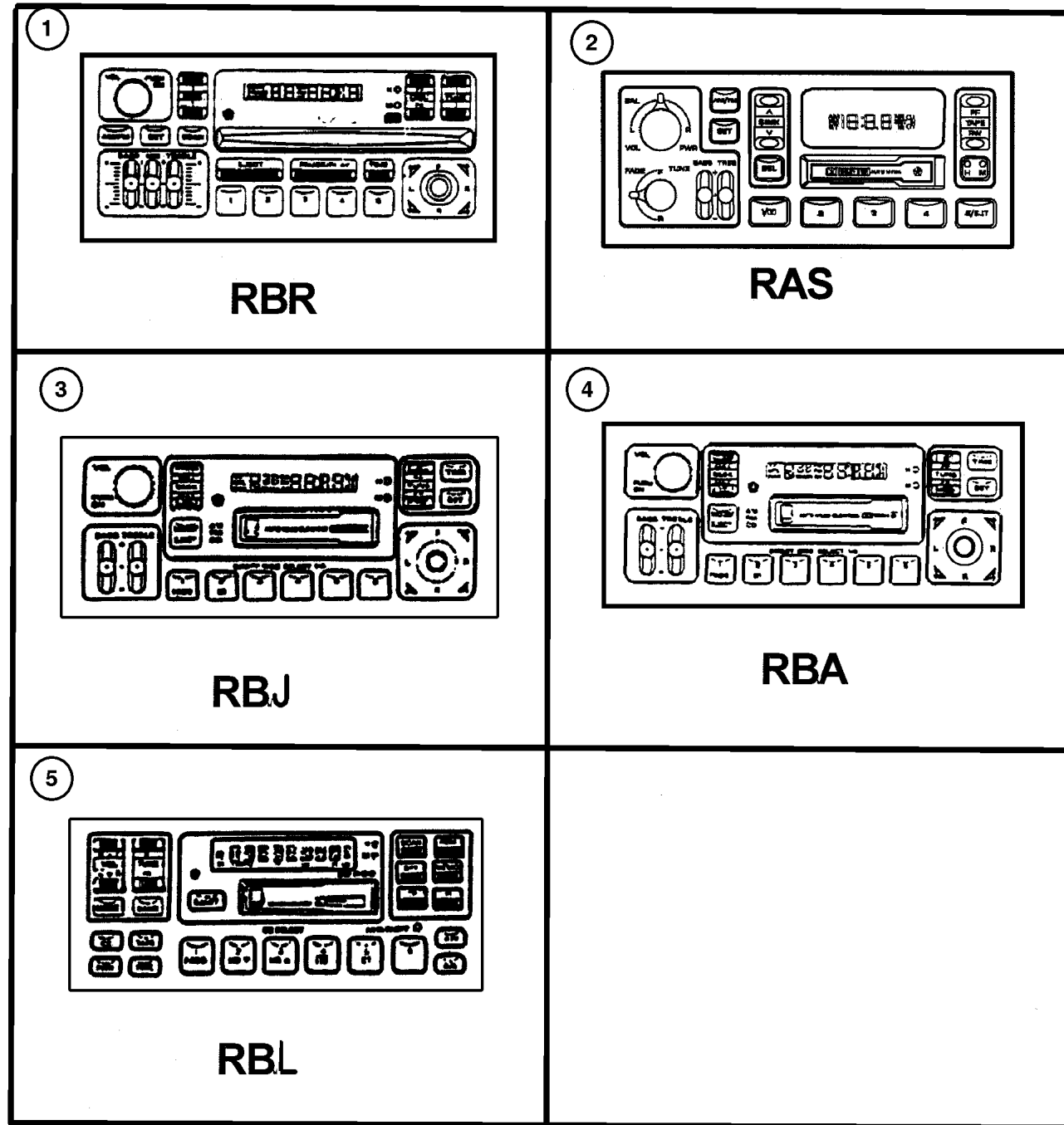
JEEP WRANGLER (TJ)

SERIES	LINE	BODY	ENGINE	TRANSMISSION
H = Sport	J = Wrangler 4WD	77 = 93.4 WB	EPE, EP0 = 2.5L Power Tech	DGG, DGD = 32RH 3 Spd. Auto.
L = SE	U = Wrangler 4WD (RHD)		ERH, ER0 = 4.0L Power Tech	DDQ = 5 Spd. Manual
M = X				DDD = 5 Speed HD Manual
P = Sahara				DG0 = Auto. Trans.
				DBB = Manual Trans.

AR = Use as required - = Non illustrated part # = New this model year

January 26, 2004

Radio
Figure 08A-315



ITEM	PART NUMBER	QTY	LINE	SERIES	BODY	ENGINE	TRANS	TRIM	DESCRIPTION
Notes:									
[RAS]=AM/FM Cassette									
[RBA]=AM/FM with Cassette & CD Changer Control									
[RBJ]=Midline AM/FM with Cassette & CD Changer Control									
[RBL]=AM/MW/LW-RDS with Cassette									
[RBR]=AM/FM with CD & Equalizer									
1	4704 373AE	1							RADIO, AM/FM with CD and Equalizer, [RBR]
2	56038 933AB	1							RADIO, AM/FM Cassette, [RAS]
3	4704 393AD	1	U						RADIO, AM/FM Cassette with CD Control, [RBJ]
4	4704 392AD	1							RADIO, AM/FM Cassette with CD Control, [RBA]
5	4859 504AD	1							RADIO, FM/MW/LW-RDS and Cassette, [RBL]
-6	4704 392AD	1							RADIO, AM/FM Cassette with CD Control, [RBN]
-7	5600 9159	1							STRAP, Ground, Radio Rear
-8	5600 9160	1							STRAP, Ground, Engine/Frame
-9	5600 9161	1							STRAP, Ground, Engine/Body/Hood
-10	56038 592AB	1							BRACKET, Audio Equipment, [RBR]

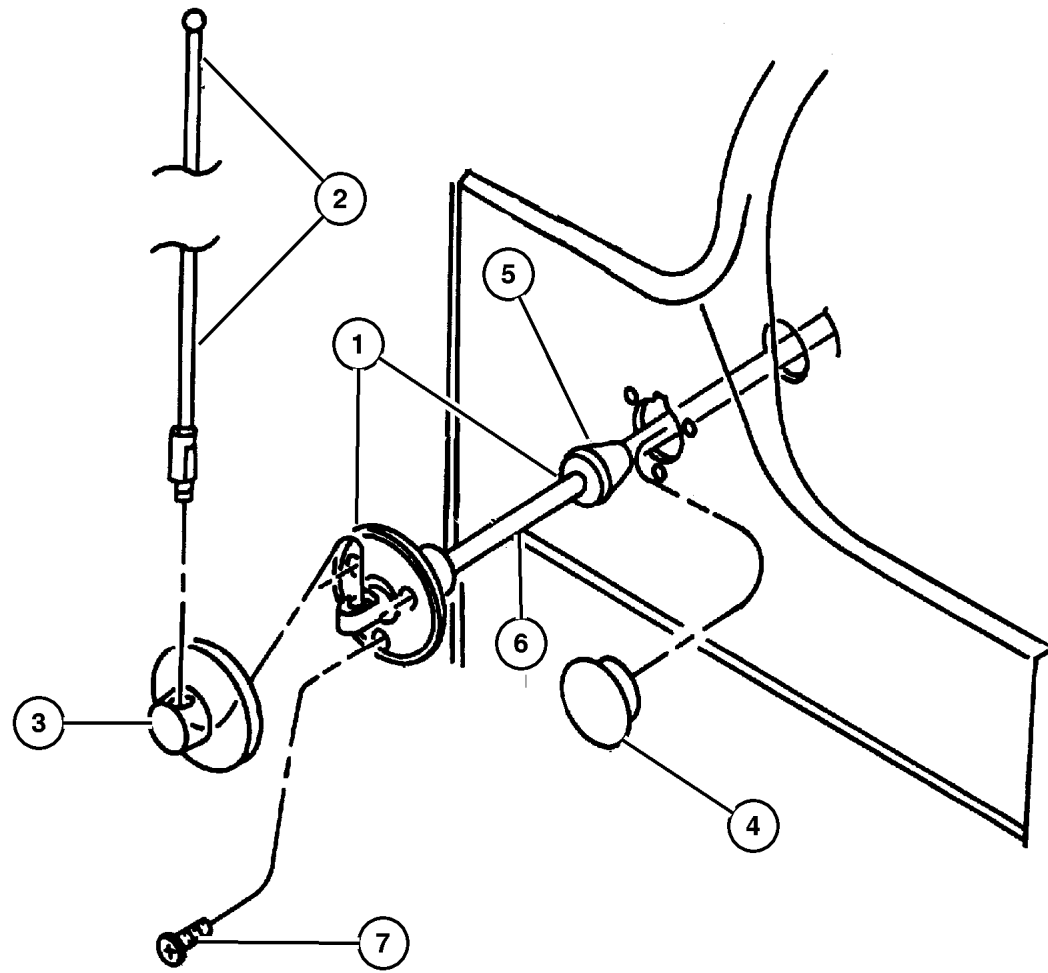
JEEP WRANGLER (TJ)				
SERIES	LINE	BODY	ENGINE	TRANSMISSION
H = Sport	J = Wrangler 4WD	77 = 93.4 WB	EPE, EP0 = 2.5L Power Tech	DGG, DGD = 32RH 3 Spd. Auto.
L = SE	U = Wrangler 4WD (RHD)		ERH, ER0 = 4.0L Power Tech	DDQ = 5 Spd. Manual
M = X				DDD = 5 Speed HD Manual
P = Sahara				DG0 = Auto. Trans.
				DBB = Manual Trans.

AR = Use as required - = Non illustrated part # = New this model year

January 26, 2004

Antenna
Figure 08A-320

ITEM	PART NUMBER	QTY	LINE	SERIES	BODY	ENGINE	TRANS	TRIM	DESCRIPTION
1	5600 8788	1							ANTENNA, Base Cable And Bracket
2									MAST, Antenna
	#56009 081AB	1							Chrome
	5600 9081	1							Black
3	5603 8504	1							COVER, Antenna Opening
4	5600 8929	1	J						PLUG, Antenna Hole
5									GROMMET, Antenna, (NOT SERVICED) (Not Serviced)
6	5600 8786	1							CABLE, Antenna
7									SCREW, .164-18x.75, (NOT SERVICED) (Not Serviced)

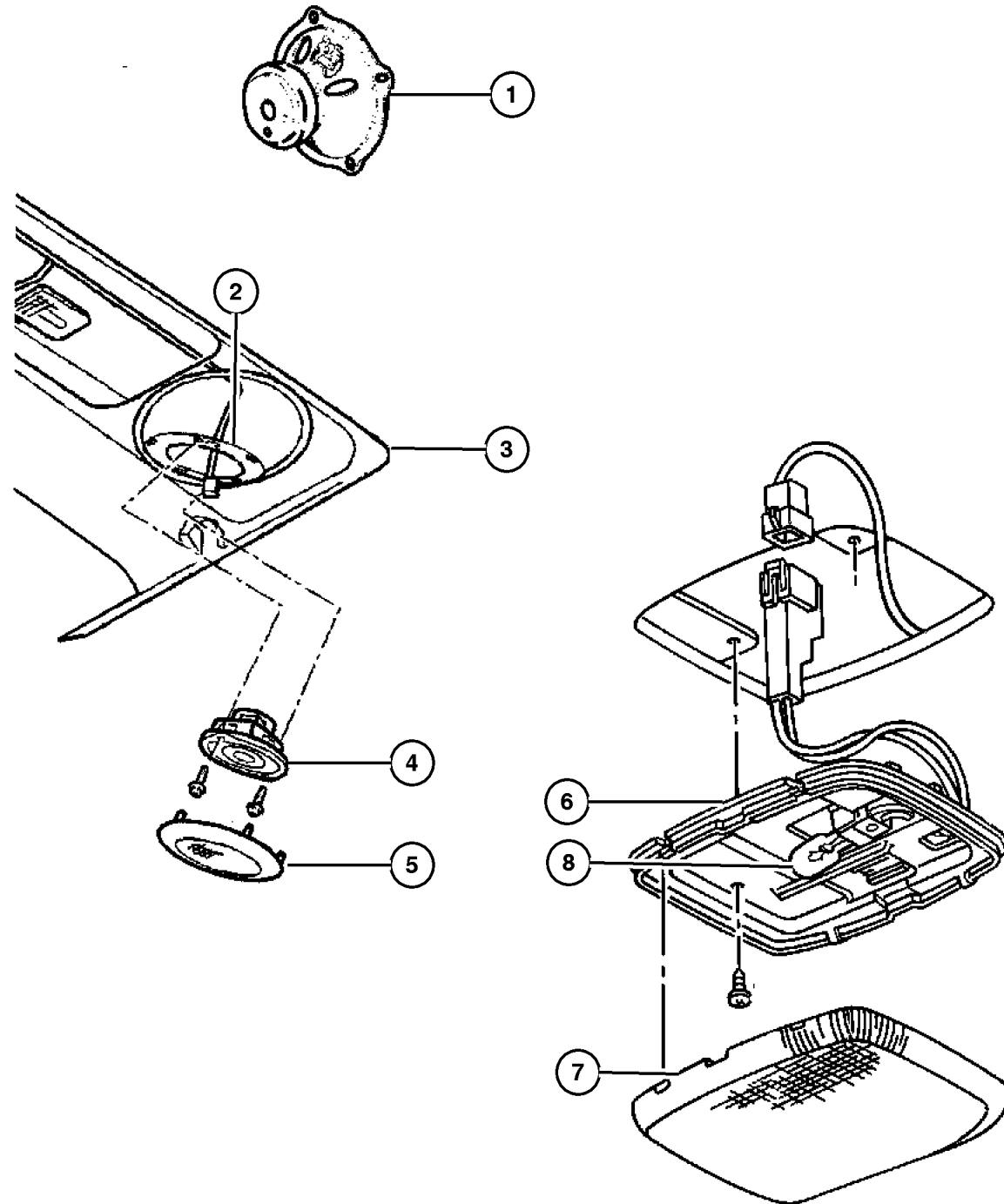


JEEP WRANGLER (TJ)			
SERIES	LINE	BODY	ENGINE
H = Sport	J = Wrangler 4WD	77 = 93.4 WB	EPE, EP0 = 2.5L Power Tech
L = SE	U = Wrangler 4WD (RHD)		ERH, ER0 = 4.0L Power Tech
M = X			
P = Sahara			
			TRANSMISSION
			DGG, DGD = 32RH 3 Spd. Auto.
			DDQ = 5 Spd. Manual
			DDD = 5 Speed HD Manual
			DG0 = Auto. Trans.
			DBB = Manual Trans.

AR = Use as required - = Non illustrated part # = New this model year

January 26, 2004

Speakers Figure 08A-325



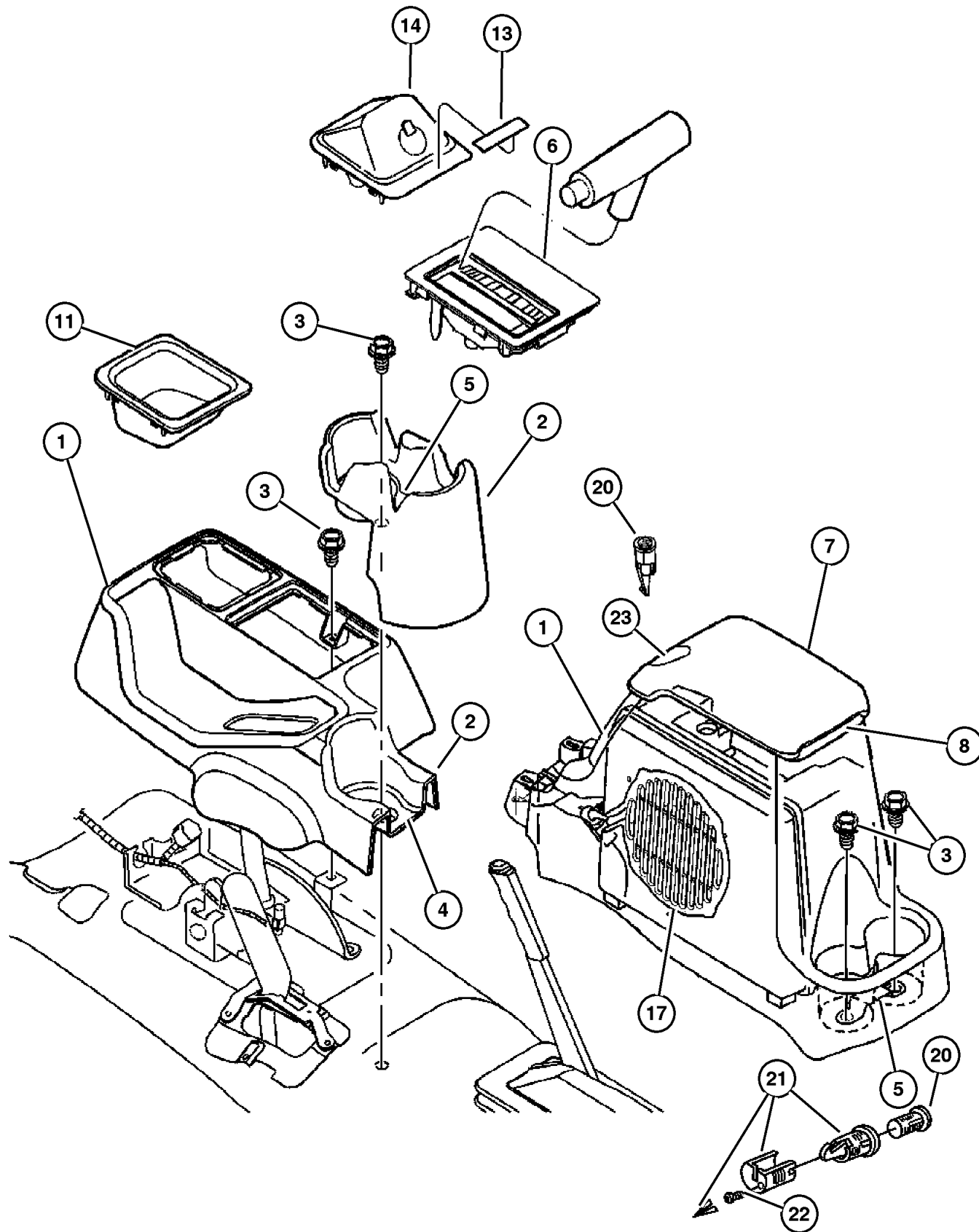
ITEM	PART NUMBER	QTY	LINE	SERIES	BODY	ENGINE	TRANS	TRIM	DESCRIPTION
Notes:									
[RCD]= 4 Speakers									
[RCU]= 7 Speakers (Including Subwoofer)									
1									SPEAKER, Instrument Panel [RCD]
	#56008 795AF	2							[RCD]
	#56038 719AC	2							[RCU]
2	56009 941AA	1							CHOKE, Speaker
3	4874 294	1							COVER, Soundbar, [RCD] [RCU]
4	56038 566AC	2							SPEAKER, 5.25", [RCD] [RCU]
5	4874 296AB	1							GRILLE, Speaker, [RCD] [RCU]
6	5600 7264	1							BEZEL, Dome Lamp, [RCD] [RCU]
7	5600 7265	1							LENS, Dome Lamp, [RCD] [RCU]
8	L000 0912	1							BULB, 912, [RCD] [RCU]

JEEP WRANGLER (TJ)				
SERIES	LINE	BODY	ENGINE	TRANSMISSION
H = Sport	J = Wrangler 4WD	77 = 93.4 WB	EPE, EP0 = 2.5L Power Tech	DGG, DGD = 32RH 3 Spd. Auto.
L = SE	U = Wrangler 4WD (RHD)		ERH, ER0 = 4.0L Power Tech	DDQ = 5 Spd. Manual
M = X				DDD = 5 Speed HD Manual
P = Sahara				DG0 = Auto. Trans.
				DBB = Manual Trans.

AR = Use as required - = Non illustrated part # = New this model year

January 26, 2004

Consoles Full & Mini
Figure 08A-410



ITEM	PART NUMBER	QTY	LINE	SERIES	BODY	ENGINE	TRANS	TRIM	DESCRIPTION
Notes:									
[DG0]=All Automatic Transmissions									
1	5HE62 LAZAD	1							CONSOLE, Floor
	5HE62 RK5AD	1							[AZ] Rear Tower with Full Floor Console & without Subwoofer
		1							[K5] Rear Tower with Full Floor Console & without Subwoofer
		1							[KG] Rear Tower with Full Floor Console & without Subwoofer
	5HF13 LAZAC	1							[AZ] Mini Console or Forward Section of Full Console
	5HF13 RK5AC	1							[K5] Mini Console or Forward Section of Full Console
		1							[KG] Mini Console or Forward Section of Full Console
	WS46 LAZAA	1							[AZ] Rear Tower with Full Floor Console & with Subwoofer
	WS46 RK5AA	1							[K5] Rear Tower with Full Floor Console & with Subwoofer
		1							[KG] Rear Tower with Full Floor Console & with Subwoofer
2	55315 038AC	1							CUPHOLDER, Console
	5HJ98 LAZAB	1							Dual Cupholder (Full Console)
									Cupholder (Rear of Mini Floor Console)
3									SCREW, 0.190-16x.875 , (NOT SERVICED) (Not Serviced)
4	5511 5652	1							MAT, Console Cup Holder, Single Cupholder Mat
5	55315 050AA	1							MAT, Floor, Double Cupholder Mat
6	55115 570AB	1							BEZEL AND DIAL, Gearshift Lever
7	5HE63 LAZAD	1							LID, Center Console Storage
	5HE63 RK5AD	1							[AZ] (Latch & Hinge Included)
		1							[K5] (Latch & Hinge Included)
		1							[KG] (Latch & Hinge Included)
8	55315 039AB	1							HINGE, Floor Console Lid
-9									STRIKER, Console Lid Catch, Serviced in Console, (NOT SERVICED) (Not Serviced)
-10	55315 051AA	2							BUMPER, Glove Box Door
11	56047 002AA	1	J						BEZEL, Floor Console, Passenger Airbag Disarm

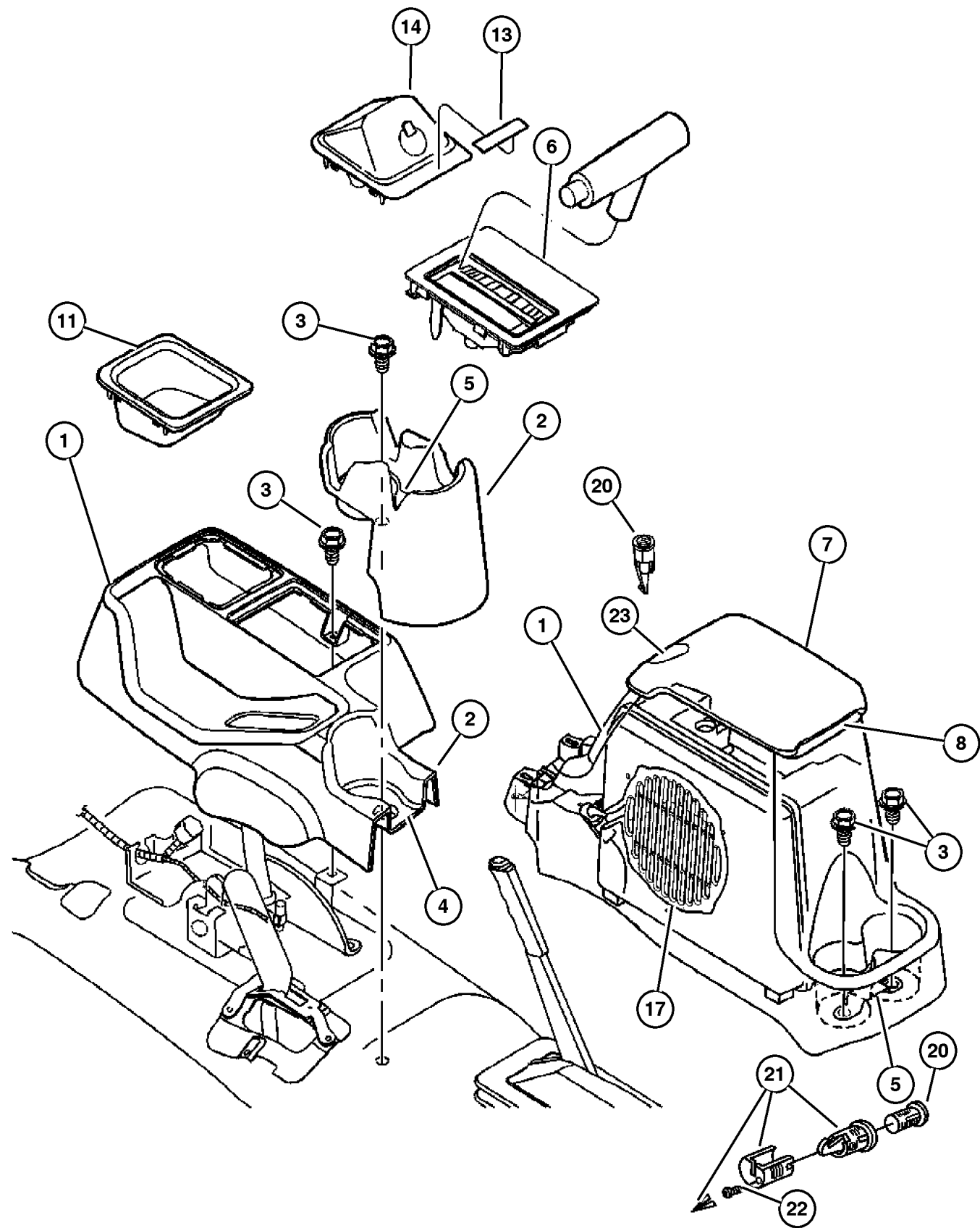
JEEP WRANGLER (TJ)

SERIES	LINE	BODY	ENGINE	TRANSMISSION
H = Sport	J = Wrangler 4WD	77 = 93.4 WB	EPE, EP0 = 2.5L Power Tech	DGG, DGD = 32RH 3 Spd. Auto.
L = SE	U = Wrangler 4WD (RHD)		ERH, ER0 = 4.0L Power Tech	DDQ = 5 Spd. Manual
M = X				DDD = 5 Speed HD Manual
P = Sahara				DG0 = Auto. Trans.
				DBB = Manual Trans.

AR = Use as required - = Non illustrated part # = New this model year

January 26, 2004

Consoles Full & Mini
Figure 08A-410



ITEM	PART NUMBER	QTY	LINE	SERIES	BODY	ENGINE	TRANS	TRIM	DESCRIPTION
-12	56010 301AA	1	J						SWITCH, Passenger Airbag Disarm
13	5012 482AA	AR							COVER, Switch Opening
14	55315 001AA	1	J						LABEL, Air Bag Warning
-15	55315 000AB	1	J						PLUG, Cover, With Tether
-16	55315 040AC	1							BIN, Storage Without Compact Disc & without Sub-Woofer (Full Console Rear)
	55315 055AA	1							With Compact Disc
17	#56038 609AD	1							SPEAKER, Sub Woofer, Full Console Rear
-18	55315 043AC	1							PLATE, Speaker, Without Compact Disc & without Sub-Woofer (Full Console Rear)
-19	6034 833	2							CLIP, Push, .164-7.5, Hinge to Console Base
20	4746 305	1							CYLINDER, Console Lock
21	4741 954	1							LATCH, Storage Bin Lid
22									SCREW, (NOT SERVICED) (Not Serviced)
23	55315 041AC	1							LATCH, Armrest Lid, Latch clip

JEEP WRANGLER (TJ)

SERIES	LINE	BODY	ENGINE	TRANSMISSION
H = Sport	J = Wrangler 4WD	77 = 93.4 WB	EPE, EP0 = 2.5L Power Tech	DGG, DGD = 32RH 3 Spd. Auto.
L = SE	U = Wrangler 4WD (RHD)		ERH, ER0 = 4.0L Power Tech	DDQ = 5 Spd. Manual
M = X				DDD = 5 Speed HD Manual
P = Sahara				DG0 = Auto. Trans.
				DBB = Manual Trans.

AR = Use as required - = Non illustrated part # = New this model year

January 26, 2004

Group – 009

Engine Mounting

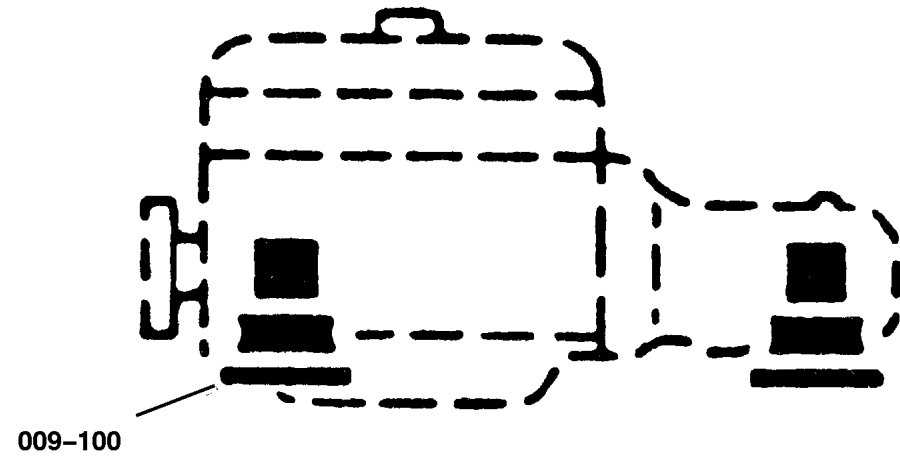
GROUP 9 - Engine Mounting

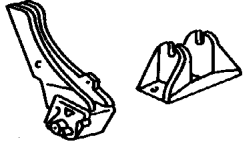
Illustration Title

Group-Fig. No.

Engine Mounting

Engine Mounting, Front, 2.5 (EPE)	Fig. 009-110
Engine Mounting, Rear, 2.5 (EPE)	Fig. 009-120
Engine Mounting, Front, 4.0 (ERH)	Fig. 009-130
Engine Mounting, Rear, 4.0 (ERH)	Fig. 009-140



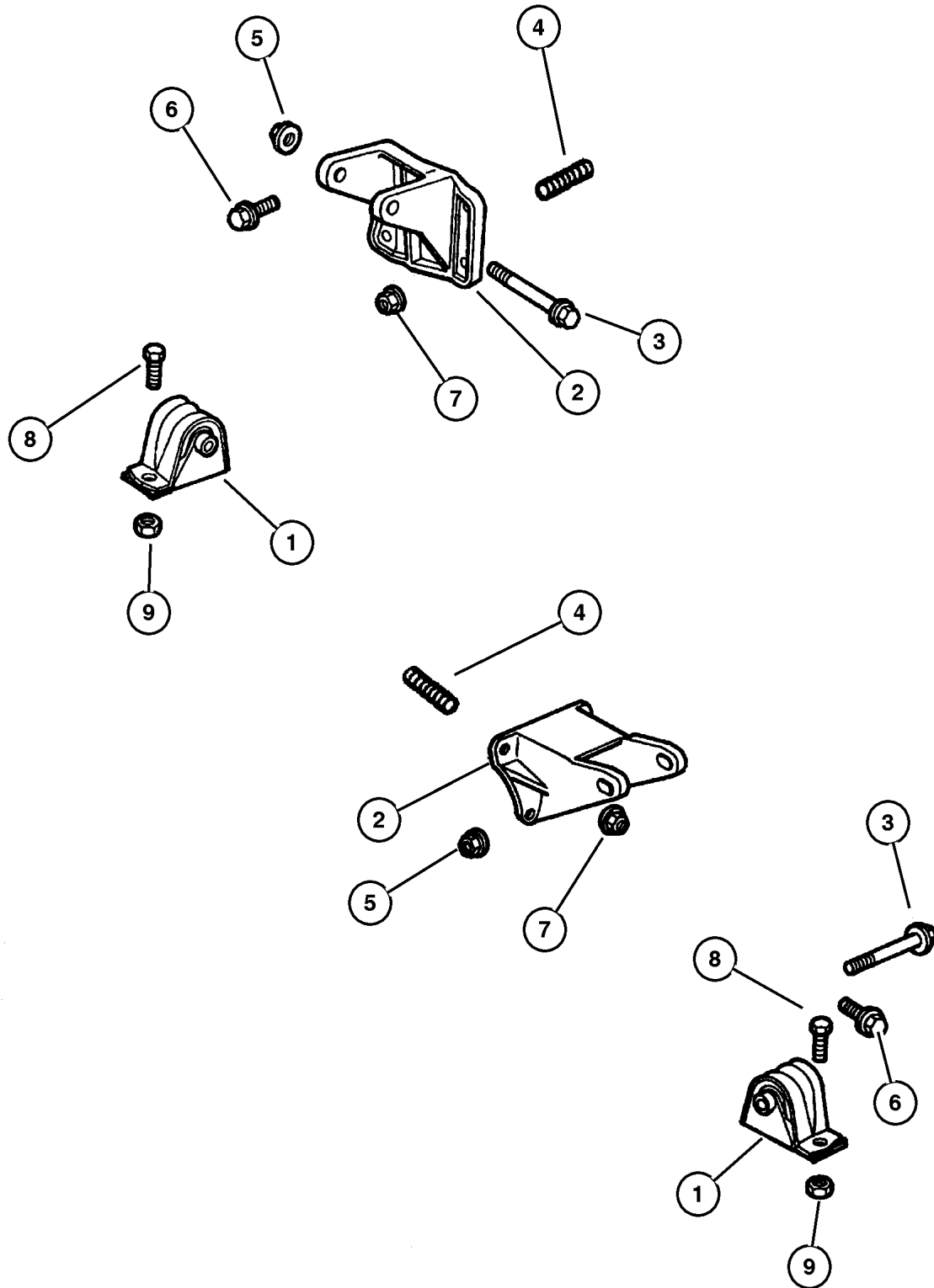
<p>009-100 Engine Mounting</p> 			
---	--	--	--

**Engine Mounting, Front, 2.5 (EPE)
Figure 009-110**

ITEM	PART NUMBER	QTY	LINE	SERIES	BODY	ENGINE	TRANS	TRIM	DESCRIPTION
------	-------------	-----	------	--------	------	--------	-------	------	-------------

NOTE: EP0=All 2.5L Gas Engines

1	52019 276AB	2				EP0			INSULATOR, Engine Mount
2	5201 8696	1				EP0			BRACKET, Engine Mount Right
	5201 8697	1				EP0			Left
3	3420 2606	2				EP0, ER0			BOLT, Hex Head
4	6033 883	3				EP0			STUD, .375-16x2.00"
5	6502 697	2							NUT, Hex Flange Lock, M12x1.75
6	6036 176AA	5				EP0			SCREW, Hex Head, .375-16x1.125
7	0152 474	3				EP0			NUT, Hex Flange Lock, .375-16
8	6502 137	2							BOLT, Hex Flange Head, M10x1. 50x35
9	6502 696	2							NUT, Hex Flange Lock, M10x1.5



JEEP WRANGLER (TJ)

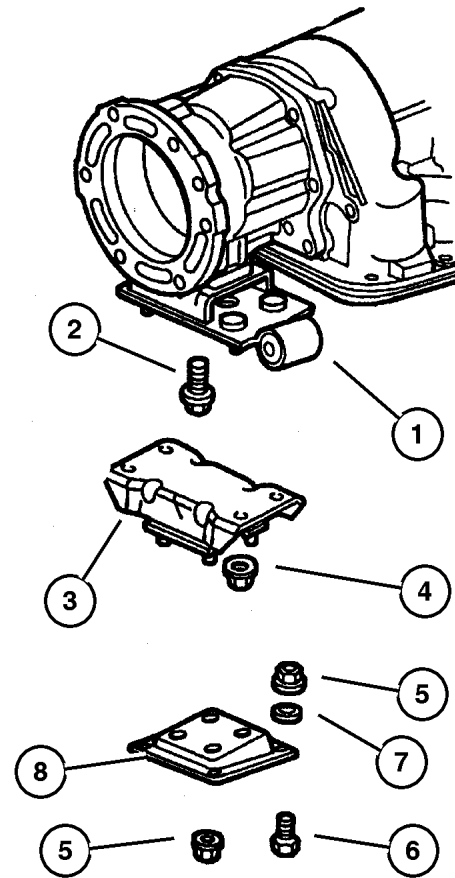
SERIES	LINE	BODY	ENGINE	TRANSMISSION
H = Sport	J = Wrangler 4WD	77 = 93.4 WB	EPE, EP0 = 2.5L Power Tech	DGG, DGD = 32RH 3 Spd. Auto.
L = SE	U = Wrangler 4WD (RHD)		ERH, ER0 = 4.0L Power Tech	DDQ = 5 Spd. Manual
M = X				DDD = 5 Speed HD Manual
P = Sahara				DG0 = Auto. Trans.
				DBB = Manual Trans.

AR = Use as required - = Non illustrated part # = New this model year

January 26, 2004

**Engine Mounting, Rear, 2.5 (EPE)
Figure 009-120**

ITEM	PART NUMBER	QTY	LINE	SERIES	BODY	ENGINE	TRANS	TRIM	DESCRIPTION
NOTE: EP0=All 2.5L Gas Engines DDO= All Manual Transmission DG0=All Automatic Transmissions									
1									BRACKET, Transmission Mount
	52058 548AB	1					DG0		
	5205 8618	1				EP0	DD0		
2									BOLT, .437-14x1.120, (NOT SERVICED) (Not Serviced)
3	52058 551AB	1							MOUNT, Transmission
4	6502 337	4							NUT, M10x1.5
5	6100 517	4							NUT, Hex Flange Lock, M8 Phosphate
6									BOLT, M8x1.25x25.00, (NOT SERVICED) (Not Serviced)
7									WASHER, (NOT SERVICED) (Not Serviced)
8									BRACKET, Transmission Mount
	5205 8863	1					DG0		
	5205 8618	1				EP0	DD0		

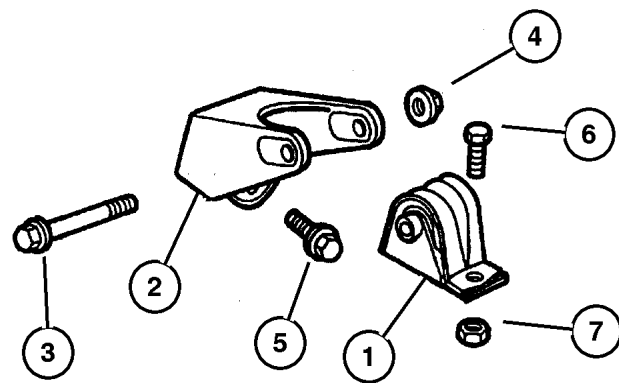
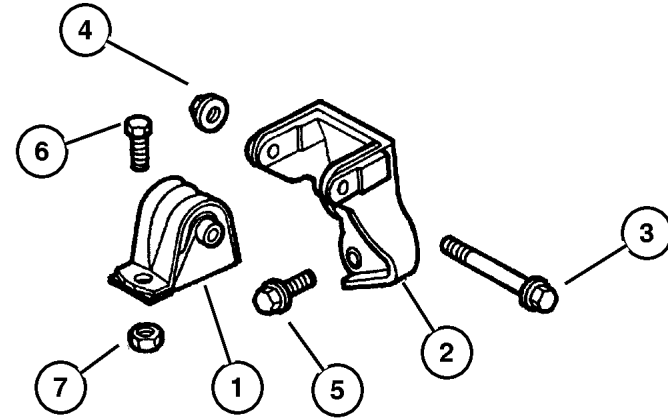


JEEP WRANGLER (TJ)				
SERIES	LINE	BODY	ENGINE	TRANSMISSION
H = Sport	J = Wrangler 4WD	77 = 93.4 WB	EPE, EP0 = 2.5L Power Tech	DGG, DGD = 32RH 3 Spd. Auto.
L = SE	U = Wrangler 4WD (RHD)		ERH, ER0 = 4.0L Power Tech	DDQ = 5 Spd. Manual
M = X				DDD = 5 Speed HD Manual
P = Sahara				DG0 = Auto. Trans.
				DBB = Manual Trans.

AR = Use as required - = Non illustrated part # = New this model year

January 26, 2004

**Engine Mounting, Front, 4.0 (ERH)
Figure 009-130**



ITEM	PART NUMBER	QTY	LINE	SERIES	BODY	ENGINE	TRANS	TRIM	DESCRIPTION
NOTE: ER0=All 4.0L Engines									
1	52019 278AB	2				ER0			INSULATOR, Engine Mount
2	52059 284AA	1				ER0			BRACKET, Engine Mount Right
	52059 285AA	1				ER0			Left
3	3420 2606	2				EP0, ER0			BOLT, Hex Head
4	6502 697	2							NUT, Hex Flange Lock, M12x1.75
5	6503 699	6				ER0			SCREW AND WASHER, Hex Head, M10x1.5x28
6	6502 137	2							BOLT, Hex Flange Head, M10x1.5x35
7	6502 696	2							NUT, Hex Flange Lock, M10x1.5

JEEP WRANGLER (TJ)

SERIES	LINE	BODY	ENGINE	TRANSMISSION
H = Sport	J = Wrangler 4WD	77 = 93.4 WB	EPE, EP0 = 2.5L Power Tech	DGG, DGD = 32RH 3 Spd. Auto.
L = SE	U = Wrangler 4WD (RHD)		ERH, ER0 = 4.0L Power Tech	DDQ = 5 Spd. Manual
M = X				DDD = 5 Speed HD Manual
P = Sahara				DG0 = Auto. Trans.
				DBB = Manual Trans.

AR = Use as required - = Non illustrated part # = New this model year

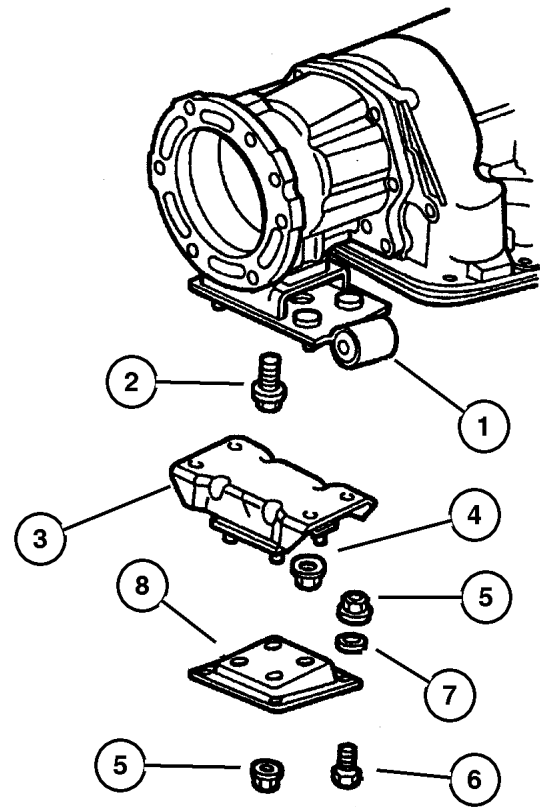
January 26, 2004

**Engine Mounting, Rear, 4.0 (ERH)
Figure 009-140**

ITEM	PART NUMBER	QTY	LINE	SERIES	BODY	ENGINE	TRANS	TRIM	DESCRIPTION
------	-------------	-----	------	--------	------	--------	-------	------	-------------

NOTE: ER0=All 4.0L Engines DDO= All Manual Transmission DG0=All Automatic Transmissions

1	52058 546AB	1				ER0	DD0		BRACKET, Transmission Mount
	52058 548AB	1					DG0		
2									BOLT, .437-14x1.120, (NOT SERVICED) (Not Serviced)
3	52058 551AB	1							MOUNT, Transmission
4	6502 337	4							NUT, M10x1.5
5	6100 517	4							NUT, Hex Flange Lock, M8 Phosphate
6									BOLT, M8x1.25x25.00, (NOT SERVICED) (Not Serviced)
7									WASHER, (NOT SERVICED) (Not Serviced)
8	5205 8863	1					DG0		BRACKET, Transmission Mount



JEEP WRANGLER (TJ)				
SERIES	LINE	BODY	ENGINE	TRANSMISSION
H = Sport	J = Wrangler 4WD	77 = 93.4 WB	EPE, EP0 = 2.5L Power Tech	DGG, DGD = 32RH 3 Spd. Auto.
L = SE	U = Wrangler 4WD (RHD)		ERH, ER0 = 4.0L Power Tech	DDQ = 5 Spd. Manual
M = X				DDD = 5 Speed HD Manual
P = Sahara				DG0 = Auto. Trans.
				DBB = Manual Trans.

AR = Use as required - = Non illustrated part # = New this model year

January 26, 2004

Group – 2.5L4

Engine 2.5L Four Cylinder

GROUP 2.5L4 - Engine 2.5L Four Cylinder

Illustration Title

Group-Fig. No.

Cylinder Head

Cylinder Head, 2.5 (EPE) Fig. 2.5L4-210

Cylinder Block

Cylinder Block, 2.5 (EPE) Fig. 2.5L4-310

Crankshaft, Piston and Drive Plate

Crankshaft, Piston and Torque Converter, 2.5 (EPE) Fig. 2.5L4-410

Camshafts & Valves

Camshaft and Valves, 2.5 (EPE) Fig. 2.5L4-510

Timing Belt and Cover

Timing Cover, 2.5 (EPE) Fig. 2.5L4-610

Engine Oiling

Engine Oiling, 2.5 (EPE) Fig. 2.5L4-710

Manifolds

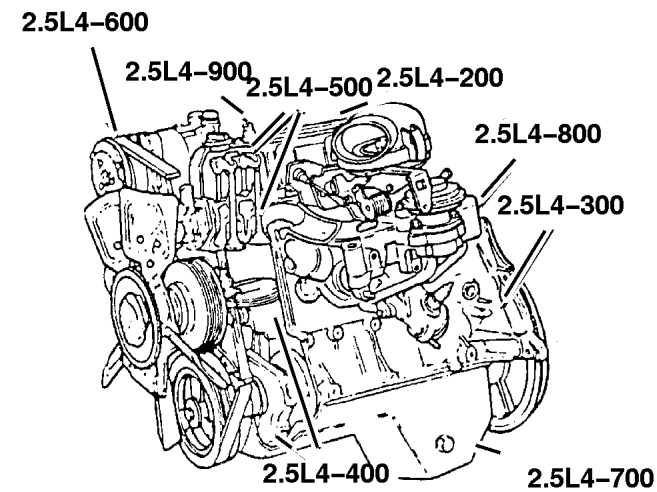
Manifold, Intake and Exhaust, 2.5 (EPE) Fig. 2.5L4-810

Crankcase Ventilation

Crankcase Ventilation, 2.5 (EPE) Fig. 2.5L4-910

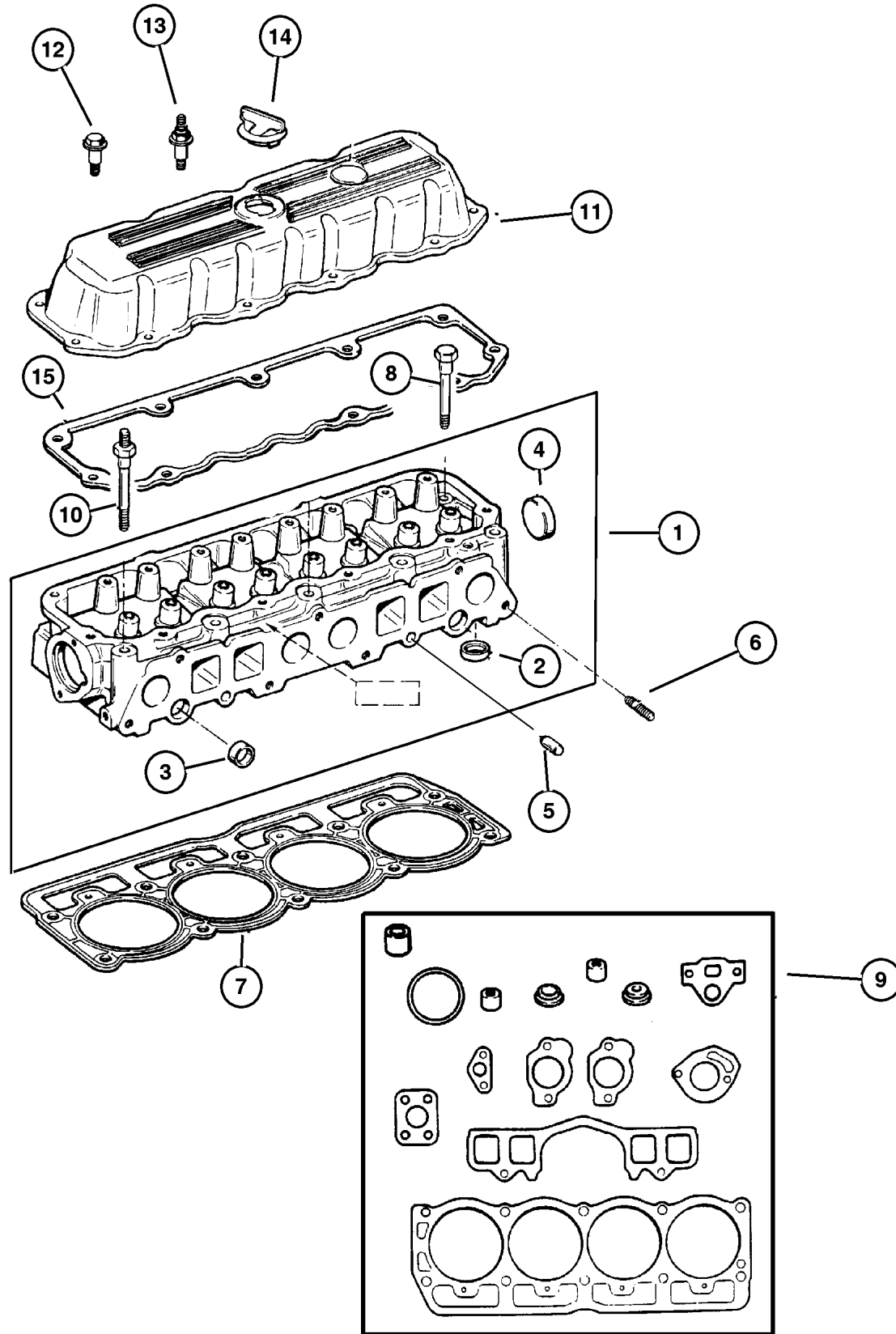
1	2	3000	3000	3000000
Year	Model	Year	Year	Year
1997	1998	1999	2000	2001
2002	2003	2004	2005	2006

2.5L4-100



<p>2.5L4-200 Cylinder Head</p>	<p>2.5L4-300 Cylinder Block</p>	<p>2.5L4-400 Crankshaft, Piston and Drive Plate</p>	<p>2.5L4-500 Camshafts & Valves</p>
<p>2.5L4-600 Timing Belt and Cover</p>	<p>2.5L4-700 Engine Oiling</p>	<p>2.5L4-800 Manifolds</p>	<p>2.5L4-900 Crankcase Ventilation</p>

**Cylinder Head, 2.5 (EPE)
Figure 2.5L4-210**



ITEM	PART NUMBER	QTY	LINE	SERIES	BODY	ENGINE	TRANS	TRIM	DESCRIPTION
NOTE: EP0=All 2.5L Gas Engines DBB=All Manual Transmissions DG0=All Automatic Transmissions									
1	33007 115AB	1				EP0			HEAD, Cylinder
2	3300 7142	4				EP0			SEAT, Exhaust Valve
3	J317 2319	4				EP0			PLUG, Cylinder Block Oil Hole
4	J310 5394	1				EP0			PLUG, Cylinder Block Oil Hole
5	J317 2318	2				EP0, ER0			DOWEL, Cylinder Head To Intake
6	6036 193AA	2				EP0, ER0			STUD, .375-16/.375-24x1.75
7	53009 549AB	1				EP0			GASKET, Cylinder Head
8	6035 514	5				EP0			BOLT, Cylinder Head
9	4798 992AD	1				EP0			GASKET PACKAGE, Engine
10	6035 516	4				EP0			STUD, Double Ended, .50-13/.437-14x6.00
11	53010 428AB	1				EP0			COVER, Cylinder Head
12	6035 566	1				EP0			BOLT, Hex Flange Head, .250-20x1.00
13	6035 968AA	10				EP0			STUD, .250-20x2.00
14	5302 0555	1				EP0			CAP, Oil Filler
15									SEALANT, RTV, RTV Sealant, (NOT SERVICED) (Not Serviced)

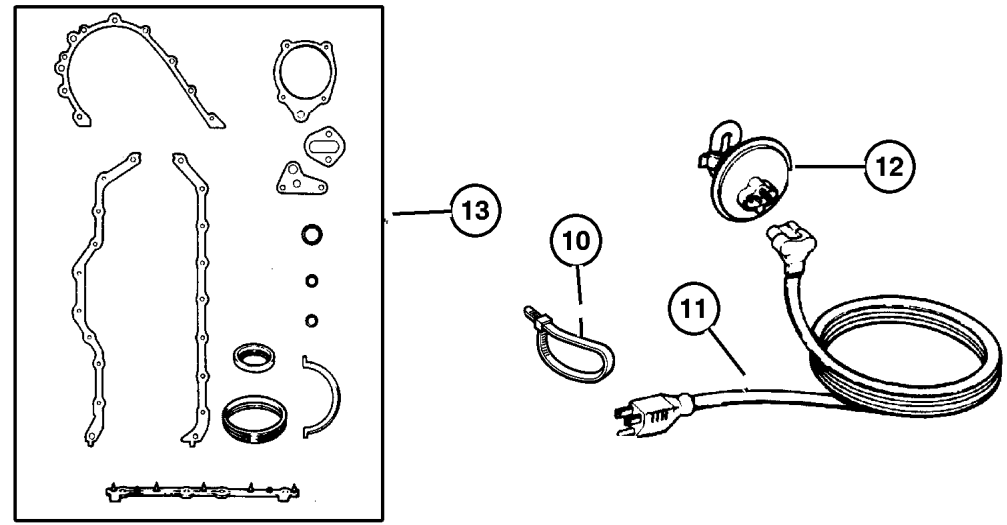
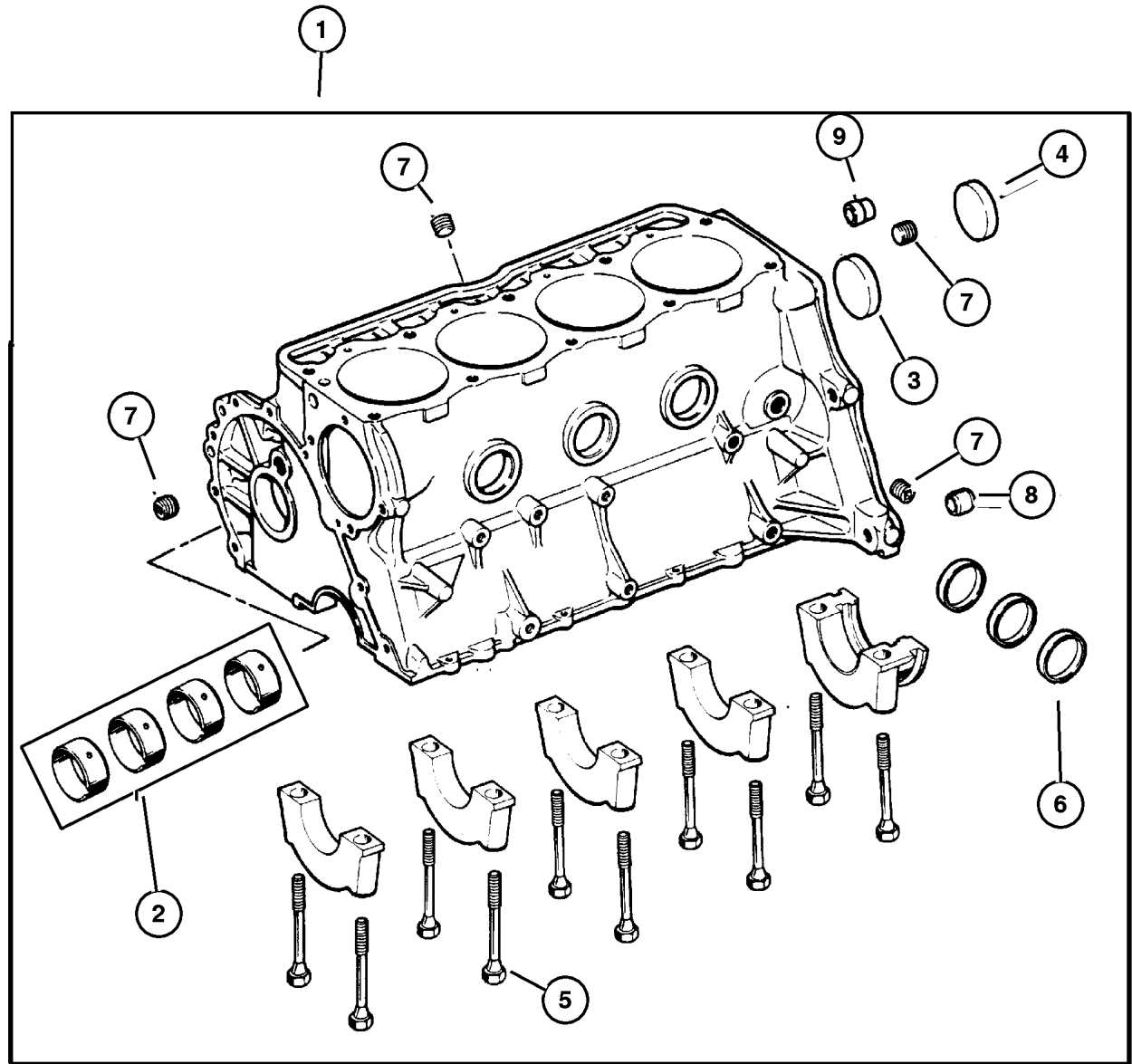
JEEP WRANGLER (TJ)				
SERIES	LINE	BODY	ENGINE	TRANSMISSION
H = Sport	J = Wrangler 4WD	77 = 93.4 WB	EPE, EP0 = 2.5L Power Tech	DGG, DGD = 32RH 3 Spd. Auto.
L = SE	U = Wrangler 4WD (RHD)		ERH, ER0 = 4.0L Power Tech	DDQ = 5 Spd. Manual
M = X				DDD = 5 Speed HD Manual
P = Sahara				DG0 = Auto. Trans.
				DBB = Manual Trans.

AR = Use as required - = Non illustrated part # = New this model year

January 26, 2004

**Cylinder Block, 2.5 (EPE)
Figure 2.5L4-310**

ITEM	PART NUMBER	QTY	LINE	SERIES	BODY	ENGINE	TRANS	TRIM	DESCRIPTION
NOTE: Packages Do Not Contain Gaskets For All Required Sealing. R.T.V. Sealer And Gasket Eliminator Must Also Be Used.									
NOTE: EP0=All 2.5L Gas Engines DBB=All Manual Transmissions DGO=All Automatic Transmissions									
1	4856 744	1				EP0			BLOCK, Short
2	4636 985AB	1				EP0			BEARING PACKAGE, Camshaft, Standard Size
3	J317 2313	1				EP0			PLUG, Camshaft
4	J310 5394	1				EP0			PLUG, Cylinder Block Oil Hole
5	J400 6948	10				EP0			BOLT, Hex Head, .50-13x2.97
6	J400 6580	3				EP0			PLUG, Cylinder Block Oil Hole
7	6034 166	3				EP0			PLUG, Cylinder Block Oil Hole
8	J400 6953	1				EP0			DOWEL, Block To Cylinder Head
9	J324 1332	1				EP0			DOWEL, Clutch Housing To Block
10	4641 780	3				EP0,			STRAP, Tie
11	5601 6834	1				ER0			CORD, Engine Block Heater
12	8220 1505	1				EP0			HEATER PACKAGE, Engine Block
13	4713 023AD	1				EP0			GASKET PACKAGE, Engine

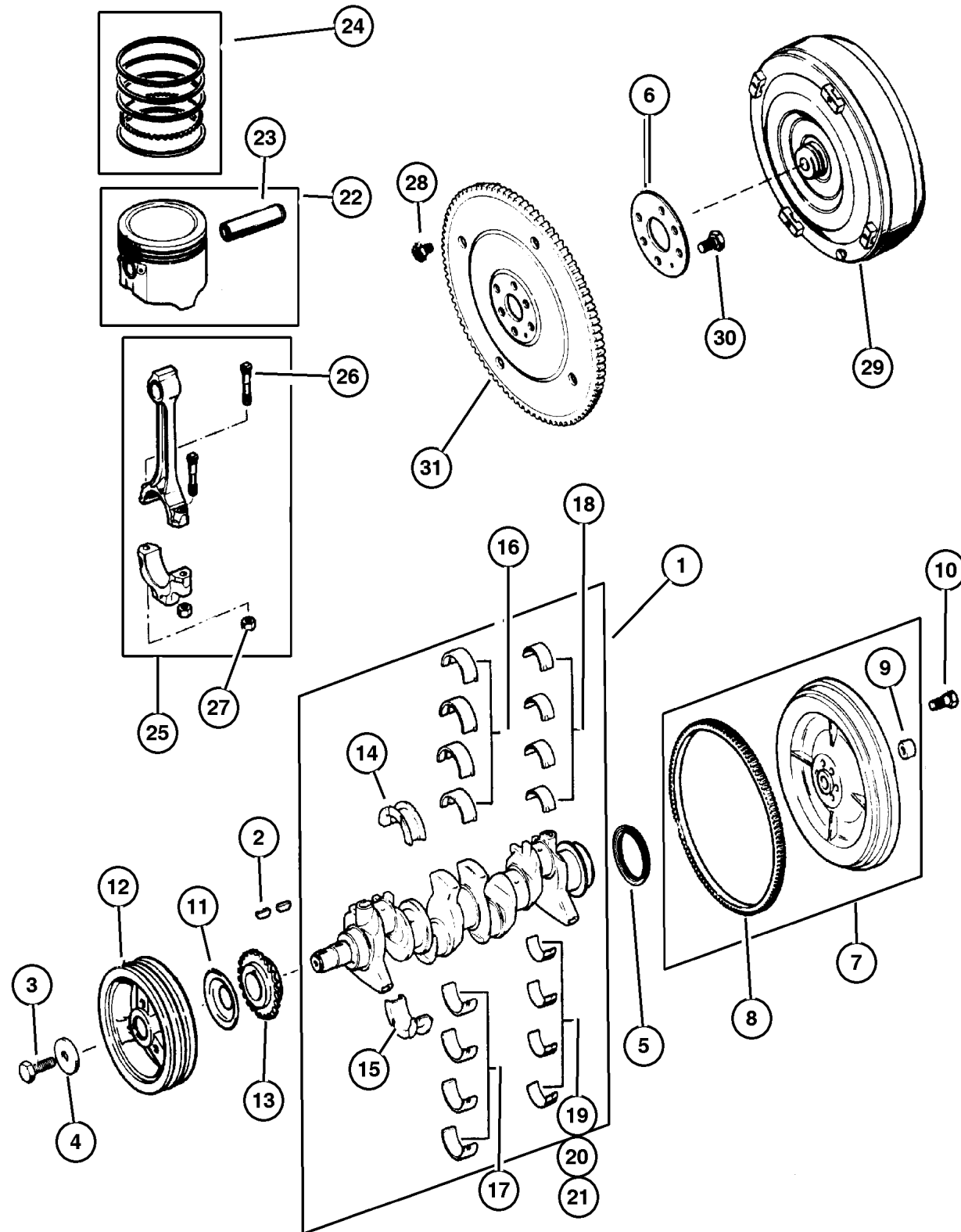


JEEP WRANGLER (TJ)				
SERIES	LINE	BODY	ENGINE	TRANSMISSION
H = Sport	J = Wrangler 4WD	77 = 93.4 WB	EPE, EP0 = 2.5L Power Tech	DGG, DGD = 32RH 3 Spd. Auto.
L = SE	U = Wrangler 4WD (RHD)		ERH, ER0 = 4.0L Power Tech	DDQ = 5 Spd. Manual
M = X				DDD = 5 Speed HD Manual
P = Sahara				DGO = Auto. Trans.
				DBB = Manual Trans.

AR = Use as required - = Non illustrated part # = New this model year

January 26, 2004

Crankshaft, Piston and Torque Converter, 2.5 (EPE)
Figure 2.5L4-410



ITEM	PART NUMBER	QTY	LINE	SERIES	BODY	ENGINE	TRANS	TRIM	DESCRIPTION
NOTE:[EP0]=All 2.5L Gas Engines [DBB]=All Manual Transmissions [DG0]=All Automatic Transmissions [DGD]=3 Speed									
Automatic Transmissions									
1	4713 051AB	1				EP0			CRANKSHAFT
2	6034 749	1				EP0, ER0			KEY, Crankshaft Sprocket
3	0182 776	1				EP0, ER0			BOLT
4	J323 0155	1				EP0, ER0			WASHER, Plain
5	3300 4143	1				EP0			SEAL, Rear Main Crankshaft
6	5211 7830	1				EP0	DG0		ADAPTER, Torque Converter
7	5302 0578	1				EP0	DBB		FLYWHEEL
8	J324 1718	1				EP0	DBB		GEAR, Ring
9	53009 180AB	1				ER0	DBB		BEARING, Pilot, For 2.5 Engine, Serviced in Flywheel
10	J400 7123	6				EP0	DBB		BOLT, Flywheel
11									SLINGER, Oil, (NOT REQUIRED)
12	33002 879AB	1				EP0			DAMPER, Crankshaft
13	3300 4020	1				EP0			GEAR, Crankshaft
14	8350 7084	1				EP0, ER0			BEARING PACKAGE, Crankshaft Thrust, Standard Size
15	8350 7086	AR				EP0, ER0			BEARING PACKAGE, Crankshaft Thrust, .001" Undersize
16	8350 7079	4				EP0			BEARING PACKAGE, Crankshaft, Standard
17	8350 7080	AR				EP0, ER0			BEARING PACKAGE, Crankshaft, .001 Undersize
18	83500 300AB	4				EP0			BEARING KIT, Connecting Rod, Standard
19	83501 397AB	AR				EP0, ER0			BEARING KIT, Connecting Rod, .001 Undersize
20	83500 301AB	AR				EP0, ER0			BEARING PACKAGE, Connecting Rod, .010 Undersize
21	8350 7081	AR				EP0, ER0			BEARING PACKAGE, Crankshaft, .002" U/S
22									PISTON PIN AND ROD
	4798 329AC	4				EP0			B Size 3.8742
	4798 333AC	6				ER0			F Size 3.8758
	4798 329AC	6				ER0			B Size 3.8742
	4798 330AC	4				EP0			C Size 3.8746
		6				ER0			C Size 3.8746
	4798 331AC	4				EP0			D Size 3.8750

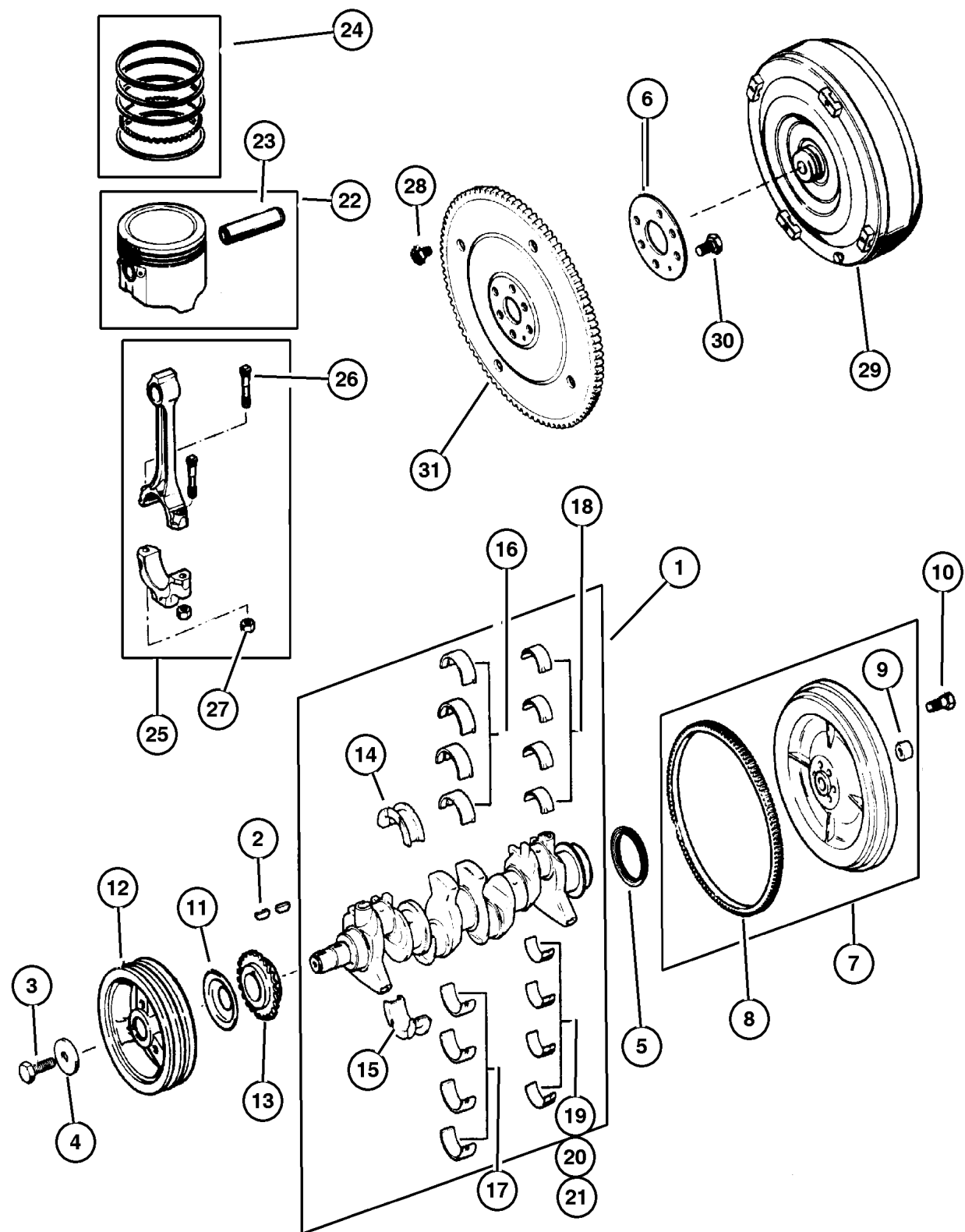
JEEP WRANGLER (TJ)

SERIES	LINE	BODY	ENGINE	TRANSMISSION
H = Sport	J = Wrangler 4WD	77 = 93.4 WB	EPE, EP0 = 2.5L Power Tech	DGG, DGD = 32RH 3 Spd. Auto.
L = SE	U = Wrangler 4WD (RHD)		ERH, ER0 = 4.0L Power Tech	DDQ = 5 Spd. Manual
M = X				DDD = 5 Speed HD Manual
P = Sahara				DG0 = Auto. Trans.
				DBB = Manual Trans.

AR = Use as required - = Non illustrated part # = New this model year

January 26, 2004

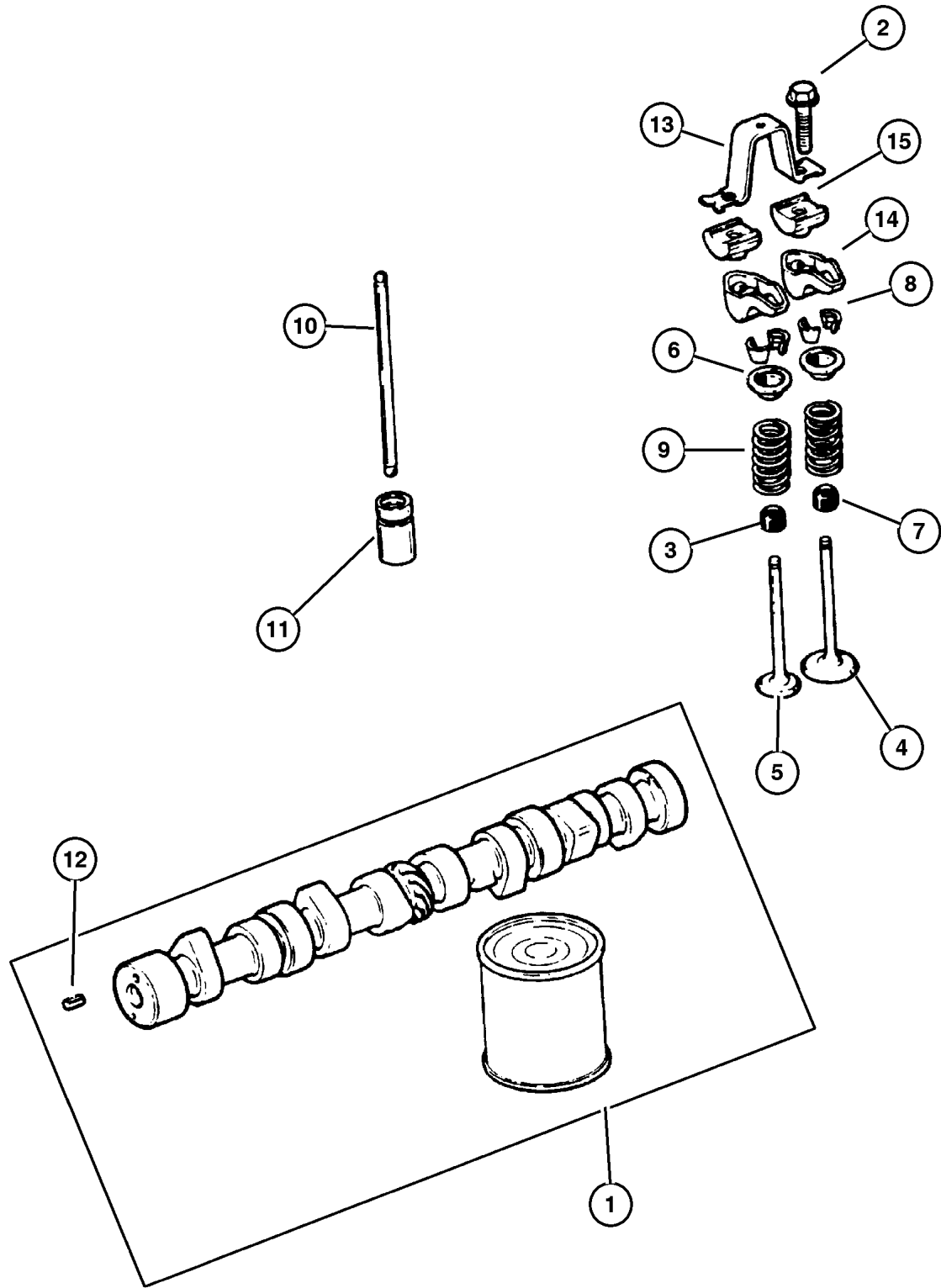
**Crankshaft, Piston and Torque Converter, 2.5 (EPE)
Figure 2.5L4-410**



ITEM	PART NUMBER	QTY	LINE	SERIES	BODY	ENGINE	TRANS	TRIM	DESCRIPTION
		6				ER0			D Size 3.8750
	4798 332AC	4				EP0			E Size 3.8754
		6				ER0			E Size 3.8754
	4798 333AC	4				EP0			F Size 3.8758
23									PIN, Piston, Serviced in Piston Assembly, (NOT SERVICED) (Not Serviced)
24	4798 324	1				EP0			RING PACKAGE, Piston, Standard Size Complete Engine
25									ROD, Connecting, Serviced in Piston Assembly, (NOT SERVICED) (Not Serviced)
26	5302 0123	8				EP0			BOLT, Connecting Rod
27	J400 6385	8				EP0			NUT, Hex Flange, .3437-24
28	6504 383	4	J				DGD		BOLT, Hex Head, M10x1.50 x 13.20
29	R4736 388AB	1	J			EP0	DGD		CONVERTER, Torque
30	6034 780	6				EP0	DG0		BOLT, Hex Head, .437-24x1.20
31	5210 4139	1				EP0	DG0		PLATE, Torque Converter Drive

JEEP WRANGLER (TJ)
 SERIES LINE BODY ENGINE TRANSMISSION
 H = Sport J = Wrangler 4WD 77 = 93.4 WB EPE, EP0 = 2.5L Power Tech DGG, DGD = 32RH 3 Spd. Auto.
 L = SE U = Wrangler 4WD (RHD) ERH, ER0 = 4.0L Power Tech DDQ = 5 Spd. Manual
 M = X DDD = 5 Speed HD Manual
 P = Sahara DG0 = Auto. Trans.
 DBB = Manual Trans.

**Camshaft and Valves, 2.5 (EPE)
Figure 2.5L4-510**



ITEM	PART NUMBER	QTY	LINE	SERIES	BODY	ENGINE	TRANS	TRIM	DESCRIPTION
NOTE: EP0=All 2.5L Gas Engines									
1	5302 0497	1				EP0			CAMSHAFT, Engine
2	J942 5708	8				EP0			BOLT, Hex Flange Head, .312-18x1.25
3	5300 9887	4				EP0			SEAL, Valve Guide, Exhaust
4	53010 512AA	4				EP0			VALVE, Intake, Standard
5	53010 513AA	4				EP0			VALVE, Exhaust, Standard
6	53010 514AA	8				EP0			RETAINER, Valve Spring
7	5300 9886	4				EP0			SEAL, Valve Guide, Intake
8	53010 515AA	16				EP0			LOCK, Valve Spring Retainer
9	5301 0388	8				EP0			SPRING, Valve
10	J324 1709	8				EP0			PUSH ROD, Valve
11	53010 574AA	8				EP0			TAPPET, Valve
12	J045 6384	1				EP0			DOWEL, Camshaft Sprocket
13	J323 6513	4				EP0			BRIDGE, Rocker Arm
14	J324 2393	8				EP0			ROCKER ARM, Valve
15	J323 5090	8				EP0			PIVOT, Rocker Arm

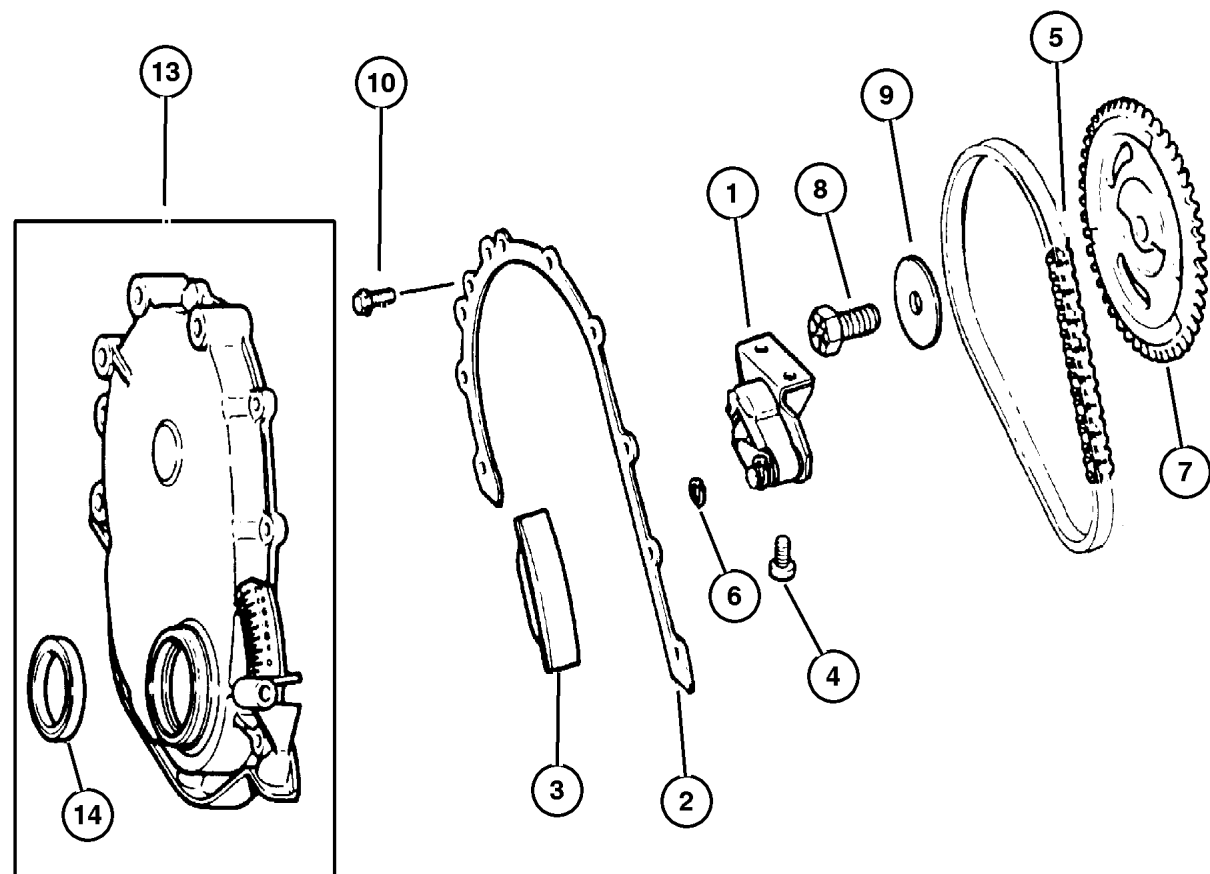
JEEP WRANGLER (TJ)

SERIES	LINE	BODY	ENGINE	TRANSMISSION
H = Sport	J = Wrangler 4WD	77 = 93.4 WB	EPE, EP0 = 2.5L Power Tech	DGG, DGD = 32RH 3 Spd. Auto.
L = SE	U = Wrangler 4WD (RHD)		ERH, ER0 = 4.0L Power Tech	DDQ = 5 Spd. Manual
M = X				DDD = 5 Speed HD Manual
P = Sahara				DG0 = Auto. Trans.
				DBB = Manual Trans.

AR = Use as required - = Non illustrated part # = New this model year

January 26, 2004

Timing Cover, 2.5 (EPE)
Figure 2.5L4-610



ITEM	PART NUMBER	QTY	LINE	SERIES	BODY	ENGINE	TRANS	TRIM	DESCRIPTION
NOTE: EP0=All 2.5L Gas Engines									
1	3300 3421	1				EP0			TENSIONER, Belt
2	5302 0487	1				EP0			GASKET, Front Cover
3	3300 3446	1				EP0, ER0			SNUBBER, Timing Chain
4	J400 6708	2				EP0			SCREW, Pan Head, .312-18x.56
5	J324 2300	1				EP0			CHAIN, Timing
6									CLIP, Serviced in Tensioner Assembly, (NOT SERVICED) (Not Serviced)
7	J324 2280	1				EP0			GEAR, Camshaft
8	J324 3156	1				EP0			BOLT, Hex Flange Head, .50-20x1.38
9	J317 3284	1				EP0			WASHER, Flat, .206 Diameter
10	6035 893	5				EP0, ER0			BOLT, Hex
-11	6035 894	2				EP0, ER0			SCREW
-12	6035 895	1				EP0			SCREW
13	5302 0222	1				EP0			COVER, Timing Belt
14	3300 4681	1				EP0			SEAL, Front Main Crankshaft

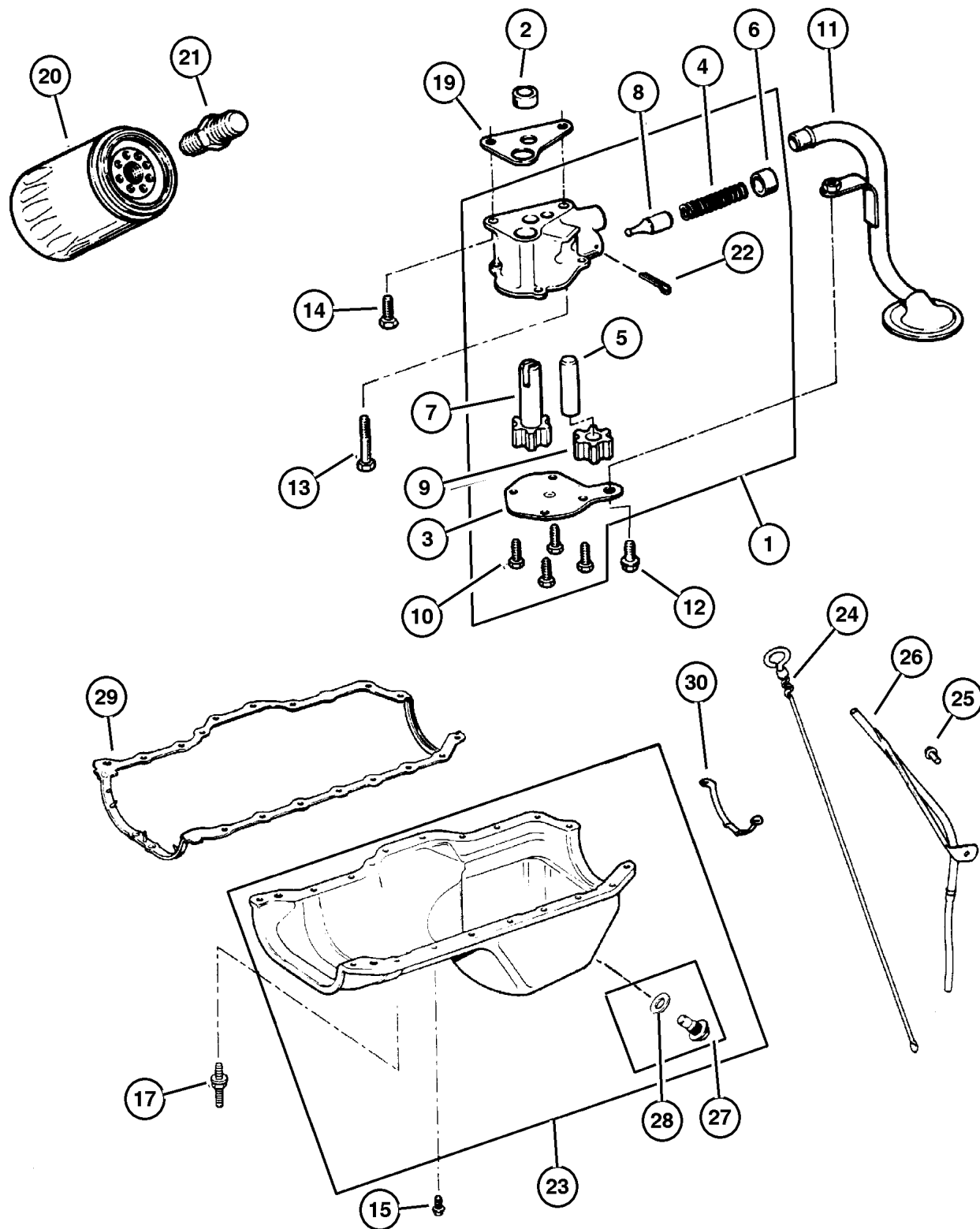
JEEP WRANGLER (TJ)

SERIES	LINE	BODY	ENGINE	TRANSMISSION
H = Sport	J = Wrangler 4WD	77 = 93.4 WB	EPE, EP0 = 2.5L Power Tech	DGG, DGD = 32RH 3 Spd. Auto.
L = SE	U = Wrangler 4WD (RHD)		ERH, ER0 = 4.0L Power Tech	DDQ = 5 Spd. Manual
M = X				DDD = 5 Speed HD Manual
P = Sahara				DG0 = Auto. Trans.
				DBB = Manual Trans.

AR = Use as required - = Non illustrated part # = New this model year

January 26, 2004

**Engine Oiling, 2.5 (EPE)
Figure 2.5L4-710**



ITEM	PART NUMBER	QTY	LINE	SERIES	BODY	ENGINE	TRANS	TRIM	DESCRIPTION
Note:[EP0]= All 2.5L 4 Cylinder Gas Engines									
[ER0]= All 4.0L 6 Cylinder Gas Engines									
1	J324 1399	1				EP0			PUMP, Engine Oil
2	J400 5149	1				EP0, ER0			DOWEL, Oil Pump
3	J324 1733	1				EP0			COVER, Engine Oil Pump
4	J323 9668	1				EP0			SPRING, Oil Pressure Relief Valve
5	J317 1956	1				EP0			SHAFT, Oil Pump
6	J317 1958	1				EP0			RETAINER, Oil Release Valve
7	J317 2334	1				EP0			GEAR, Oil Pump
8	J318 8661	1				EP0			PLUNGER, Oil Pressure Relief Valve
9	J319 6843	1				EP0			GEAR, Oil Pump Driven
10	J941 6852	4				EP0			SCREW, Hex Flange Head, .25-20x. 50
11	5302 0564	1				EP0			TUBE, Oil Pump Inlet
12									BOLT, .312-18x.625, (NOT SERVICED) (Not Serviced)
13	0154 593	1				EP0, ER0			SCREW, Hex Head Coned, .312- 18x2.625
14	6022 235	1				EP0, ER0			BOLT AND WASHER, Hex Head, .312-18x1.00
15	6034 732	13				EP0			SCREW AND WASHER, Hex Head, .25-20x.545
-16	6034 483	3				EP0			SCREW, Hex Head Coned, .312- 18x.875
17	6034 734	6				EP0			BOLT, Double Stud Hex, .250-20x1. 437 & .250-20 x.700
-18	6034 733	1				EP0			STUD, .312-18/.250-20x1.680
19	J317 2332	1				EP0, ER0			GASKET, Oil Pump
20	5281 090	1				EP0, ER0			FILTER, Engine Oil
21	5300 7563	1				EP0, ER0			CONNECTOR, Oil Filter
22	J027 1448	1				EP0			PIN, Roll, 5/32" x 1.00"
23	5302 0560	1				EP0			PAN, Engine Oil
24	53010 444AB	1				EP0			INDICATOR, Engine Oil Level
25	6035 664	1				EP0, ER0			STUD, .312-18x1.560
26	5301 0343	1				EP0			TUBE, Oil Filler
27	6035 417	1				EP0			PLUG, Oil Drain

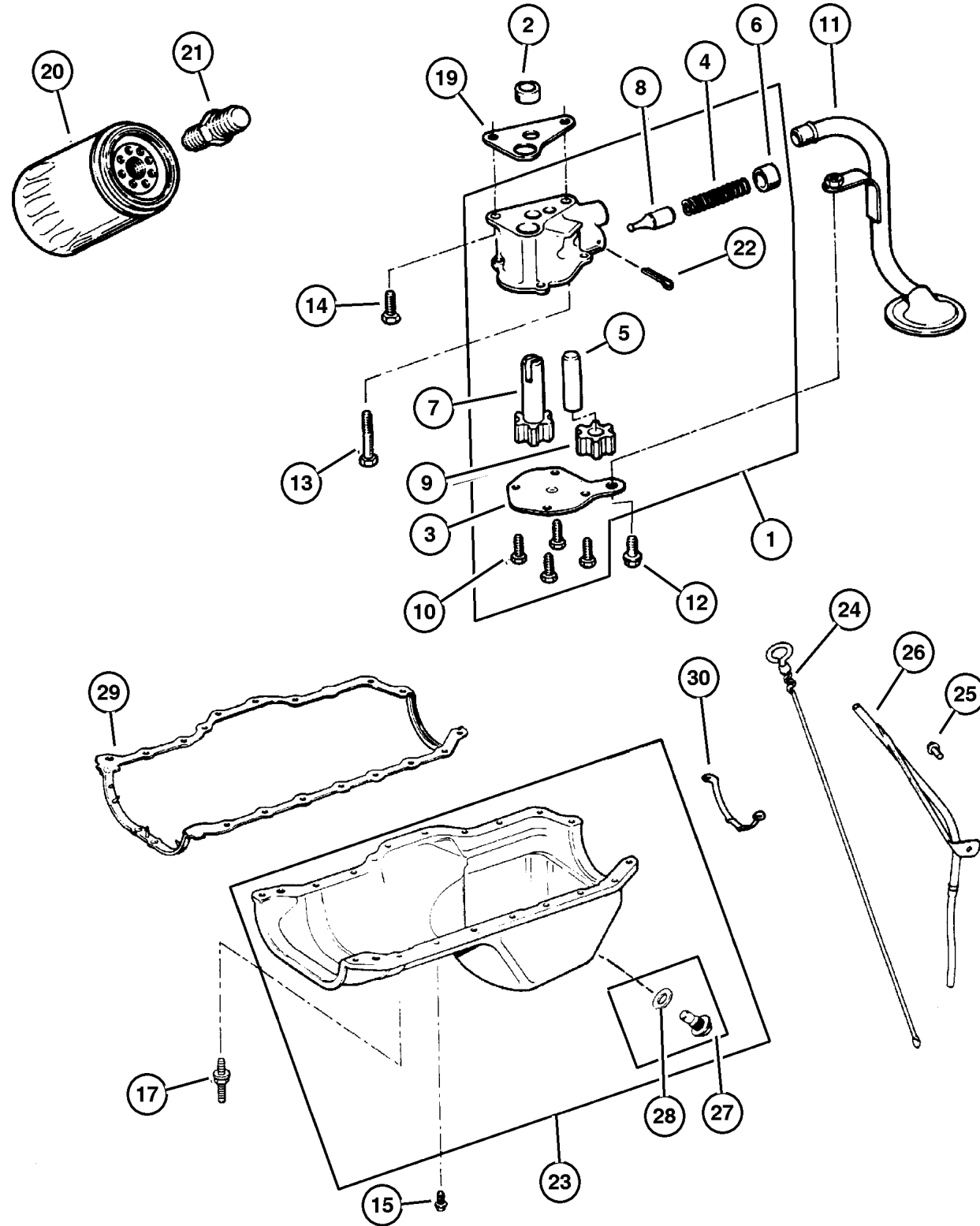
JEEP WRANGLER (TJ)

SERIES	LINE	BODY	ENGINE	TRANSMISSION
H = Sport	J = Wrangler 4WD	77 = 93.4 WB	EPE, EP0 = 2.5L Power Tech	DGG, DGD = 32RH 3 Spd. Auto.
L = SE	U = Wrangler 4WD (RHD)		ERH, ER0 = 4.0L Power Tech	DDQ = 5 Spd. Manual
M = X				DDD = 5 Speed HD Manual
P = Sahara				DG0 = Auto. Trans.
				DBB = Manual Trans.

AR = Use as required - = Non illustrated part # = New this model year

January 26, 2004

Engine Oiling, 2.5 (EPE)
Figure 2.5L4-710



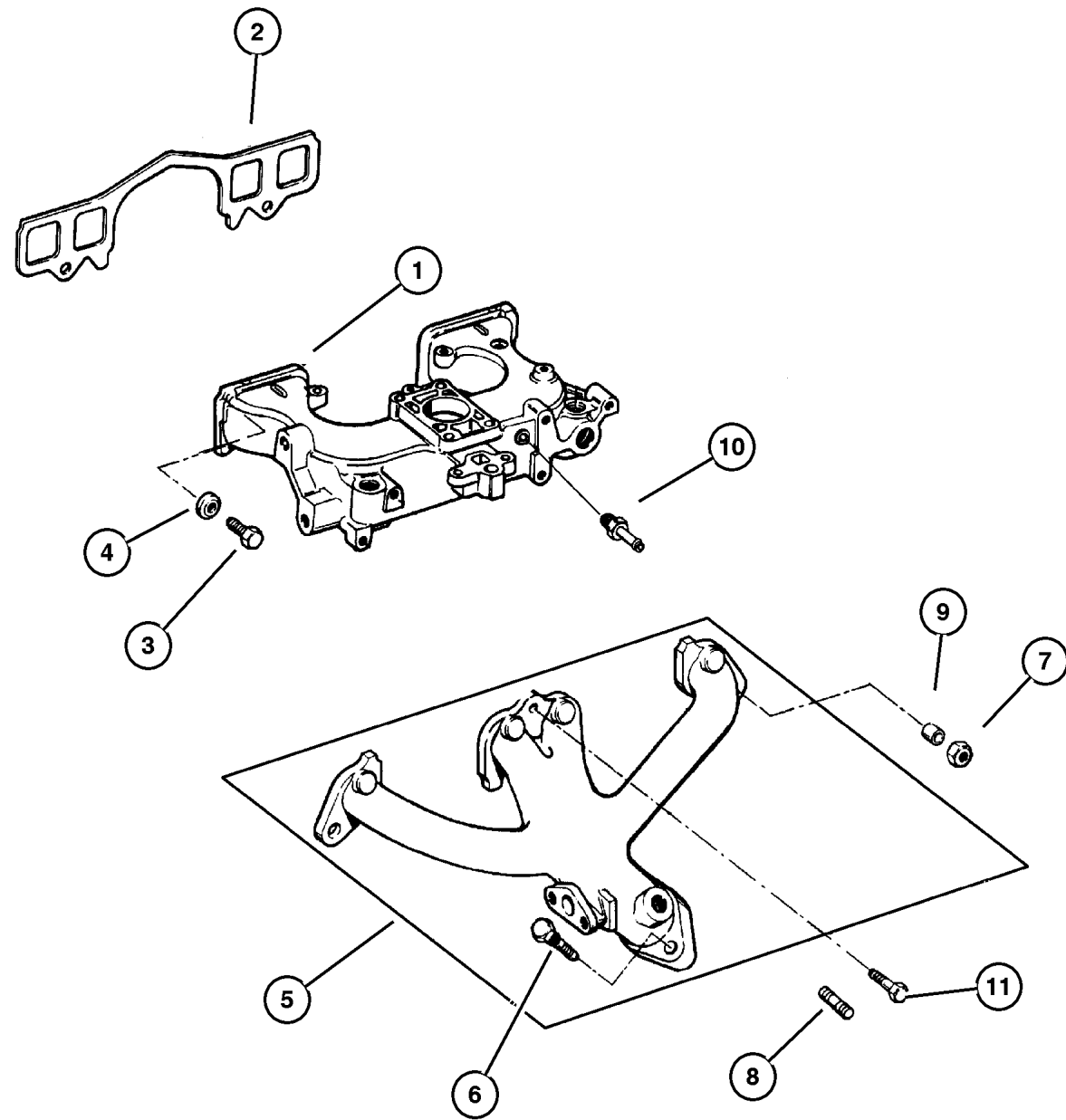
ITEM	PART NUMBER	QTY	LINE	SERIES	BODY	ENGINE	TRANS	TRIM	DESCRIPTION
28									GASKET, Oil Drain Plug, Serviced in Plug, (NOT SERVICED) (Not Serviced)
29	5300 7567	1				EPO			GASKET, Oil Pan
30	53010 511AA	1				ER0			SUPPORT, Engine Oil Pan

JEEP WRANGLER (TJ)			
SERIES	LINE	BODY	ENGINE
H = Sport	J = Wrangler 4WD	77 = 93.4 WB	EPE, EP0 = 2.5L Power Tech
L = SE	U = Wrangler 4WD (RHD)		ERH, ER0 = 4.0L Power Tech
M = X			
P = Sahara			
			TRANSMISSION
			DGG, DGD = 32RH 3 Spd. Auto.
			DDQ = 5 Spd. Manual
			DDD = 5 Speed HD Manual
			DG0 = Auto. Trans.
			DBB = Manual Trans.

AR = Use as required - = Non illustrated part # = New this model year

January 26, 2004

**Manifold, Intake and Exhaust, 2.5 (EPE)
Figure 2.5L4-810**



ITEM	PART NUMBER	QTY	LINE	SERIES	BODY	ENGINE	TRANS	TRIM	DESCRIPTION
NOTE: EP0=All 2.5L Gas Engines, ERO= All 4.0L Gas Engines									
1	5301 0245	1				EP0			MANIFOLD, Intake
2	5302 0112	1				EP0			GASKET, Intake Manifold
3	6036 045AA	4				EP0			BOLT AND RETAINER, Hex Head
4	6036 171AA	2				EP0, ER0			NUT AND WASHER
5	5300 8860	1				EP0			MANIFOLD, Exhaust
6	J400 7109	2				EP0			STUD, .375-16x1.69
7	6036 171AA	2				EP0, ER0			NUT AND WASHER
8	6036 193AA	2				EP0, ER0			STUD, .375-16/.375-24x1.75
9	3300 3332	2				EP0			SPACER, Exhaust Manifold
10	4854 194	1				EP0			FITTING, Vacuum
11	6036 045AA	1				EP0, ER0			BOLT AND RETAINER, Hex Head

JEEP WRANGLER (TJ)				TRANSMISSION
SERIES	LINE	BODY	ENGINE	DGG, DGD = 32RH 3 Spd. Auto.
H = Sport	J = Wrangler 4WD	77 = 93.4 WB	EPE, EP0 = 2.5L Power Tech	DDQ = 5 Spd. Manual
L = SE	U = Wrangler 4WD (RHD)		ERH, ER0 = 4.0L Power Tech	DDD = 5 Speed HD Manual
M = X				DG0 = Auto. Trans.
P = Sahara				DBB = Manual Trans.

AR = Use as required - = Non illustrated part # = New this model year

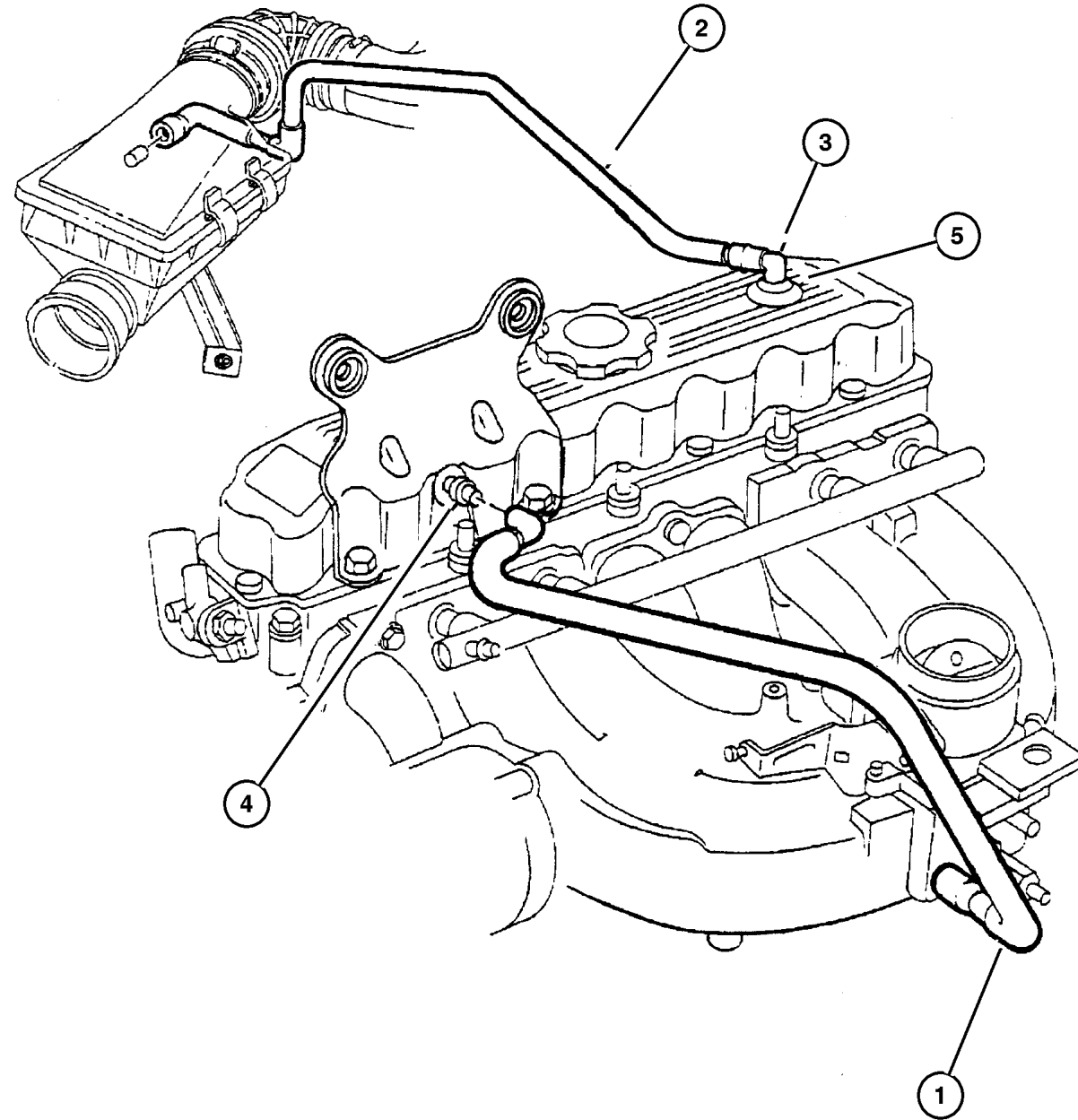
January 26, 2004

**Crankcase Ventilation, 2.5 (EPE)
Figure 2.5L4-910**

ITEM	PART NUMBER	QTY	LINE	SERIES	BODY	ENGINE	TRANS	TRIM	DESCRIPTION
------	-------------	-----	------	--------	------	--------	-------	------	-------------

NOTE: EP0=All 2.5L Gas Engines

1	4854 072	1				EP0			TUBE, Vent
2	5303 0614	1				EP0			TUBE, Crankcase Vent Valve
3	5303 0497	1				EP0, ER0			FITTING, Crankcase Vent Tube
4	3300 4175	1				EP0			CONNECTOR, Vacuum Hose
5	2946 079	1				EP0			GROMMET, Crankcase Vent



JEEP WRANGLER (TJ)

SERIES	LINE	BODY	ENGINE	TRANSMISSION
H = Sport	J = Wrangler 4WD	77 = 93.4 WB	EPE, EP0 = 2.5L Power Tech	DGG, DGD = 32RH 3 Spd. Auto.
L = SE	U = Wrangler 4WD (RHD)		ERH, ER0 = 4.0L Power Tech	DDQ = 5 Spd. Manual
M = X				DDD = 5 Speed HD Manual
P = Sahara				DG0 = Auto. Trans.
				DBB = Manual Trans.

AR = Use as required - = Non illustrated part # = New this model year

January 26, 2004

Group – 4.0L

Engine 4.0L Six Cylinder

GROUP 4.0L - Engine 4.0L Six Cylinder

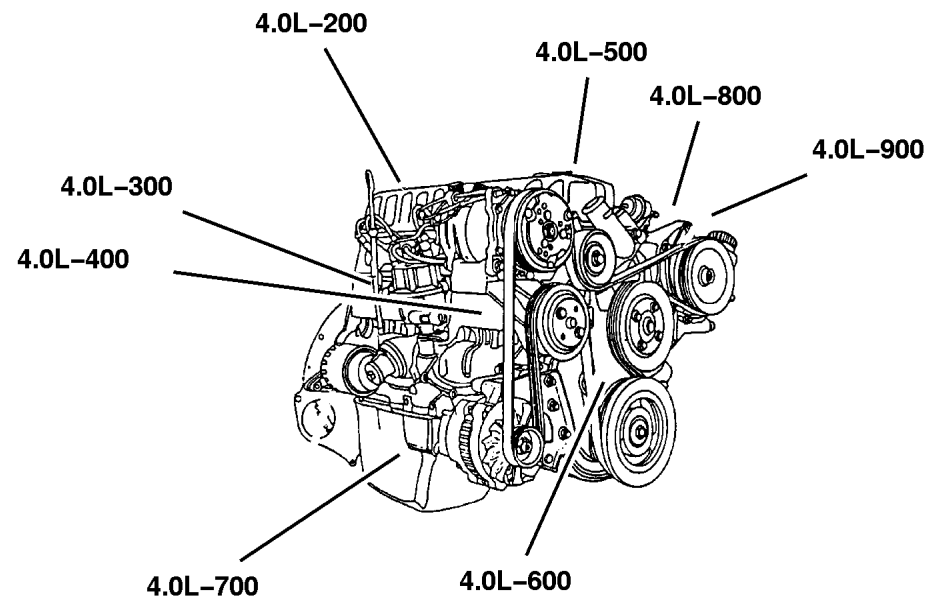


Illustration Title

Group-Fig. No.

Cylinder Head

Cylinder Head, 4.0 (ERH) Fig. 4.0L-210

Cylinder Block

Cylinder Block, 4.0 (ERH) Fig. 4.0L-310

Crankshaft, Piston and Torque Converter

Crankshaft, Piston and Torque Converter, 4.0 (ERH) Fig. 4.0L-410

Camshafts & Valves

Camshaft and Valves, 4.0 (ERH) Fig. 4.0L-510

Timing Belt and Cover

Timing Cover, 4.0 (ERH) Fig. 4.0L-610

Engine Oiling

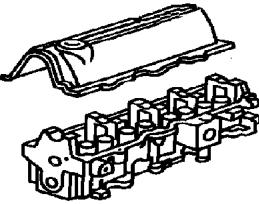
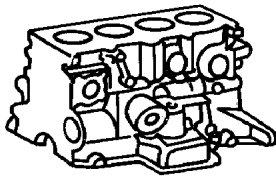
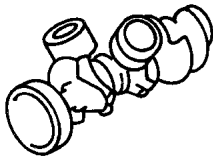
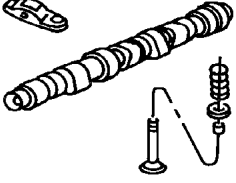
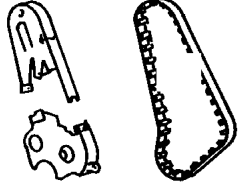
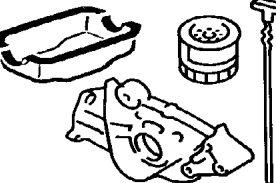
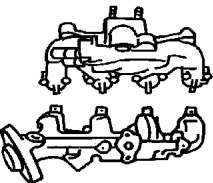
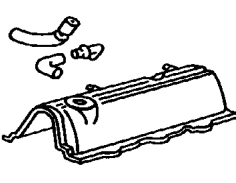
Engine Oiling, 4.0 (ERH) Fig. 4.0L-710

Manifolds

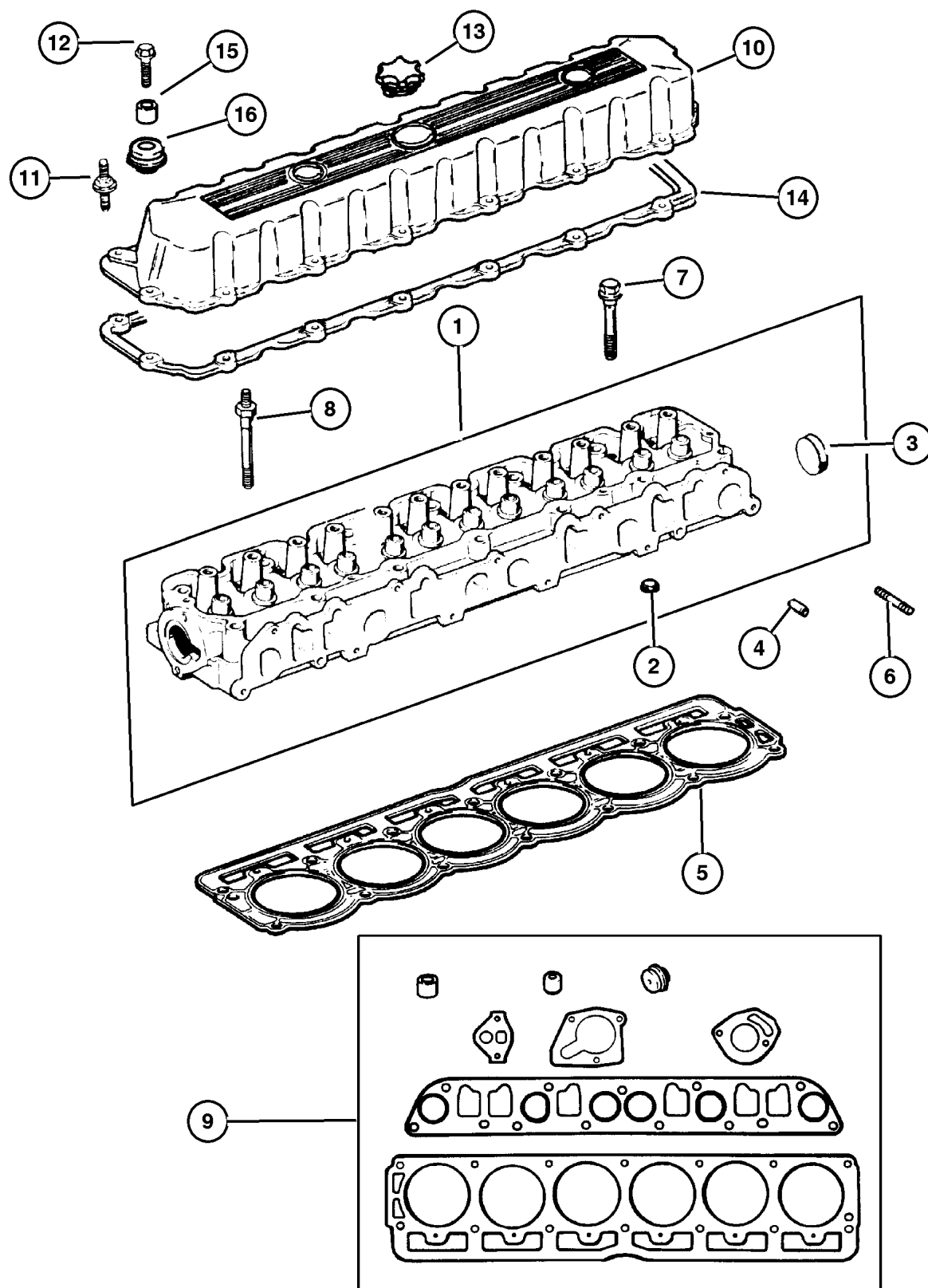
Manifold, Intake and Exhaust Fig. 4.0L-810

Crankcase Ventilation

Crankcase Ventilation, 4.0 (ERH) Fig. 4.0L-910

<p>4.0L-200 Cylinder Head</p> 	<p>4.0L-300 Cylinder Block</p> 	<p>4.0L-400 Crankshaft, Piston and Torque Converter</p> 	<p>4.0L-500 Camshafts & Valves</p> 
<p>4.0L-600 Timing Belt and Cover</p> 	<p>4.0L-700 Engine Oiling</p> 	<p>4.0L-800 Manifolds</p> 	<p>4.0L-900 Crankcase Ventilation</p> 

**Cylinder Head, 4.0 (ERH)
Figure 4.0L-210**



ITEM	PART NUMBER	QTY	LINE	SERIES	BODY	ENGINE	TRANS	TRIM	DESCRIPTION
NOTE: ER0=All 4.0L Engines DBB=All Manual Transmissions DG0=All Automatic Transmissions									
1	5301 0334	1				ER0			HEAD, Cylinder
2	J400 7434	4				ER0			PLUG, Cylinder Block Oil Hole
3	J310 5394	1				ER0			PLUG, Cylinder Block Oil Hole
4	J317 2318	2				EP0,			DOWEL, Cylinder Head To Intake
5	53020 754AB	1				ER0			GASKET, Cylinder Head
6	6036 193AA	2				EP0,			STUD, .375-16/.375-24x1.75
7						ER0			BOLT, Cylinder Head
	6035 514	5				ER0			
	6035 515	2				ER0			
8	6035 516	6				ER0			STUD, Double Ended, .50-13/.437-14x6.00
9	5012 365AB	1				ER0			GASKET PACKAGE, Engine Upper COVER, Cylinder Head
10	5302 0323	1				ER0			
11	6035 968AA	7				ER0			STUD, .250-20x2.00
12	6035 566	8				ER0			BOLT, Hex Flange Head, .250-20x1.00
13	4777 536	1				ER0			CAP, Oil Filler
14	53020 758AC	1				ER0			GASKET, Valve Cover
15	53020 598AB	15				ER0			SLEEVE, Torque Limiter
16	53010 424AB	15				ER0			GROMMET, Insulator

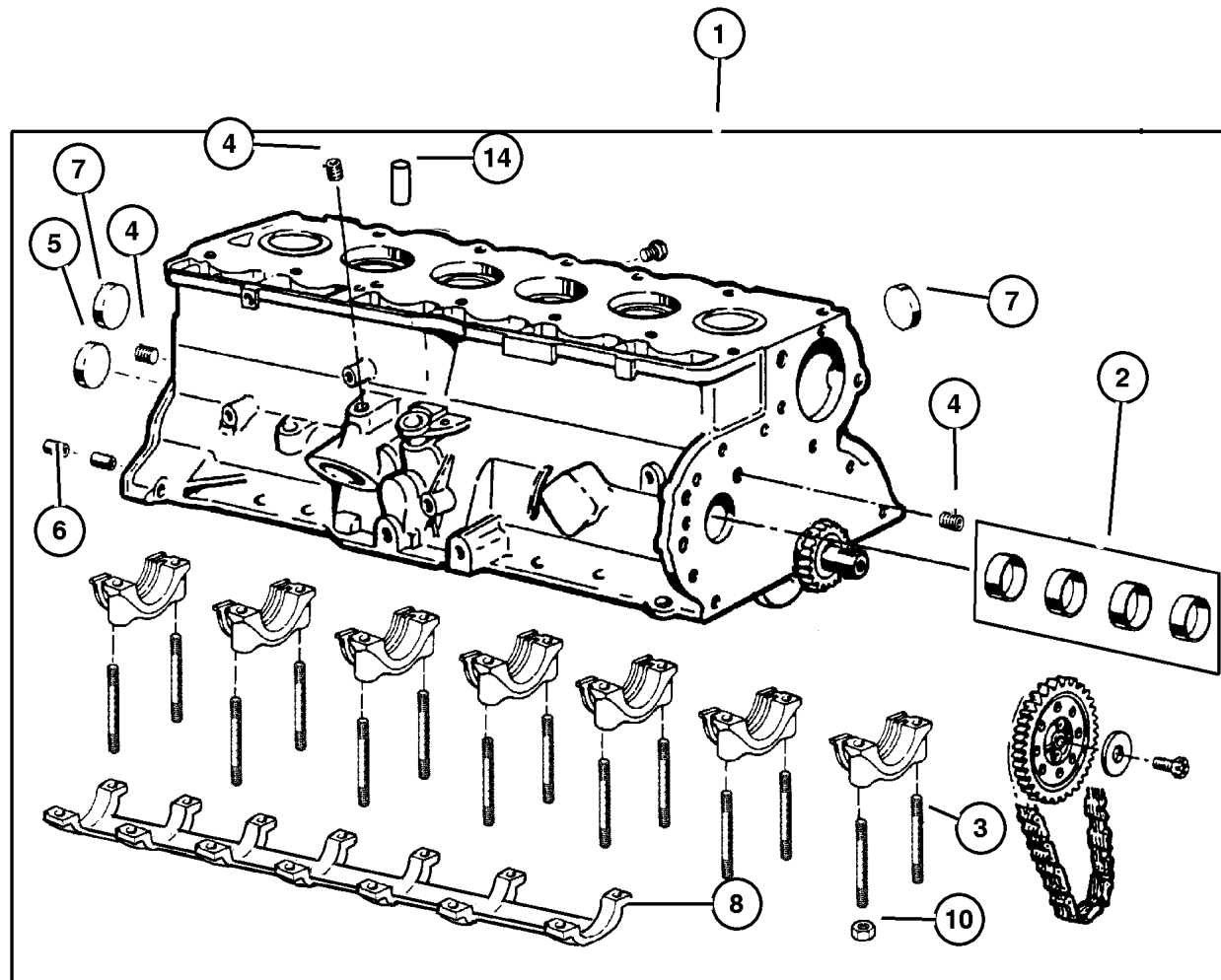
JEEP WRANGLER (TJ)

SERIES	LINE	BODY	ENGINE	TRANSMISSION
H = Sport	J = Wrangler 4WD	77 = 93.4 WB	EPE, EP0 = 2.5L Power Tech	DGG, DGD = 32RH 3 Spd. Auto.
L = SE	U = Wrangler 4WD (RHD)		ERH, ER0 = 4.0L Power Tech	DDQ = 5 Spd. Manual
M = X				DDD = 5 Speed HD Manual
P = Sahara				DG0 = Auto. Trans.
				DBB = Manual Trans.

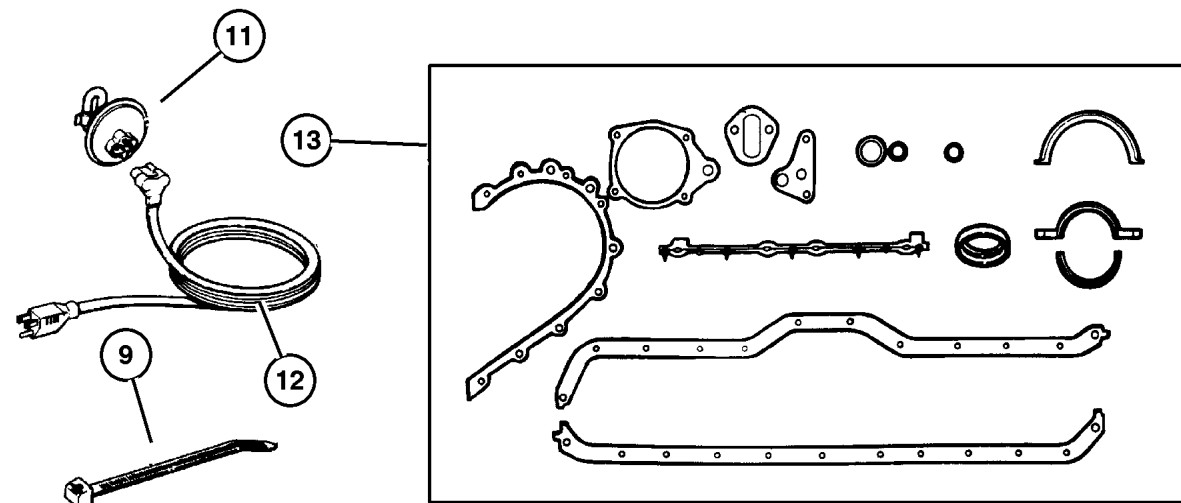
AR = Use as required - = Non illustrated part # = New this model year

January 26, 2004

**Cylinder Block, 4.0 (ERH)
Figure 4.0L-310**



ITEM	PART NUMBER	QTY	LINE	SERIES	BODY	ENGINE	TRANS	TRIM	DESCRIPTION
NOTE: ER0=All 4.0L Engines DBB=All Manual Transmissions DG0=All Automatic Transmissions									
1	5013 161AC	1				ER0			BLOCK, Short, Contains: Crank, Rods, Pistons, Rings, Cam Bearings, Timing Chain, Sprockets
2	4636 985AB	1				ER0			BEARING PACKAGE, Camshaft, Standard Size
3	6035 207	14				ER0			STUD, .500-13/.375-16x3.97
4	6034 166	3				ER0			PLUG, Cylinder Block Oil Hole
	J420 0413	2				EP0, ER0			
5	J317 2313	1				EP0			PLUG, Camshaft
6	J400 5148	2				ER0			DOWEL, Transmission
7	J310 5394	6				ER0			PLUG, Cylinder Block Oil Hole
8	5302 0566	1				ER0			BRACE, Main Bearing Cap
9	4641 780	3				EP0, ER0			STRAP, Tie
10	0152 474	14				ER0			NUT, Hex Flange Lock, .375-16
11	8220 1506	1				ER0			HEATER PACKAGE, Engine Block
12	5601 6834	1				EP0, ER0			CORD, Engine Block Heater
13	5017 432AB	1				ER0			GASKET PACKAGE, Engine Lower
14	0141 215	2				ER0			DOWEL, .312 x .500
-15	5302 0465	1				ER0			PLUG, Cylinder Block, Rubber Style Plug

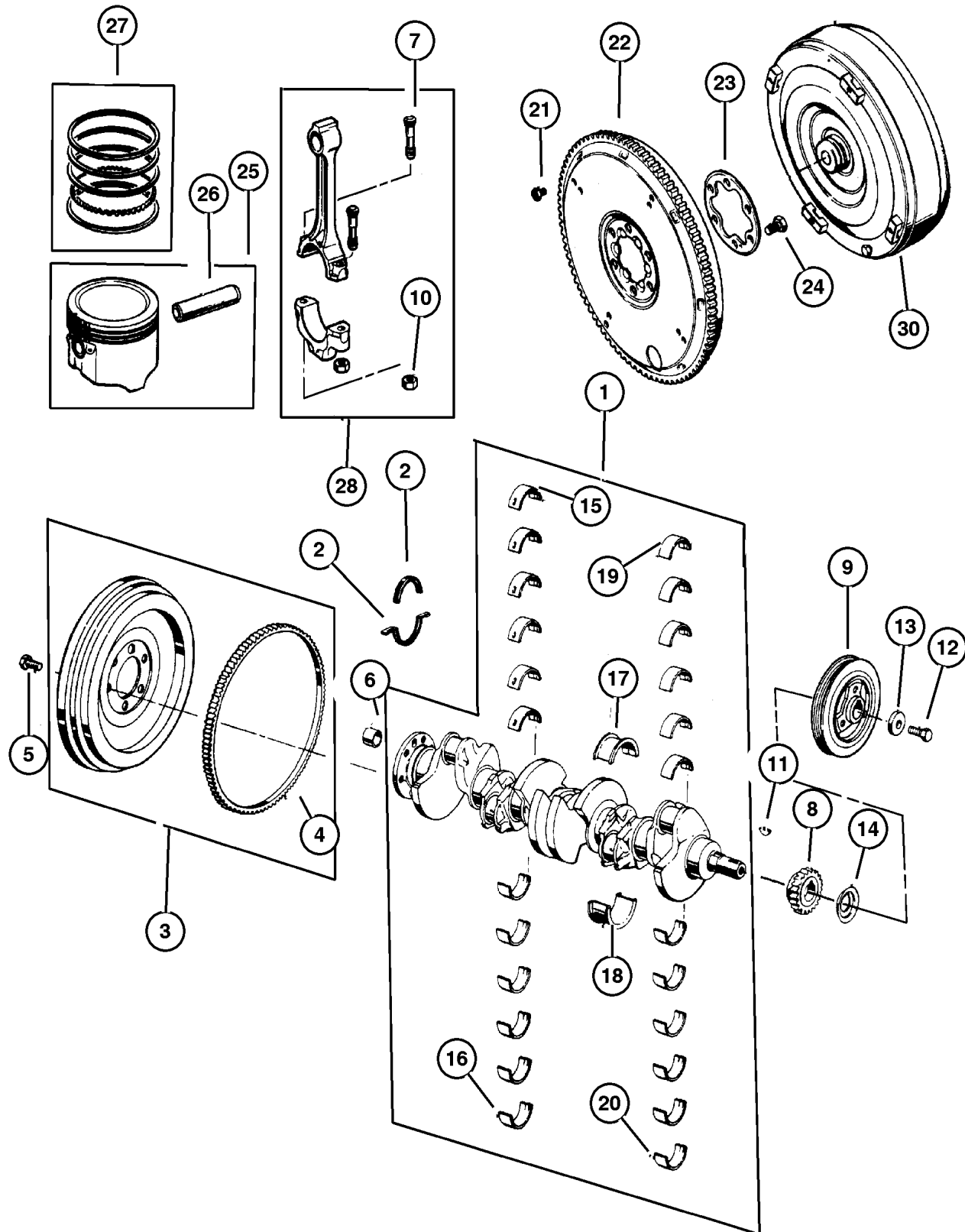


JEEP WRANGLER (TJ)				
SERIES	LINE	BODY	ENGINE	TRANSMISSION
H = Sport	J = Wrangler 4WD	77 = 93.4 WB	EPE, EP0 = 2.5L Power Tech	DGG, DGD = 32RH 3 Spd. Auto.
L = SE	U = Wrangler 4WD (RHD)		ERH, ER0 = 4.0L Power Tech	DDQ = 5 Spd. Manual
M = X				DDD = 5 Speed HD Manual
P = Sahara				DG0 = Auto. Trans.
				DBB = Manual Trans.

AR = Use as required - = Non illustrated part # = New this model year

January 26, 2004

**Crankshaft, Piston and Torque Converter, 4.0 (ERH)
Figure 4.0L-410**



ITEM	PART NUMBER	QTY	LINE	SERIES	BODY	ENGINE	TRANS	TRIM	DESCRIPTION
NOTE: [ER0]=All 4.0L Engines [DBB]=All Manual Transmissions [DG0]=All Automatic Transmissions									
1	4864 726AB	1				ER0			CRANKSHAFT
2	5018 594AA	1				ER0			SEAL PACKAGE, Crankshaft
3	53020 519AB	1				ER0	DBB		FLYWHEEL
4	J317 9741	1				ER0	DBB		GEAR, Ring
5	J317 0524	6				ER0	DBB		BOLT, Flywheel
6	53009 180AB	1				ER0	DBB		BEARING, Pilot, Sleeve and Bearing
7	5302 0123	12				ER0			BOLT, Connecting Rod
8	5302 0443	1				ER0			GEAR, Crankshaft
9	33002 920AB	1				ER0			DAMPER, Crankshaft
10	J400 6385	12				ER0			NUT, Hex Flange, .3437-24
11	6034 749	1				EP0, ER0			KEY, Crankshaft Sprocket
12	0182 776	1				EP0, ER0			BOLT
13	J323 0155	1				EP0, ER0			WASHER, Plain
14									SLINGER, Oil, (NOT REQUIRED)
15	8350 7079	6				ER0			BEARING PACKAGE, Crankshaft, Standard
16	8350 7080	AR				EP0, ER0			BEARING PACKAGE, Crankshaft, .001 Undersize
17	8350 7084	1				EP0, ER0			BEARING PACKAGE, Crankshaft Thrust, Standard Size
18	8350 7086	AR				EP0, ER0			BEARING PACKAGE, Crankshaft Thrust, .001" Undersize
19	83500 300AB	6				ER0			BEARING KIT, Connecting Rod, Standard
20	83501 397AB	AR				EP0, ER0			BEARING KIT, Connecting Rod, .001 Undersize
21	1949 765	4				ER0	DG0		SCREW, Hex Head Header Point, .312-24x.44
22	5211 8257	1				ER0	DG0		PLATE, Drive Plate
23	J321 4094	1				ER0	DG0		PLATE, Drive Plate Backing
24	J315 1407	6				ER0	DG0		BOLT, Hex Head, .50-20x.56
25									PISTON PIN AND ROD
	4798 329AC	6				ER0			B Size 3.8742
	4798 330AC	6				ER0			C Size 3.8746
	4798 331AC	6				ER0			D Size 3.8750
	4798 332AC	6				ER0			E Size 3.8754
	4798 333AC	6				ER0			F Size 3.8758

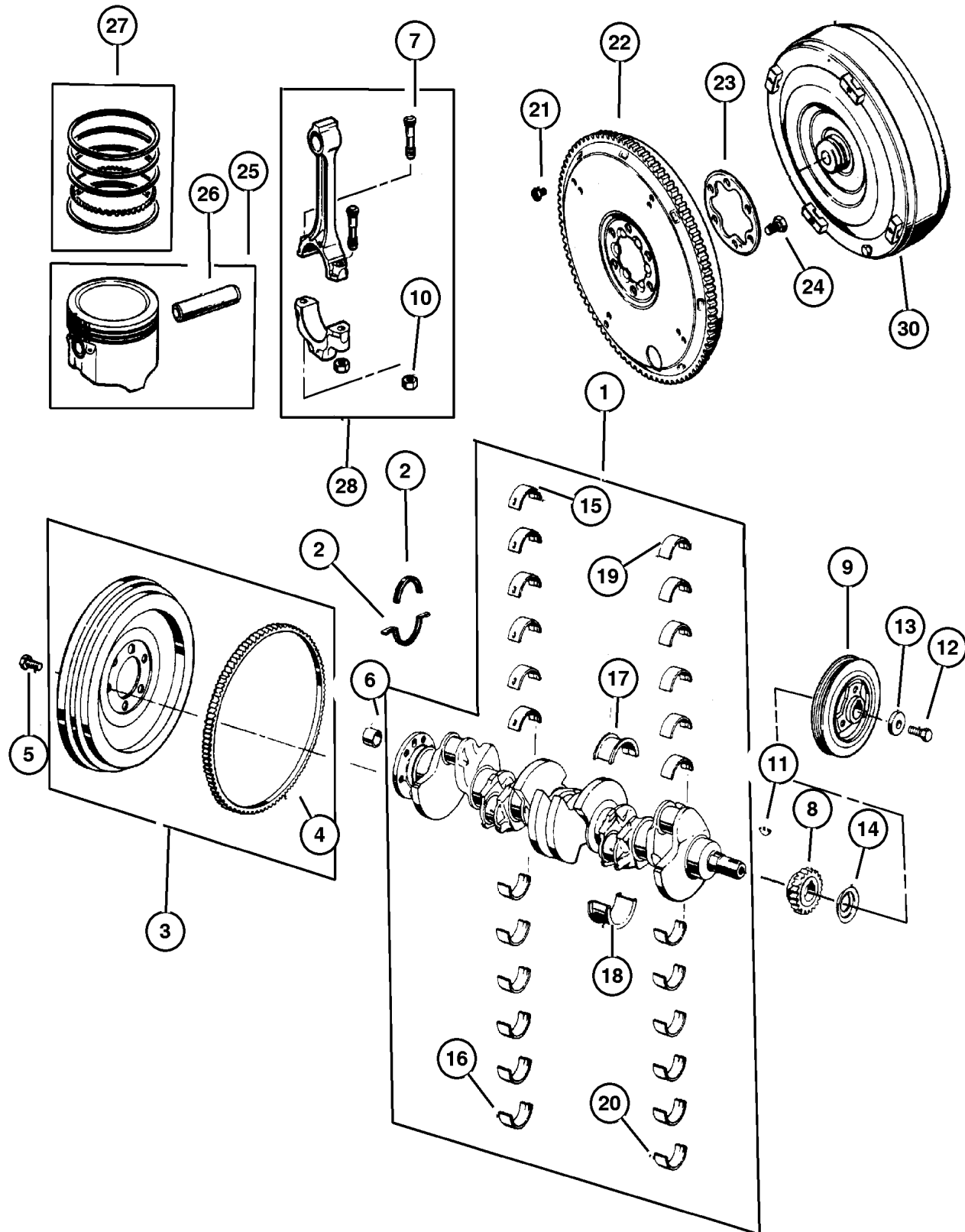
JEEP WRANGLER (TJ)

SERIES	LINE	BODY	ENGINE	TRANSMISSION
H = Sport	J = Wrangler 4WD	77 = 93.4 WB	EPE, EP0 = 2.5L Power Tech	DGG, DGD = 32RH 3 Spd. Auto.
L = SE	U = Wrangler 4WD (RHD)		ERH, ER0 = 4.0L Power Tech	DDQ = 5 Spd. Manual
M = X				DDD = 5 Speed HD Manual
P = Sahara				DG0 = Auto. Trans.
				DBB = Manual Trans.

AR = Use as required - = Non illustrated part # = New this model year

January 26, 2004

Crankshaft, Piston and Torque Converter, 4.0 (ERH)
Figure 4.0L-410



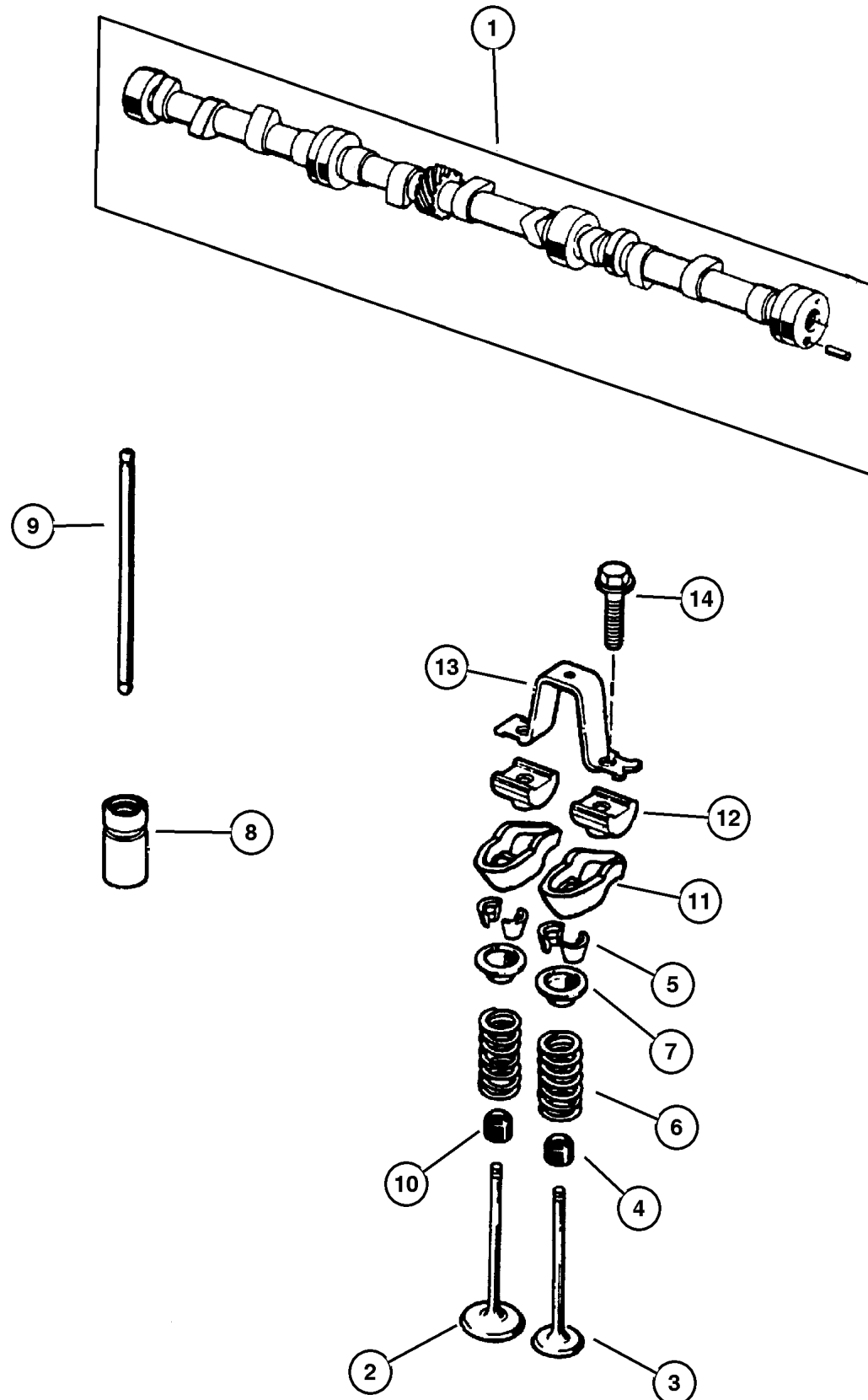
ITEM	PART NUMBER	QTY	LINE	SERIES	BODY	ENGINE	TRANS	TRIM	DESCRIPTION
26									PIN, Piston, Serviced in Piston Assembly, (NOT SERVICED) (Not Serviced)
27	4798 878	1				ER0			RING PACKAGE, Piston, Standard Size Complete Engine
28									ROD, Connecting, Serviced in Piston Assembly, (NOT SERVICED) (Not Serviced)
-29	J400 5142	2				EP0			NUT, Hex Flange Lock
30	#4736 596AB	1				ER0	DGG		CONVERTER PACKAGE, Torque

JEEP WRANGLER (TJ)
 SERIES LINE BODY ENGINE TRANSMISSION
 H = Sport J = Wrangler 4WD 77 = 93.4 WB EPE, EP0 = 2.5L Power Tech DGG, DGD = 32RH 3 Spd. Auto.
 L = SE U = Wrangler 4WD (RHD) ERH, ER0 = 4.0L Power Tech DDQ = 5 Spd. Manual
 M = X DDD = 5 Speed HD Manual
 P = Sahara DG0 = Auto. Trans.
 DBB = Manual Trans.

AR = Use as required - = Non illustrated part # = New this model year

January 26, 2004

Camshaft and Valves, 4.0 (ERH)
Figure 4.0L-510



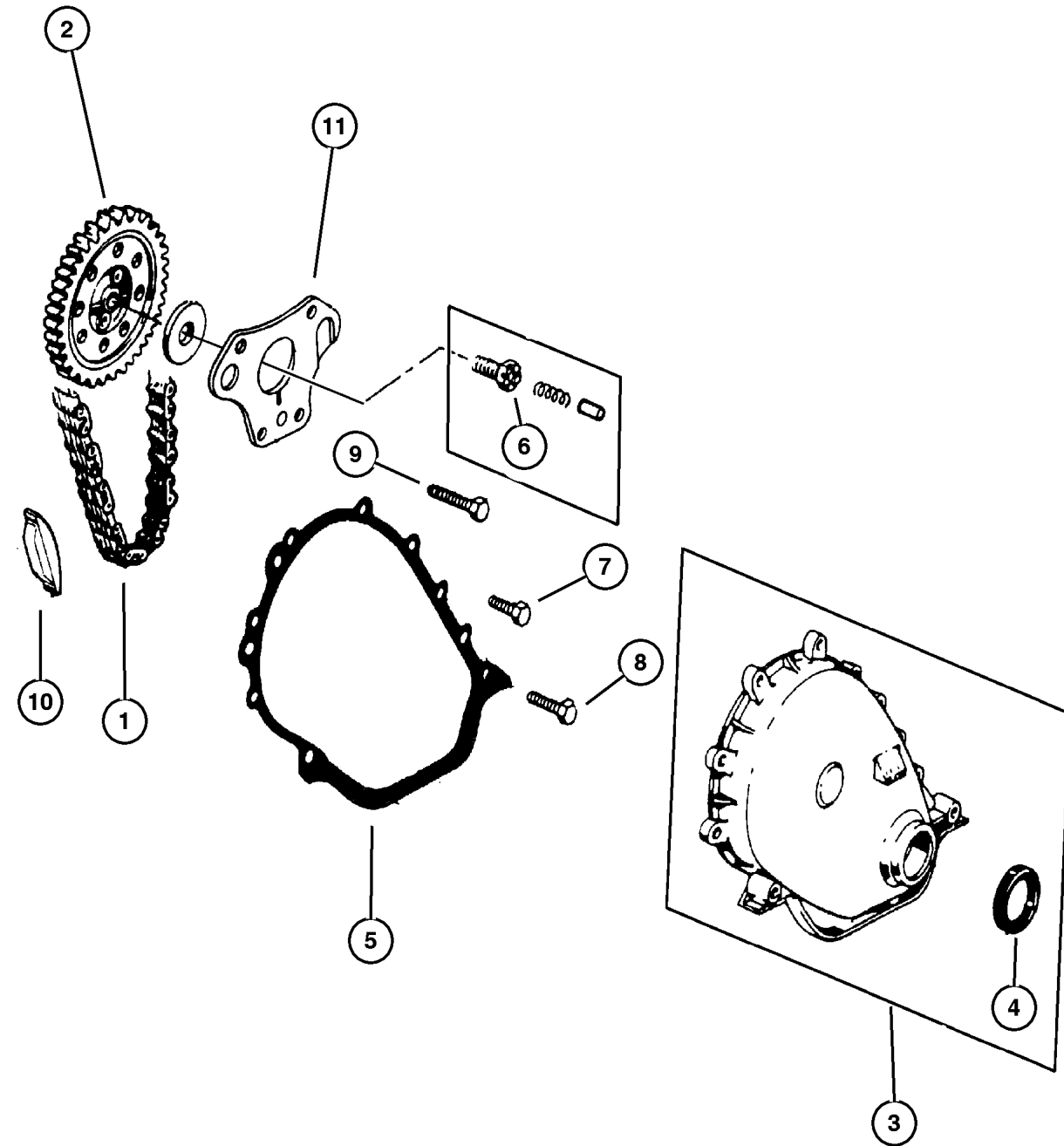
ITEM	PART NUMBER	QTY	LINE	SERIES	BODY	ENGINE	TRANS	TRIM	DESCRIPTION
NOTE: ER0=All 4.0L Engines									
1	53010 448AA	1				ER0			CAMSHAFT
2	53010 512AA	6				ER0			VALVE, Intake, Standard
3	53010 513AA	6				ER0			VALVE, Exhaust, Standard
4	5300 9887	6				ER0			SEAL, Valve Guide, Exhaust
5	53010 515AA	24				ER0			LOCK, Valve Spring Retainer
6	5301 0388	12				ER0			SPRING, Valve
7	53010 514AA	12				ER0			RETAINER, Valve Spring
8	53010 574AA	12				ER0			TAPPET, Valve
9	3300 2986	12				ER0			PUSH ROD, Valve
10	5300 9886	6				ER0			SEAL, Valve Guide, Intake
11	J324 2393	12				ER0			ROCKER ARM, Valve
12	J323 5090	12				ER0			PIVOT, Rocker Arm
13	J323 6513	6				ER0			BRIDGE, Rocker Arm
14	J942 5708	12				ER0			BOLT, Hex Flange Head, .312-18x1.25

JEEP WRANGLER (TJ)				
SERIES	LINE	BODY	ENGINE	TRANSMISSION
H = Sport	J = Wrangler 4WD	77 = 93.4 WB	EPE, EP0 = 2.5L Power Tech	DGG, DGD = 32RH 3 Spd. Auto.
L = SE	U = Wrangler 4WD (RHD)		ERH, ER0 = 4.0L Power Tech	DDQ = 5 Spd. Manual
M = X				DDD = 5 Speed HD Manual
P = Sahara				DG0 = Auto. Trans.
				DBB = Manual Trans.

AR = Use as required - = Non illustrated part # = New this model year

January 26, 2004

Timing Cover, 4.0 (ERH)
Figure 4.0L-610



ITEM	PART NUMBER	QTY	LINE	SERIES	BODY	ENGINE	TRANS	TRIM	DESCRIPTION
Note; EP0= All 2.5L 4 Cylinder Gas Engines									
ER0= All 4.0L 6 Cylinder Gas Engines									
1	5302 0444	1				ER0			CHAIN, Timing
2	53010 557AA	1				ER0			SPROCKET, Camshaft
3	5301 0421	1				ER0			COVER, Timing Belt
4	3300 4681	1				ER0			SEAL, Front Main Crankshaft
5	5302 0487	1				ER0			GASKET, Front Cover
6	6024 030	1				ER0			SCREW AND WASHER, Hex
7	6035 893	5				EP0,			BOLT, Hex
8	6035 895	2				ER0			SCREW
9	6035 894	2				EP0,			SCREW
10	3300 3446	1				EP0,			SNUBBER, Timing Chain
11	5301 0401	1				ER0			PLATE, Camshaft Thrust
-12	6035 975AA	2				ER0			SCREW, Pan Head

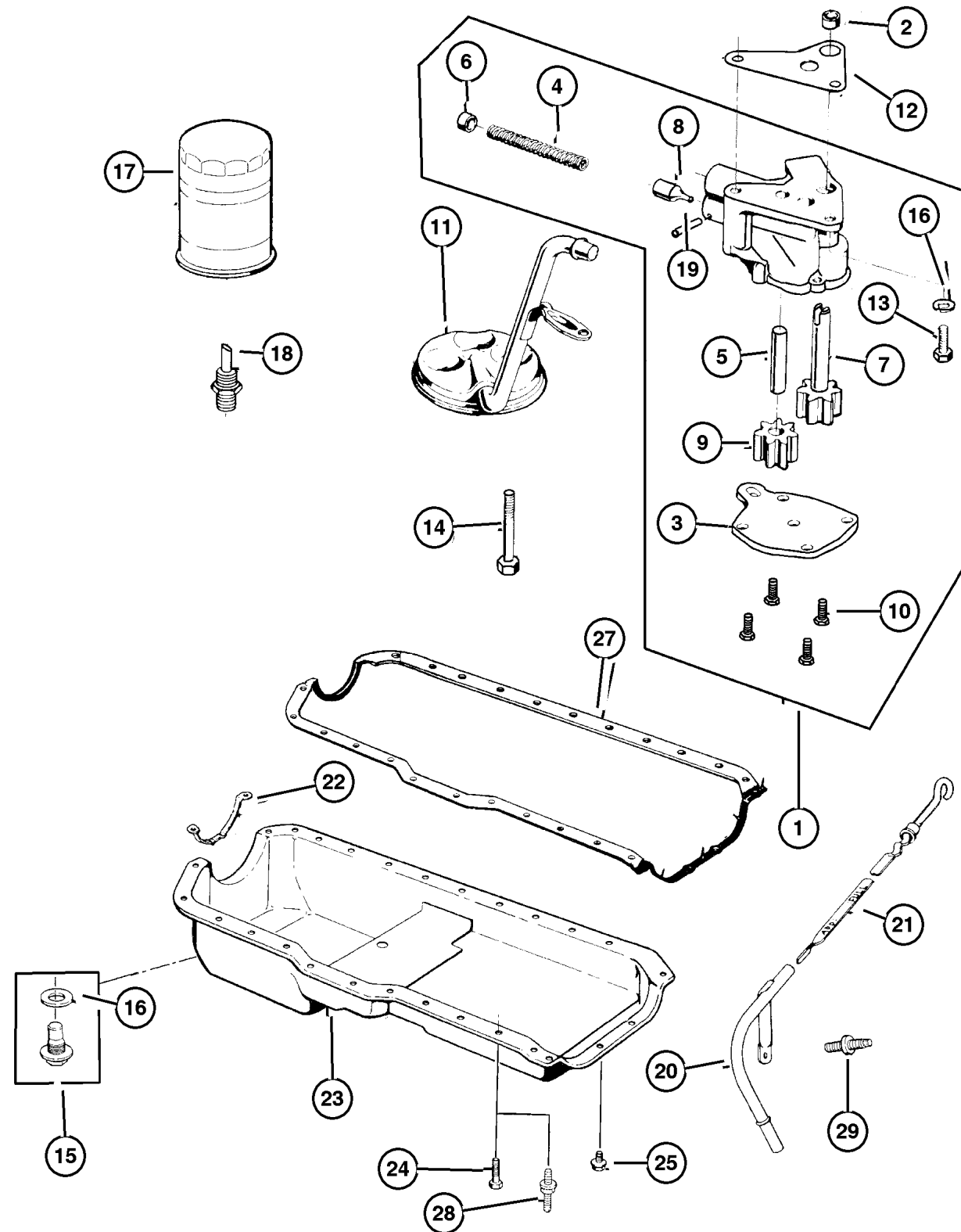
JEEP WRANGLER (TJ)

SERIES	LINE	BODY	ENGINE	TRANSMISSION
H = Sport	J = Wrangler 4WD	77 = 93.4 WB	EPE, EP0 = 2.5L Power Tech	DGG, DGD = 32RH 3 Spd. Auto.
L = SE	U = Wrangler 4WD (RHD)		ERH, ER0 = 4.0L Power Tech	DDQ = 5 Spd. Manual
M = X				DDD = 5 Speed HD Manual
P = Sahara				DG0 = Auto. Trans.
				DBB = Manual Trans.

AR = Use as required - = Non illustrated part # = New this model year

January 26, 2004

**Engine Oiling, 4.0 (ERH)
Figure 4.0L-710**



ITEM	PART NUMBER	QTY	LINE	SERIES	BODY	ENGINE	TRANS	TRIM	DESCRIPTION
Note; EP0= 2.5L 4 Cylinder Gas Engines ER0= 4.0L 6 Cylinder Gas Engines									
1	J324 1399	1				ER0			PUMP, Engine Oil
2	J400 5149	1				EP0, ER0			DOWEL, Oil Pump
3	J324 1733	1				ER0			COVER, Engine Oil Pump
4	J323 9668	1				ER0			SPRING, Oil Pressure Relief Valve
5	J317 1956	1				ER0			SHAFT, Oil Pump
6	J317 1958	1				ER0			RETAINER, Oil Release Valve
7	J317 2334	1				ER0			GEAR, Oil Pump
8	J318 8661	1				ER0			PLUNGER, Oil Pressure Relief Valve
9	J319 6843	1				ER0			GEAR, Oil Pump Driven
10	J941 6852	4				ER0			SCREW, Hex Flange Head, .25-20x. 50
11	3300 2696	1				ER0			TUBE, Oil Pump Inlet
12	J317 2332	1				EP0, ER0			GASKET, Oil Pump
13	6022 235	1				EP0, ER0			BOLT AND WASHER, Hex Head, .312-18x1.00
14	0154 593	1				EP0, ER0			SCREW, Hex Head Coned, .312- 18x2.625
15	6035 417	1				ER0			PLUG, Oil Drain
16									GASKET, Oil Drain Plug, Serviced in Plug, (NOT SERVICED) (Not Serviced)
17	5281 090	1				EP0, ER0			FILTER, Engine Oil
18	5300 7563	1				EP0, ER0			CONNECTOR, Oil Filter
19	J027 1448	1				ER0			PIN, Roll, 5/32" x 1.00"
20	5302 0782	1				ER0			TUBE, Oil Filler
21	5301 0445	1				ER0			INDICATOR, Engine Oil Level
22	53010 511AA	1				ER0			SUPPORT, Engine Oil Pan
23	5301 0340	1				ER0			PAN, Engine Oil
24	6034 732	14				ER0			SCREW AND WASHER, Hex Head, .25-20x.545
25	6034 483	3				ER0			SCREW, Hex Head Coned, .312- 18x.875
-26	6034 733	1				ER0			STUD, .312-18/.250-20x1.680
27	53007 568AC	1				ER0			GASKET, Oil Pan
28	6034 734	10				ER0			BOLT, Double Stud Hex, .250-20x1. 437 & .250-20 x.700

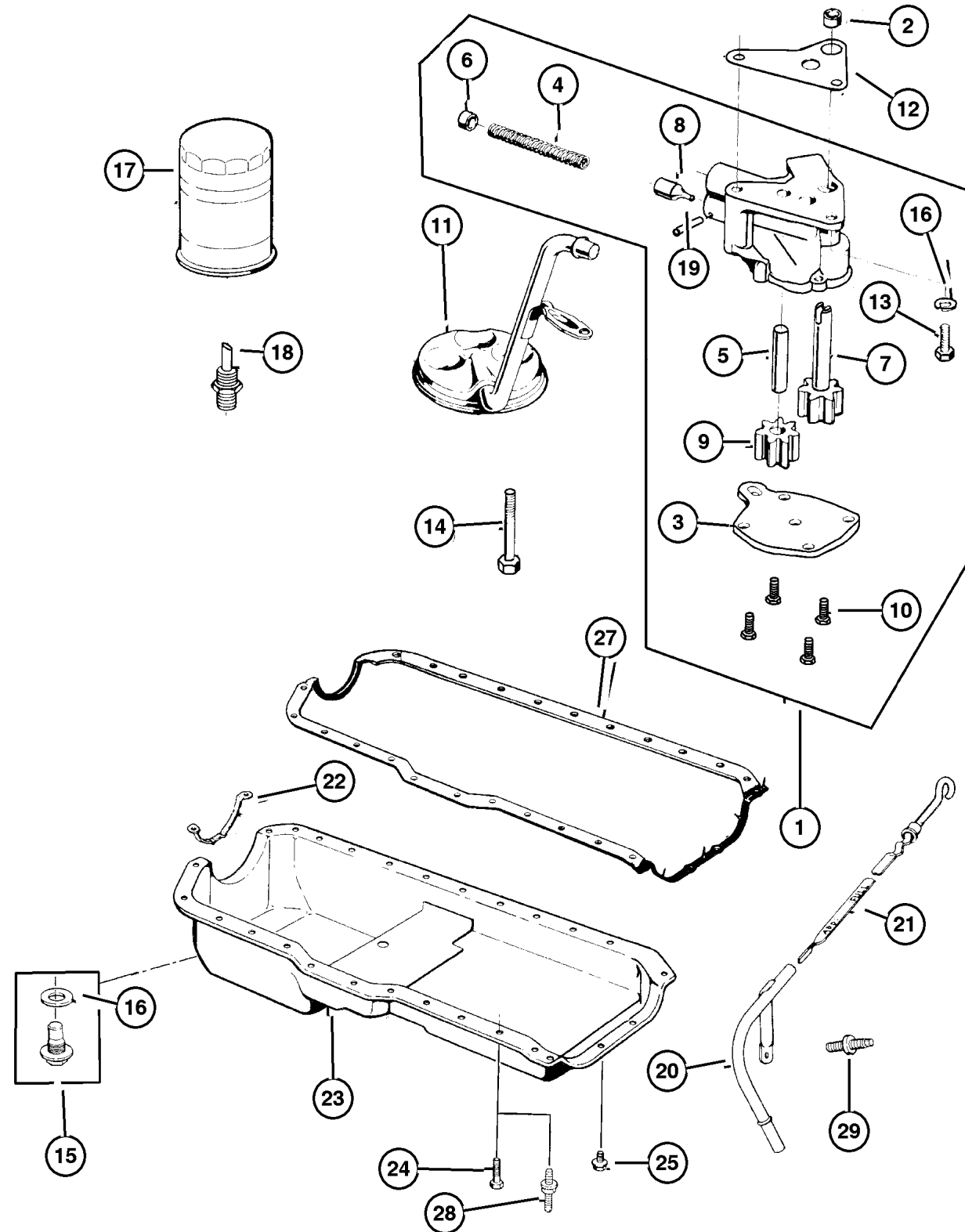
JEEP WRANGLER (TJ)

SERIES	LINE	BODY	ENGINE	TRANSMISSION
H = Sport	J = Wrangler 4WD	77 = 93.4 WB	EPE, EP0 = 2.5L Power Tech	DGG, DGD = 32RH 3 Spd. Auto.
L = SE	U = Wrangler 4WD (RHD)		ERH, ER0 = 4.0L Power Tech	DDQ = 5 Spd. Manual
M = X				DDD = 5 Speed HD Manual
P = Sahara				DG0 = Auto. Trans.
				DBB = Manual Trans.

AR = Use as required - = Non illustrated part # = New this model year

January 26, 2004

Engine Oiling, 4.0 (ERH)
Figure 4.0L-710



ITEM	PART NUMBER	QTY	LINE	SERIES	BODY	ENGINE	TRANS	TRIM	DESCRIPTION
29	6035 664	1				EP0, ER0			STUD, .312-18x1.560
-30	#53010 615AA	1				ER0			DRIVE, OIL PUMP
-31	J318 1288	1				ER0			GASKET, Distributor

JEEP WRANGLER (TJ)			
SERIES	LINE	BODY	ENGINE
H = Sport	J = Wrangler 4WD	77 = 93.4 WB	EPE, EP0 = 2.5L Power Tech
L = SE	U = Wrangler 4WD (RHD)		ERH, ER0 = 4.0L Power Tech
M = X			
P = Sahara			

TRANSMISSION
DGG, DGD = 32RH 3 Spd. Auto.
DDQ = 5 Spd. Manual
DDD = 5 Speed HD Manual
DG0 = Auto. Trans.
DBB = Manual Trans.

AR = Use as required - = Non illustrated part # = New this model year

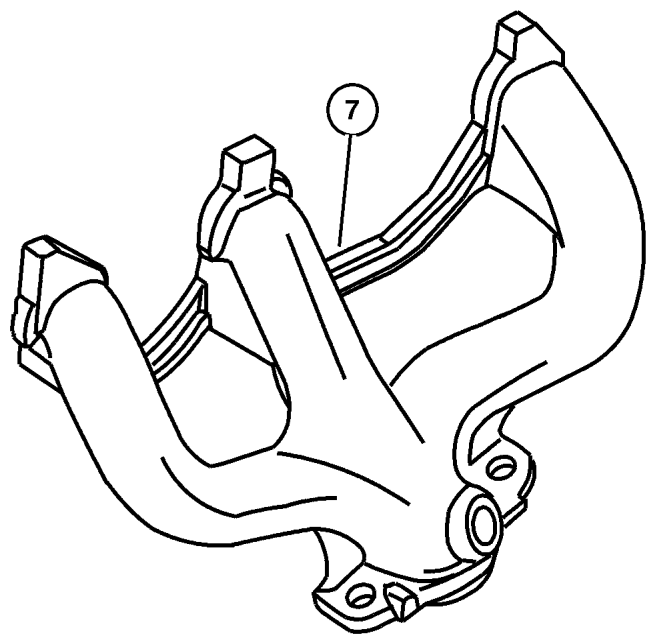
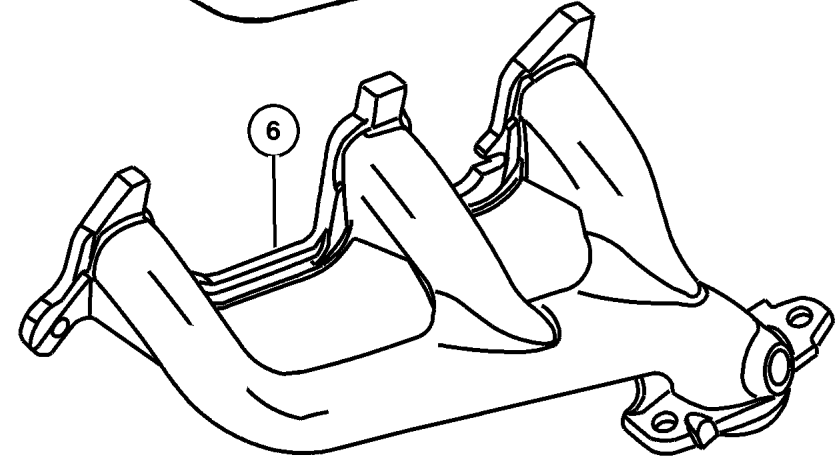
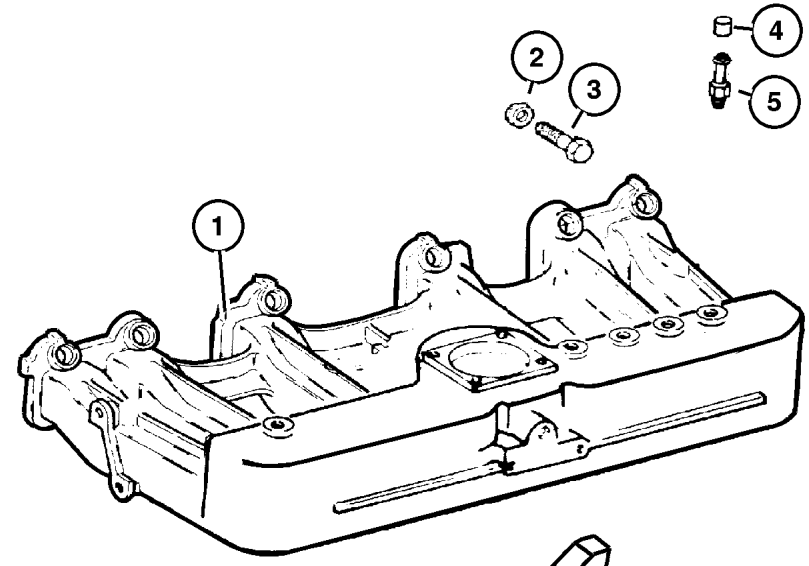
January 26, 2004

**Manifold, Intake and Exhaust
Figure 4.0L-810**

ITEM	PART NUMBER	QTY	LINE	SERIES	BODY	ENGINE	TRANS	TRIM	DESCRIPTION
------	-------------	-----	------	--------	------	--------	-------	------	-------------

Note:[EP0]= All 2.5L 4 Cylinder Gas Engines
[ER0]= All 4.0L 6 Cylinder Gas Engines

1	4854 197AA	1				ER0			MANIFOLD, Intake
2	6036 171AA	2				EP0, ER0			NUT AND WASHER
3	6036 045AA	1				EP0, ER0			BOLT AND RETAINER, Hex Head
4	3580 172	1							CAP, Vacuum
5	4854 194	1				ER0			FITTING, Vacuum
6	5301 0196	1				ER0			MANIFOLD, Exhaust, Front
7	5301 0199	1				ER0			MANIFOLD, Exhaust, Rear
-8	4854 038	1				ER0			GASKET, Intake/Exhaust Manifold
-9	6036 193AA	2				EP0, ER0			STUD, .375-16/.375-24x1.75
-10	6506 546AA	2				ER0			NUT, Exhaust Manifold

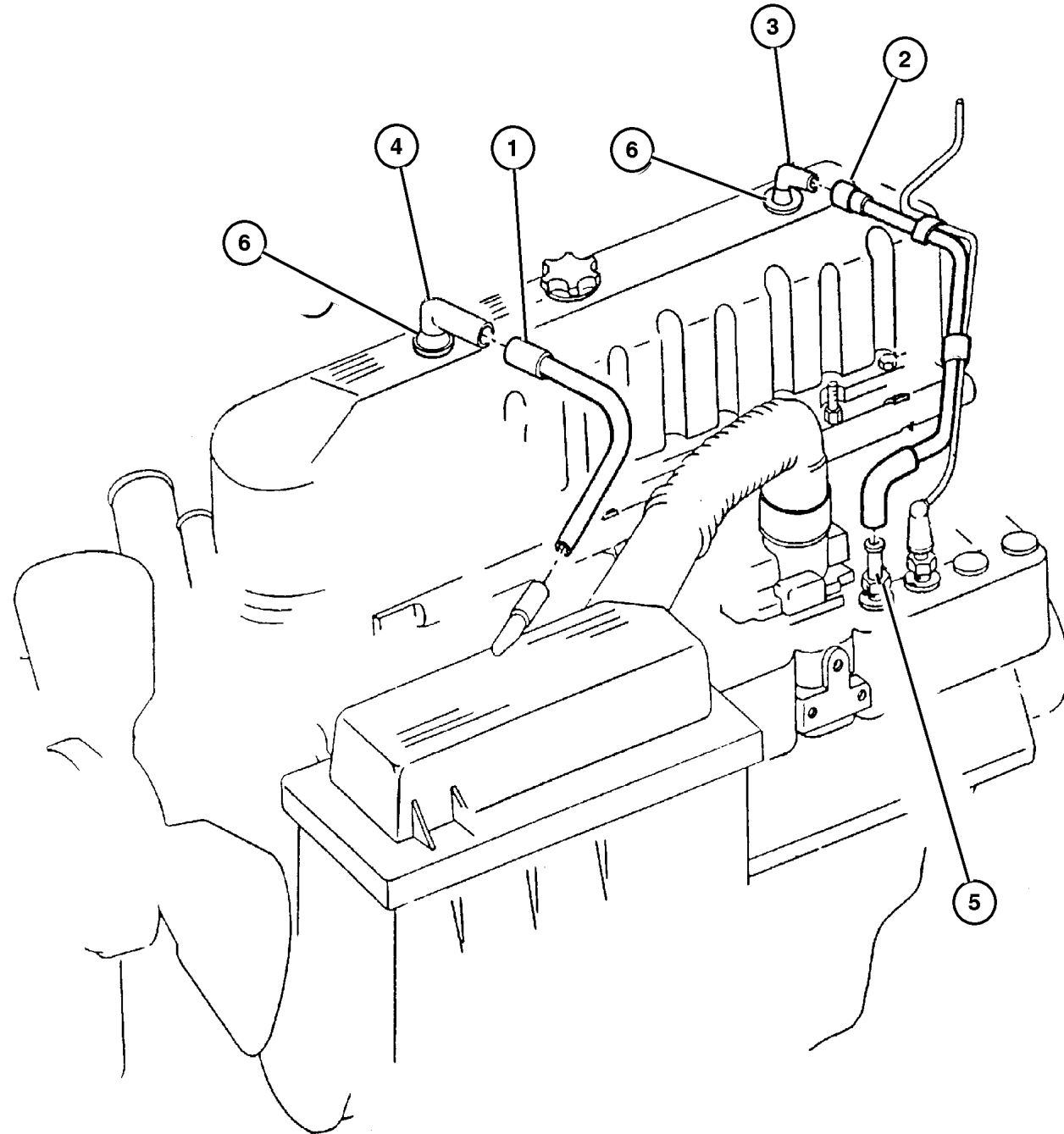


JEEP WRANGLER (TJ)			
SERIES	LINE	BODY	ENGINE
H = Sport	J = Wrangler 4WD	77 = 93.4 WB	EPE, EP0 = 2.5L Power Tech
L = SE	U = Wrangler 4WD (RHD)		ERH, ER0 = 4.0L Power Tech
M = X			
P = Sahara			
			TRANSMISSION
			DGG, DGD = 32RH 3 Spd. Auto.
			DDQ = 5 Spd. Manual
			DDD = 5 Speed HD Manual
			DG0 = Auto. Trans.
			DBB = Manual Trans.

AR = Use as required - = Non illustrated part # = New this model year

January 26, 2004

**Crankcase Ventilation, 4.0 (ERH)
Figure 4.0L-910**



ITEM	PART NUMBER	QTY	LINE	SERIES	BODY	ENGINE	TRANS	TRIM	DESCRIPTION
Note; EP0= All 2.5L 4 Cylinder Gas Engines									
ER0= All 4.0L 6 Cylinder Gas Engines									
1	5303 0615	1				ER0			TUBE, Crankcase Vent Valve
2	4854 265	1				ER0			TUBE, Crankcase Vent To Intake Manifold
3	5303 0495	1				ER0			TUBE, Crankcase Vent To Air Cleaner
4	5303 0497	1				EP0, ER0			FITTING, Crankcase Vent Tube
5	4854 194	1				ER0			FITTING, Vacuum
6	2946 079	2				ER0			GROMMET, Crankcase Vent

JEEP WRANGLER (TJ)				
SERIES	LINE	BODY	ENGINE	TRANSMISSION
H = Sport	J = Wrangler 4WD	77 = 93.4 WB	EPE, EP0 = 2.5L Power Tech	DGG, DGD = 32RH 3 Spd. Auto.
L = SE	U = Wrangler 4WD (RHD)		ERH, ER0 = 4.0L Power Tech	DDQ = 5 Spd. Manual
M = X				DDD = 5 Speed HD Manual
P = Sahara				DG0 = Auto. Trans.
				DBB = Manual Trans.

AR = Use as required - = Non illustrated part # = New this model year

January 26, 2004

Group – 011

Exhaust

GROUP 11 - Exhaust

Illustration Title

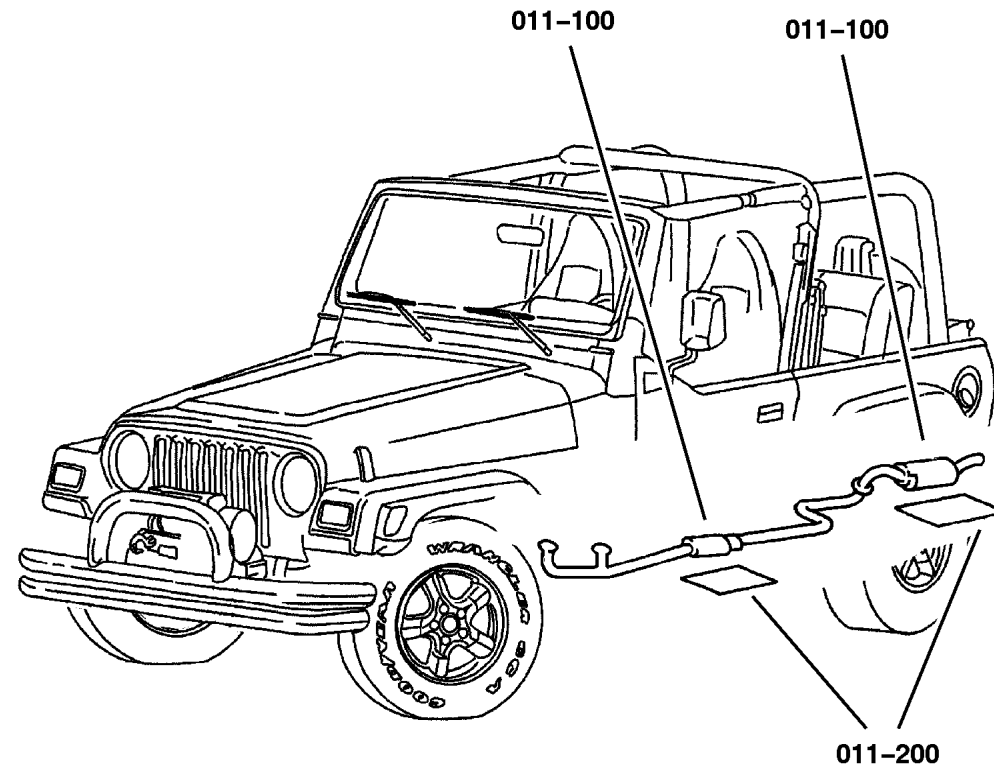
Group-Fig. No.

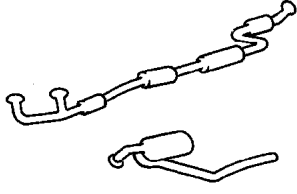
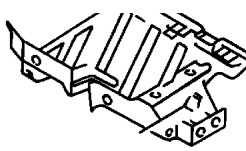
Exhaust System

Exhaust System, 2.5 (EPE), 4.0 (ERH) Fig. 011-110

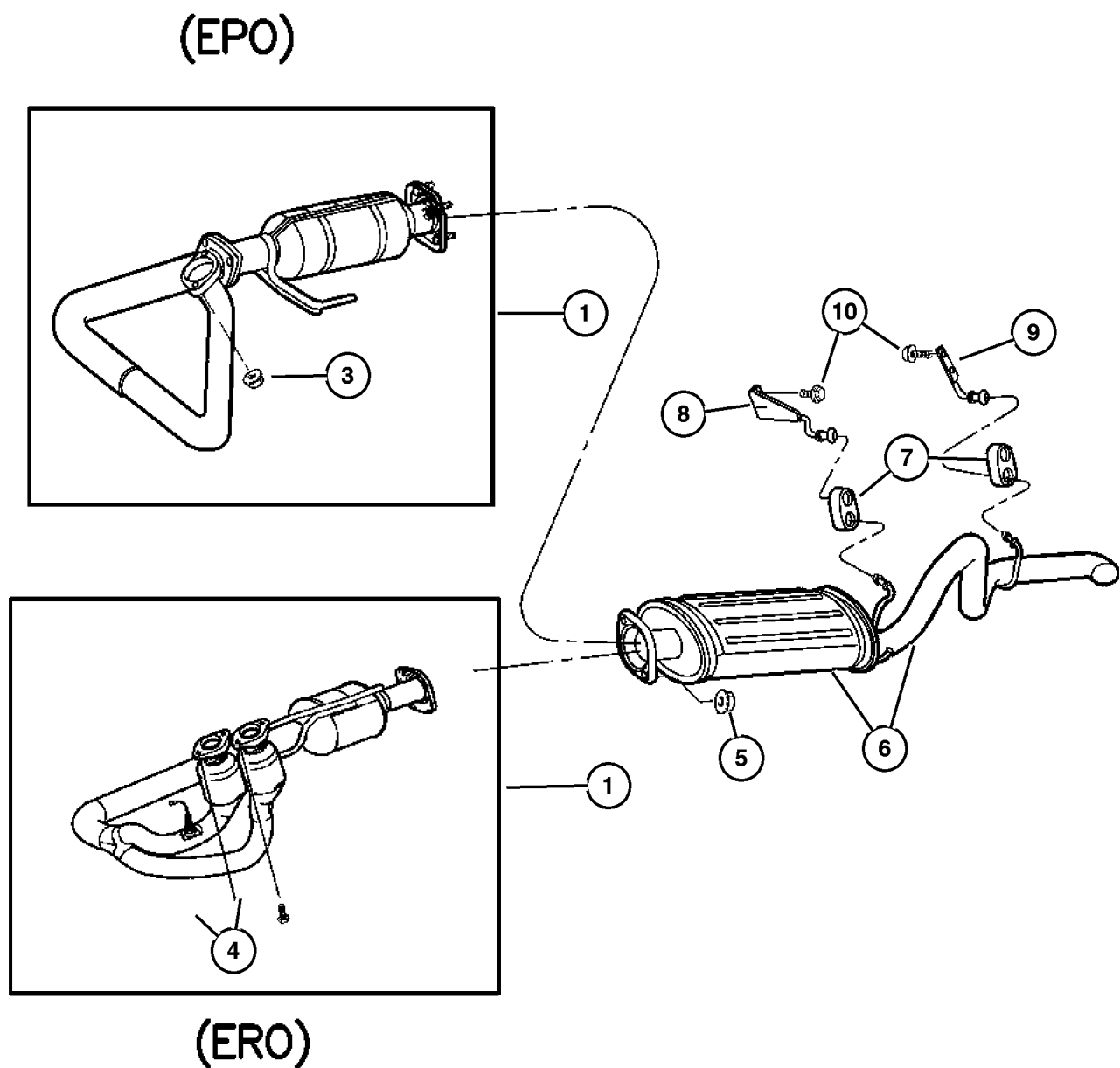
Heat Shields

Heat Shields, 2.5 (EPE), 4.0 (ERH) Fig. 011-210



<p>011-100 Exhaust System</p> 	<p>011-200 Heat Shields</p> 		
--	--	--	--

**Exhaust System, 2.5 (EPE), 4.0 (ERH)
Figure 011-110**



ITEM	PART NUMBER	QTY	LINE	SERIES	BODY	ENGINE	TRANS	TRIM	DESCRIPTION
NOTE:[EP0]=All 2.5L Gas Engines [ER0]=All 4.0L Engines [DBB]=All Manual Transmissions [DG0]=All Automatic Transmissions									
1	52101 194AA	1				EP0	DBB, DG0		CONVERTER, Catalytic U.S. 50 States and European III
	#52101 270AB	1				ER0	DBB, DG0		
-2	52020 050AC	1				EP0	DBB		RESONATOR, Exhaust Leaded Fuel
	5114 463AA	1				ER0			Leaded Fuel
3	J400 5142	2				EP0			NUT, Hex Flange Lock
4	6505 754AA	4				ER0			SCREW, Hex Head
5	6502 696	1							NUT, Hex Flange Lock, M10x1.5, 3 Bolt Flange Gasket
6	52019 242AC	1				EP0			MUFFLER AND TAILPIPE, Exhaust
	52019 241AE	1				ER0			
7	5210 1035	2							INSULATOR, Exhaust
8	5201 9408	1							HANGER, Muffler
9	5201 9413	1							HANGER, Exhaust
10	6035 613	4							SCREW
-11	4616 707	1				EP0	DBB, DG0		GASKET, Exhaust
		1				ER0	DBB, DG0		
-12	6100 517	3				EP0	DBB, DG0		NUT, Hex Flange Lock 3 Bolt Flange Nut
		3				ER0	DBB, DG0		3 Bolt Flange Nut
-13	52101 268AA	1				EP0	DBB, DG0		PIPE AND CONVERTER, Exhaust

JEEP WRANGLER (TJ)

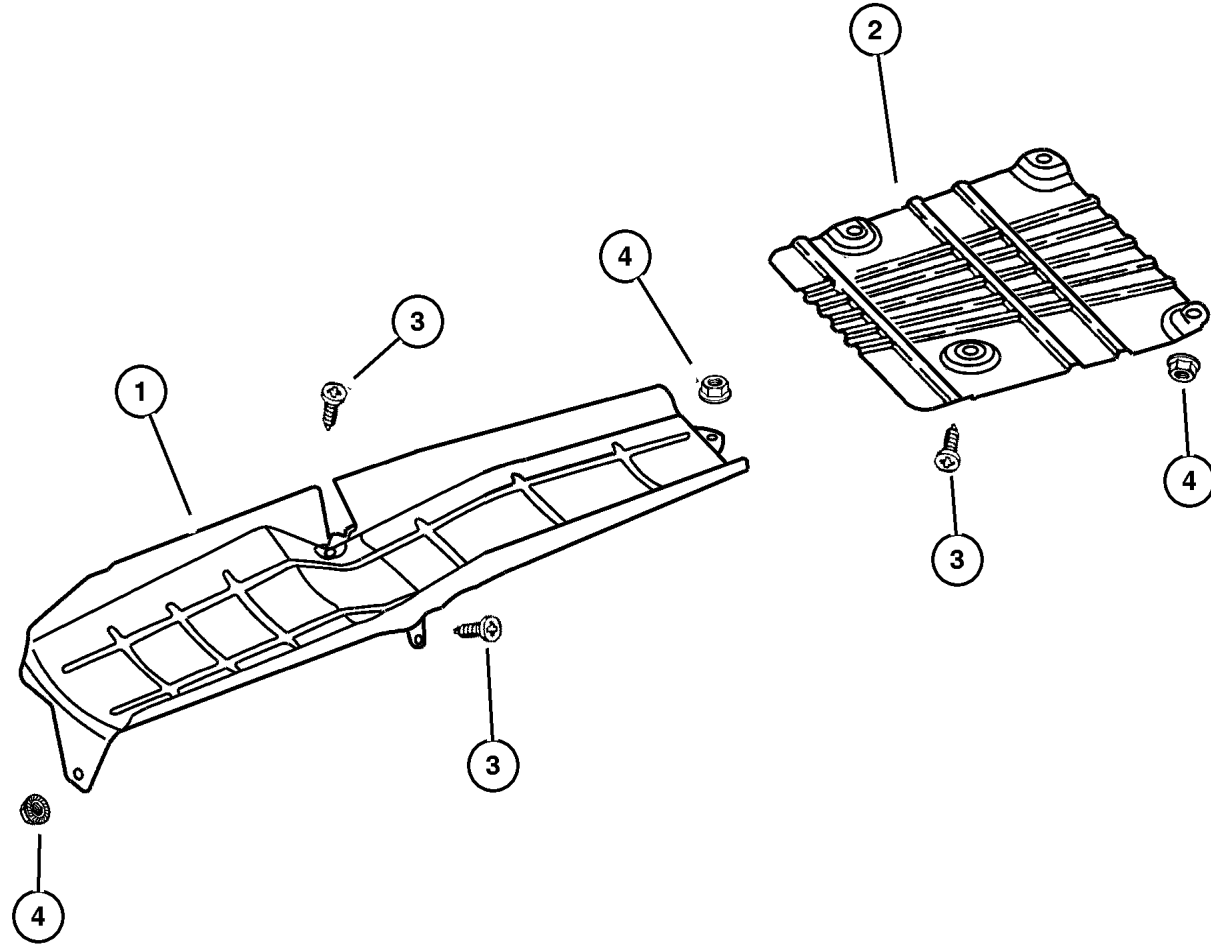
SERIES	LINE	BODY	ENGINE	TRANSMISSION
H = Sport	J = Wrangler 4WD	77 = 93.4 WB	EPE, EP0 = 2.5L Power Tech	DGG, DGD = 32RH 3 Spd. Auto.
L = SE	U = Wrangler 4WD (RHD)		ERH, ER0 = 4.0L Power Tech	DDQ = 5 Spd. Manual
M = X				DDD = 5 Speed HD Manual
P = Sahara				DG0 = Auto. Trans.
				DBB = Manual Trans.

AR = Use as required - = Non illustrated part # = New this model year

January 26, 2004

**Heat Shields, 2.5 (EPE), 4.0 (ERH)
Figure 011-210**

ITEM	PART NUMBER	QTY	LINE	SERIES	BODY	ENGINE	TRANS	TRIM	DESCRIPTION
1	55176 694AE	1							SHIELD, Muffler
2	5517 6205	1							SHIELD, Muffler
3									SCREW, [.250-20x.625], (NOT SERVICED) (Not Serviced)
4	J012 0375	1				EP0, ER0	DG0		NUT, Hex, .250-20
-5	#53013 669AA	1				ER0			SHIELD, Exhaust Manifold
-6	6503 683	1				ER0			PIN, Push



JEEP WRANGLER (TJ)				
SERIES	LINE	BODY	ENGINE	TRANSMISSION
H = Sport	J = Wrangler 4WD	77 = 93.4 WB	EPE, EP0 = 2.5L Power Tech	DGG, DGD = 32RH 3 Spd. Auto.
L = SE	U = Wrangler 4WD (RHD)		ERH, ER0 = 4.0L Power Tech	DDQ = 5 Spd. Manual
M = X				DDD = 5 Speed HD Manual
P = Sahara				DG0 = Auto. Trans.
				DBB = Manual Trans.

AR = Use as required - = Non illustrated part # = New this model year

January 26, 2004

Group – 013

Frames and Bumpers

GROUP 13 - Frames and Bumpers

Illustration Title

Group-Fig. No.

Frames

Frame Fig. 013-110

Front Bumper and Fascia

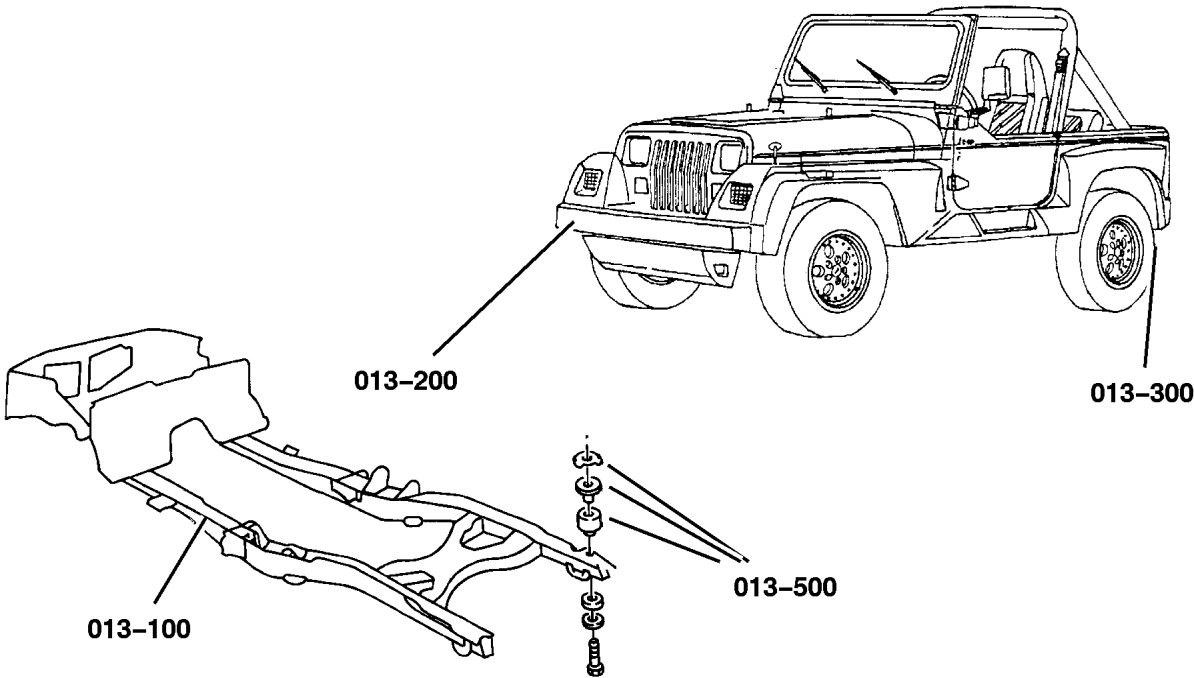
Bumper, Front Fig. 013-210

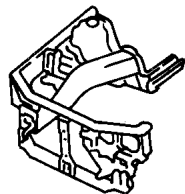
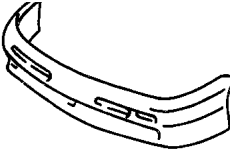


Rear Bumper and Fascia

Bumper, Rear Fig. 013-310

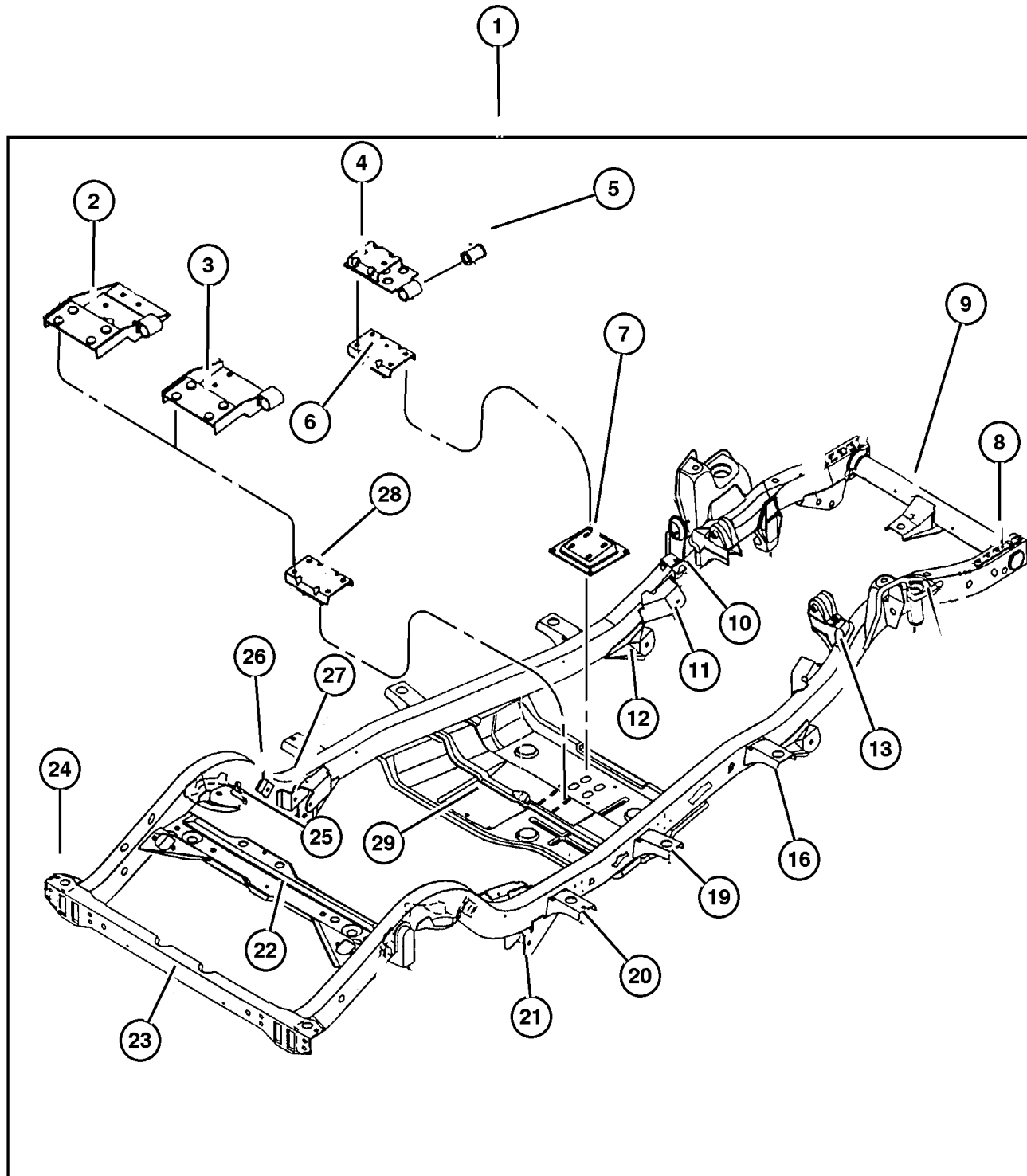
Body Hold Down

Body Mounting Hardware Fig. 013-510



<p>013-100 Frames</p> 	<p>013-200 Front Bumper and Fascia</p> 	<p>013-300 Rear Bumper and Fascia</p> 	<p>013-500 Body Hold Down</p> 
--	---	---	--

Frame
Figure 013-110



ITEM	PART NUMBER	QTY	LINE	SERIES	BODY	ENGINE	TRANS	TRIM	DESCRIPTION
Note: Sales Code EP0 = 2.5L Gas Engine									
Note: Sales Code ERO = 4.0L Gas Engine									
1									FRAME, Chassis
	#52058 811AF	1	J						4.0L Eng.
	#52058 813AF	1	J						2.5L Eng.
	#52058 815AF	1	U						4.0L Eng.
2	5205 8618	1							BRACKET, Transmission Mount
3	52058 546AB	1							BRACKET, Transmission Mount
4	52058 548AB	1							BRACKET, Transmission Mount
5	5208 5085	1							BUSHING, Exhaust Hanger
6	52058 551AB	1							MOUNT, Transmission, Trans. Support
7	5205 8863	1							BRACKET, Transmission Mount, Trans. Supprt
8									PLATE, Suspension
	5205 8430	2	J						
		2	U						
9	5517 6241	1							CROSSMEMBER, Underbody
10									BRACKET, Frame Rail
	5205 8893	1	J						2.5L Eng.
		1	J						4.0L Eng.
	5205 8894	1	U						4.0L Eng.
11									BRACKET, Frame Rail
	52058 160AB	1	J						Right
	52058 161AB	1	J						Left
	52058 160AB	1	U						Right
	52058 161AB	1	U						Left
12									BRACKET, Frame Rail
	5205 8090	1	J						Right
		1	U						Right
	5205 8091	1	J						Left
		1	U						Left
13									BRACKET, Engine Mount
	5205 8864	1	J						Upper, w/4.0L Eng., Right
		1	U						Upper, w/4.0L Eng., Right
	5205 8865	1	J						Upper, w/4.0L Eng., Left
		1	U						Upper, w/4.0L Eng., Left
	5205 8870	1	J						Upper, w/2.5L Eng., Right
	5205 8871	1	J						Upper, w/2.5L Eng., Left
-14									REINFORCEMENT, Engine Mount
	5205 8846	1	J						Right
	5205 8847	1	J						Left
-15									REINFORCEMENT, Engine Mount

JEEP WRANGLER (TJ)

SERIES
H = Sport
L = SE
M = X
P = Sahara

LINE
J = Wrangler 4WD
U = Wrangler 4WD (RHD)

BODY
77 = 93.4 WB

ENGINE
EPE, EP0 = 2.5L Power Tech
ERH, ERO = 4.0L Power Tech

TRANSMISSION
DGG, DGD = 32RH 3 Spd. Auto.
DDQ = 5 Spd. Manual
DDD = 5 Speed HD Manual
DG0 = Auto. Trans.
DBB = Manual Trans.

Frame
Figure 013-110

ITEM	PART NUMBER	QTY	LINE	SERIES	BODY	ENGINE	TRANS	TRIM	DESCRIPTION
	5205 8911	1	J						Right
		1	U						Right
	5205 8845	1	J						Left
		1	U						Left
16									BRACKET, Frame
	5003 831AA	4	J						
		4	U						
-17									SCREW, Hex Flange Head
	6035 836	6	J						
		6	U						
-18									NUT
	6035 739	6	J						
		6	U						
19									BRACKET, Frame
	5003 831AA	4	J						
		4	U						
20									BRACKET, Frame
	5003 836AA	2	J						
		2	U						
21									BRACKET, Frame Rail
	5003 832AA	1	J						Right
		1	U						Right
	5003 833AA	1	J						Left
		1	U						Left
22									CROSSMEMBER, Intermediate Rear
	5205 8136	1	J						
		1	U						
23									CROSSMEMBER, Rear Frame
	52058 121AB	1	J						
		1	U						
24									REINFORCEMENT, Crossmember
	5205 8772	1	J						Right
		1	U						Right
	5205 8773	1	J						Left
		1	U						Left
25									BRACKET, Frame Rail
	5205 8420	1	J						Right
		1	U						Right
	5205 8421	1	J						Left
		1	U						Left
26									BRACKET, Stabilizer Bar
	5205 8632	2	J						

JEEP WRANGLER (TJ)

SERIES
H = Sport
L = SE
M = X
P = Sahara

LINE
J = Wrangler 4WD
U = Wrangler 4WD (RHD)

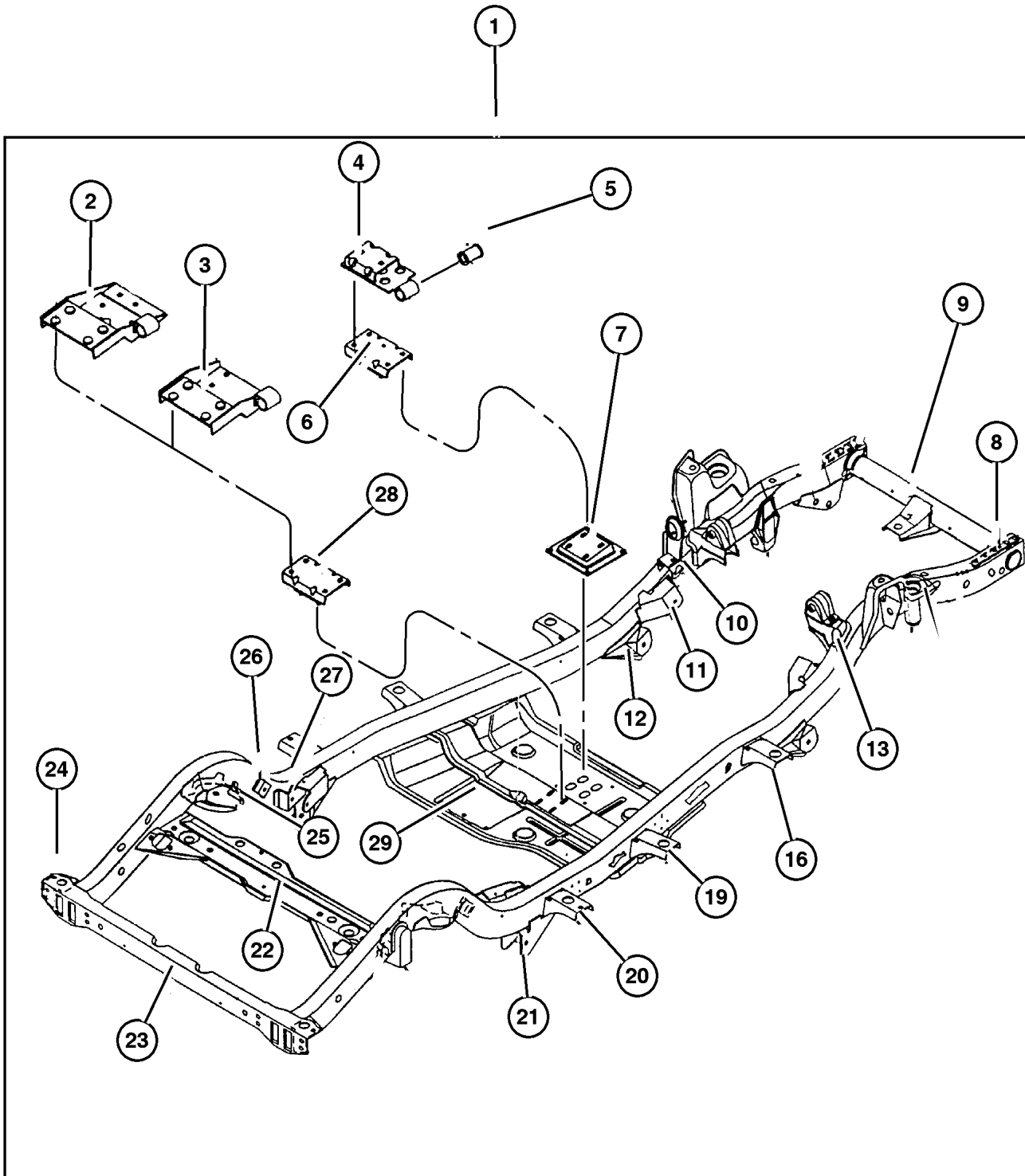
BODY
77 = 93.4 WB

ENGINE
EPE, EP0 = 2.5L Power Tech
ERH, ER0 = 4.0L Power Tech

TRANSMISSION
DGG, DGD = 32RH 3 Spd. Auto.
DDQ = 5 Spd. Manual
DDD = 5 Speed HD Manual
DG0 = Auto. Trans.
DBB = Manual Trans.

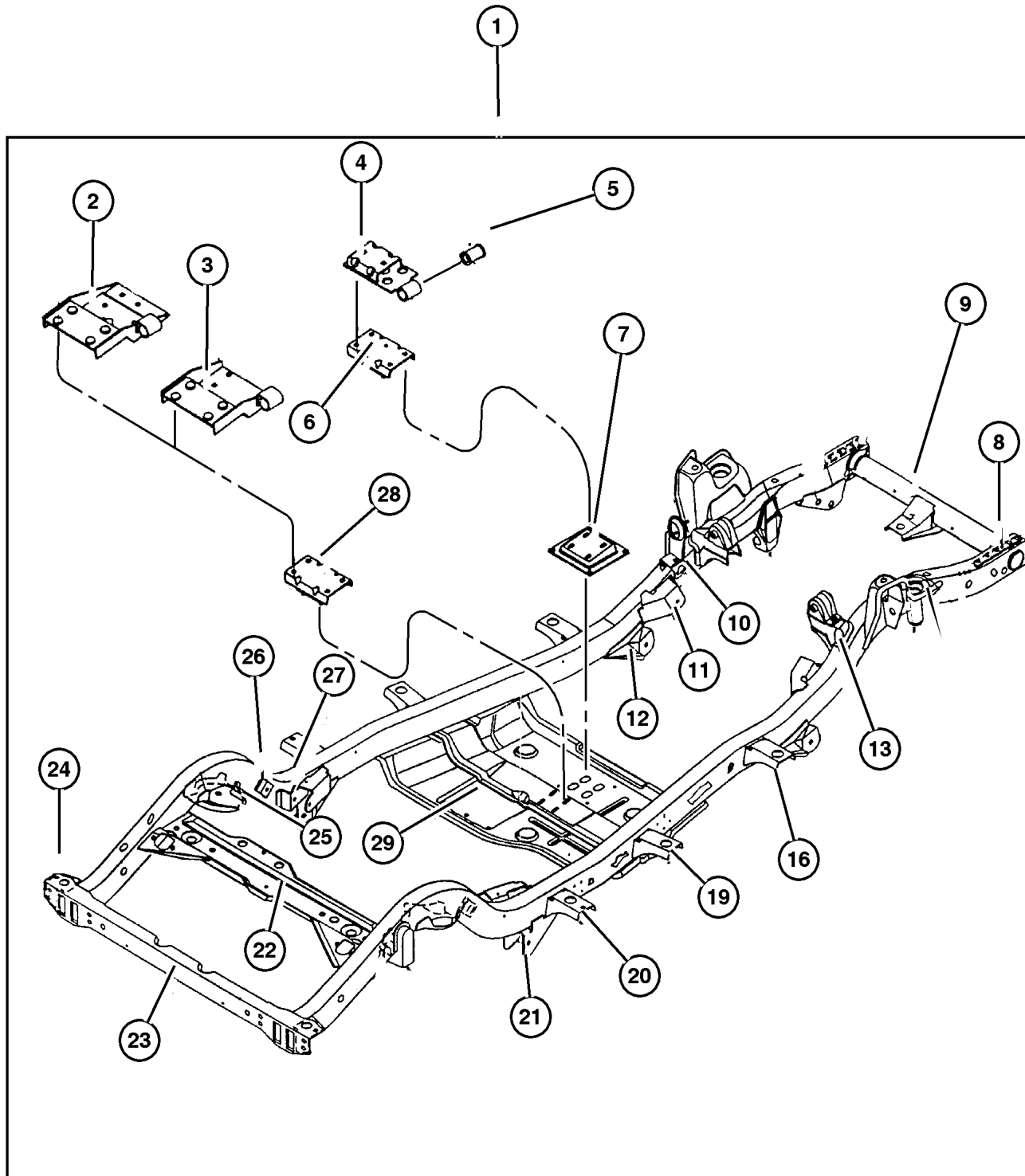
AR = Use as required - = Non illustrated part # = New this model year

January 26, 2004



Frame
Figure 013-110

ITEM	PART NUMBER	QTY	LINE	SERIES	BODY	ENGINE	TRANS	TRIM	DESCRIPTION
		2	U						
27	5003 834AB	1	J						BRACKET, Upper Control Arm
		1	U						
28	52058 551AB	1							MOUNT, Transmission, Trans. Support
29	52058 133AC	1	J						SKID PLATE, Support
		1	U						



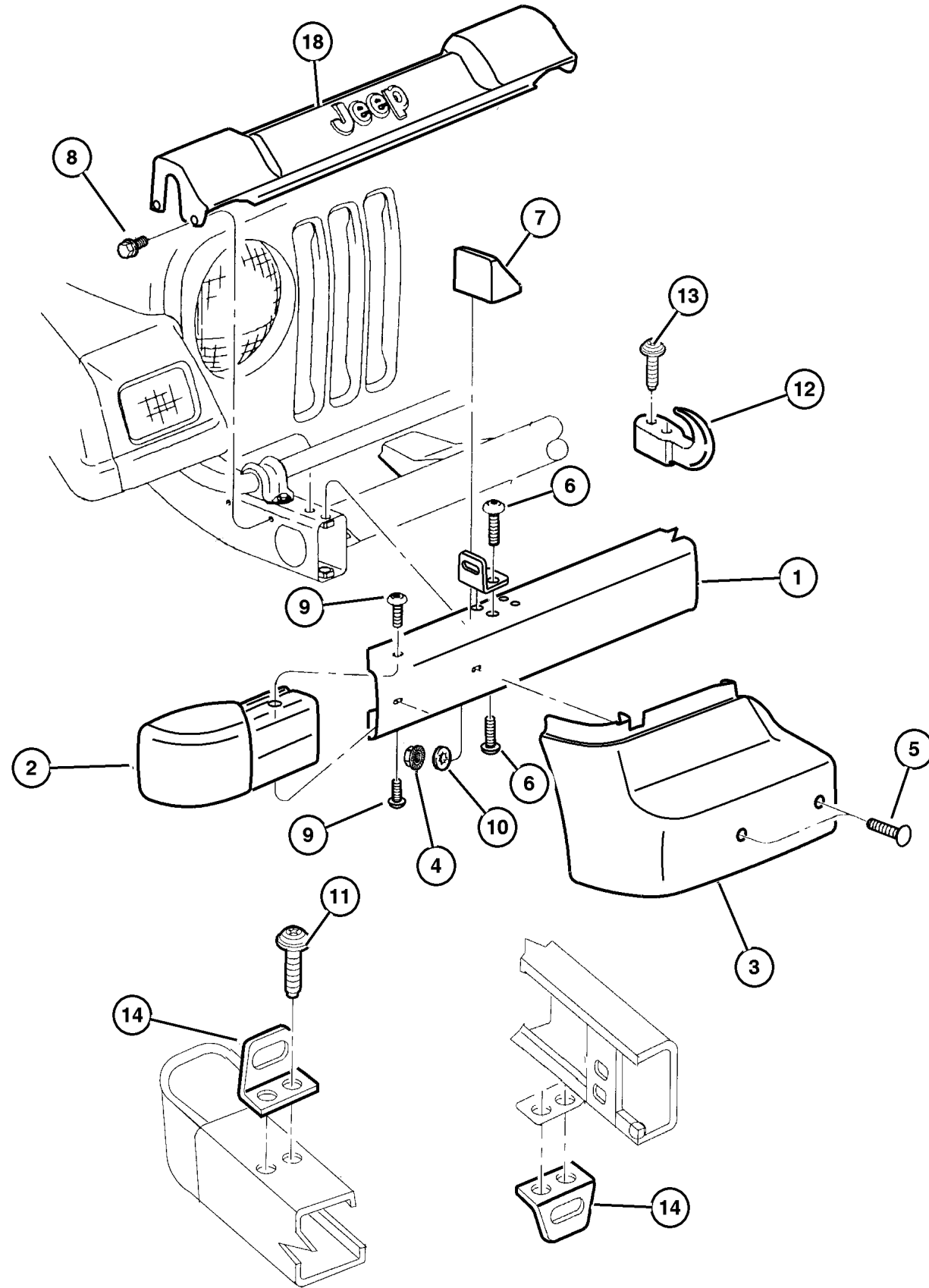
JEEP WRANGLER (TJ)

SERIES	LINE	BODY	ENGINE	TRANSMISSION
H = Sport	J = Wrangler 4WD	77 = 93.4 WB	EPE, EP0 = 2.5L Power Tech	DGG, DGD = 32RH 3 Spd. Auto.
L = SE	U = Wrangler 4WD (RHD)		ERH, ER0 = 4.0L Power Tech	DDQ = 5 Spd. Manual
M = X				DDD = 5 Speed HD Manual
P = Sahara				DG0 = Auto. Trans.
				DBB = Manual Trans.

AR = Use as required - = Non illustrated part # = New this model year

January 26, 2004

Bumper, Front Figure 013-210



ITEM	PART NUMBER	QTY	LINE	SERIES	BODY	ENGINE	TRANS	TRIM	DESCRIPTION
1	5ED16 JX8AF	1							BAR, Bumper Front - Painted
2									EXTENSION, Bumper
	55155 756AA	1	J						Right
	55155 757AA	1	J						Left
	55155 762AA	1							Export, Right
	55155 763AA	1							Export, Left
3									COVER, Bumper
	55155 667AF	1							Export, Right
	55155 668AB	1							Export, Left
4	6100 840	4							NUT, Spring
5	6504 723	4							BOLT
6									SCREW, Pan Head, (NOT SERVICED) (Not Serviced)
7									CAP, (NOT SERVICED) (Not Serviced)
8	6036 181AA	4							SCREW AND WASHER
9	6504 212	2							SCREW, Large Round Washer Head Lock, M6x1.00x20.00
10	6100 840	4							NUT, Spring
11									SCREW, (NOT SERVICED) (Not Serviced)
12									HOOK, Tow
	5205 9015	1							Right
	5205 9016	1							Left
13	6036 060AA	4							SCREW
14									HOOK, Tow
	5205 9015	1							Left Front
	5205 9016	1							Right Front
	52059 379AB	1							Rear
-15									SCREW, (NOT SERVICED) (Not Serviced)
-16	6504 662	4							RETAINER, Push On
-17									NUT, (NOT SERVICED) (Not Serviced)
18	55155 667AF	1							COVER, Bumper
-19	52000 240AC	2							GUARD, Bumper
-20	52059 191AA	2							EYE, Tow

JEEP WRANGLER (TJ)

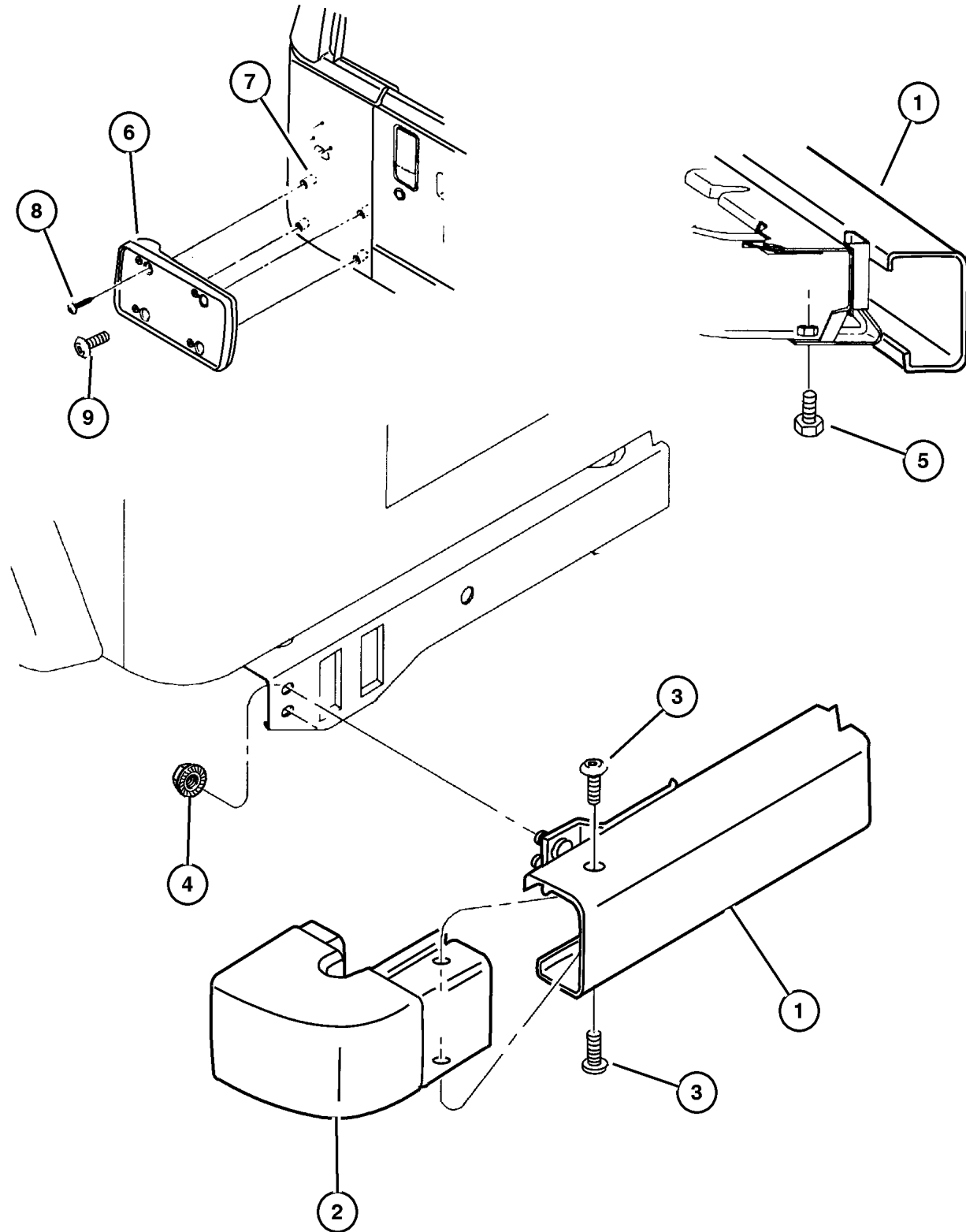
SERIES	LINE	BODY	ENGINE	TRANSMISSION
H = Sport	J = Wrangler 4WD	77 = 93.4 WB	EPE, EP0 = 2.5L Power Tech	DGG, DGD = 32RH 3 Spd. Auto.
L = SE	U = Wrangler 4WD (RHD)		ERH, ER0 = 4.0L Power Tech	DDQ = 5 Spd. Manual
M = X				DDD = 5 Speed HD Manual
P = Sahara				DG0 = Auto. Trans.
				DBB = Manual Trans.

AR = Use as required - = Non illustrated part # = New this model year

January 26, 2004

Bumper, Rear Figure 013-310

ITEM	PART NUMBER	QTY	LINE	SERIES	BODY	ENGINE	TRANS	TRIM	DESCRIPTION
1									BAR, Bumper Rear - Black
	5EY03 JX8AE	1							Export
	5ED18 JX8AB	1	J						
2									EXTENSION, Bumper
	55155 760AA	1	J						Right
	55155 761AA	1	J						Left
	55155 762AA	1							Export, Right
	55155 763AA	1							Export, Left
3	6504 212	2							SCREW, Large Round Washer Head
									Lock, M6x1.00x20.00
4									NUT, Hex, .437-14, (NOT REQUIRED)
5									SCREW, (NOT SERVICED) (Not Serviced)
6	5517 4994	1	J	H, L, P					BRACKET, License Plate
7	6504 662	4							RETAINER, Push On
8									SCREW, (NOT SERVICED) (Not Serviced)
9	3420 1686	2							BOLT, Hex Flange Head, M12x1.18x35
-10	52059 379AB	1							HOOK, Tow



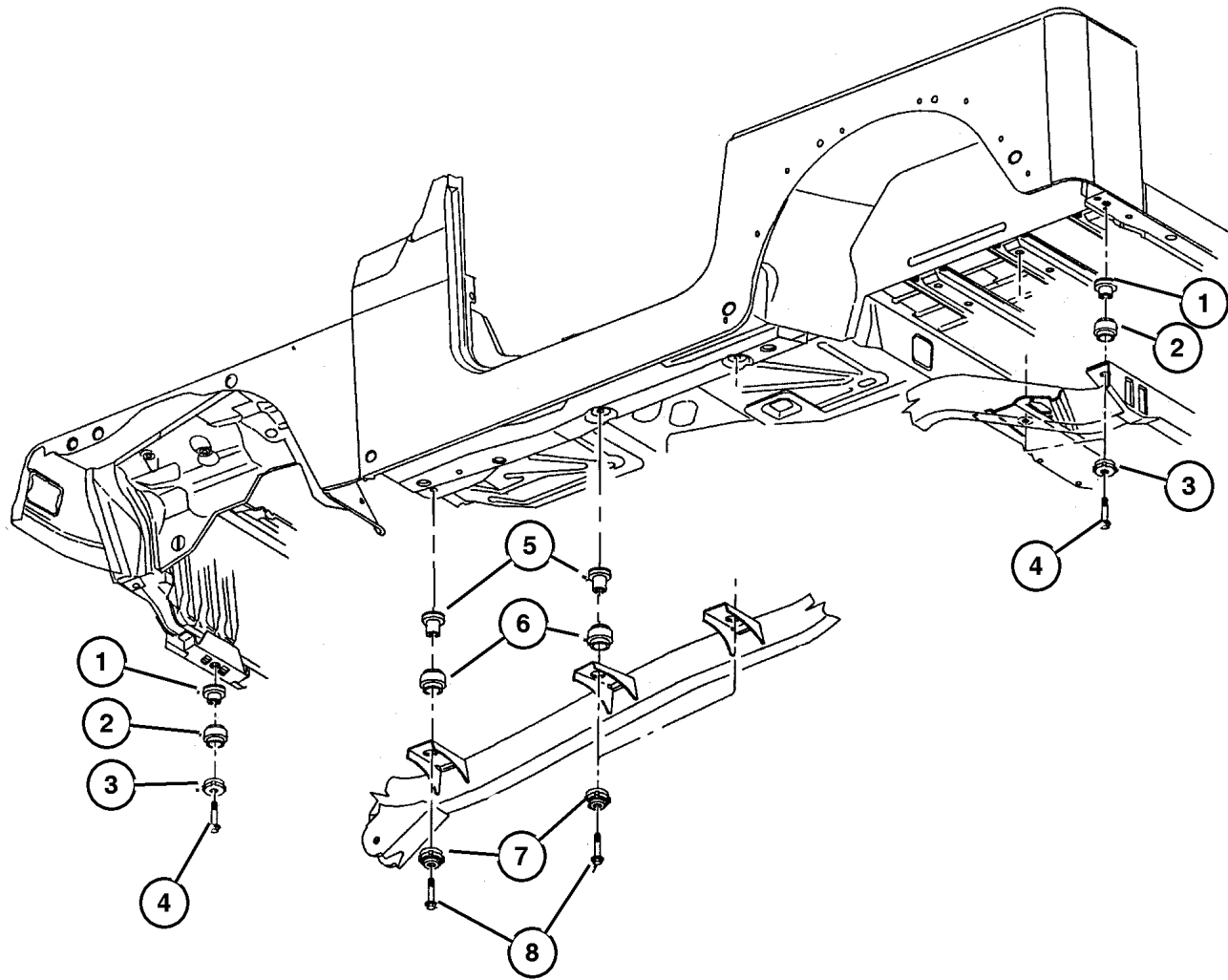
JEEP WRANGLER (TJ)				
SERIES	LINE	BODY	ENGINE	TRANSMISSION
H = Sport	J = Wrangler 4WD	77 = 93.4 WB	EPE, EP0 = 2.5L Power Tech	DGG, DGD = 32RH 3 Spd. Auto.
L = SE	U = Wrangler 4WD (RHD)		ERH, ER0 = 4.0L Power Tech	DDQ = 5 Spd. Manual
M = X				DDD = 5 Speed HD Manual
P = Sahara				DG0 = Auto. Trans.
				DBB = Manual Trans.

AR = Use as required - = Non illustrated part # = New this model year

January 26, 2004

Body Mounting Hardware Figure 013-510

ITEM	PART NUMBER	QTY	LINE	SERIES	BODY	ENGINE	TRANS	TRIM	DESCRIPTION
1	5200 1961	6							RETAINER, Body Mount
2	5517 6179	5							INSULATOR, Body Hold Down
3	5517 6178	5							INSULATOR, Body Hold Down
4									SCREW, .437-14x.75, Use J4007412, (NOT SERVICED) (Not Serviced)
5	5200 1961	6							RETAINER, Body Mount
6	55176 177AB	6							INSULATOR, Body Hold Down
7	5517 6180	6							INSULATOR, Body Hold Down
8									SCREW, Hex Flange Head, .50-13x3.75, (NOT SERVICED) (Not Serviced)



JEEP WRANGLER (TJ)

SERIES	LINE	BODY	ENGINE	TRANSMISSION
H = Sport	J = Wrangler 4WD	77 = 93.4 WB	EPE, EP0 = 2.5L Power Tech	DGG, DGD = 32RH 3 Spd. Auto.
L = SE	U = Wrangler 4WD (RHD)		ERH, ER0 = 4.0L Power Tech	DDQ = 5 Spd. Manual
M = X				DDD = 5 Speed HD Manual
P = Sahara				DG0 = Auto. Trans.
				DBB = Manual Trans.

AR = Use as required - = Non illustrated part # = New this model year

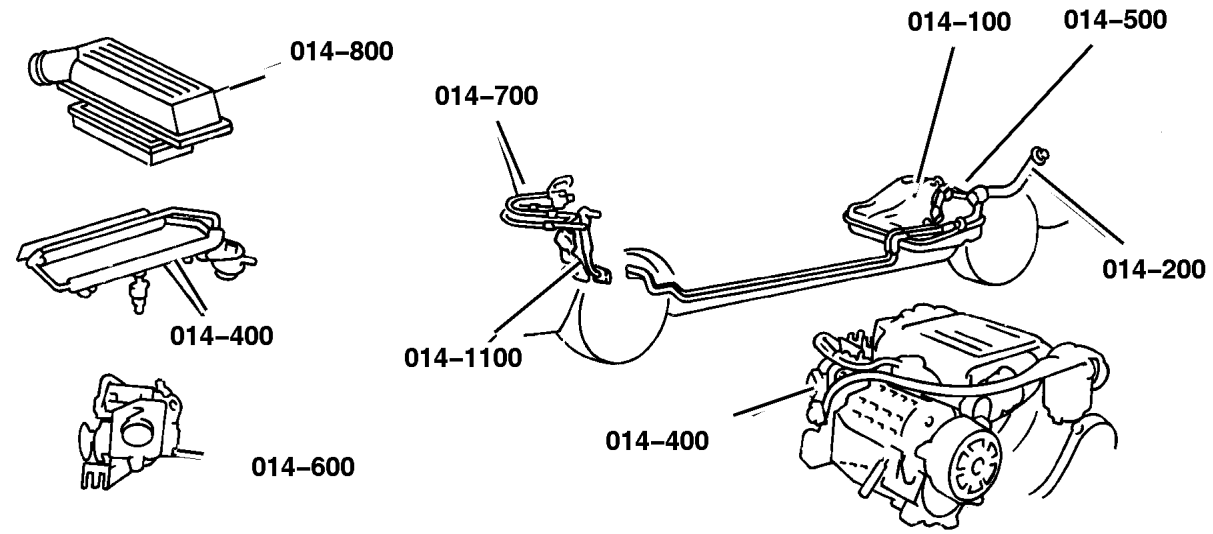
January 26, 2004

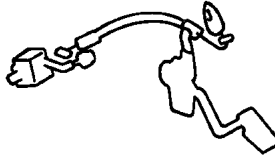

Group – 014

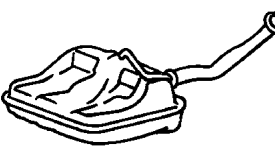


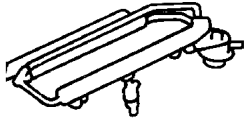
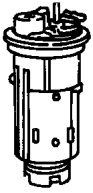

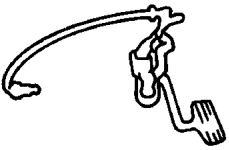
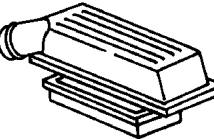
Fuel

Group – 014

Fuel



<p>014-1000 Speed Control</p> 	<p>014-1100 Accelerator Pedal</p> 		
--	--	--	--

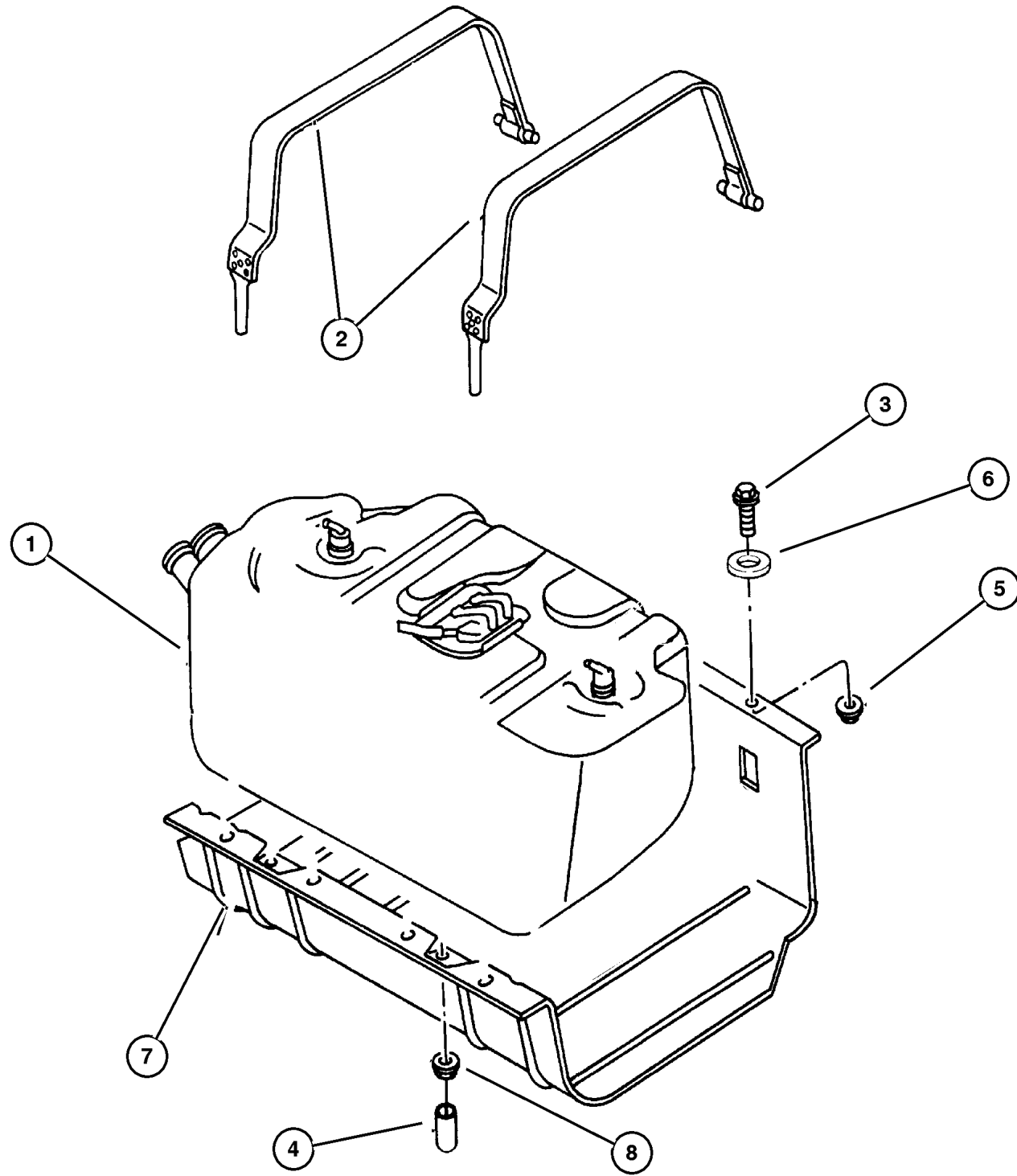
<p>014-100 Tank, Fuel</p> 	<p>014-200 Fuel Tank Filler Tube</p> 	<p>014-300 Fuel Lines</p> 	<p>014-400 Fuel Rail</p> 
<p>014-500 Fuel Pump and Sending Unit</p> 	<p>014-600 Throttle Body</p> 	<p>014-700 Throttle Controls</p> 	<p>014-800 Air Cleaner</p> 



GROUP 14 - Fuel

Illustration Title	Group-Fig. No.
Tank, Fuel	
Fuel Tank, 2.5 (EPE), 4.0 (ERH)	Fig. 014-110
Fuel Tank Filler Tube	
Fuel Filler Tube, 2.5 (EPE), 4.0 (ERH)	Fig. 014-210
Fuel Lines	
Fuel Lines, Front, 2.5 (EPE)	Fig. 014-310
Fuel Lines, Rear, 2.5 (EPE)	Fig. 014-320
Fuel Lines, Front, 4.0 (ERH)	Fig. 014-330
Fuel Lines, Rear, 4.0 (ERH)	Fig. 014-340
Fuel Rail	
Fuel Injection System, 2.5 (EPE), 4.0 (ERH)	Fig. 014-410
Fuel Pump and Sending Unit	
Fuel Module, 2.5 (EPE), 4.0 (ERH)	Fig. 014-510
Throttle Body	
Throttle Body, 2.5 (EPE), 4.0 (ERH)	Fig. 014-610
Throttle Controls	
Throttle Controls, 2.5 (EPE), 4.0 (ERH)	Fig. 014-710
Air Cleaner	
Air Cleaner, 2.5 (EPE), 4.0 (ERH)	Fig. 014-810
Speed Control	
Speed Control, 2.5 (EPE), 4.0 (ERH)	Fig. 014-1010
Accelerator Pedal	
Accelerator Pedal, 2.5 (EPE), 4.0 (ERH)	Fig. 014-1110

Fuel Tank, 2.5 (EPE), 4.0 (ERH)
Figure 014-110



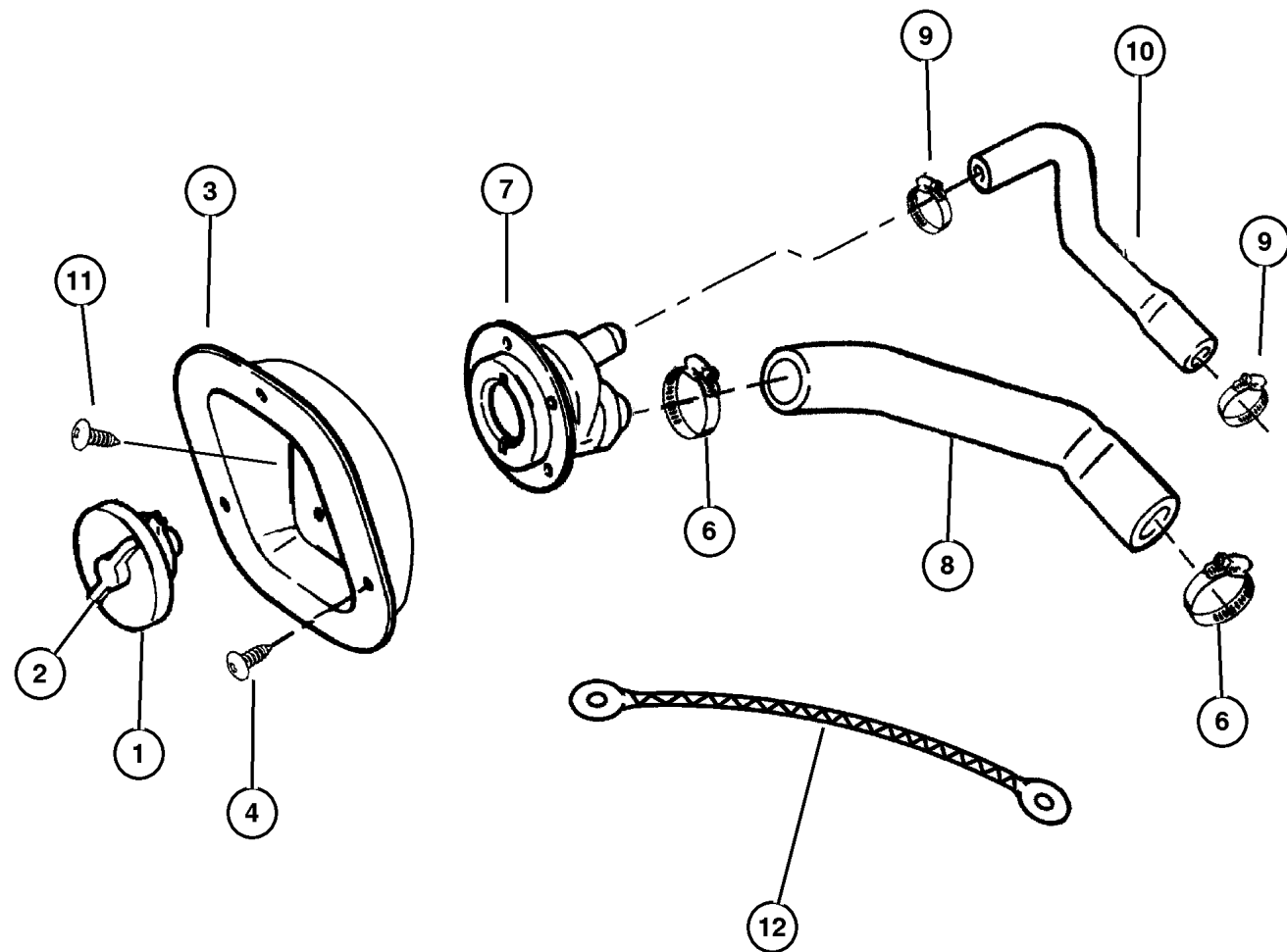
ITEM	PART NUMBER	QTY	LINE	SERIES	BODY	ENGINE	TRANS	TRIM	DESCRIPTION
NOTE: EP0=All 2.5L Gas Engines ER0=All 4.0L Engines									
1	52018 768AE	1				EP0, ER0			TANK, Fuel
2	5210 0235	2							STRAP, Fuel Tank
3									BOLT, .312-18x.750, (NOT SERVICED) (Not Serviced)
4	5201 8098	2							CAP, Support Strap Stud
5	J400 3587	2							NUT, Hex
6	J400 5293	7							RETAINER, Push In Type M6.3 Hole
7	52100 219AB	1							PLATE, Skid, With Sales Code XEE
8	J400 3587	2							NUT, Hex

JEEP WRANGLER (TJ)			
SERIES	LINE	BODY	ENGINE
H = Sport	J = Wrangler 4WD	77 = 93.4 WB	EPE, EP0 = 2.5L Power Tech
L = SE	U = Wrangler 4WD (RHD)		ERH, ER0 = 4.0L Power Tech
M = X			
P = Sahara			
			TRANSMISSION
			DGG, DGD = 32RH 3 Spd. Auto.
			DDQ = 5 Spd. Manual
			DDD = 5 Speed HD Manual
			DG0 = Auto. Trans.
			DBB = Manual Trans.

AR = Use as required - = Non illustrated part # = New this model year

January 26, 2004

Fuel Filler Tube, 2.5 (EPE), 4.0 (ERH)
Figure 014-210



ITEM	PART NUMBER	QTY	LINE	SERIES	BODY	ENGINE	TRANS	TRIM	DESCRIPTION
NOTE: EP0=All 2.5L Gas Engines ER0=All 4.0L Engines									
1	52100 552AB	1	J						CAP, Fuel Filler Non Locking,Quick On
	52100 553AB	1	J						Export,Non Locking Quick On
2	#5016 763AC	1							CAP KIT, Fuel Tank Locking, Locking
3	52127 675AC	1							HOUSING, Fuel Filler
4	0153 651	4							SCREW AND WASHER, .190-16x. 500, [.190-16x.500]
-5	0153 651	4							SCREW AND WASHER, .190-16x. 500
6	6502 090	1				EP0, ER0			CLAMP, Hose
7	52079 326AC	1				EP0, ER0			TUBE, Fuel Filler Leaded Fuel
	52079 325AC	1				EP0, ER0			
8	52100 032AD	1				EP0, ER0			HOSE, Fuel Filler, U.S Export and Leaded Fuel
9	J320 3077	1				EP0, ER0			CLAMP, Hose
10	52100 033AD	1				EP0, ER0			HOSE, Fuel Tank Vent, U.S,Export and Leaded Fuel
11	0153 832	4							SCREW, .190-16x1.00
12	5600 9161	1							STRAP, Ground

JEEP WRANGLER (TJ)			
SERIES	LINE	BODY	ENGINE
H = Sport	J = Wrangler 4WD	77 = 93.4 WB	EPE, EP0 = 2.5L Power Tech
L = SE	U = Wrangler 4WD (RHD)		ERH, ER0 = 4.0L Power Tech
M = X			
P = Sahara			

TRANSMISSION
DGG, DGD = 32RH 3 Spd. Auto.
DDQ = 5 Spd. Manual
DDD = 5 Speed HD Manual
DG0 = Auto. Trans.
DBB = Manual Trans.

AR = Use as required - = Non illustrated part # = New this model year

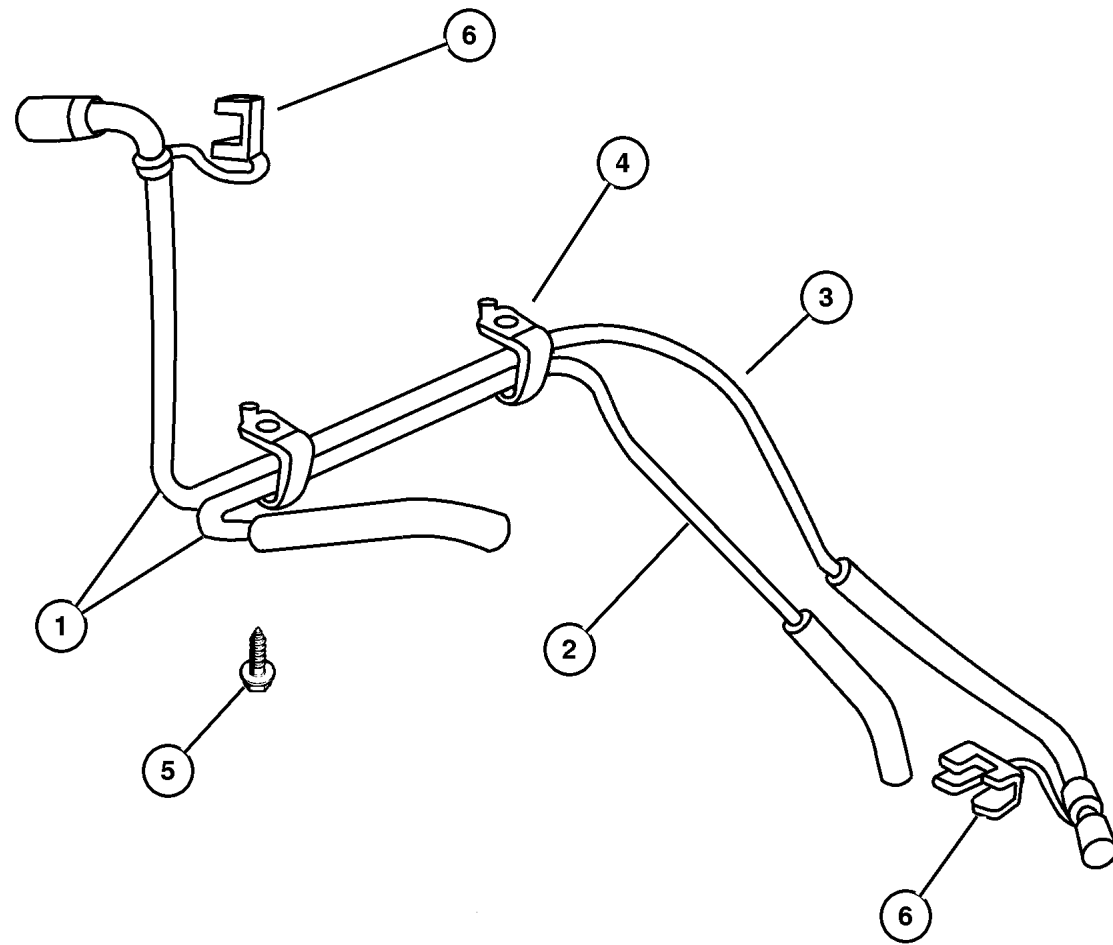
January 26, 2004

Fuel Lines, Front, 2.5 (EPE)
Figure 014-310

ITEM	PART NUMBER	QTY	LINE	SERIES	BODY	ENGINE	TRANS	TRIM	DESCRIPTION
------	-------------	-----	------	--------	------	--------	-------	------	-------------

NOTE: EP0=All 2.5L Gas Engines

1	52100 278AG	1				EP0			BUNDLE, Fuel Line
2									TUBE, Fuel, Serviced in Fuel Bundle , (NOT SERVICED) (Not Serviced)
3									TUBE, Fuel Vapor, Serviced in Fuel Bundle, (NOT SERVICED) (Not Serviced)
4									CLIP, Fuel Line, Serviced in Fuel Bundle , (NOT SERVICED) (Not Serviced)
5									SCREW, Self Tapping, M6x1x15, (NOT REQUIRED)
6									CLIP, Fuel Line, Serviced in Fuel Bundle, (NOT SERVICED) (Not Serviced)



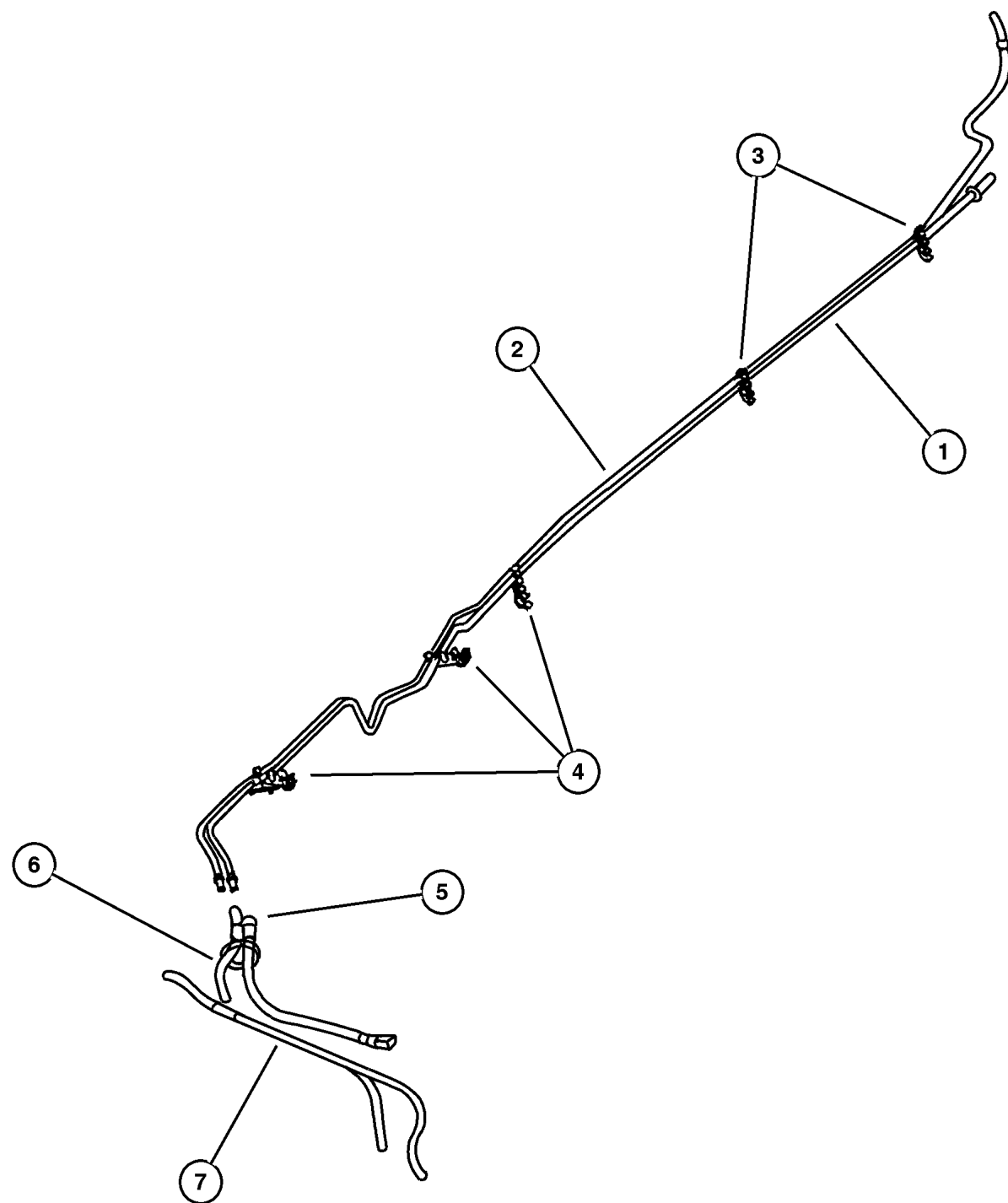
JEEP WRANGLER (TJ)

SERIES	LINE	BODY	ENGINE	TRANSMISSION
H = Sport	J = Wrangler 4WD	77 = 93.4 WB	EPE, EP0 = 2.5L Power Tech	DGG, DGD = 32RH 3 Spd. Auto.
L = SE	U = Wrangler 4WD (RHD)		ERH, ER0 = 4.0L Power Tech	DDQ = 5 Spd. Manual
M = X				DDD = 5 Speed HD Manual
P = Sahara				DG0 = Auto. Trans.
				DBB = Manual Trans.

AR = Use as required - = Non illustrated part # = New this model year

January 26, 2004

Fuel Lines, Rear, 2.5 (EPE)
Figure 014-320



ITEM	PART NUMBER	QTY	LINE	SERIES	BODY	ENGINE	TRANS	TRIM	DESCRIPTION
Note; EP0= All 2.5L 4 Cylinder Gas Engines ER0= All 4.0L 6 Cylinder Gas Engines									
1	5212 7502	1				EP0, ER0			TUBE, Fuel Supply
2	5212 7601	1				EP0, ER0			TUBE, Fuel Vapor
3	3420 2371	2				EP0, ER0			CLIP, Quad Tubes
4	5200 7995	3				EP0, ER0			CLIP, Five Way Fastener
5	52100 167AB	1				EP0, ER0			BUNDLE, Fuel Line, Chassis To Fuel Tank
6									HOSE, Fuel And Vapor, 25 Foot Roll 3/16", (NOT SERVICED) (Not Serviced)
7	52100 185AB	1				EP0, ER0			HOSE, Fuel Vapor

JEEP WRANGLER (TJ)			
SERIES	LINE	BODY	ENGINE
H = Sport	J = Wrangler 4WD	77 = 93.4 WB	EPE, EP0 = 2.5L Power Tech
L = SE	U = Wrangler 4WD (RHD)		ERH, ER0 = 4.0L Power Tech
M = X			
P = Sahara			

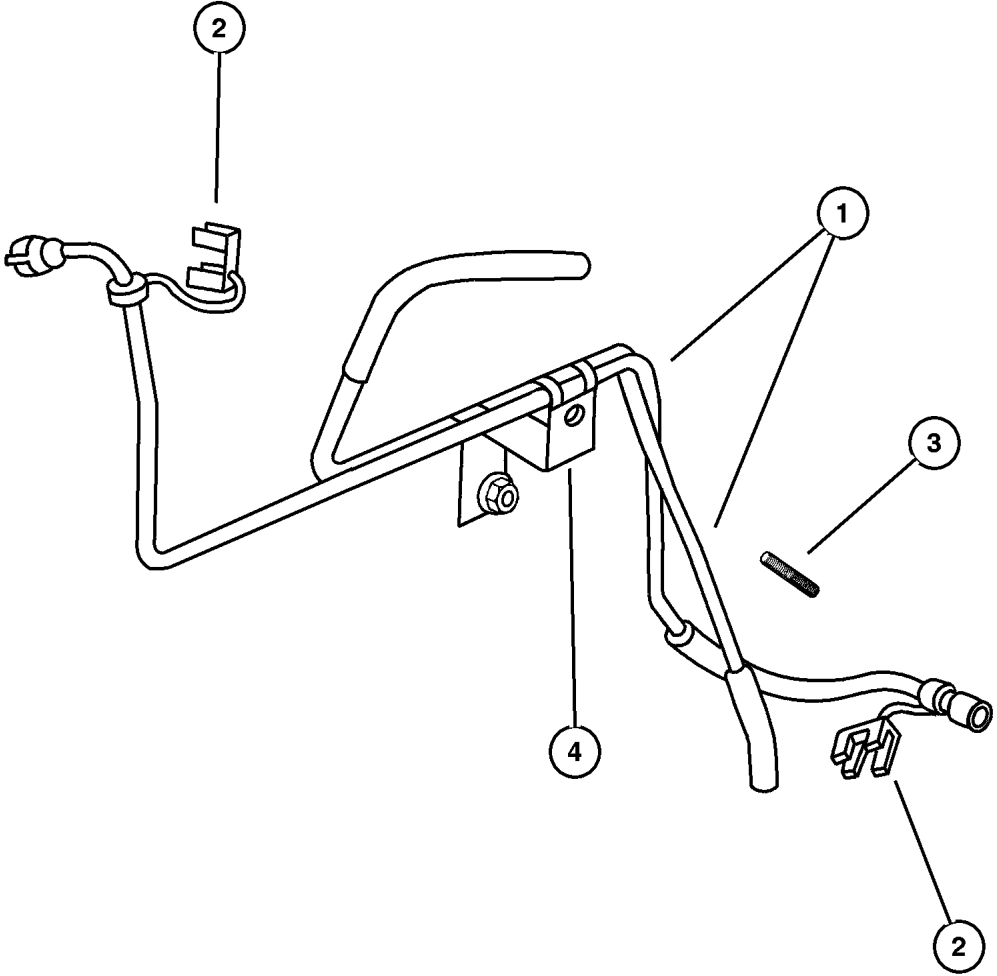
TRANSMISSION
DGG, DGD = 32RH 3 Spd. Auto.
DDQ = 5 Spd. Manual
DDD = 5 Speed HD Manual
DG0 = Auto. Trans.
DBB = Manual Trans.

AR = Use as required - = Non illustrated part # = New this model year

January 26, 2004

Fuel Lines, Front, 4.0 (ERH)
Figure 014-330

ITEM	PART NUMBER	QTY	LINE	SERIES	BODY	ENGINE	TRANS	TRIM	DESCRIPTION
Note; ERO= All 4.0 Gas Engines									
1	52100 272AH	1				ERO			BUNDLE, Fuel Line
2									CLIP, Fuel Line, Serviced in Fuel Bundle , (NOT SERVICED) (Not Serviced)
3	6505 600AA	1				ERO			STUD
4									BRACKET, (NOT SERVICED) (Not Serviced)

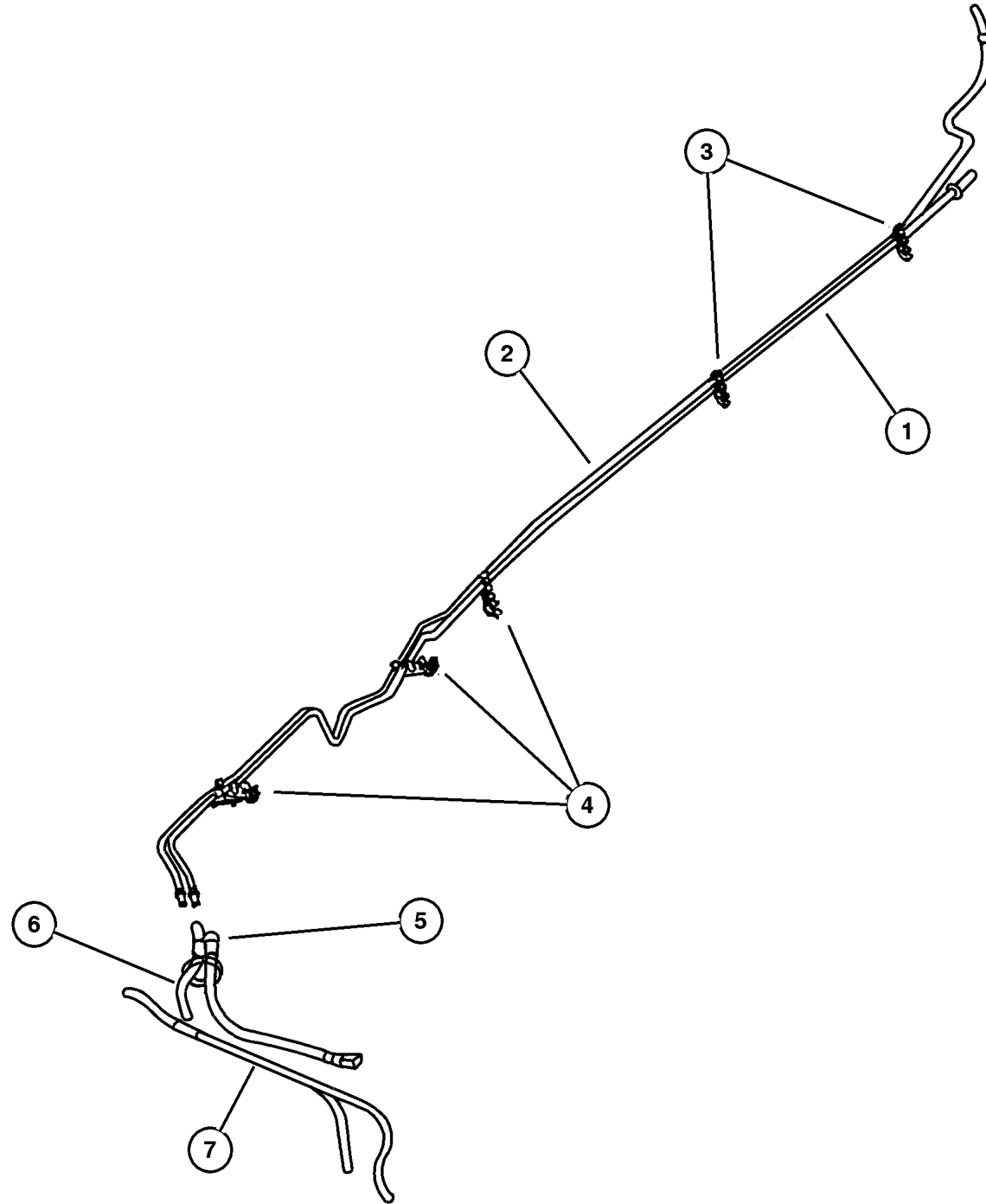


JEEP WRANGLER (TJ)		BODY	ENGINE	TRANSMISSION
SERIES	LINE	77 = 93.4 WB	EPE, EP0 = 2.5L Power Tech ERH, ER0 = 4.0L Power Tech	DGG, DGD = 32RH 3 Spd. Auto. DDQ = 5 Spd. Manual DDD = 5 Speed HD Manual DG0 = Auto. Trans. DBB = Manual Trans.
H = Sport	J = Wrangler 4WD			
L = SE	U = Wrangler 4WD (RHD)			
M = X				
P = Sahara				

AR = Use as required - = Non illustrated part # = New this model year

January 26, 2004

Fuel Lines, Rear, 4.0 (ERH)
Figure 014-340



ITEM	PART NUMBER	QTY	LINE	SERIES	BODY	ENGINE	TRANS	TRIM	DESCRIPTION
Note; EP0= All 2.5L 4 Cylinder Gas Engines ER0= All 4.0L 6 Cylinder Gas Engines									
1	5212 7502	1				EP0, ER0			TUBE, Fuel Supply
2	5212 7601	1				EP0, ER0			TUBE, Fuel Vapor
3	3420 2371	2				EP0, ER0			CLIP, Quad Tubes
4	5200 7995	3				EP0, ER0			CLIP, Five Way Fastener
5	52100 167AB	1				EP0, ER0			BUNDLE, Fuel Line
6									HOSE, Fuel And Vapor, 25 Foot Roll 3/16", (NOT SERVICED) (Not Serviced)
7	52100 185AB	1				EP0, ER0			HOSE, Fuel Vapor

JEEP WRANGLER (TJ)

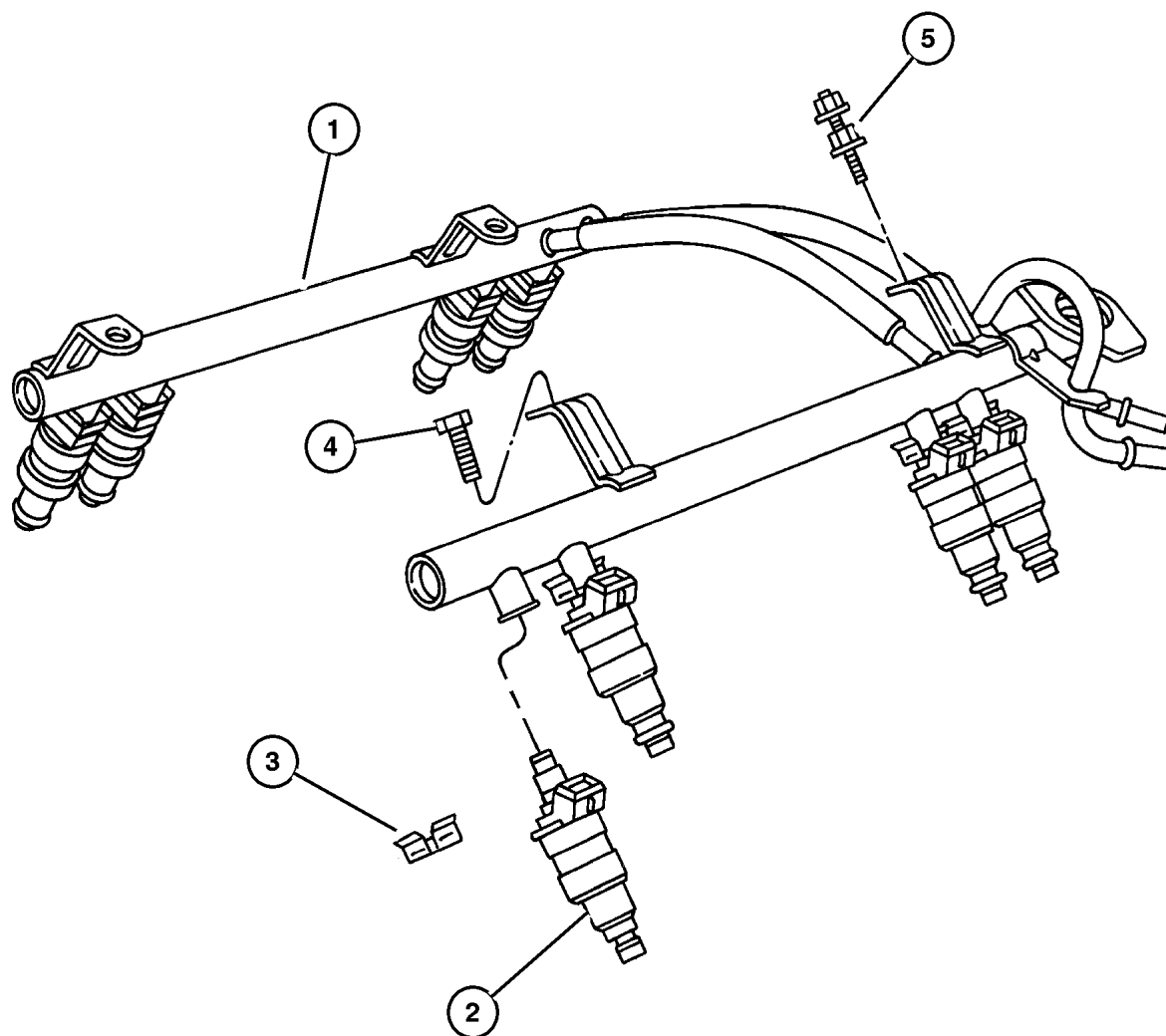
SERIES	LINE	BODY	ENGINE	TRANSMISSION
H = Sport	J = Wrangler 4WD	77 = 93.4 WB	EPE, EP0 = 2.5L Power Tech	DGG, DGD = 32RH 3 Spd. Auto.
L = SE	U = Wrangler 4WD (RHD)		ERH, ER0 = 4.0L Power Tech	DDQ = 5 Spd. Manual
M = X				DDD = 5 Speed HD Manual
P = Sahara				DG0 = Auto. Trans.
				DBB = Manual Trans.

AR = Use as required - = Non illustrated part # = New this model year

January 26, 2004

**Fuel Injection System, 2.5 (EPE), 4.0 (ERH)
Figure 014-410**

ITEM	PART NUMBER	QTY	LINE	SERIES	BODY	ENGINE	TRANS	TRIM	DESCRIPTION
NOTE: ED1=All 2.4L Gas Engines ER0=All 4.0L Engines									
1									RAIL, Fuel
	5013 157AA	1				EPO			
	#5014 496AB	1				ER0			
2									INJECTOR, Fuel
	5303 0778	4				EPO			Engines - All 2.5L 4 CYL Gas
	4854 181	6				ER0			Engines - All 4.0L 6 CYL Gas
3	4418 257AB	4				EPO			CLIP, Fuel Injector
4	6501 979	2				ER0			SCREW AND WASHER, Hex Head, M6x1x17
5	6502 086	2				EPO			STUD
-6	6502 647	2				ER0			STUD, M6x1.00x44
-7	5018 781AA	1				EPO			CAP, Diagnostic Port

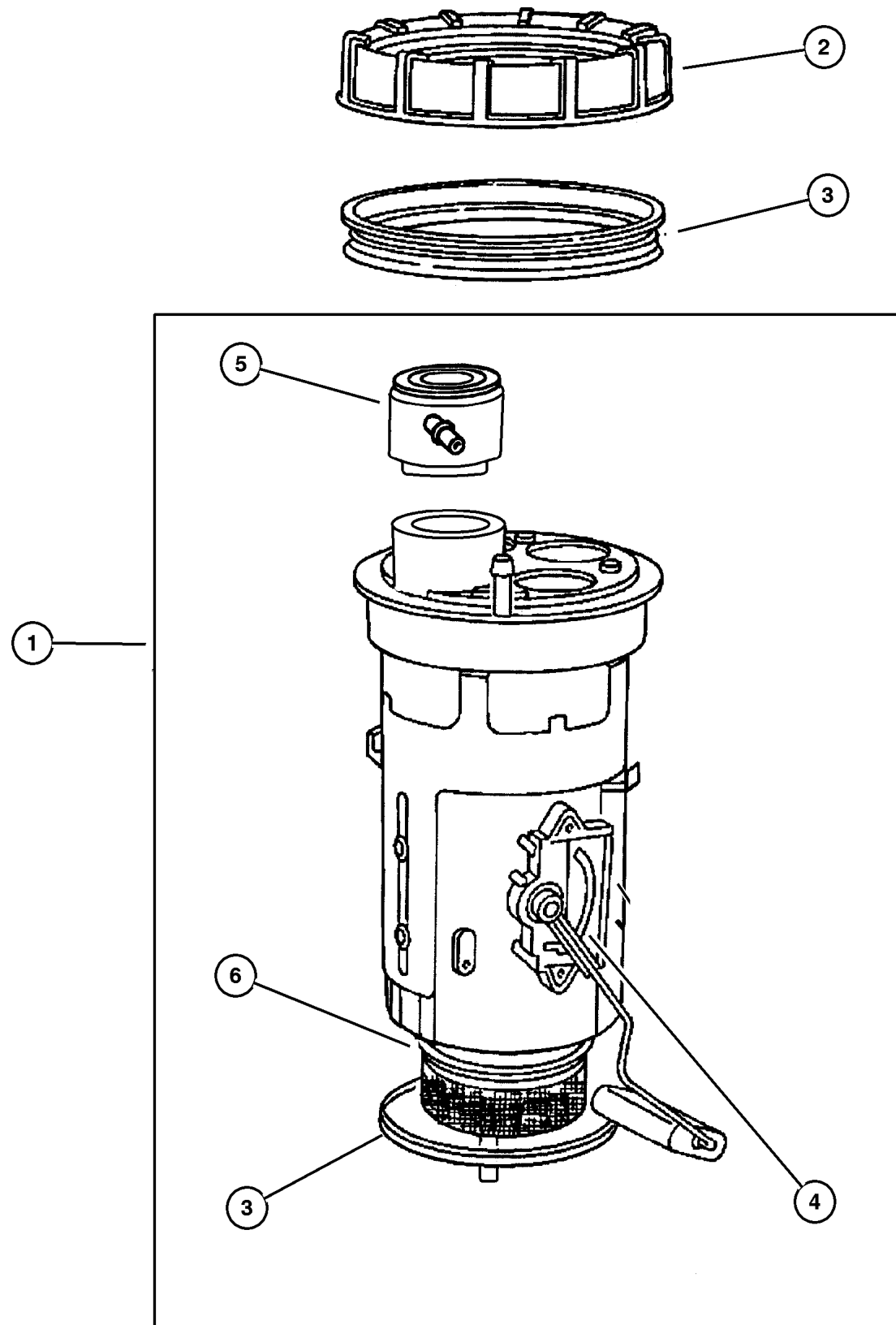


JEEP WRANGLER (TJ)				
SERIES	LINE	BODY	ENGINE	TRANSMISSION
H = Sport	J = Wrangler 4WD	77 = 93.4 WB	EPE, EPO = 2.5L Power Tech	DGG, DGD = 32RH 3 Spd. Auto.
L = SE	U = Wrangler 4WD (RHD)		ERH, ER0 = 4.0L Power Tech	DDQ = 5 Spd. Manual
M = X				DDD = 5 Speed HD Manual
P = Sahara				DG0 = Auto. Trans.
				DBB = Manual Trans.

AR = Use as required - = Non illustrated part # = New this model year

January 26, 2004

Fuel Module, 2.5 (EPE), 4.0 (ERH)
Figure 014-510



ITEM	PART NUMBER	QTY	LINE	SERIES	BODY	ENGINE	TRANS	TRIM	DESCRIPTION
NOTE: EP0=All 2.5L Gas Engines ER0=All 4.0L Engines									
1	5012 952AB	1				EP0, ER0			MODULE PACKAGE, Fuel Tank
2	5200 5389	1				EP0, ER0			NUT, Fuel Pump Module
3	5201 8808	1				EP0, ER0			SEAL, Fuel Pump and Level Unit
4	4897 757AC	1				EP0, ER0			LEVEL UNIT PACKAGE, Fuel
5	4798 301	1				EP0, ER0			FILTER, Fuel
6									FILTER, Fuel Module, Serviced in Module Assembly, (NOT SERVICED) (Not Serviced)

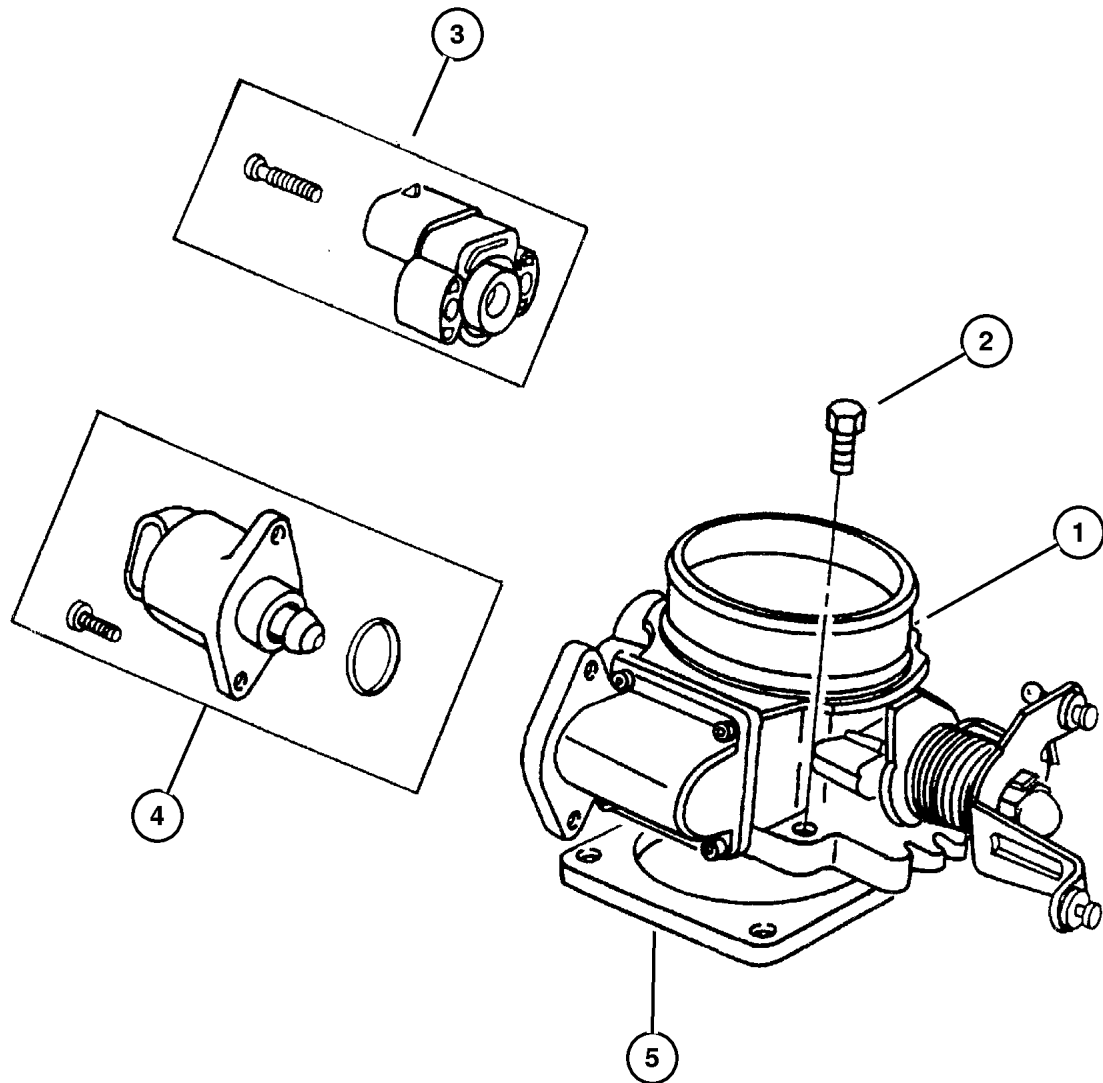
JEEP WRANGLER (TJ)			
SERIES	LINE	BODY	ENGINE
H = Sport	J = Wrangler 4WD	77 = 93.4 WB	EPE, EP0 = 2.5L Power Tech
L = SE	U = Wrangler 4WD (RHD)		ERH, ER0 = 4.0L Power Tech
M = X			
P = Sahara			

TRANSMISSION
DGG, DGD = 32RH 3 Spd. Auto.
DDQ = 5 Spd. Manual
DDD = 5 Speed HD Manual
DG0 = Auto. Trans.
DBB = Manual Trans.

AR = Use as required - = Non illustrated part # = New this model year

January 26, 2004

Throttle Body, 2.5 (EPE), 4.0 (ERH)
Figure 014-610



ITEM	PART NUMBER	QTY	LINE	SERIES	BODY	ENGINE	TRANS	TRIM	DESCRIPTION
NOTE: EP0=All 2.5L Gas Engines ER0=All 4.0L Engines									
1									THROTTLE BODY
	#53013 143AA	1				EP0			
	#53013 290AA	1				ER0			
2	6503 929	4				EP0,			SCREW AND WASHER, Coned
						ER0			Pilot, M6x1x30
3									SENSOR PACKAGE, Throttle
	#5086 203AA	1				EP0			Position
		1				ER0			
4	4874 373AB	1				EP0			MOTOR, Air Idle Speed
		1				ER0			
5	5300 7543	1				EP0,			GASKET, Throttle Body
						ER0			
-6	5300 9672	1				EP0,			CONNECTOR, Emission Hose
						ER0			

JEEP WRANGLER (TJ)			
SERIES	LINE	BODY	ENGINE
H = Sport	J = Wrangler 4WD	77 = 93.4 WB	EPE, EP0 = 2.5L Power Tech
L = SE	U = Wrangler 4WD (RHD)		ERH, ER0 = 4.0L Power Tech
M = X			
P = Sahara			

TRANSMISSION
DGG, DGD = 32RH 3 Spd. Auto.
DDQ = 5 Spd. Manual
DDD = 5 Speed HD Manual
DG0 = Auto. Trans.
DBB = Manual Trans.

AR = Use as required - = Non illustrated part # = New this model year

January 26, 2004

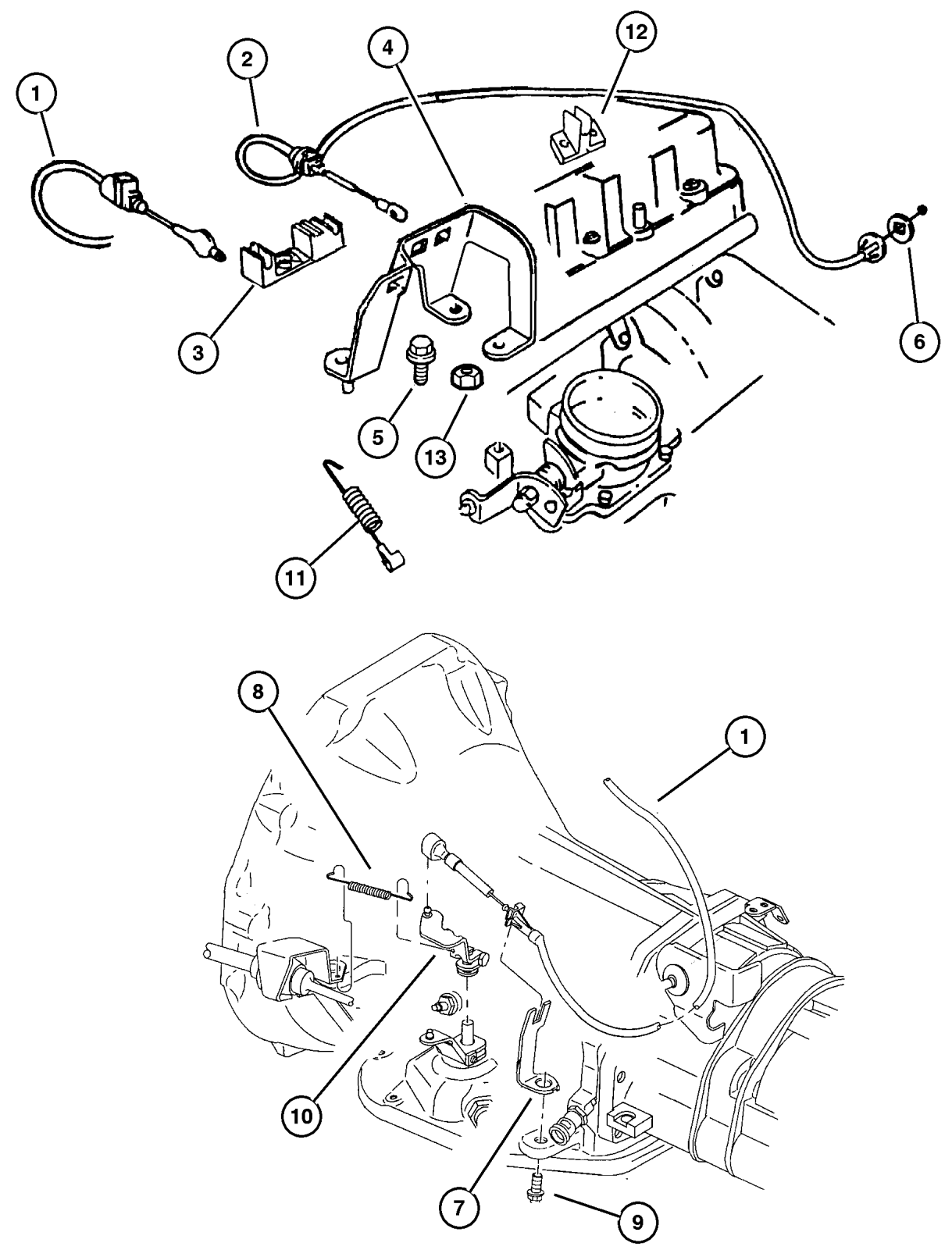
**Throttle Controls, 2.5 (EPE), 4.0 (ERH)
Figure 014-710**

ITEM	PART NUMBER	QTY	LINE	SERIES	BODY	ENGINE	TRANS	TRIM	DESCRIPTION
NOTE: EP0=All 2.5L Gas Engines ER0=All 4.0L Engines DBB=All Manual Transmissions DG0=All Automatic Transmissions									
1	52104 352AA	1				EP0, ER0	DG0		CABLE, Throttle Valve
2	4854 137	1							CABLE, Accelerator
3									GUIDE, Accelerator Cable
4	5300 7620	1				EP0			BRACKET, Accelerator Cable
	5207 9029	1				ER0			
5	5300 7485	1				EP0			SCREW AND WASHER, Hex Head, M6x1x17
	53013 160AA	1				ER0			
6	6501 979	2				EP0			PLUG, Access Hole, (NOT REQUIRED)
		2				ER0			
7	5207 8867	1				EP0, ER0	DG0		BRACKET, Cable
8	5300 9055	1				EP0, ER0	DG0		SPRING, Throttle Valve Return
9	6029 799	1				EP0, ER0	DG0		BOLT, Hex Head, .375-16x1.00
10	52078 723AB	1				EP0, ER0	DG0		LEVER, Throttle Valve
11	52078 102AB	1				EP0, ER0	DBB		SPRING, Throttle Return
12	5207 8987	1	J			ER0			GUIDE, Accelerator Cable
13	6503 825	2				ER0			NUT AND WASHER, Hex Nut-Coned Washer, M6 x 1.00

JEEP WRANGLER (TJ)				
SERIES	LINE	BODY	ENGINE	TRANSMISSION
H = Sport	J = Wrangler 4WD	77 = 93.4 WB	EPE, EP0 = 2.5L Power Tech	DGG, DGD = 32RH 3 Spd. Auto.
L = SE	U = Wrangler 4WD (RHD)		ERH, ER0 = 4.0L Power Tech	DDQ = 5 Spd. Manual
M = X				DDD = 5 Speed HD Manual
P = Sahara				DG0 = Auto. Trans.
				DBB = Manual Trans.

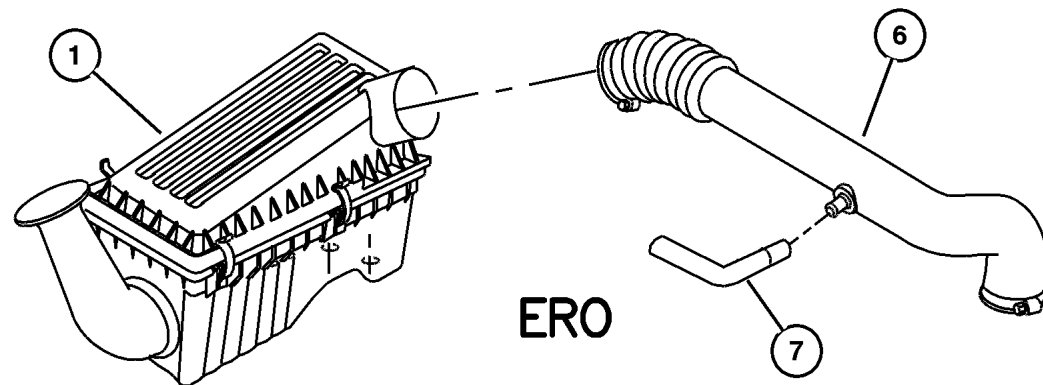
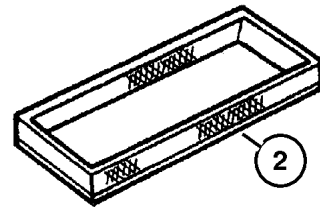
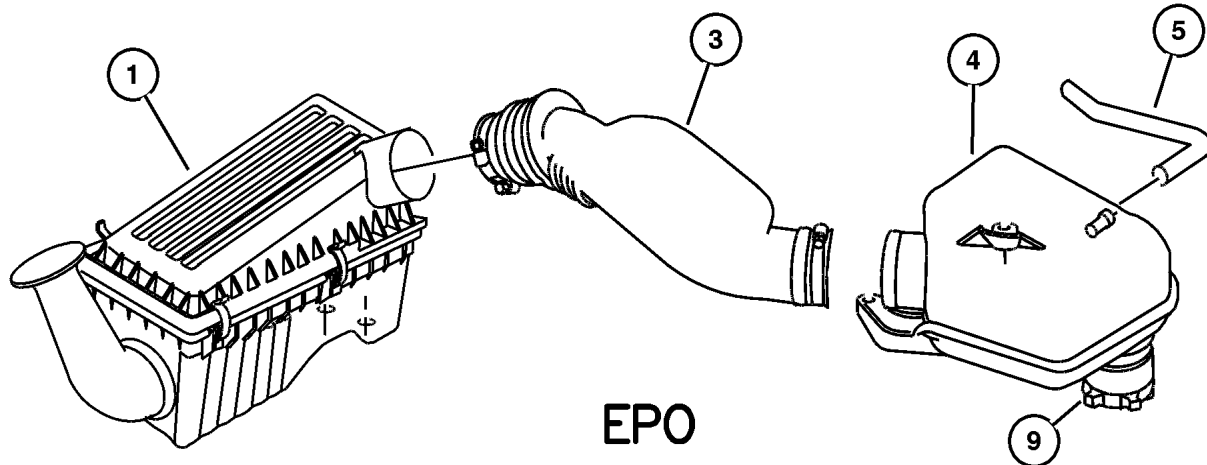
AR = Use as required - = Non illustrated part # = New this model year

January 26, 2004



**Air Cleaner, 2.5 (EPE), 4.0 (ERH)
Figure 014-810**

ITEM	PART NUMBER	QTY	LINE	SERIES	BODY	ENGINE	TRANS	TRIM	DESCRIPTION
NOTE: EP0=All 2.5L Gas Engines ER0=All 4.0L Engines									
1	53013 650AA	1				EP0, ER0			AIR CLEANER
2	4797 777	1				EP0, ER0			FILTER, Air
3	5303 0610	1				EP0			HOSE, Air Cleaner
4	5303 0759	1				EP0			RESONATOR, Air Cleaner
5	5303 0614	1				EP0			TUBE, Crankcase Vent Valve
6	5303 0611	1				ER0			HOSE, Air Cleaner
7	5303 0615	1				ER0			TUBE, Crankcase Vent Valve
-8	6101 444	3				EP0, ER0			NUT AND WASHER, Hex, M6x1.0, Air Cleaner Mounting Nut
9	53032 086AA	1				EP0			CLAMP



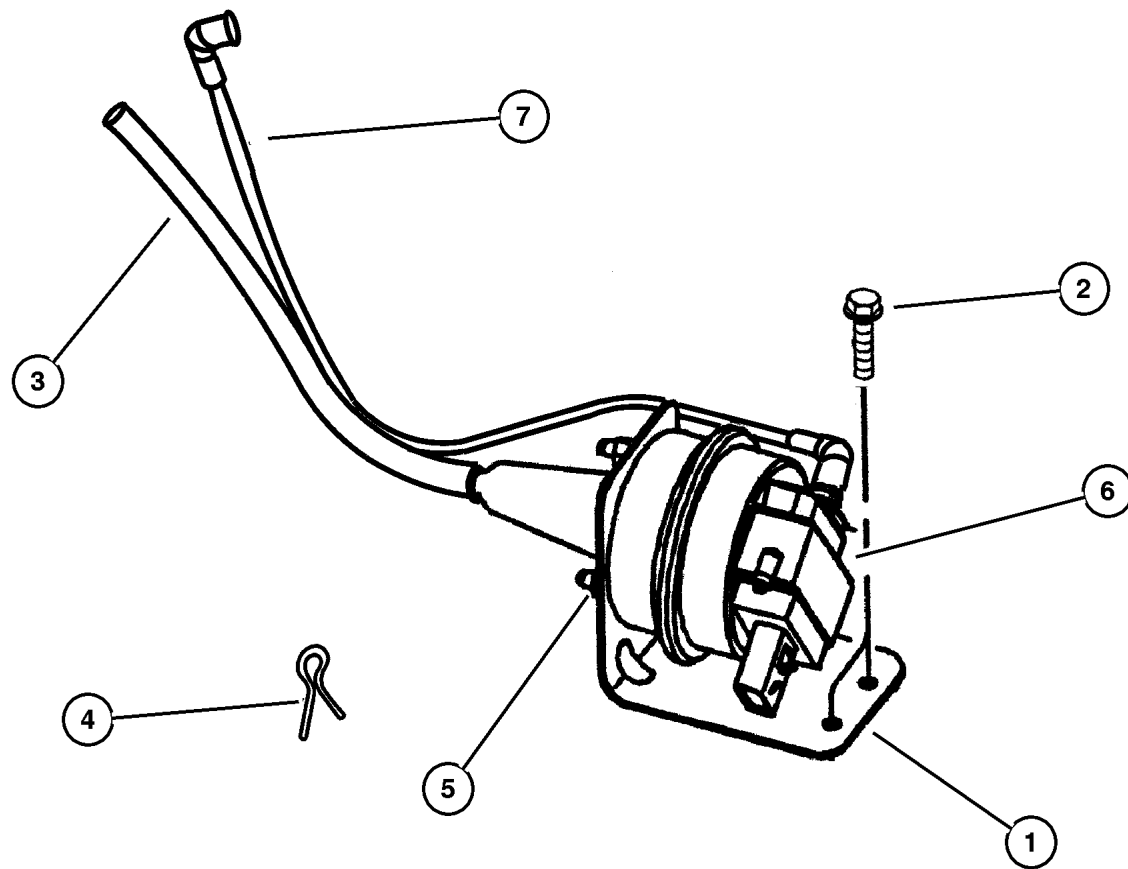
JEEP WRANGLER (TJ)				
SERIES	LINE	BODY	ENGINE	TRANSMISSION
H = Sport	J = Wrangler 4WD	77 = 93.4 WB	EPE, EP0 = 2.5L Power Tech	DGG, DGD = 32RH 3 Spd. Auto.
L = SE	U = Wrangler 4WD (RHD)		ERH, ER0 = 4.0L Power Tech	DDQ = 5 Spd. Manual
M = X				DDD = 5 Speed HD Manual
P = Sahara				DG0 = Auto. Trans.
				DBB = Manual Trans.

AR = Use as required - = Non illustrated part # = New this model year

January 26, 2004

**Speed Control, 2.5 (EPE), 4.0 (ERH)
Figure 014-1010**

ITEM	PART NUMBER	QTY	LINE	SERIES	BODY	ENGINE	TRANS	TRIM	DESCRIPTION
Note; EPO= All 2.5 Gas Engines, ERO= All 4.0 Gas Engines.									
1									BRACKET, Speed Control Servo
	4854 155	1	J						
	53013 058AA	1	U						
2									SCREW, M6x1.00x20.00, (NOT SERVICED) (Not Serviced)
3									CABLE, Speed Control
	4854 156	1	J						
	53013 059AA	1	U						
4									CLIP, Cable to Servo Attach
	6025 867	1	J						
		1	U						
5									NUT, Hex Flange Serration, M6x1
	6502 493	2	J						
		2	U						
6									SERVO, Speed Control
	4669 979	1	J						
		1	U						
7									HARNESS, Speed Control Vacuum
	53013 010AA	1	J						
	53013 063AA	1	U						

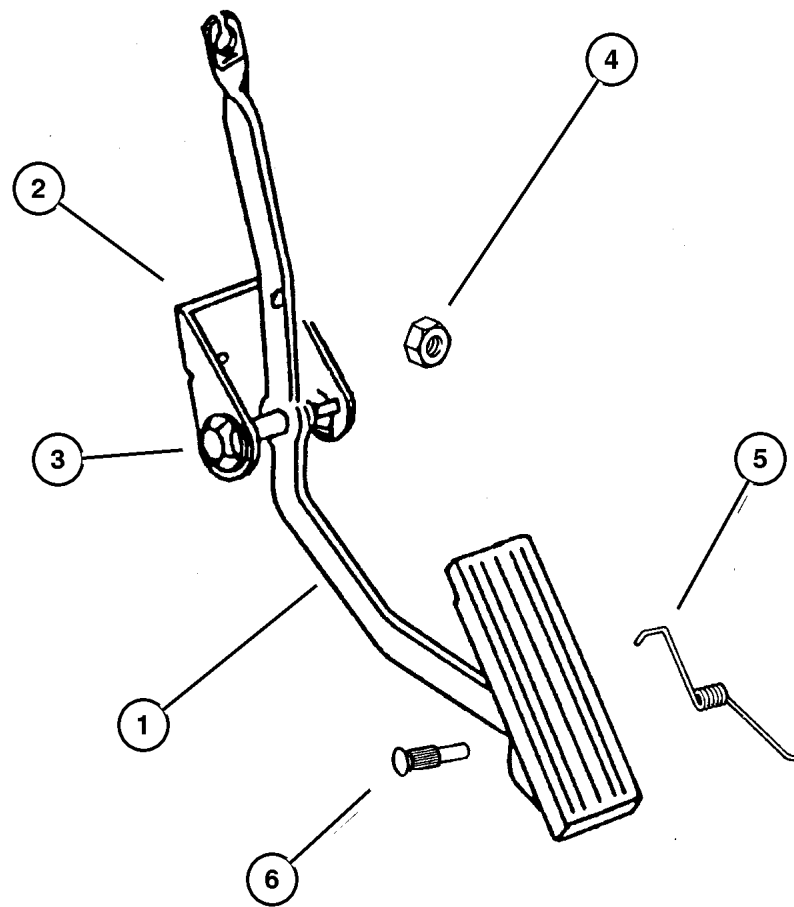


JEEP WRANGLER (TJ)				
SERIES	LINE	BODY	ENGINE	TRANSMISSION
H = Sport	J = Wrangler 4WD	77 = 93.4 WB	EPE, EP0 = 2.5L Power Tech	DGG, DGD = 32RH 3 Spd. Auto.
L = SE	U = Wrangler 4WD (RHD)		ERH, ER0 = 4.0L Power Tech	DDQ = 5 Spd. Manual
M = X				DDD = 5 Speed HD Manual
P = Sahara				DG0 = Auto. Trans.
				DBB = Manual Trans.

AR = Use as required - = Non illustrated part # = New this model year

January 26, 2004

**Accelerator Pedal, 2.5 (EPE), 4.0 (ERH)
Figure 014-1110**



ITEM	PART NUMBER	QTY	LINE	SERIES	BODY	ENGINE	TRANS	TRIM	DESCRIPTION
NOTE: EP0=All 2.5L Gas Engines ER0=All 4.0L Engines									
1									PEDAL, Accelerator
	5207 8714	1	J			EP0, ER0			
	5207 8715	1	U			EP0, ER0			
2									BRACKET, Accelerator Cable, Serviced in Pedal Assembly, (NOT SERVICED) (Not Serviced)
3									BUSHING, Accelerator Pedal
	5207 8653	2	J			EP0, ER0			
		2	U			EP0, ER0			
4	3420 1680	2							NUT, Hex Flange, M6x1
5									SPRING, Torsion
	5303 0874	1	J			EP0, ER0			
		1	U			EP0, ER0			
6									PIN, Accelerator Pedal Mtg.
	5207 9019	1	J			EP0, ER0			
		1	U			EP0, ER0			

JEEP WRANGLER (TJ)

SERIES	LINE	BODY	ENGINE	TRANSMISSION
H = Sport	J = Wrangler 4WD	77 = 93.4 WB	EPE, EP0 = 2.5L Power Tech	DGG, DGD = 32RH 3 Spd. Auto.
L = SE	U = Wrangler 4WD (RHD)		ERH, ER0 = 4.0L Power Tech	DDQ = 5 Spd. Manual
M = X				DDD = 5 Speed HD Manual
P = Sahara				DG0 = Auto. Trans.
				DBB = Manual Trans.

AR = Use as required - = Non illustrated part # = New this model year

January 26, 2004

Group – 016

Propeller Shafts and U-Joints

GROUP 16 - Propeller Shafts and U-Joints

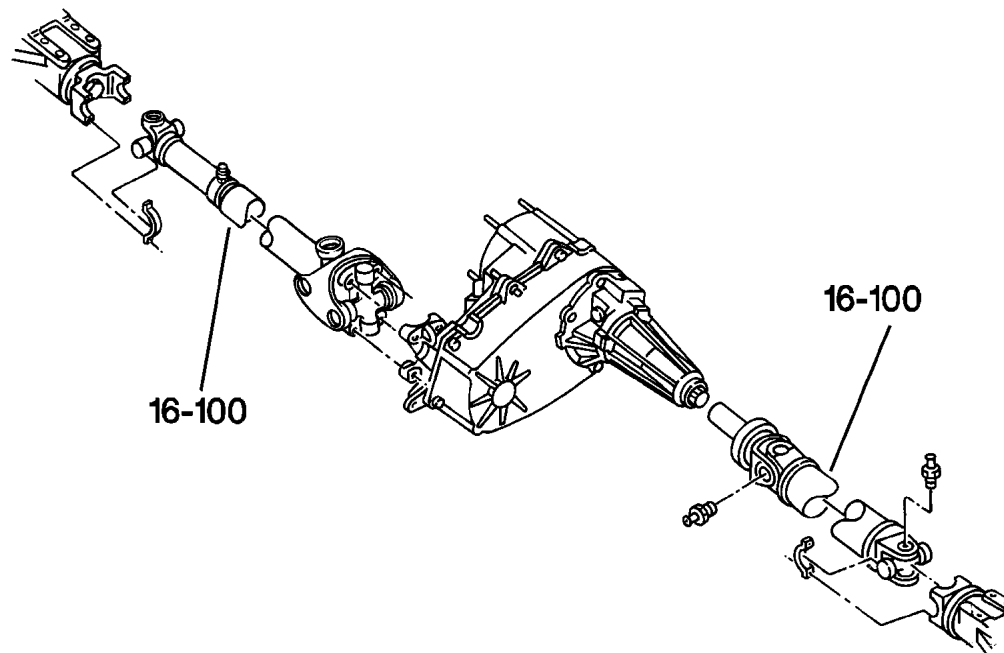
Illustration Title

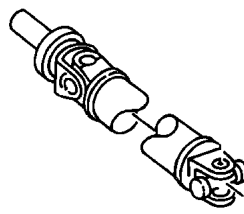
Group-Fig. No.

Propeller Shaft

Propshaft,Front and Rear

Fig. 016-110



<p>016-100 Propeller Shaft</p> 			
---	--	--	--

Propshaft,Front and Rear
Figure 016-110

ITEM	PART NUMBER	QTY	LINE	SERIES	BODY	ENGINE	TRANS	TRIM	DESCRIPTION
------	-------------	-----	------	--------	------	--------	-------	------	-------------

Note:Sales Codes;

[DBB]=Transmissions - All Manual

[DDQ]=Transmission - 5-Speed Manual

[DG0]=Transmissions - All Automatic

[DRJ]=Axle - Rear,Dana M35/194MM

[DRK]=Axle - Rear,Dana 44/226MM

[EP0]=Engines - All 2.5L 4 Cylinder Gas

[ER0]=Engines - All 4.0L 6 Cylinder Gas

1									YOKE, Drive Shaft
	4882 714	1				EP0,	DG0		[DRJ]
		1				ER0			[DRJ]
		1				EP0	DDQ		[DRK]
		1				EP0,	DG0		[DRK]
		1				ER0			[DRK]
		1				ER0	DBB		[DRJ]
		1				ER0	DBB		[DRK]
2									SHAFT, Drive
	52098 783AC	1				EP0,	DG0		[DRJ], Rear
		1				ER0			[DRJ], Rear
	52098 785AC	1				EP0	DDQ		[DRK], Rear
		1				EP0,	DG0		[DRK], Rear
						ER0			[DRK], Rear
	52098 784AC	1				ER0	DBB		[DRJ], Rear
	52098 787AC	1				ER0	DBB		[DRK], Rear
3									U JOINT
	4882 793	2				EP0,	DG0		[DRJ]
		2				ER0			[DRJ]
		2				EP0	DDQ		[DRK]
		2				EP0,	DG0		[DRK]
						ER0			[DRK]
		2				ER0	DBB		[DRJ]
		2				ER0	DBB		[DRK]
4	J324 0553	2							STRAP, Prop Shaft
5	J400 6928	4							BOLT, Prop Shaft, Mounting
6	6036 147AA	4							BOLT, .312-24x1.170, Prop Shaft, Mounting
7									YOKE, Drive Shaft
	J813 0296	1				EP0,	DG0		ER0

JEEP WRANGLER (TJ)

SERIES
H = Sport
L = SE
M = X
P = Sahara

LINE
J = Wrangler 4WD
U = Wrangler 4WD (RHD)

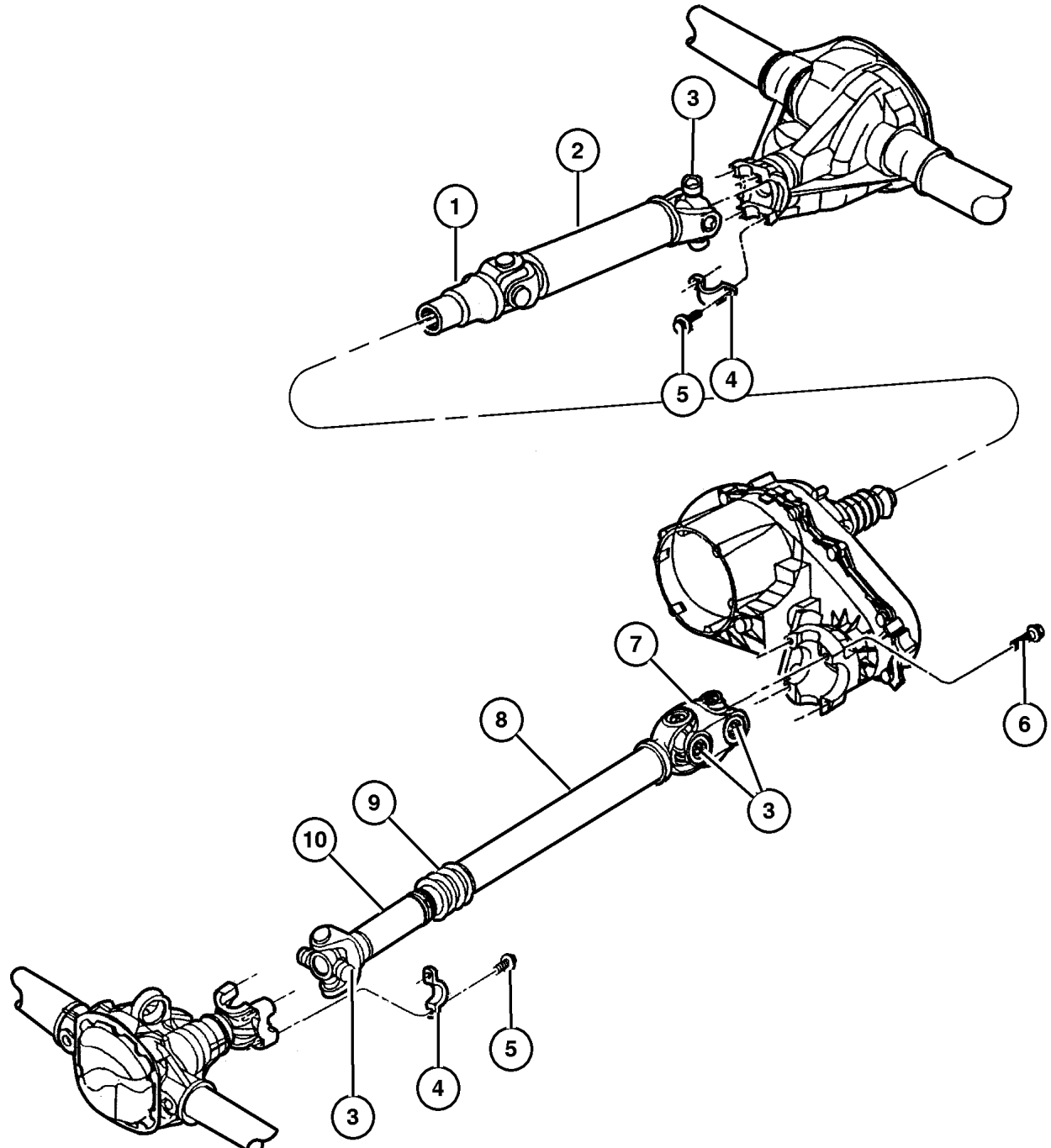
BODY
77 = 93.4 WB

ENGINE
EPE, EP0 = 2.5L Power Tech
ERH, ER0 = 4.0L Power Tech

TRANSMISSION
DGG, DGD = 32RH 3 Spd. Auto.
DDQ = 5 Spd. Manual
DDD = 5 Speed HD Manual
DG0 = Auto. Trans.
DBB = Manual Trans.

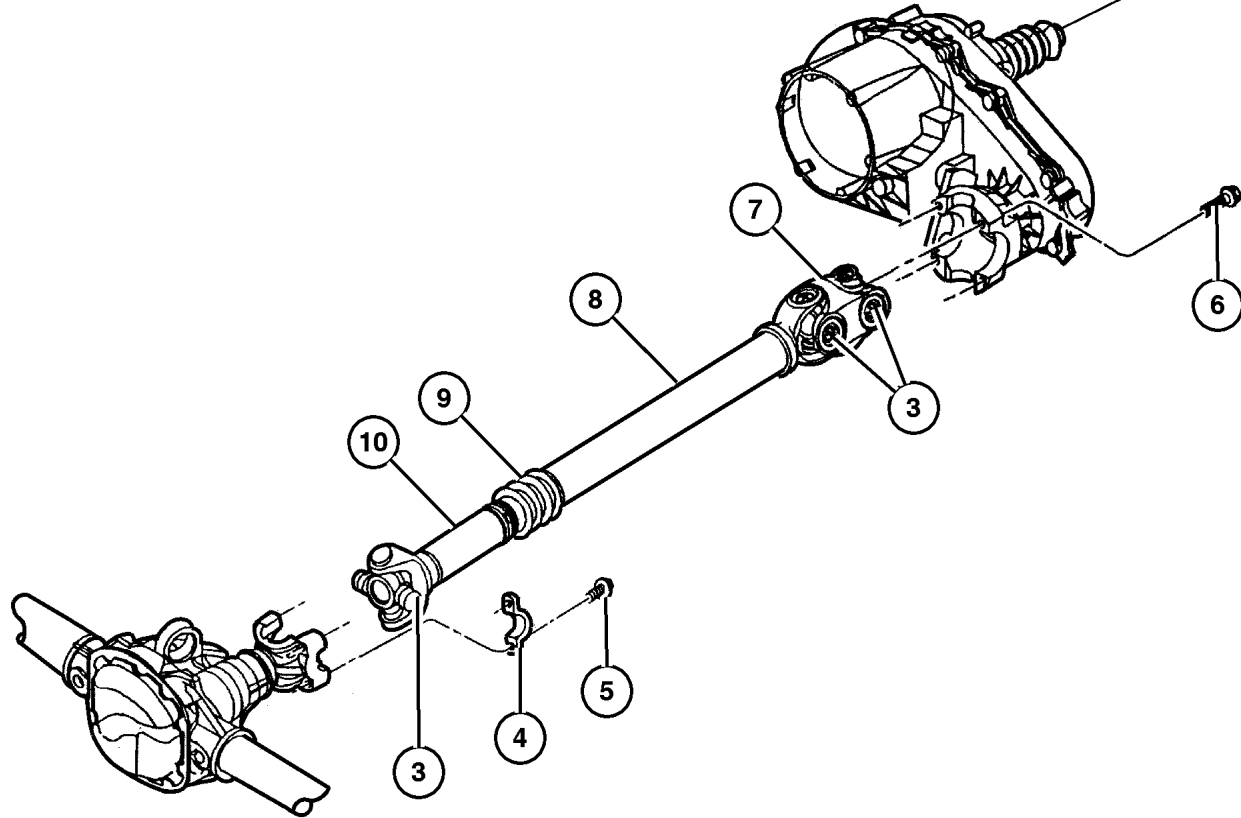
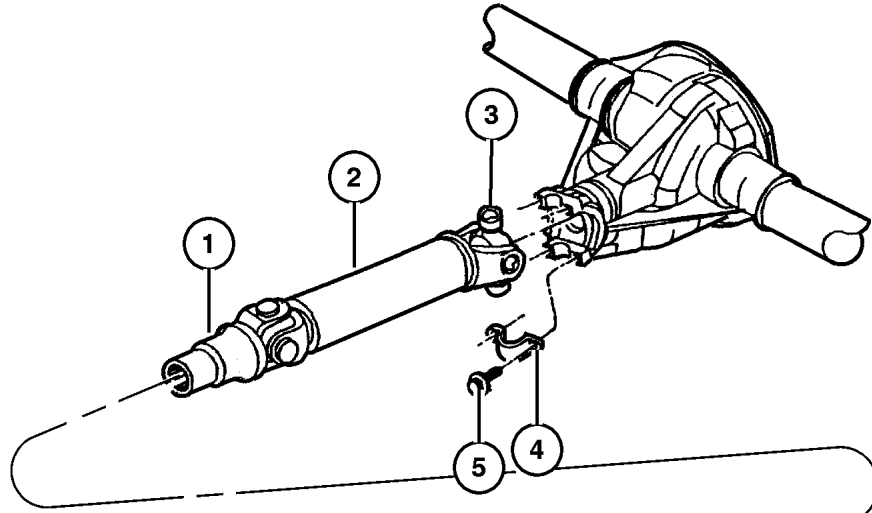
AR = Use as required - = Non illustrated part # = New this model year

January 26, 2004



Propshaft,Front and Rear
Figure 016-110

ITEM	PART NUMBER	QTY	LINE	SERIES	BODY	ENGINE	TRANS	TRIM	DESCRIPTION
		1				EP0	DDQ		
		1				ER0	DBB		
8	52098 378AC	1				EP0, ER0	DG0		SHAFT, Drive Front
	52098 377AD	1				EP0, ER0	DDQ DBB		Front Front
9	5012 793AA	1				EP0, ER0	DG0		BOOT, Driveshaft
		1				EP0	DDQ		
		1				ER0	DBB		
10	5016 375AA	1				EP0, ER0	DG0		YOKE, Drive Shaft
		1				EP0	DDQ		
		1				ER0	DBB		
-11	J320 7886	4				EP0, ER0	DG0		RING, U Joint
		4				EP0	DDQ		
		4				ER0	DBB		



JEEP WRANGLER (TJ)

SERIES
H = Sport
L = SE
M = X
P = Sahara

LINE
J = Wrangler 4WD
U = Wrangler 4WD (RHD)

BODY
77 = 93.4 WB

ENGINE
EPE, EP0 = 2.5L Power Tech
ERH, ER0 = 4.0L Power Tech

TRANSMISSION
DGG, DGD = 32RH 3 Spd. Auto.
DDQ = 5 Spd. Manual
DDD = 5 Speed HD Manual
DG0 = Auto. Trans.
DBB = Manual Trans.

Group - 017

Rear Suspension

GROUP 17 - Rear Suspension

Illustration Title

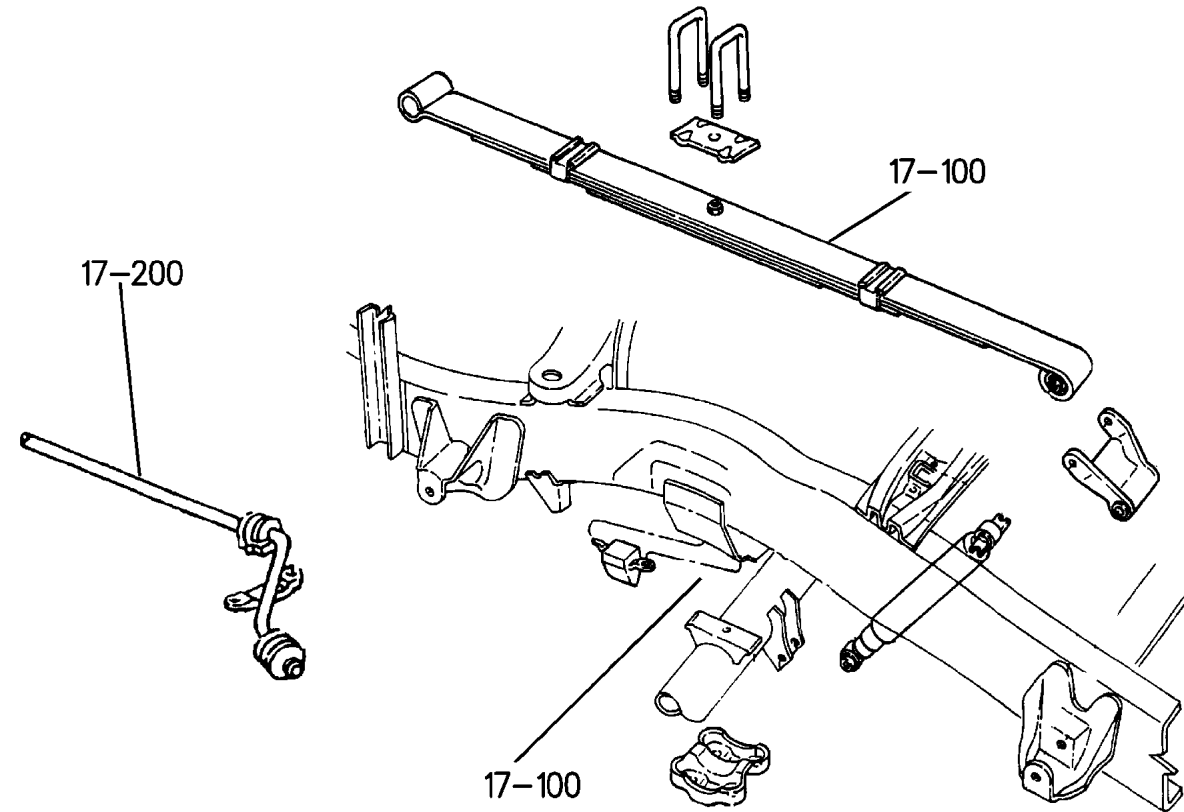
Group-Fig. No.

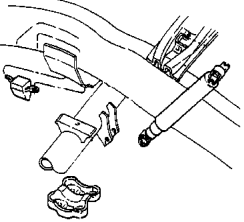
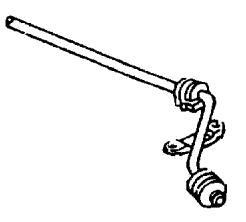
Rear Suspension

Suspension, Rear with Shocks, Springs and Track Bar Fig. 017-110

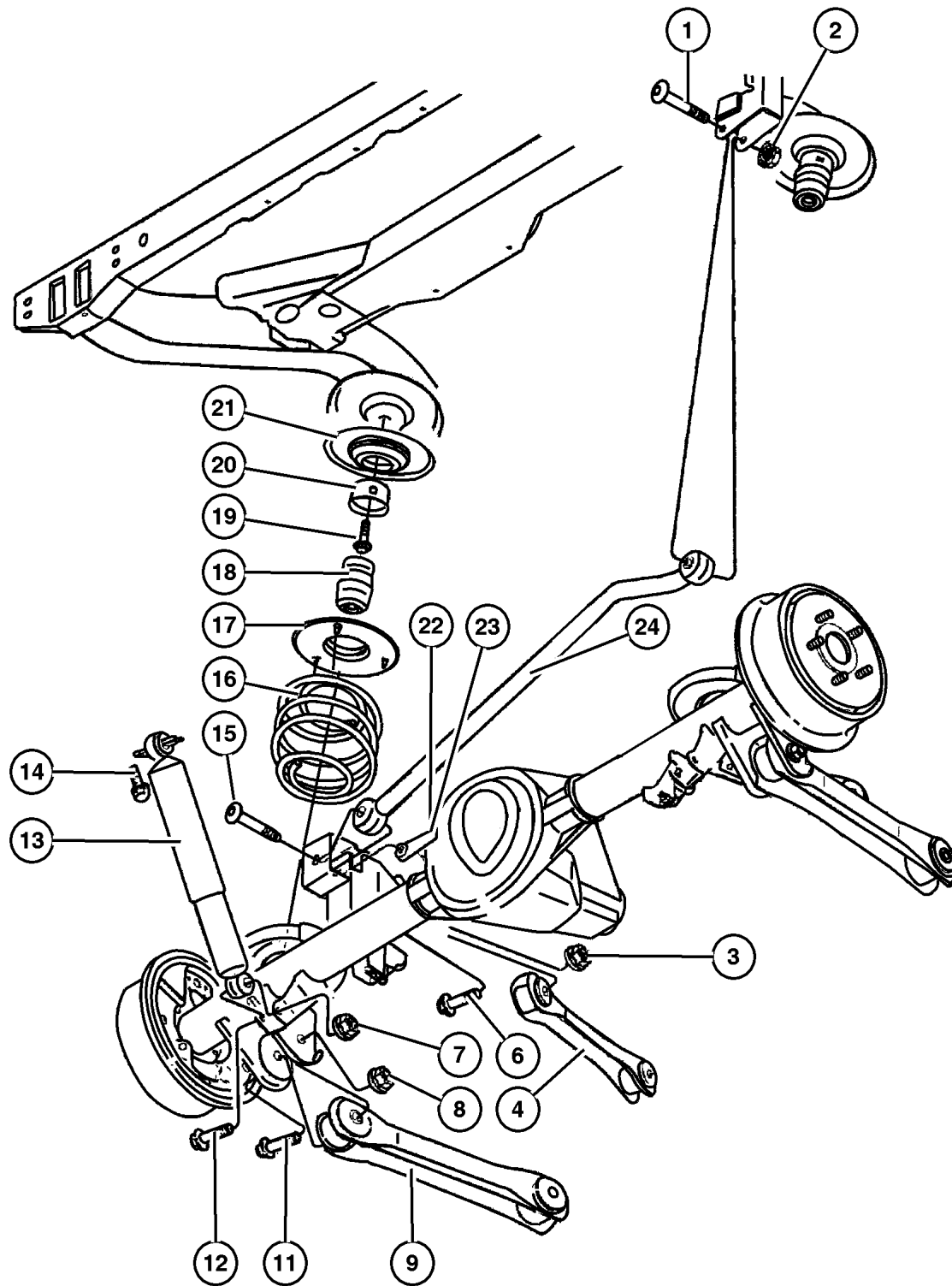
Rear Stabilizer

Stabilizer, Rear Fig. 017-210



<p>017-100 Rear Suspension</p> 	<p>017-200 Rear Stabilizer</p> 		
---	---	--	--

Suspension, Rear with Shocks, Springs and Track Bar Figure 017-110



ITEM	PART NUMBER	QTY	LINE	SERIES	BODY	ENGINE	TRANS	TRIM	DESCRIPTION
Note: Sales Codes;									
[SDA]=Suspension - Normal Duty									
[SDU]=Shocks - High Pressure Gas Charged									
[ZAU] Through [ZNV]=Spring Sales Codes will be found on Vehicle Identification Number [VIN] Sales Code Listing.									
1	6506 147AA	1							SCREW, Hex Flange Head, M12x1.75x80, Track Bar to Frame, Mounting
2	6502 697	1							NUT, Hex Flange Lock, M12x1.75, Track Bar to Frame, Mounting
3	6502 696	2							NUT, Hex Flange Lock, M10x1.5, UCA to Axle, Mounting
4	5208 8520	2							ARM, Control, Upper, Right or Left
-5	5208 7709	4							BUSHING, Control Arm, U, Upper
6	6503 085	4							BOLT, Hex Flange Head, M10x1.50x78.20, UCA to Frame and Axle, Mounting
7	6502 697	2							NUT, Hex Flange Lock, M12x1.75, Shock Lower, Mounting
8	6503 672	4							NUT, Hex, M14-2, LCA to Frame and Axle, Mounting
9	5208 8654	2							ARM, Control, Lower, Right or Left
-10	5208 8433	4							BUSHING, Control Arm, L, Lower
11	6506 033AA	4							BOLT, Hex Flange Head, M14x2.0x105, LCA to Frame and Axle, Mounting
12	6502 473	2							BOLT, Hex Flange Head, M12x1.75x65, Shock Lower, Mounting
13									SHOCK ABSORBER, Suspension, Rear
	52087 835AB	2							[SDA]
	#52088 651AJ	2							[SDU]
14	3420 2467	4							SCREW, Hex Head, M8x1.25x30, Shock Upper, Mounting
15	6505 467AA	1							SCREW, Truss Head, M12x1.75x80
16									SPRING, Rear Coil
	5208 9103	1							[ZAU,ZNU]
	5208 9104	1							[ZAV,ZNV]
	52090 105AA	1							[ZAW,ZNW]
17	5208 7866	2							ISOLATOR, Spring, Lower
18	5208 7992	2							BUMPER, Jounce
19	6100 402	2							BOLT, Hex Head, M10x35, Jounce Bumper Cup, Mounting
20	5208 7635	2							CUP, Jounce Bumper

JEEP WRANGLER (TJ)

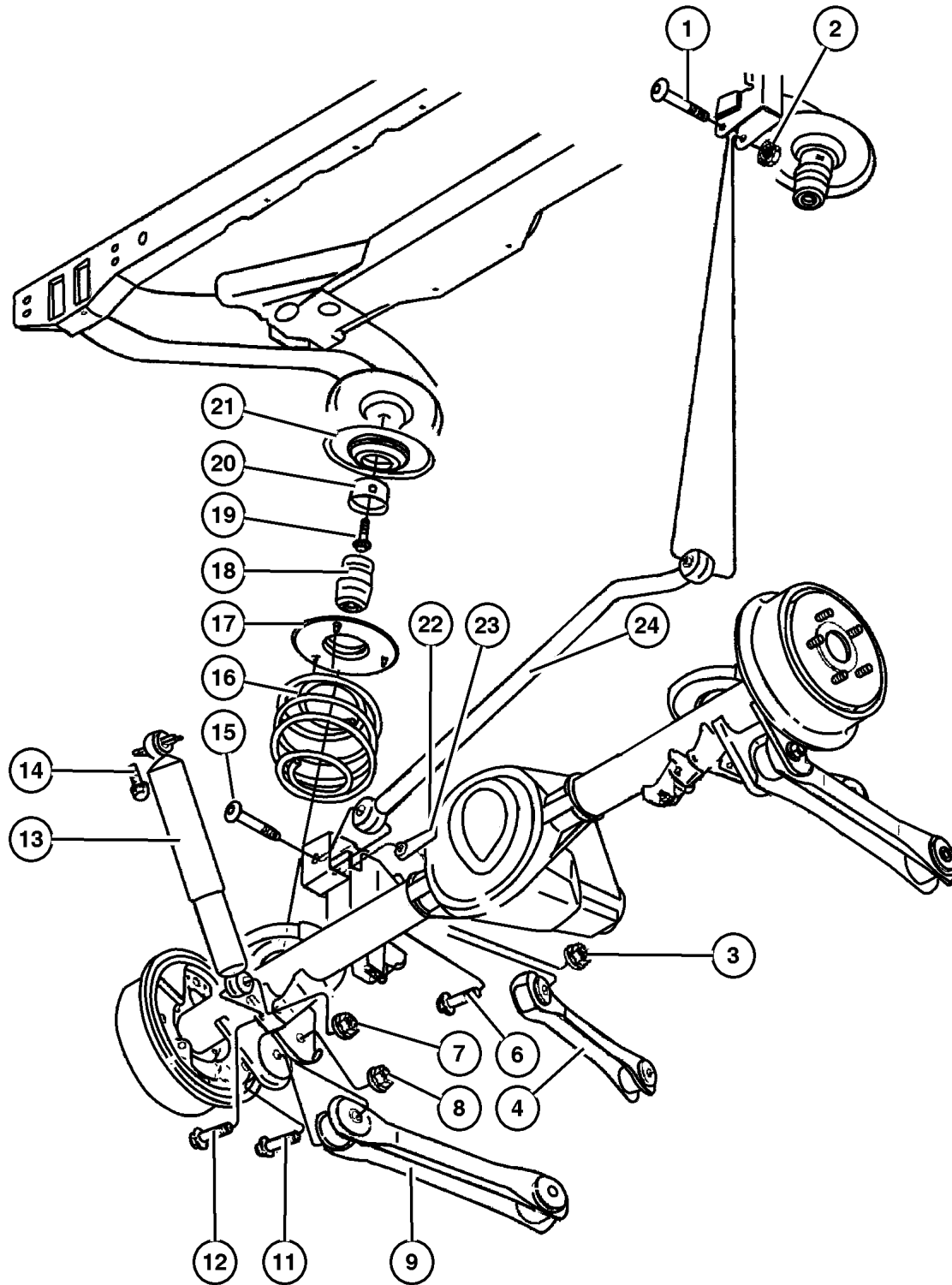
SERIES	LINE	BODY	ENGINE	TRANSMISSION
H = Sport	J = Wrangler 4WD	77 = 93.4 WB	EPE, EP0 = 2.5L Power Tech	DGG, DGD = 32RH 3 Spd. Auto.
L = SE	U = Wrangler 4WD (RHD)		ERH, ER0 = 4.0L Power Tech	DDQ = 5 Spd. Manual
M = X				DDD = 5 Speed HD Manual
P = Sahara				DG0 = Auto. Trans.
				DBB = Manual Trans.

AR = Use as required - = Non illustrated part # = New this model year

January 26, 2004

Suspension, Rear with Shocks, Springs and Track Bar
Figure 017-110

ITEM	PART NUMBER	QTY	LINE	SERIES	BODY	ENGINE	TRANS	TRIM	DESCRIPTION
21	5208 7832	2							ISOLATOR, Spring, Coil Spring
22	6503 652	1	J						Rear, Upper NUT AND RETAINER, Hex Flange Lock, m8x1.25, Track Bar to Axle, Mounting
23	6502 697	1	U						NUT, Hex Flange Lock, M12x1.75
24	5208 7878	1	J						BAR, Track
	5208 8175	1	U						
-25	6503 648	2							NUT AND RETAINER, Hex Flange Lock, m8x1.25, UCA to Frame, Mounting



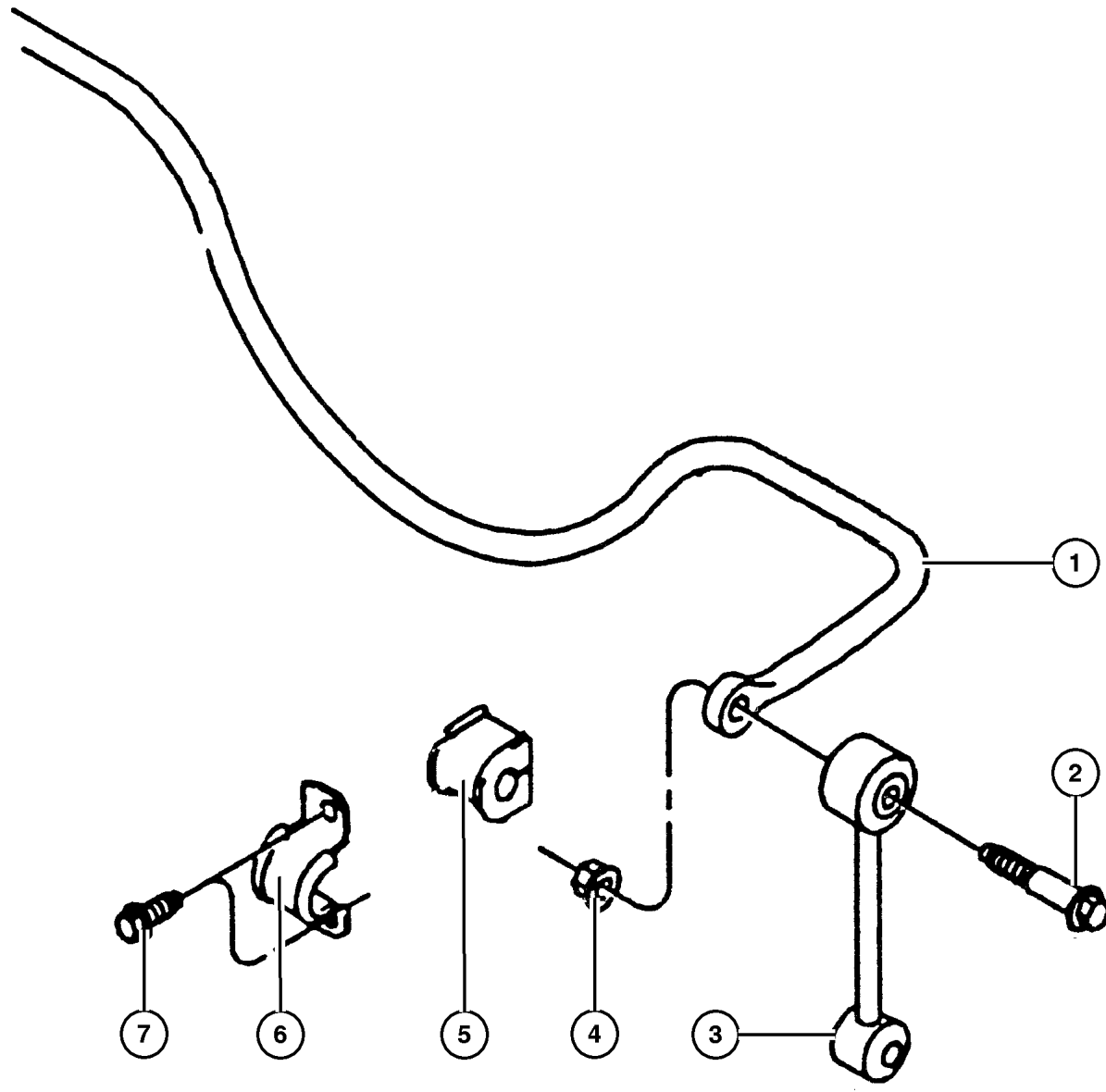
JEEP WRANGLER (TJ)
 SERIES LINE BODY ENGINE TRANSMISSION
 H = Sport J = Wrangler 4WD 77 = 93.4 WB EPE, EP0 = 2.5L Power Tech DGG, DGD = 32RH 3 Spd. Auto.
 L = SE U = Wrangler 4WD (RHD) ERH, ER0 = 4.0L Power Tech DDQ = 5 Spd. Manual
 M = X DDD = 5 Speed HD Manual
 P = Sahara DG0 = Auto. Trans.
 DBB = Manual Trans.

AR = Use as required - = Non illustrated part # = New this model year

January 26, 2004

**Stabilizer, Rear
Figure 017-210**

ITEM	PART NUMBER	QTY	LINE	SERIES	BODY	ENGINE	TRANS	TRIM	DESCRIPTION
1	5208 8002	1							BAR, Rear Sway
2	6503 726	2							SCREW, Shoulder, Sway Bar to Link
3	52088 896AA	2							LINK, Sway Eliminator
4	6502 696	2							NUT, Hex Flange Lock, M10x1.5, Sway Bar to Link
5	5208 8125	2							BUSHING, Sway Bar
6	5208 7865	2							RETAINER, Sway Bar
7	6503 571	4							SCREW AND WASHER, M10x1.50x35
-8	6503 726	2							SCREW, Shoulder, Sway Bar Link to Frame
-9	6503 648	2							NUT AND RETAINER, Hex Flange Lock, m8x1.25, Sway Bar Link to Frame



JEEP WRANGLER (TJ)			
SERIES	LINE	BODY	ENGINE
H = Sport	J = Wrangler 4WD	77 = 93.4 WB	EPE, EP0 = 2.5L Power Tech
L = SE	U = Wrangler 4WD (RHD)		ERH, ER0 = 4.0L Power Tech
M = X			
P = Sahara			
			TRANSMISSION
			DGG, DGD = 32RH 3 Spd. Auto.
			DDQ = 5 Spd. Manual
			DDD = 5 Speed HD Manual
			DG0 = Auto. Trans.
			DBB = Manual Trans.

AR = Use as required - = Non illustrated part # = New this model year

January 26, 2004

Group – 019

Steering

GROUP 19 - Steering

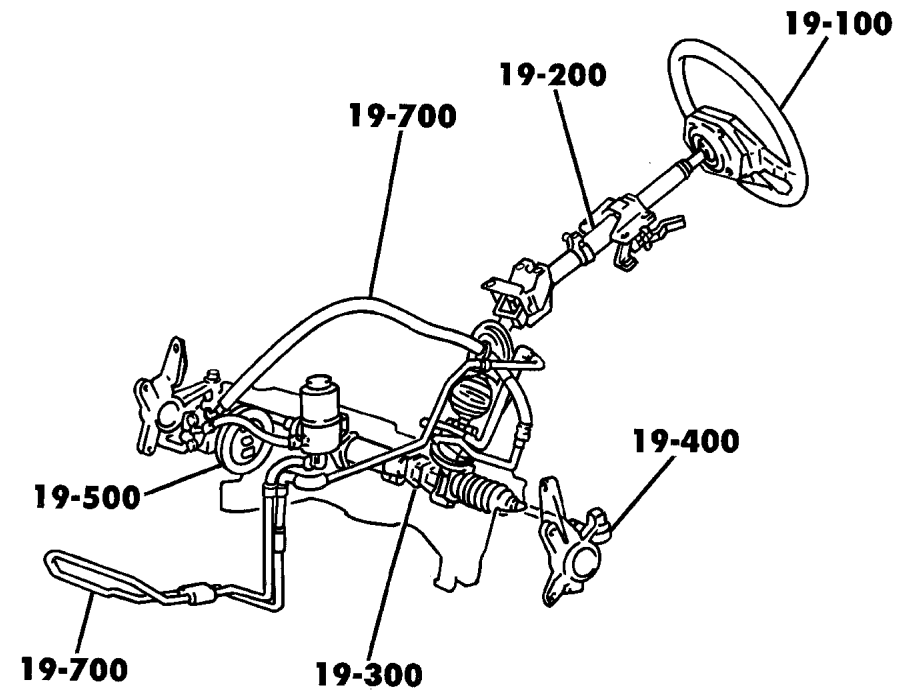


Illustration Title

Group-Fig. No.

Steering Wheel

Wheel, Steering Fig. 019-110

Steering Column

Column, Steering Upper and Lower Fig. 019-210

Steering Gear

Gear, Power Steering Fig. 019-310

Steering Linkage

Linkage and Damper Fig. 019-410


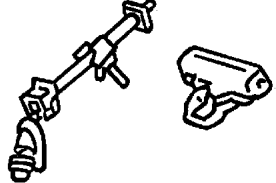
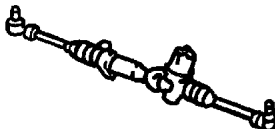
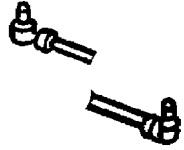
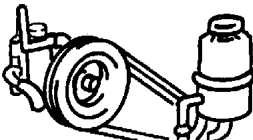

Power Steering Pump

Pump, Power Steering Fig. 019-510

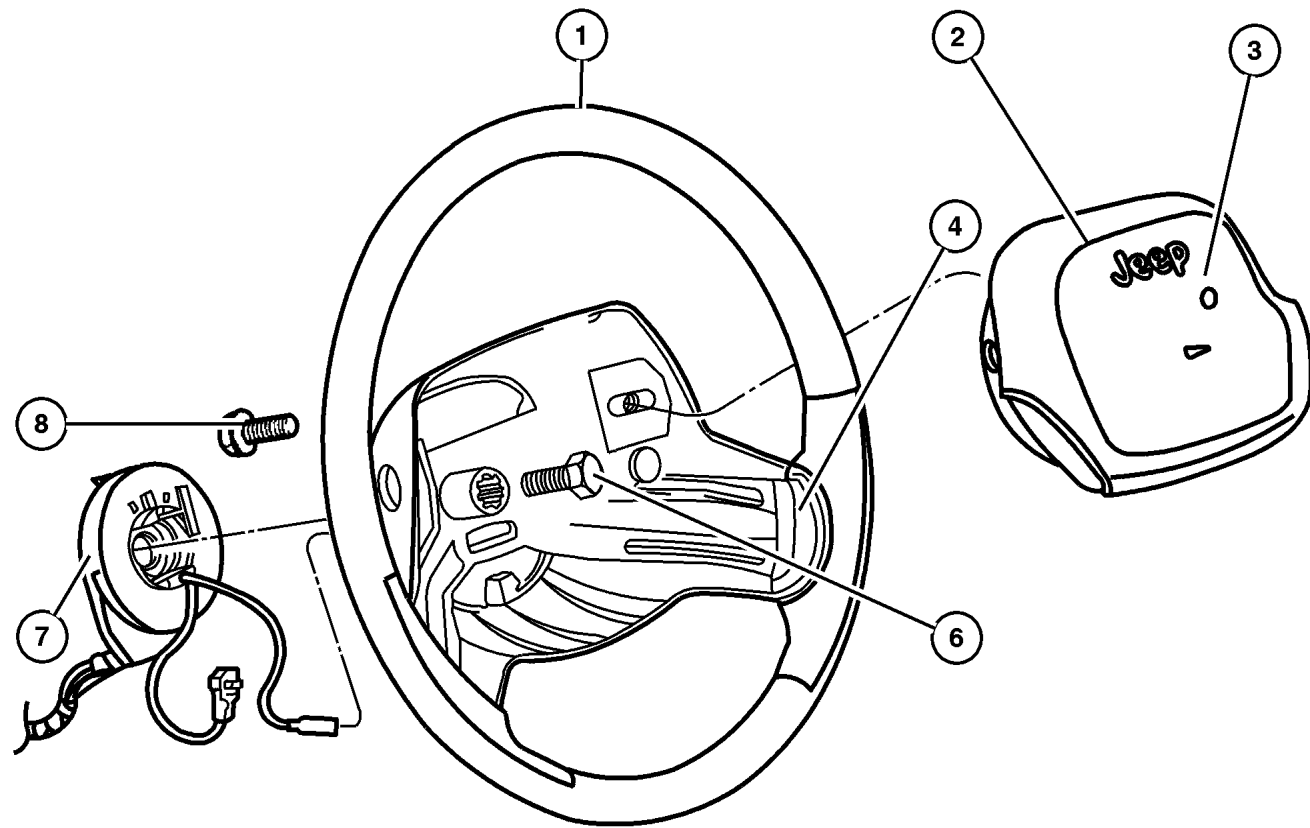
Power Steering Hoses

Hoses and Reservoir, 2.5L Engine [EP0] Fig. 019-710

Hoses and Reservoir, 4.0L Engine [ER0] Fig. 019-720

<p>019-100 Steering Wheel</p> 	<p>019-200 Steering Column</p> 	<p>019-300 Steering Gear</p> 	<p>019-400 Steering Linkage</p> 
<p>019-500 Power Steering Pump</p> 	<p>019-700 Power Steering Hoses</p> 		

Wheel, Steering Figure 019-110



ITEM	PART NUMBER	QTY	LINE	SERIES	BODY	ENGINE	TRANS	TRIM	DESCRIPTION
Note:If Horn Switch is defective, you must replace the AIR BAG COVER WITH SWITCH and not the AIR BAG MODULE ASSEMBLY itself.									
Note:Sales Codes;									
[SCE]=Steering Wheel-2-Spoke Soft Feel									
[SCG]=Steering Wheel-Leather Wrapped									
[NHM]= Speed Control									
1	5GK43 1AZAB	1							WHEEL, Steering [SCE]
	5GL44 1AZAB	1							[SCG]
	5DY22 LAZAC	1							[SCG,NHM]
2	5GC51 LAZAG	1							AIR BAG, Driver
3	5073 556AA	1							COVER, Air Bag Module, Includes Horn Switch
4	56007 530AD	1							SWITCH, Speed Control [NHM], Right
	56007 531AD	1							[NHM], Left
-5	5GK16 DX9AB	1							BEZEL, Steering Wheel without [NHM], Right
	5GK17 DX9AB	1							without [NHM], Left
6	6505 656AA	1							SCREW, Hex Flange Head, M10x1.5x35., Steering Wheel, Mounting
7	56047 103AB	1							CLOCKSPRING without [NHM]
	56047 105AB	1							[NHM]
8	6506 091AA	2							SCREW, M6x1x25, Air Bag, Mounting
-9	5600 9437	1							WIRING, Steering Wheel, [NHM]
-10	55314 966AB	1							LABEL, Airbag, [ABB]

JEEP WRANGLER (TJ)

SERIES	LINE	BODY	ENGINE	TRANSMISSION
H = Sport	J = Wrangler 4WD	77 = 93.4 WB	EPE, EP0 = 2.5L Power Tech	DGG, DGD = 32RH 3 Spd. Auto.
L = SE	U = Wrangler 4WD (RHD)		ERH, ER0 = 4.0L Power Tech	DDQ = 5 Spd. Manual
M = X				DDD = 5 Speed HD Manual
P = Sahara				DG0 = Auto. Trans.
				DBB = Manual Trans.

AR = Use as required - = Non illustrated part # = New this model year

January 26, 2004

Column, Steering Upper and Lower Figure 019-210

ITEM	PART NUMBER	QTY	LINE	SERIES	BODY	ENGINE	TRANS	TRIM	DESCRIPTION
------	-------------	-----	------	--------	------	--------	-------	------	-------------

Note: Sales Codes;

- [ABB] = European Equipment Group
- [DBB] = Transmissions - All Manual
- [DG0] = Transmissions - All Automatic
- [EP0] = Engines - All 2.5L 4 Cylinder Gas
- [ER0] = Engines - All 4.0L 6 Cylinder Gas

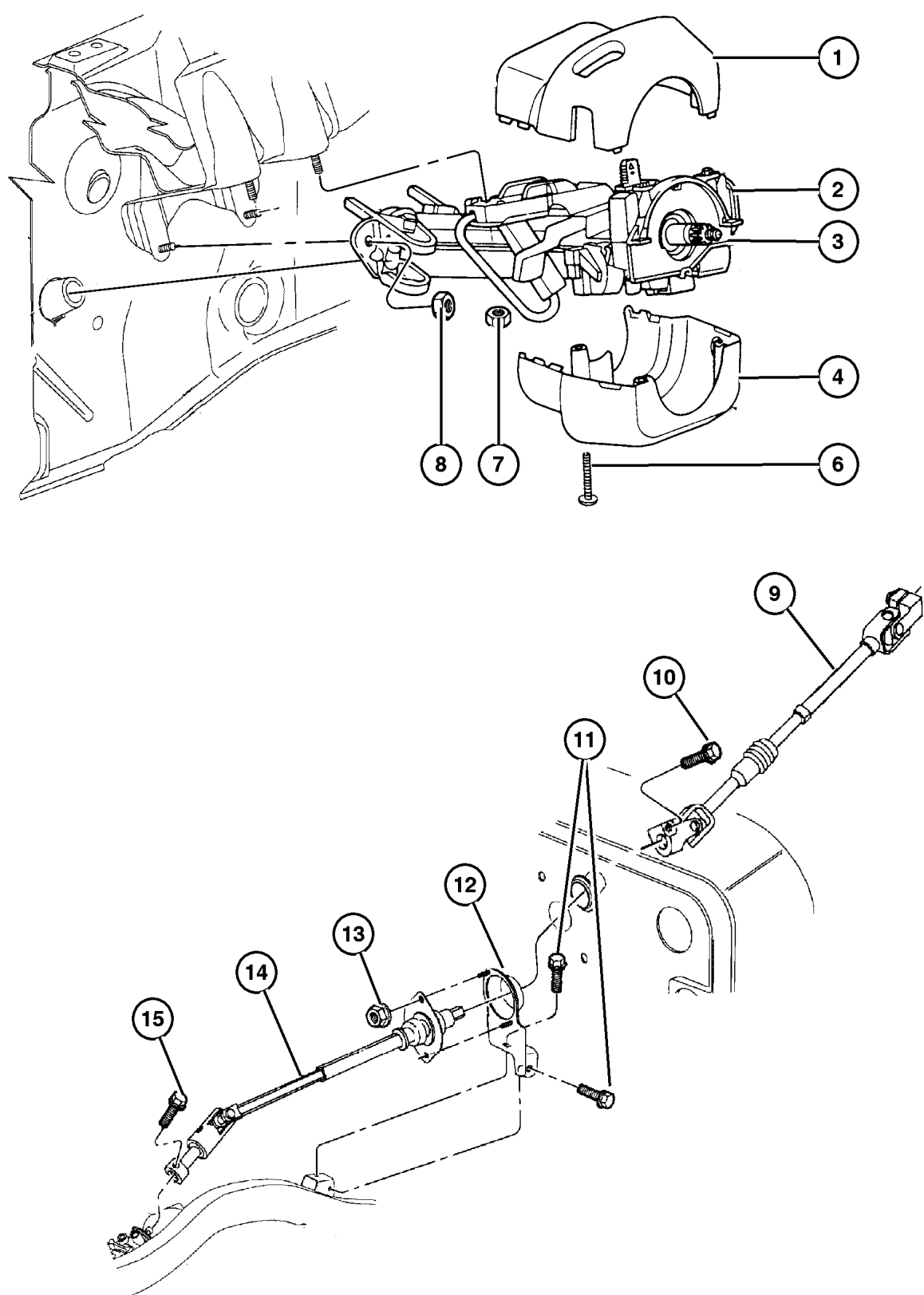
1	5GN31 LAZAD	1							SHROUD, Steering Column, Upper
2	#55314 996AC	1					DBB		Up To and Including 12-21-01
	#5057 080AA	1					DBB		12-22-01 And After
	#55314 998AC	1					DBB		[ABB] Up To and Including 12-21-01
	#5057 082AA	1					DBB		[ABB] 12-22-01 And After
	#55314 995AC	1					DG0		Up To and Including 12-21-01
	#5057 079AA	1					DG0		12-22-01 And After
	#55314 997AC	1					DG0		[ABB] Up To and Including 12-21-01
	#5057 081AA	1					DG0		[ABB] 12-22-01 And After
3	#55314 993AC	1					DBB		COLUMN, steering, non tilt
	#5057 077AA	1					DBB		Up To and Including 12-21-01
	#55314 994AC	1					DG0		12-22-01 And After
	#5057 078AA	1					DG0		Up To and Including 12-21-01
4	5GN30 LAZAB	1					DBB		SHROUD, Steering Column, Lower
	5GN36 LAZAB	1					DG0		
-5	55314 965AB	1					DG0		TRIM RING, Ignition Key Cylinder
6	6035 434	2							SCREW AND WASHER, Pan Head, Upper Shroud to Lower Shroud, Mounting
7	6501 279	2							NUT, Hex Flange Lock, M8x1.25, Mounting Stud, Upper
8	6505 245AA	2							NUT, M8x1.25, Mounting Stud, Lower
9	55315 014AD	1							SHAFT, Intermediate
10	6504 926AA	3							SCREW, Hex Flange Head, M10x1.5x40, Upper Shaft to Lower shaft, Mounting
11	6504 153	2							SCREW AND WASHER, Hex Head, M10x1.5x35, Shaft Bracket to Frame, Mounting
12									BRACKET, Intermediate Shaft

JEEP WRANGLER (TJ)

SERIES	LINE	BODY	ENGINE	TRANSMISSION
H = Sport	J = Wrangler 4WD	77 = 93.4 WB	EPE, EP0 = 2.5L Power Tech	DGG, DGD = 32RH 3 Spd. Auto.
L = SE	U = Wrangler 4WD (RHD)		ERH, ER0 = 4.0L Power Tech	DDQ = 5 Spd. Manual
M = X				DDD = 5 Speed HD Manual
P = Sahara				DG0 = Auto. Trans.
				DBB = Manual Trans.

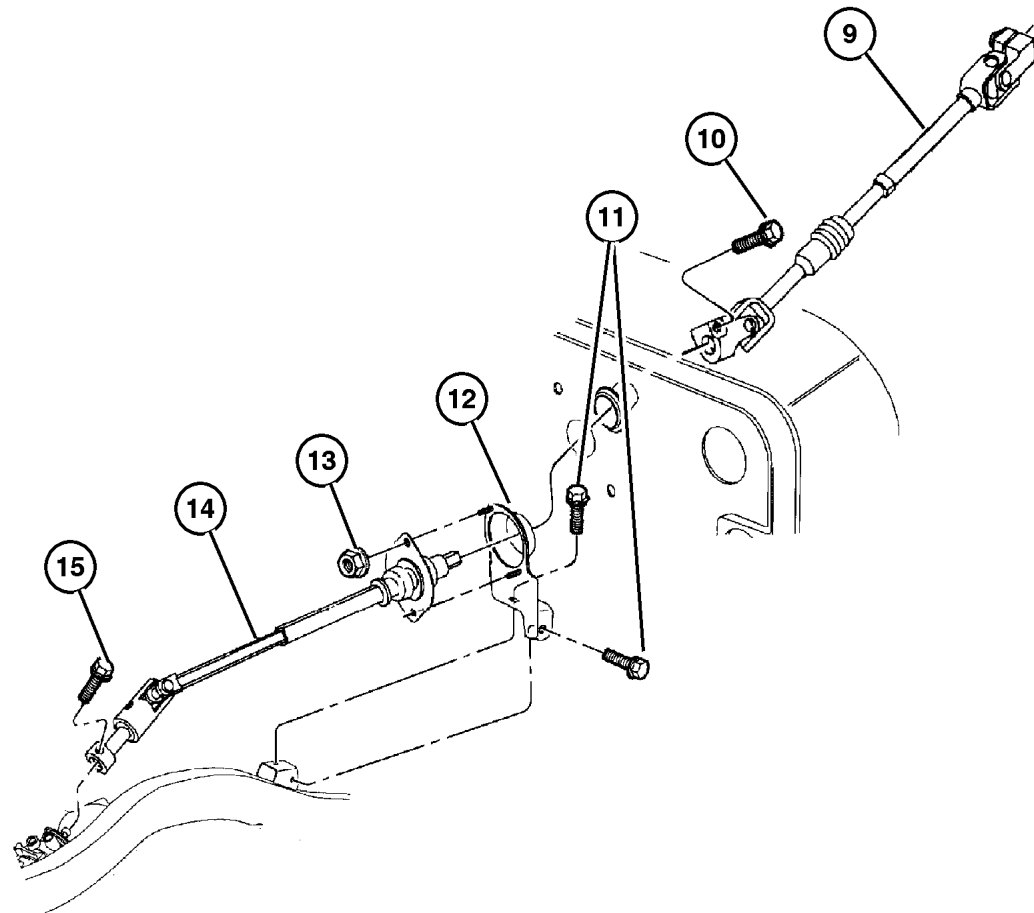
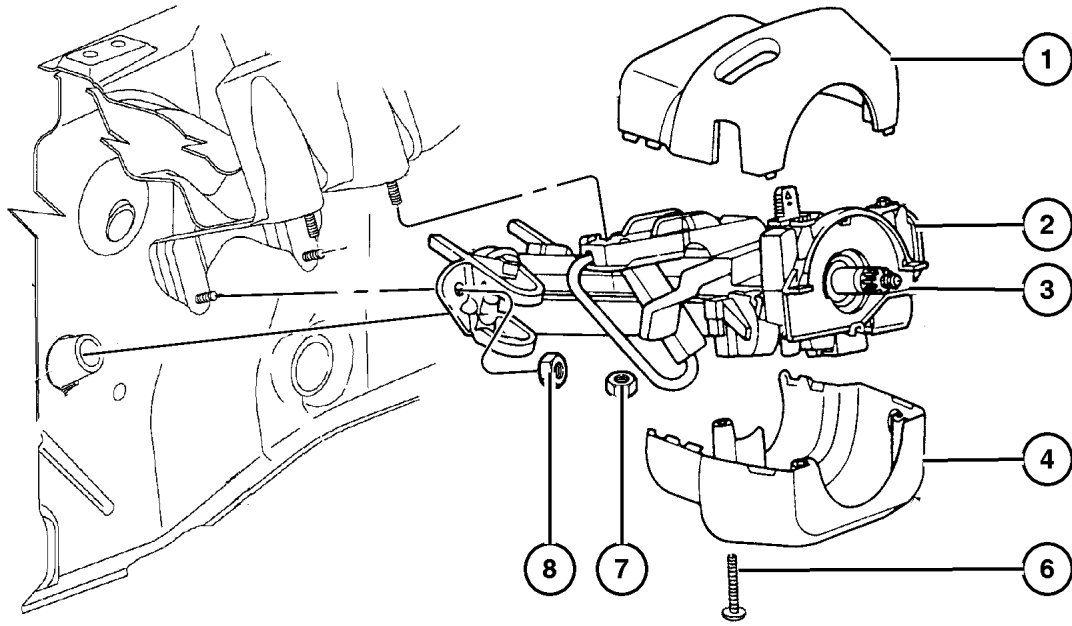
AR = Use as required - = Non illustrated part # = New this model year

January 26, 2004



**Column, Steering Upper and Lower
Figure 019-210**

ITEM	PART NUMBER	QTY	LINE	SERIES	BODY	ENGINE	TRANS	TRIM	DESCRIPTION
	5205 8855	1	J			EP0			
	5205 8841	1	J			ER0			
	52058 856AB	1	U			EP0			
	5205 8854	1	U			ER0			
13	6100 516	2							NUT, Hex Flange Lock, M6 Phosphate, Intermediate Shaft Bracket, Mounting
14	52078 705AD	1							SHAFT, Intermediate
15	6504 926AA	3							SCREW, Hex Flange Head, M10x1. 5x40, Lower Shaft to Steering Box, Mounting

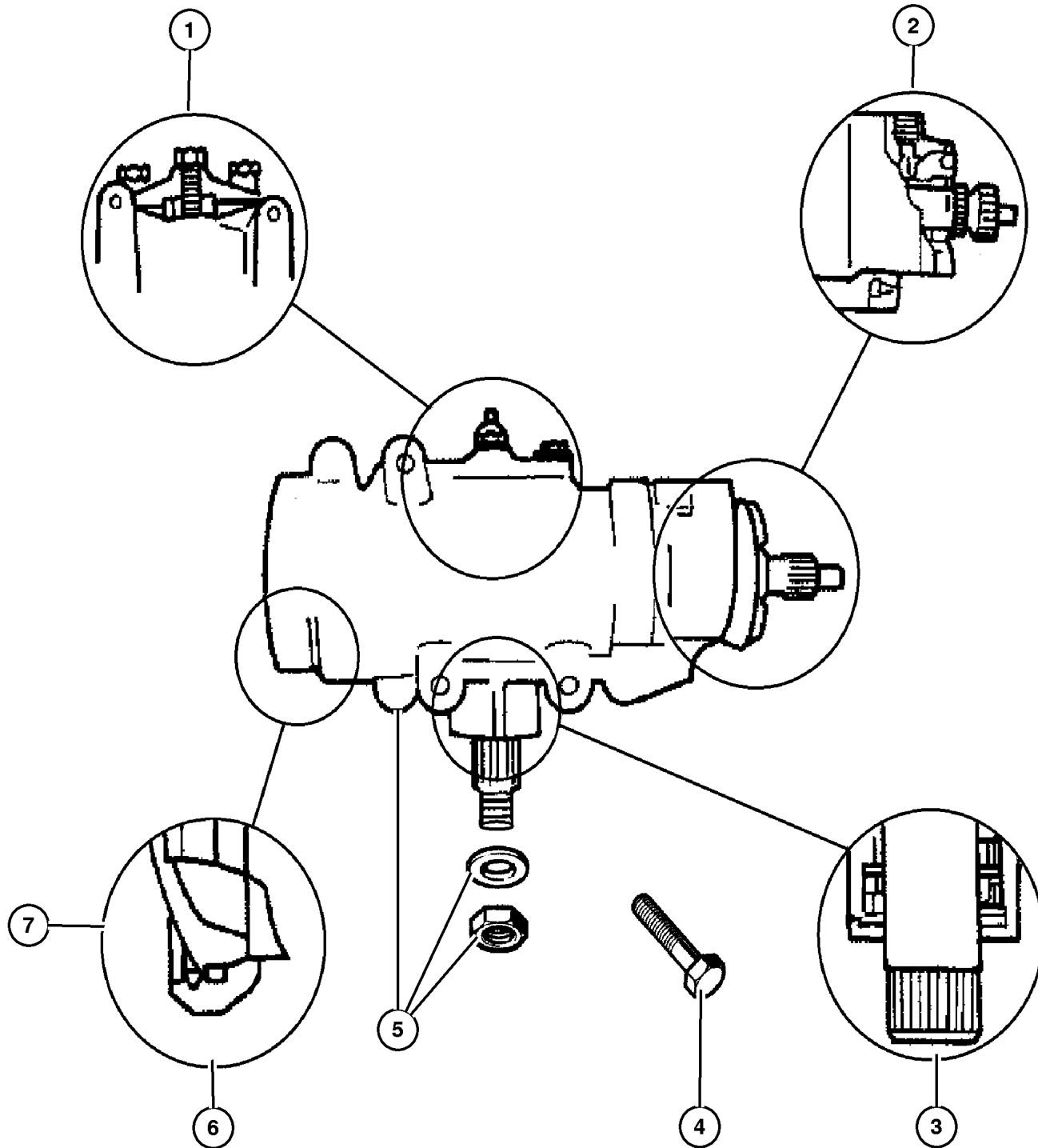


JEEP WRANGLER (TJ)				
SERIES	LINE	BODY	ENGINE	TRANSMISSION
H = Sport	J = Wrangler 4WD	77 = 93.4 WB	EPE, EP0 = 2.5L Power Tech	DGG, DGD = 32RH 3 Spd. Auto.
L = SE	U = Wrangler 4WD (RHD)		ERH, ER0 = 4.0L Power Tech	DDQ = 5 Spd. Manual
M = X				DDD = 5 Speed HD Manual
P = Sahara				DG0 = Auto. Trans.
				DBB = Manual Trans.

AR = Use as required - = Non illustrated part # = New this model year

January 26, 2004

Gear, Power Steering Figure 019-310



ITEM	PART NUMBER	QTY	LINE	SERIES	BODY	ENGINE	TRANS	TRIM	DESCRIPTION
1									SEAL, Steering Gear Cover
	3893 558	1	J						
		1	U						
2									REPAIR KIT, Thurst Bearing, Steering Gear
	4897 000AA	1	J						
		1	U						
3									SEAL KIT, Steering gear pitman shaft
	4470 365	1	J						
		1	U						
4	6036 332AA	3							SCREW AND WASHER, Gear, Mounting
5									GEAR, Power Steering
	52089 046AD	1	J						
	52089 079AD	1	U						
6									SEAL KIT, Steering gear end plug
	3893 557	1	J						
		1	U						
7									SEAL KIT, Steering gear adjuster plug
	4886 349AA	1	J						
		1	U						

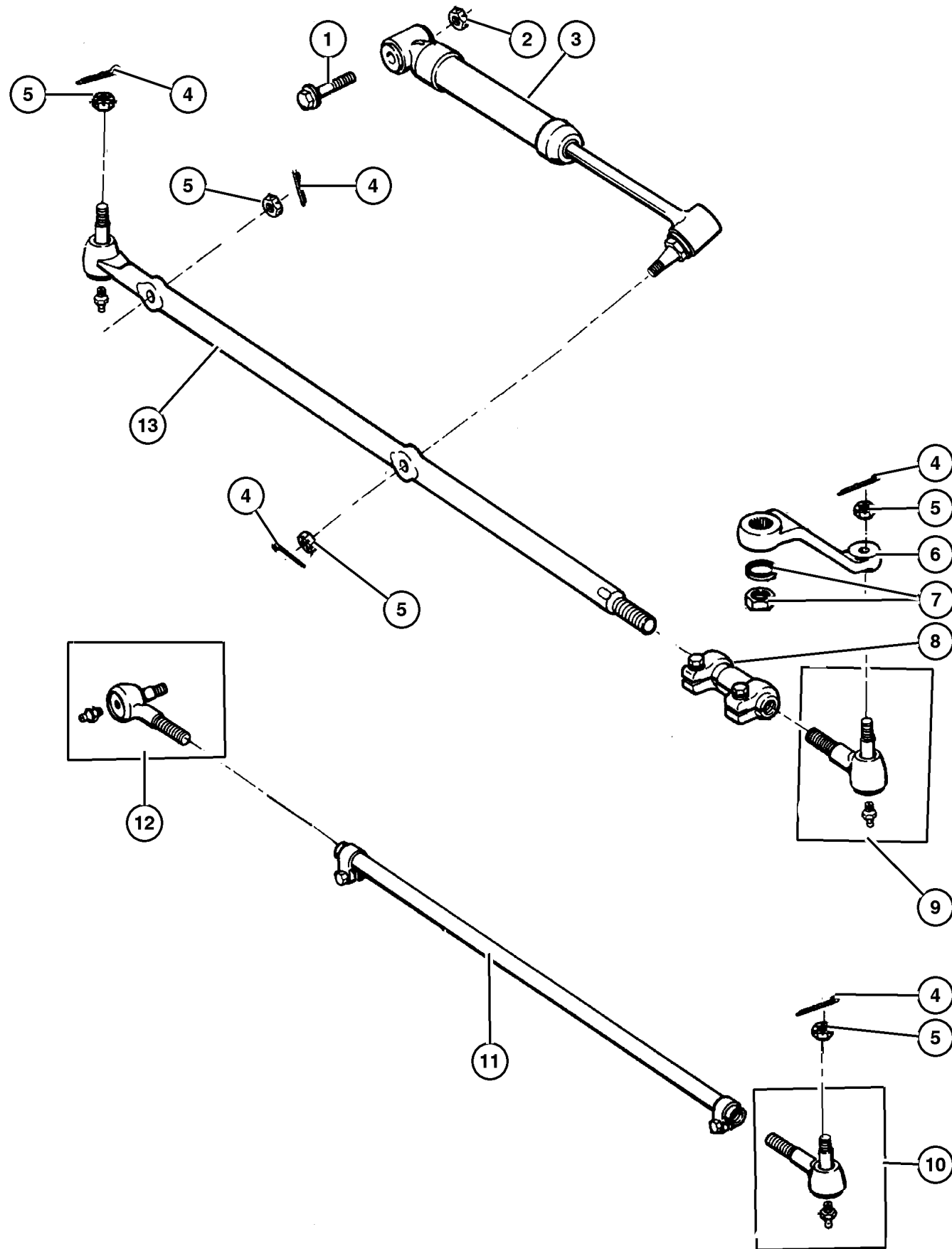
JEEP WRANGLER (TJ)

SERIES	LINE	BODY	ENGINE	TRANSMISSION
H = Sport	J = Wrangler 4WD	77 = 93.4 WB	EPE, EP0 = 2.5L Power Tech	DGG, DGD = 32RH 3 Spd. Auto.
L = SE	U = Wrangler 4WD (RHD)		ERH, ER0 = 4.0L Power Tech	DDQ = 5 Spd. Manual
M = X				DDD = 5 Speed HD Manual
P = Sahara				DG0 = Auto. Trans.
				DBB = Manual Trans.

AR = Use as required - = Non illustrated part # = New this model year

January 26, 2004

Linkage and Damper Figure 019-410



ITEM	PART NUMBER	QTY	LINE	SERIES	BODY	ENGINE	TRANS	TRIM	DESCRIPTION
1	6502 473	1							BOLT, Hex Flange Head, M12x1.75x65, Steering Damper to Axle Bracket, Mounting
2	6502 697	1							NUT, Hex Flange Lock, M12x1.75, Steering Damper to Axle Bracket, Mounting
3									DAMPER, Steering Linkage
	#52088 959AA	1	J						
	#52088 960AA	1	U						
4									PIN, Cotter, (NOT SERVICED) (Not Serviced)
5									NUT, Hex, .50-20
	6034 358	1							Tie Rod to Knuckle, Mounting
		1							Damper Stud to Drag Link, Mounting
		1							Drag Link to Pitman Arm, Mounting
		1							Tie Rod to Drag Link, Mounting
		1							Drag Link to Knuckle, Mounting
6									ARM, Pitman
	5203 8337	1	J						
	5203 8338	1	U						
7									NUT AND WASHER, Must Purchase Gear Box Assembly, (NOT SERVICED) (Not Serviced)
8									TUBE, Tie Rod
	52037 536AB	1	J						
	52005 742AB	1	U						
9									SOCKET
	5200 5739	1	J						Inner
		1	U						Inner
10									SOCKET, Tie Rod, Outer
	5200 5741	1	J						
		1	U						
11									TUBE, Tie Rod
	52005 743AB	1	J						
		1	U						
12									SOCKET, Tie Rod, Inner
	5200 5740	1	J						
		1	U						
13									SOCKET, Drag Link
	5208 7887	1	J						Outer
	5200 6582	1	U						Outer

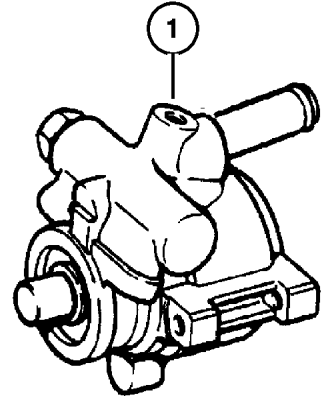
JEEP WRANGLER (TJ)

SERIES	LINE	BODY	ENGINE	TRANSMISSION
H = Sport	J = Wrangler 4WD	77 = 93.4 WB	EPE, EP0 = 2.5L Power Tech	DGG, DGD = 32RH 3 Spd. Auto.
L = SE	U = Wrangler 4WD (RHD)		ERH, ER0 = 4.0L Power Tech	DDQ = 5 Spd. Manual
M = X				DDD = 5 Speed HD Manual
P = Sahara				DG0 = Auto. Trans.
				DBB = Manual Trans.

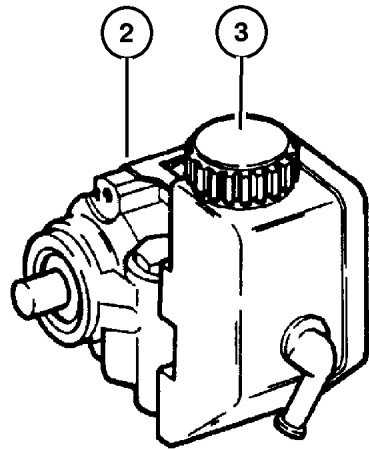
AR = Use as required - = Non illustrated part # = New this model year

January 26, 2004

Pump, Power Steering
Figure 019-510



W/2.5L



W/4.0L

ITEM	PART NUMBER	QTY	LINE	SERIES	BODY	ENGINE	TRANS	TRIM	DESCRIPTION
Note:Sales Codes;									
[EP0]=Engines - All 2.5L 4 Cylinder Gas									
[ER0]=Engines - All 4.0L 6 Cylinder Gas									
1	5208 8018	1				EP0			PUMP, Power Steering, without Reservoir
2	52087 871AD	1				ER0			PUMP, Power Steering, with Reservoir
3	4897 287AA	1				ER0			CAP, Power Steering Reservoir
-4									CLIP, Power Steering Reservoir
	5203 7547	1				ER0			Mounting, Right
	5203 7546	1				ER0			Mounting, Left
-5	8350 3489	1				ER0			VALVE, Flow Control
-6	2537 833	1				ER0			SPRING, Power Steering Pump Flow
-7	4778 797AB	1				ER0			SEAL, Power Steering Pump
-8	5066 223AA	1				ER0			KIT, Pump Assembly Service
-9	5066 224AA	1				ER0			KIT, Reservoir Service

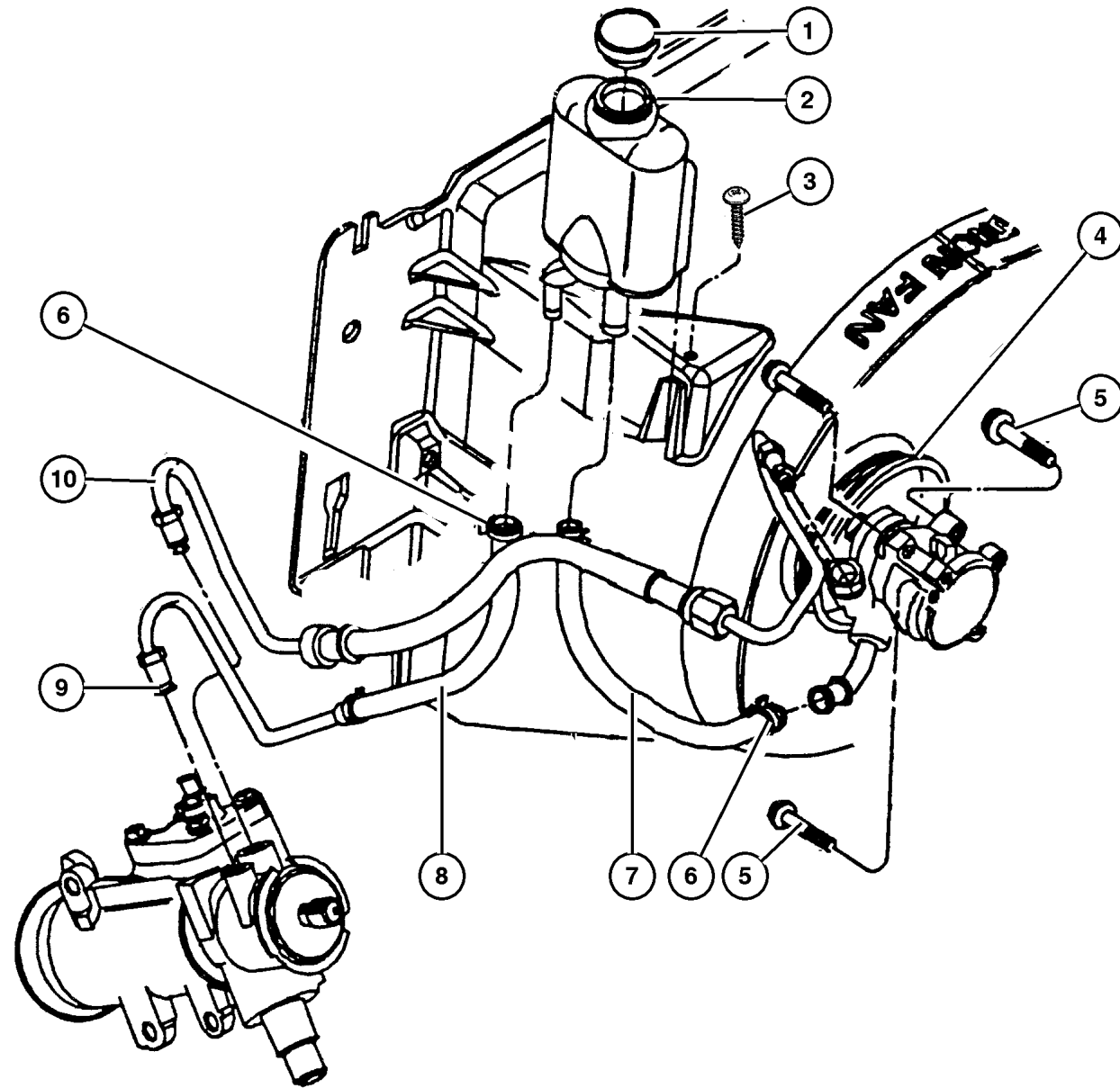
JEEP WRANGLER (TJ)			
SERIES	LINE	BODY	ENGINE
H = Sport	J = Wrangler 4WD	77 = 93.4 WB	EPE, EP0 = 2.5L Power Tech
L = SE	U = Wrangler 4WD (RHD)		ERH, ER0 = 4.0L Power Tech
M = X			
P = Sahara			

TRANSMISSION
DGG, DGD = 32RH 3 Spd. Auto.
DDQ = 5 Spd. Manual
DDD = 5 Speed HD Manual
DG0 = Auto. Trans.
DBB = Manual Trans.

AR = Use as required - = Non illustrated part # = New this model year

January 26, 2004

Hoses and Reservoir, 2.5L Engine [EP0] Figure 019-710



ITEM	PART NUMBER	QTY	LINE	SERIES	BODY	ENGINE	TRANS	TRIM	DESCRIPTION
Note: Sales Codes;									
[EP0]=Engines - All 2.5L 4 Cylinder Gas									
1	4694 766	1				EP0			CAP, Power Steering Pump
2	52087 713AB	1				EP0			RESERVOIR, Power Steering Pump
3	52088 924AA	1				EP0			RETAINER, Reservoir
4	53010 258AB	1				EP0			PULLEY, Power Steering Pump
5	6502 425	2				EP0			SCREW AND WASHER, Hex Head, M8x1.25x95
6									CLAMP, Hose
	2448 761	1	J			EP0			
		1	U			EP0			
7	5208 8541	1				EP0			HOSE, Power Steering Reservoir
8									HOSE, Power Steering Return
	5208 7926	1	J			EP0			
	5208 7795	1	U			EP0			
9									O RING, Power Steering Hose as Required
	5205 254	1	J			EP0			as Required
		1	U			EP0			as Required
10									HOSE, Power Steering Pressure
	52088 548AB	1	J			EP0			
	52087 825AB	1	U			EP0			
-11	3420 1888	1	U						SCREW, Hex Head, Power Steering Hose Bracket to Frame, Mounting
-12	4486 273	1	U						BRACKET, Power Steering Hose, Pressure and Return Reservoir to Pump, Mounting
-13									SWITCH, Power Steering
	56027 906AB	1	J			EP0			
		1	U			EP0			
-14	6035 358	1	U						CLIP, Oil Cooler Tube
-15	5200 2044	1	U						CLIP, Tube, Power Steering Line to Frame, Mounting

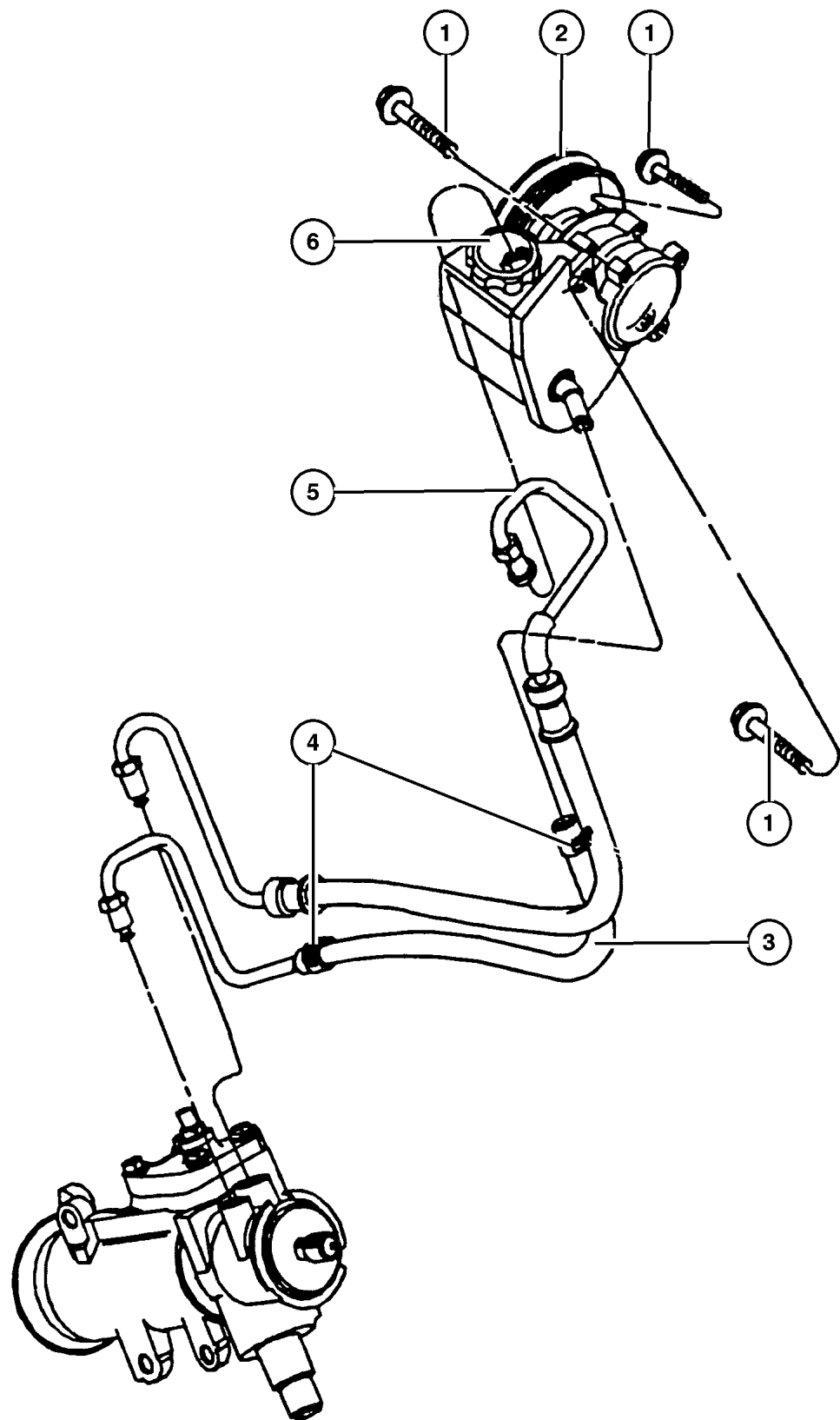
JEEP WRANGLER (TJ)

SERIES	LINE	BODY	ENGINE	TRANSMISSION
H = Sport	J = Wrangler 4WD	77 = 93.4 WB	EPE, EP0 = 2.5L Power Tech	DGG, DGD = 32RH 3 Spd. Auto.
L = SE	U = Wrangler 4WD (RHD)		ERH, ER0 = 4.0L Power Tech	DDQ = 5 Spd. Manual
M = X				DDD = 5 Speed HD Manual
P = Sahara				DG0 = Auto. Trans.
				DBB = Manual Trans.

AR = Use as required - = Non illustrated part # = New this model year

January 26, 2004

Hoses and Reservoir, 4.0L Engine [ER0] Figure 019-720



ITEM	PART NUMBER	QTY	LINE	SERIES	BODY	ENGINE	TRANS	TRIM	DESCRIPTION
Note: Sales Codes;									
[ER0]=Engines - All 4.0L 6 Cylinder Gas									
1	6502 425	3				ER0			SCREW AND WASHER, Hex Head, M8x1.25x95
2	53010 258AB	1				ER0			PULLEY, Power Steering Pump
3	52038 423AB	1	J			ER0			HOSE, Power Steering Return
	52038 424AB	1	U			ER0			
4	2448 761	1	J			ER0			CLAMP, Hose
5	52087 902AB	1	J			ER0			HOSE, Power Steering Pressure
	52087 903AB	1	U			ER0			
6	4897 287AA	1				ER0			CAP, Power Steering Reservoir
-7	3420 1888	1	U						SCREW, Hex Head, Power Steering Hose Bracket to Frame, Mounting
-8	6035 358	1	U						CLIP, Oil Cooler Tube
-9	5200 2044	1	U						CLIP, Tube, Power Steering Line to Frame
-10	4486 273	1	U						BRACKET, Power Steering Hose, Pressure and Return Reservoir to Pump

JEEP WRANGLER (TJ)				
SERIES	LINE	BODY	ENGINE	TRANSMISSION
H = Sport	J = Wrangler 4WD	77 = 93.4 WB	EPE, EP0 = 2.5L Power Tech	DGG, DGD = 32RH 3 Spd. Auto.
L = SE	U = Wrangler 4WD (RHD)		ERH, ER0 = 4.0L Power Tech	DDQ = 5 Spd. Manual
M = X				DDD = 5 Speed HD Manual
P = Sahara				DG0 = Auto. Trans.
				DBB = Manual Trans.

AR = Use as required - = Non illustrated part # = New this model year

January 26, 2004

Group – 30RH

Automatic Transmission 3 Speed

GROUP 30RH - Automatic Transmission 3 Speed

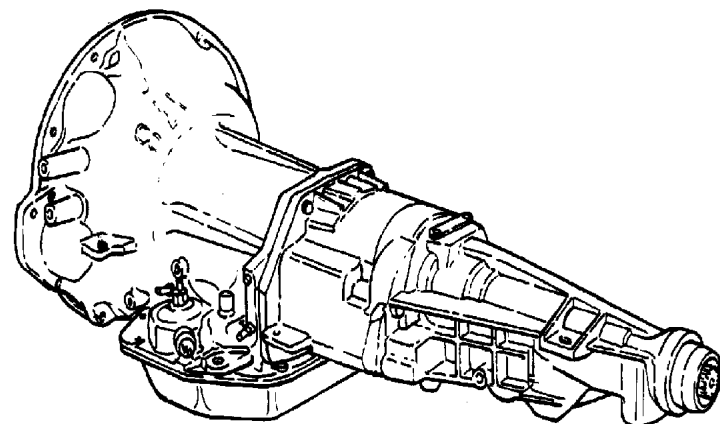
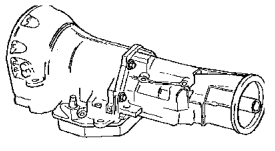
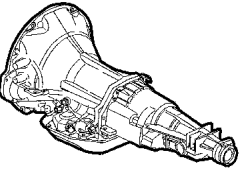

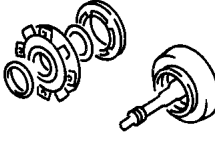
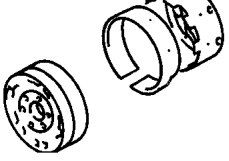
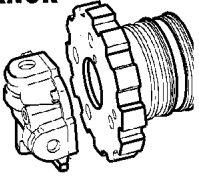
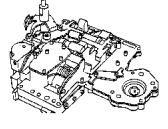
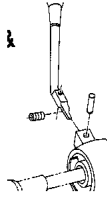


Illustration Title	Group-Fig. No.
Transmission Assembly	
Transmission 30RH (DGD)	Fig. 30RH-110
Case and Extension	
Case and Related Parts 30RH (DGD)	Fig. 30RH-210
Oil Pump	
Oil Pump 30RH (DGD)	Fig. 30RH-310
Gear Train	
Clutch, Front and Rear 30RH (DGD)	Fig. 30RH-410
Output Shaft 30RH (DGD)	Fig. 30RH-420
Bands, Reverse and Kickdown	
Bands 30RH (DGD)	Fig. 30RH-510
Governor	
Governor 30RH (DGD)	Fig. 30RH-610
Valve Body	
Valve Body 30RH (DGD)	Fig. 30RH-710
Servos 30RH (DGD)	Fig. 30RH-720
Parking Sprag 30RH (DGD)	Fig. 30RH-730
Gearshift Controls	
Gearshift Controls 30RH (DGD)	Fig. 30RH-1230

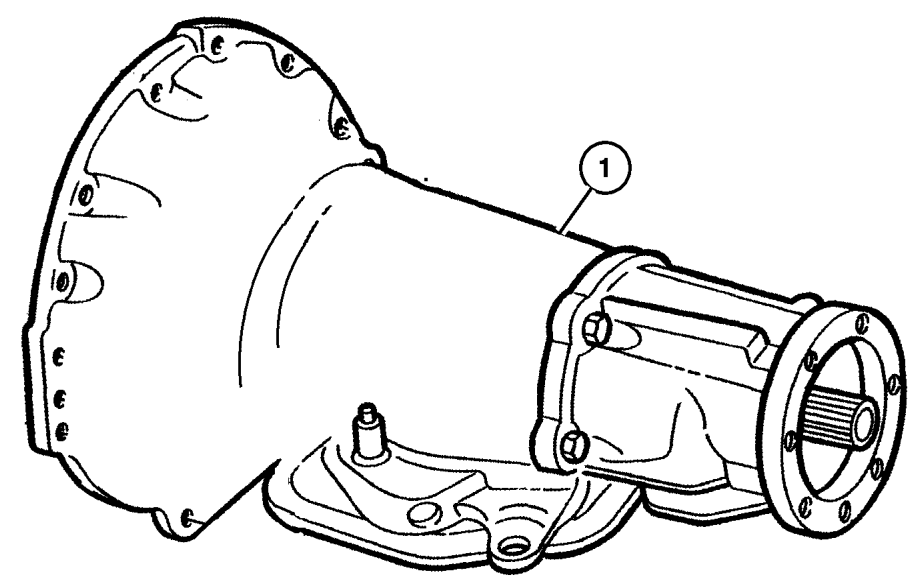
30RH-100 Transmission Assembly 	30RH-200 Case and Extension 	30RH-300 Oil Pump 	30RH-400 Gear Train 
30RH-500 Bands, Reverse and Kickdown 	30RH-600 Governor 	30RH-700 Valve Body 	30RH-1200 Gearshift Controls 

**Transmission 30RH (DGD)
Figure 30RH-110**

ITEM	PART NUMBER	QTY	LINE	SERIES	BODY	ENGINE	TRANS	TRIM	DESCRIPTION
------	-------------	-----	------	--------	------	--------	-------	------	-------------

NOTE; Sales Code
[DGD] = 3 Speed Automatic Transmission [30RH]

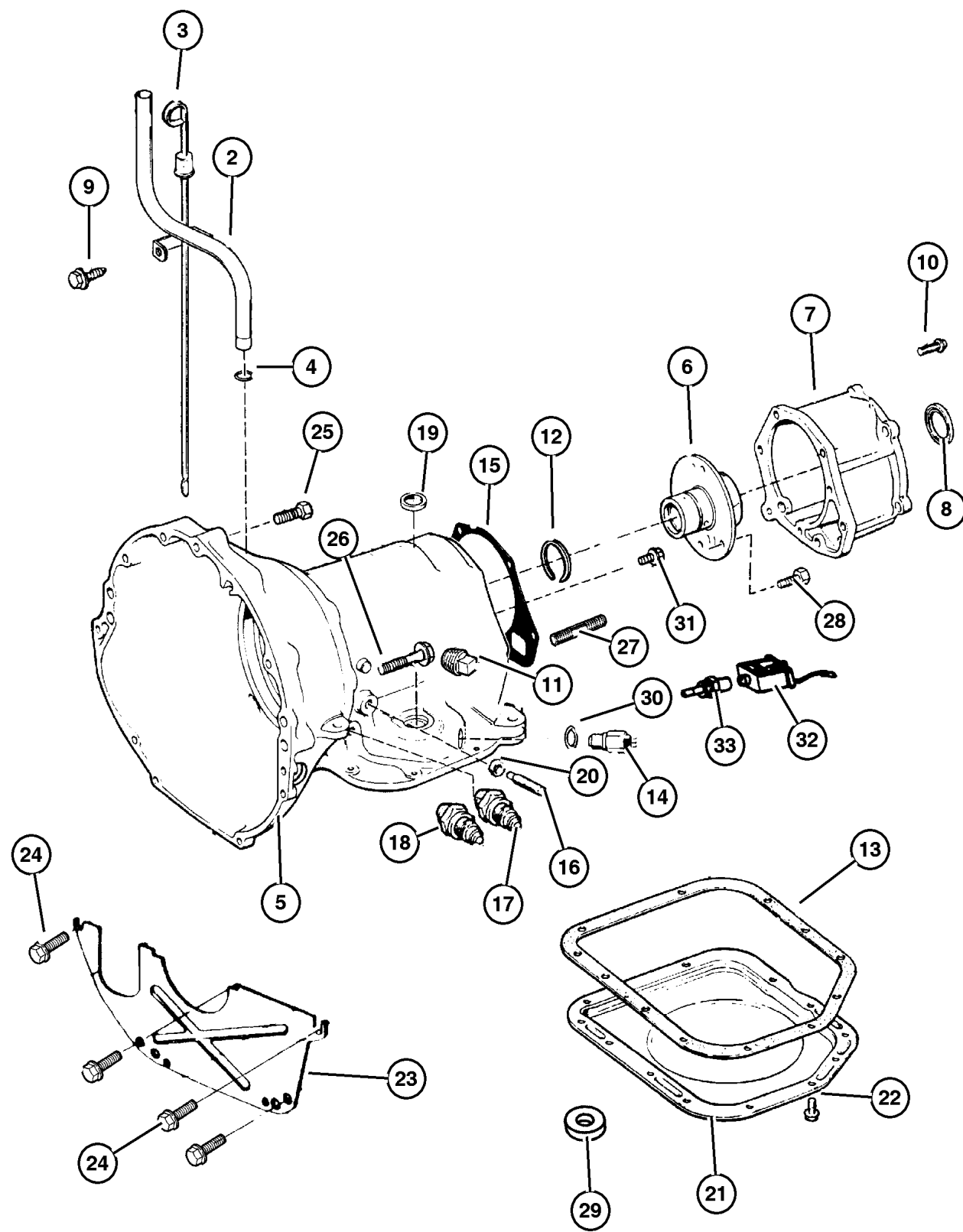
1	5015 269AA	1					DGD		TRANSMISSION PACKAGE, 52119831AA (Package Contains 52119831AA transmission, K4736388AB Converter, K6501099 Bolts)
---	------------	---	--	--	--	--	-----	--	---



JEEP WRANGLER (TJ)

SERIES	LINE	BODY	ENGINE	TRANSMISSION
H = Sport	J = Wrangler 4WD	77 = 93.4 WB	EPE, EP0 = 2.5L Power Tech	DGG, DGD = 32RH 3 Spd. Auto.
L = SE	U = Wrangler 4WD (RHD)		ERH, ER0 = 4.0L Power Tech	DDQ = 5 Spd. Manual
M = X				DDD = 5 Speed HD Manual
P = Sahara				DG0 = Auto. Trans.
				DBB = Manual Trans.

Case and Related Parts 30RH (DGD)
Figure 30RH-210



ITEM	PART NUMBER	QTY	LINE	SERIES	BODY	ENGINE	TRANS	TRIM	DESCRIPTION
-1	4883 957AD	1					DGD		SEAL AND GASKET PACKAGE, Transmission
2	52104 244AB	1				EP0	DG0		TUBE, Transmission Oil Filler
3	52104 240AD	1				EP0, ER0	DGD, DGG		INDICATOR, Transmission Fluid Level
4	52118 629AB	1				EP0, ER0	DG0		SEAL, Oil Filler Tube
5	5211 8593	1					DGD		CASE, Transmission
6	4431 433	1					DGD		SUPPORT, Output Shaft
7	5211 8076	1					DGD		ADAPTER, Transmission
8	4269 956AB	1					DGD		SEAL, Adapter
9	J400 1701	2	U				DBB		SCREW, Hex Self Tapping, .19-16x.50
10	6030 849	5					DGD		SCREW AND WASHER, Hex Head Locking, .375-16x1.375
11	6028 095	1					DGD		PLUG, Pressure Check
12	6033 480	1					DGD		SNAP RING, Reverse Drum
13	4295 875AC	1					DGD		GASKET, Oil Pan
14	56028 181AB	1					DGD		SWITCH, Neutral, Safety, Back Up
15	2466 954	1					DGD		GASKET, Transmission Case
16	6036 141AA	1					DGD		SCREW
17	6033 879	1					DGD		NUT, Inverted Flare, .62-18
18	5202 8629	1					DGD		CONNECTOR, Oil Cooler Tube, .375 Tube x .25 Thread
19	4505 098	1					DGD		SEAL, Manual Shift Valve, 1.25 OD
20	0124 934	1					DGD		NUT, Hex Jam, .50-20
21	5211 8802	1					DGD		PAN, Transmission Oil
22	4723 548	14					DGD		SCREW AND WASHER, Hex Head, .312-18x.625
23	5211 8408	1					DGD		COVER, Transmission Converter
24	1150 2628	2					DGD		BOLT, Hex Flange Head, M8x1.25x30
25	1150 4922	1					DGD		BOLT, Hex Head, M12x1.75x50
26	3420 1837	1					DGD		BOLT, Hex Flange Head, M12x1.75x90
27	6033 157	1					DGD		STUD, .375-16x2.312
28	6033 479	6					DGD		BOLT, Hex Head, .25-28x1-5/8

NOTE; Sales Code

[DGD] = 3 Speed Automatic Transmission [30RH]

[DG0] = All Automatic Transmissions

[EP0] = All 2.5L 4 Cylinder Gas Engines

[ER0] = All 4.0 L 6 Cylinder Gas Engines

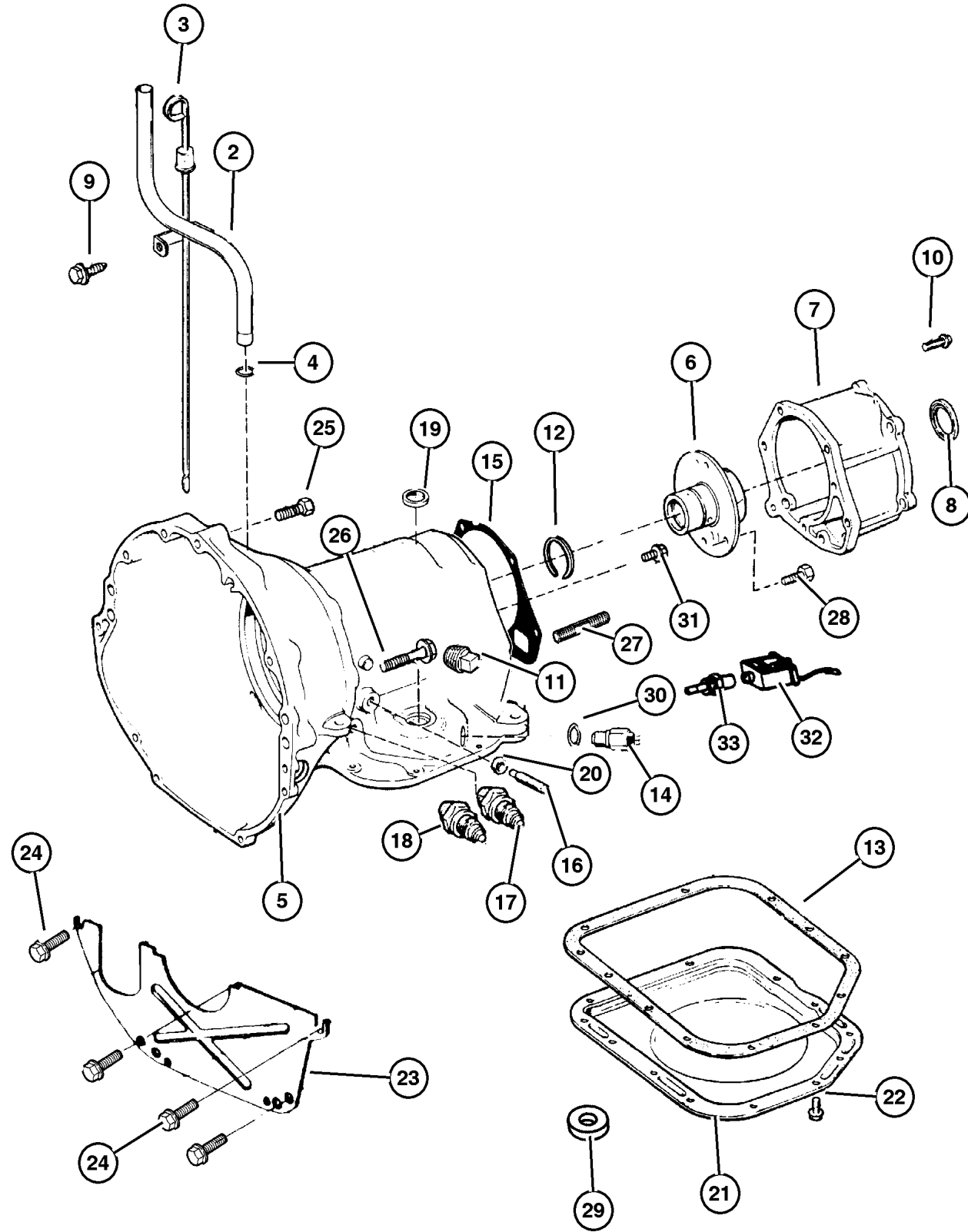
JEEP WRANGLER (TJ)

SERIES	LINE	BODY	ENGINE	TRANSMISSION
H = Sport	J = Wrangler 4WD	77 = 93.4 WB	EPE, EP0 = 2.5L Power Tech	DGG, DGD = 32RH 3 Spd. Auto.
L = SE	U = Wrangler 4WD (RHD)		ERH, ER0 = 4.0L Power Tech	DDQ = 5 Spd. Manual
M = X				DDD = 5 Speed HD Manual
P = Sahara				DG0 = Auto. Trans.
				DBB = Manual Trans.

AR = Use as required - = Non illustrated part # = New this model year

January 26, 2004

Case and Related Parts 30RH (DGD)
Figure 30RH-210



ITEM	PART NUMBER	QTY	LINE	SERIES	BODY	ENGINE	TRANS	TRIM	DESCRIPTION
29	3681 601	1					DGD		MAGNET, Transmission
30	2408 143	1					DGD		WASHER, Switch
31	6033 616	5					DGD		SCREW, Hex Flange Head, .25-28x.875
32	5211 8595	1					DGD		SOLENOID, Transmission
33	5603 8235	1					DGD		CONNECTOR, Wiring

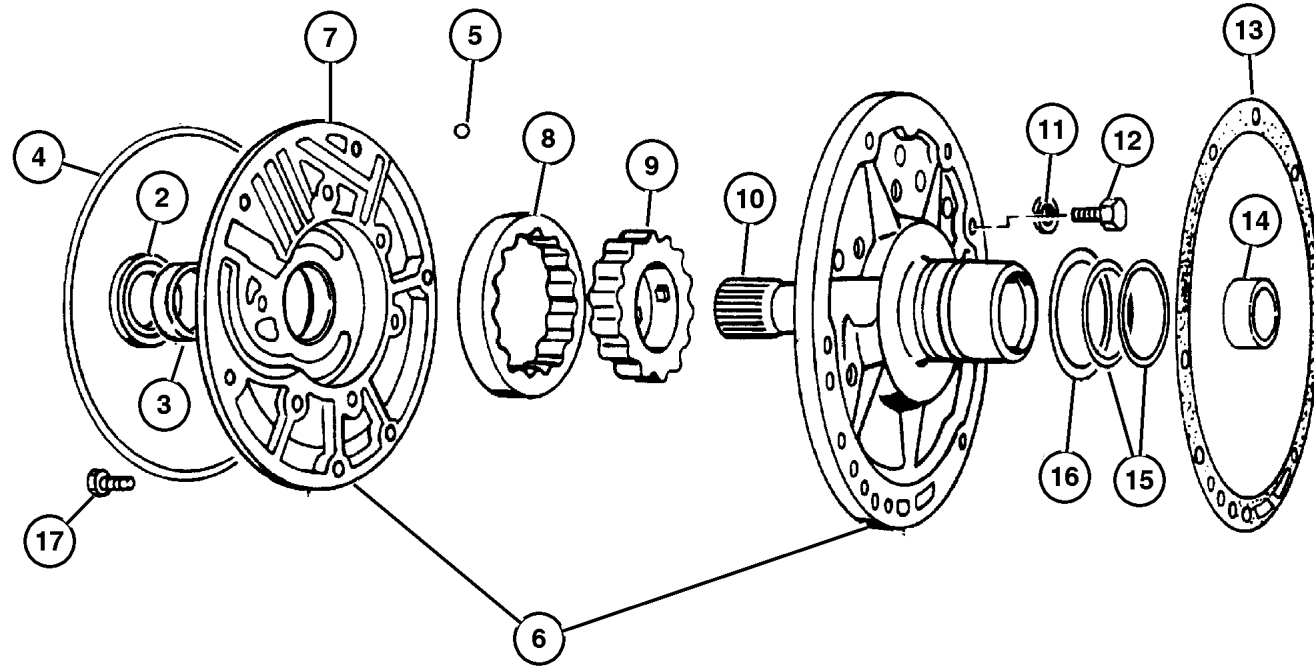
JEEP WRANGLER (TJ)

SERIES	LINE	BODY	ENGINE	TRANSMISSION
H = Sport	J = Wrangler 4WD	77 = 93.4 WB	EPE, EP0 = 2.5L Power Tech	DGG, DGD = 32RH 3 Spd. Auto.
L = SE	U = Wrangler 4WD (RHD)		ERH, ER0 = 4.0L Power Tech	DDQ = 5 Spd. Manual
M = X				DDD = 5 Speed HD Manual
P = Sahara				DG0 = Auto. Trans.
				DBB = Manual Trans.

AR = Use as required - = Non illustrated part # = New this model year

January 26, 2004

**Oil Pump 30RH (DGD)
Figure 30RH-310**



ITEM	PART NUMBER	QTY	LINE	SERIES	BODY	ENGINE	TRANS	TRIM	DESCRIPTION
NOTE; Sales Code									
[DGD] = 3 Speed Automatic Transmission [30RH]									
-1	4713 108AB	1					DGD		GASKET AND SEAL PACKAGE, Transmission Oil Pump
2	4412 475	1					DGD		SEAL, Impeller Hub, 57.25mm OD
3	2466 796	1					DGD		BUSHING, Front Pump
4	2204 709	1					DGD		SEAL, Front Pump Housing
5									BALL, Valve Body Check, (NOT SERVICED) (Not Serviced)
6	52118 267AB	1					DGD		PUMP, Transmission Oil
7									HOUSING, Pump, (NOT SERVICED) (Not Serviced)
8									ROTOR, Oil Pump, (NOT SERVICED) (Not Serviced)
9									ROTOR, Oil Pump, (NOT SERVICED) (Not Serviced)
10									SHAFT, Oil Pump, (NOT SERVICED) (Not Serviced)
11									LOCK WASHER, (NOT SERVICED) (Not Serviced)
12	0179 815	6					DGD		SCREW, Hex Head, .312-18x.687
13	5211 8266	1					DGD		GASKET, Transmission Oil Pump
14	4058 635	1					DGD		BUSHING, Reaction Shaft
15	4471 874	2					DGD		SEAL, Ring Reaction Support, 2 1/16 O.D.
16	4617 786	1					DGD		THRUST WASHER, Front Clutch
17	6023 943	6					DGD		SCREW AND WASHER, Hex Flange Head, .312-18x1.375

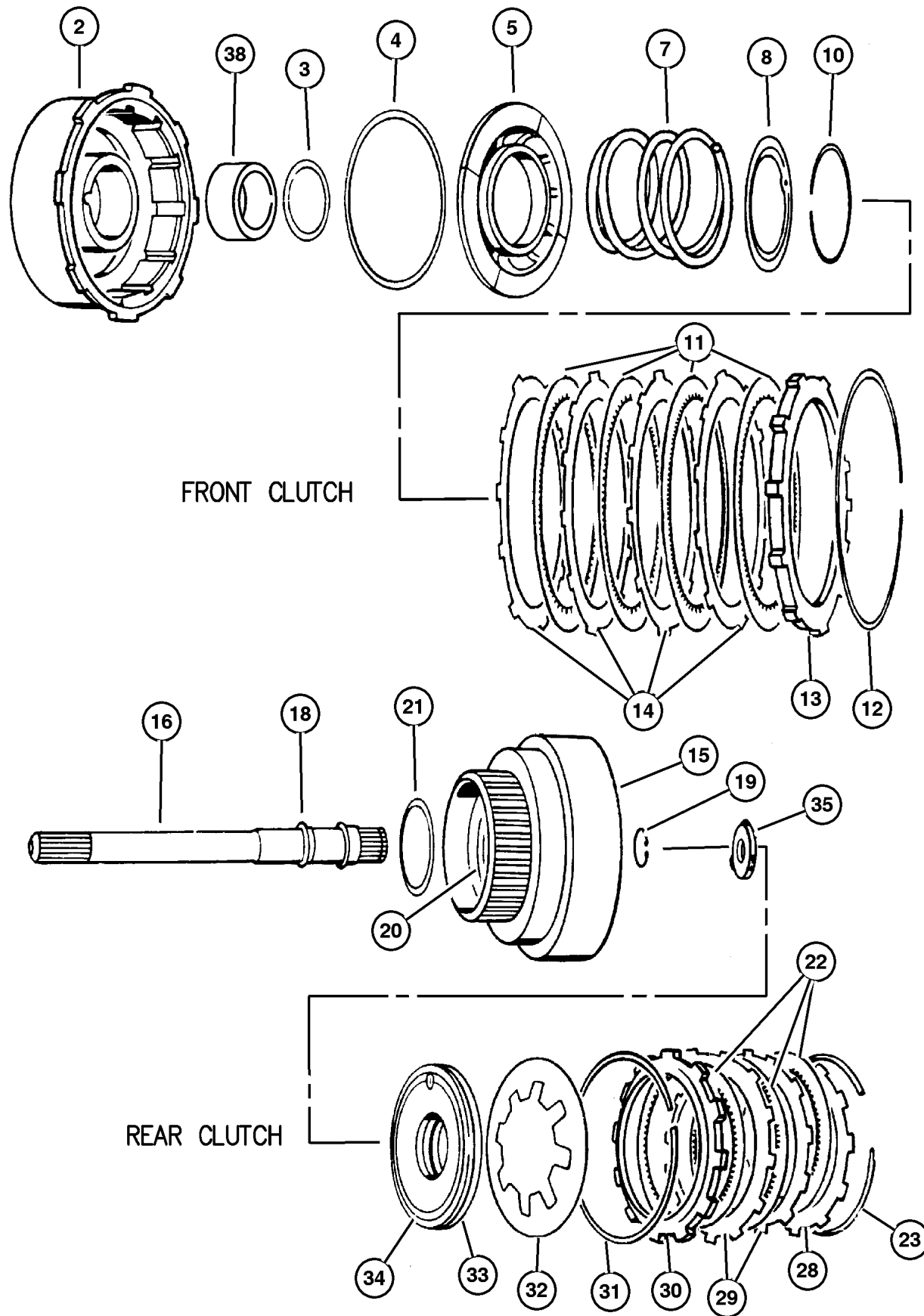
JEEP WRANGLER (TJ)

SERIES	LINE	BODY	ENGINE	TRANSMISSION
H = Sport	J = Wrangler 4WD	77 = 93.4 WB	EPE, EP0 = 2.5L Power Tech	DGG, DGD = 32RH 3 Spd. Auto.
L = SE	U = Wrangler 4WD (RHD)		ERH, ER0 = 4.0L Power Tech	DDQ = 5 Spd. Manual
M = X				DDD = 5 Speed HD Manual
P = Sahara				DG0 = Auto. Trans.
				DBB = Manual Trans.

AR = Use as required - = Non illustrated part # = New this model year

January 26, 2004

**Clutch, Front and Rear 30RH (DGD)
Figure 30RH-410**



ITEM	PART NUMBER	QTY	LINE	SERIES	BODY	ENGINE	TRANS	TRIM	DESCRIPTION
NOTE; Sales Code									
[DGD] = 3 Speed Automatic Transmission [30RH]									
-1	5252 926AB	1					DGD		SEAL PACKAGE, Transmission Clutch
2	4531 285AB	1					DGD		RETAINER AND BUSHING, Transmission Front Clutch
3	52852 923AA	1					DGD		SEAL, Front Clutch Piston
4	52852 925AA	1					DGD		SEAL, Front Piston Clutch
5	4617 154AB	1					DGD		PISTON, Clutch
-6	0147 483	1					DGD		CHECK BALL, Dia-.187
7	3515 054	1					DGD		SPRING, Front Clutch
8	4617 516AC	1					DGD		RETAINER, Transmission Front Clutch Piston Spring
-9	0147 483	1					DGD		CHECK BALL, Dia-.187
10	1942 400	1					DGD		SNAP RING
11	4617 362	4					DGD		DISC, Direct Clutch
12	3410 571	1					DGD		SNAP RING
13	4617 176AB	1					DGD		PLATE, Transmission Clutch Reaction
14	1942 403AB	2					DGD		PLATE, Clutch Separator
15	4505 195	1					DGD		RETAINER, Transmission Rear Clutch
16									SHAFT, Input, (NOT SERVICED) (Not Serviced)
-17	0147 483	1					DGD		CHECK BALL, Dia-.187
18	1401 221AB	1					DGD		SEAL, Input Shaft
19	6022 859	1					DGD		SNAP RING, .890625
20	4028 333	1					DGD		SEAL, Rear Clutch, 1.50 ODx.009 Thk
21	4617 786	1					DGD		THRUST WASHER, Front Clutch
22	4713 880	3					DGD		DISC, Clutch
23	4130 761	1					DGD		SNAP RING
-24	4539 121	1					DGD		SNAP RING, Rear Clutch, .076
-25	4539 122	1					DGD		SNAP RING, Rear Clutch, .098
-26	4539 123	1					DGD		SNAP RING, Rear Clutch, .095
-27	4539 124	1					DGD		SNAP RING, Rear Clutch, .107
28	4617 176AB	1					DGD		PLATE, Transmission Clutch Reaction
29	1942 403AB	2					DGD		PLATE, Clutch Separator
30	2466 281	1					DGD		PLATE, Clutch Pressure
31	2466 283	1					DGD		SPRING, Rear Clutch
32	4728 487	1					DGD		SPRING, Rear Clutch Piston

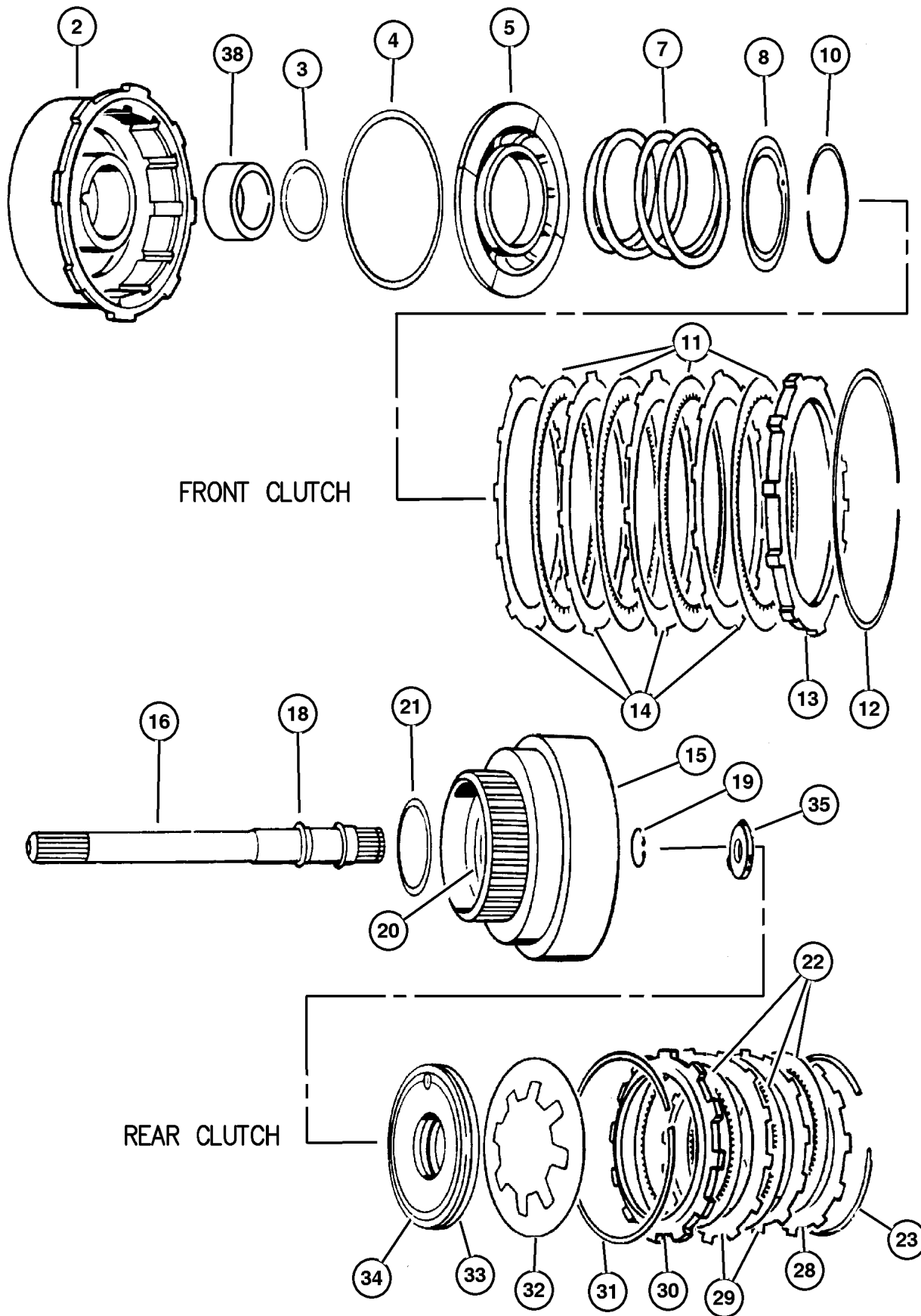
JEEP WRANGLER (TJ)

SERIES	LINE	BODY	ENGINE	TRANSMISSION
H = Sport	J = Wrangler 4WD	77 = 93.4 WB	EPE, EP0 = 2.5L Power Tech	DGG, DGD = 32RH 3 Spd. Auto.
L = SE	U = Wrangler 4WD (RHD)		ERH, ER0 = 4.0L Power Tech	DDQ = 5 Spd. Manual
M = X				DDD = 5 Speed HD Manual
P = Sahara				DG0 = Auto. Trans.
				DBB = Manual Trans.

AR = Use as required - = Non illustrated part # = New this model year

**Clutch, Front and Rear 30RH (DGD)
Figure 30RH-410**

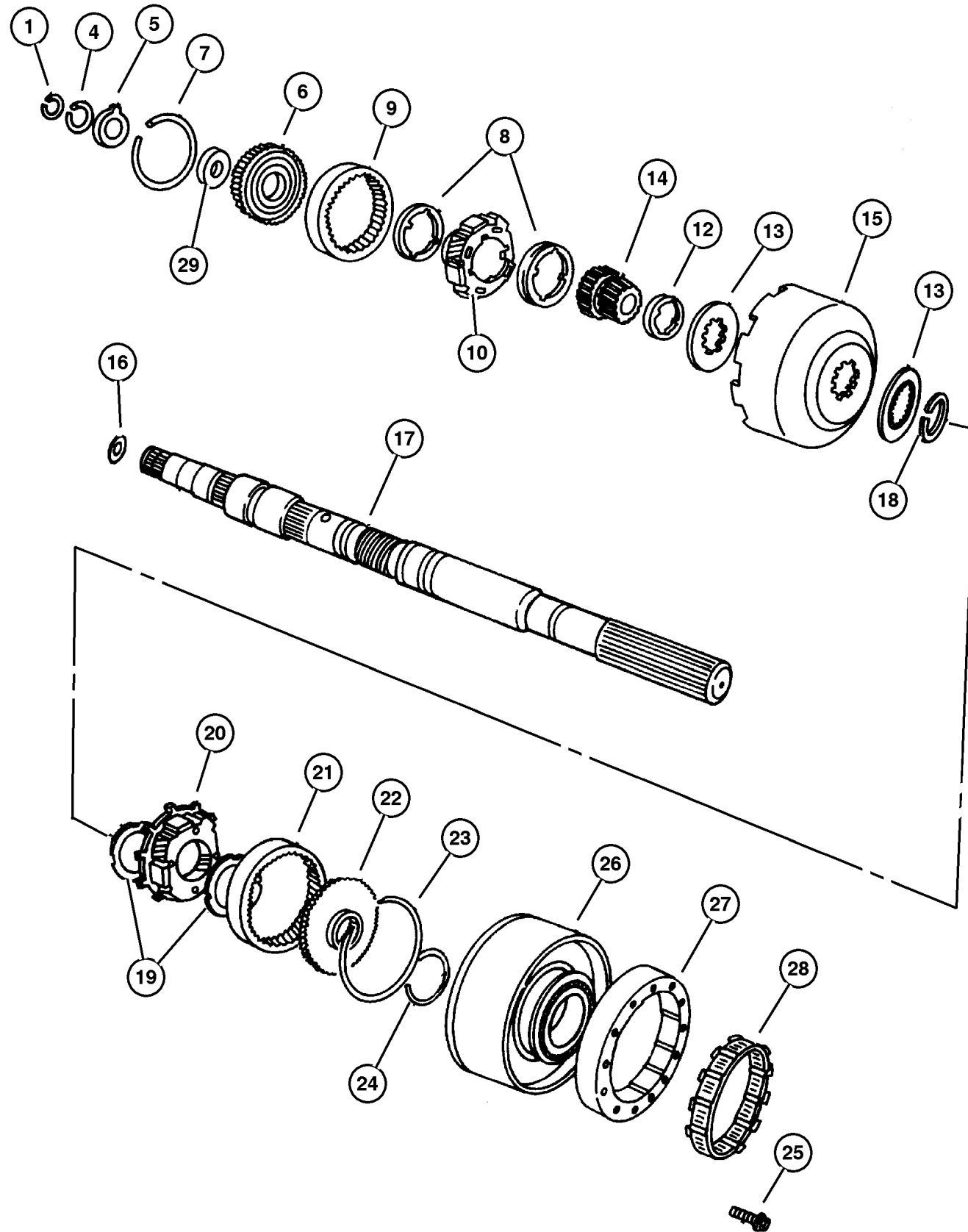
ITEM	PART NUMBER	QTY	LINE	SERIES	BODY	ENGINE	TRANS	TRIM	DESCRIPTION
33	2538 510	1					DGD		SEAL, Rear Clutch Piston
34	3515 716	1					DGD		PISTON, Clutch
35	4505 185	1					DGD		THRUST WASHER, Output Shaft, Gray .052
-36	4505 186	1					DGD		THRUST WASHER, Output Shaft, Red .068
-37	4505 187	1					DGD		THRUST WASHER, Output Shaft, Green .083
38	4617 157	1					DGD		BUSHING, Front Clutch



JEEP WRANGLER (TJ)

SERIES	LINE	BODY	ENGINE	TRANSMISSION
H = Sport	J = Wrangler 4WD	77 = 93.4 WB	EPE, EP0 = 2.5L Power Tech	DGG, DGD = 32RH 3 Spd. Auto.
L = SE	U = Wrangler 4WD (RHD)		ERH, ER0 = 4.0L Power Tech	DDQ = 5 Spd. Manual
M = X				DDD = 5 Speed HD Manual
P = Sahara				DG0 = Auto. Trans.
				DBB = Manual Trans.

**Output Shaft 30RH (DGD)
Figure 30RH-420**



ITEM	PART NUMBER	QTY	LINE	SERIES	BODY	ENGINE	TRANS	TRIM	DESCRIPTION
NOTE; Sales Code									
[DGD] = 3 Speed Automatic Transmission [30RH]									
1	6026 289	1					DGD		SNAP RING, .946 ID
-2	6030 938	1					DGD		SNAP RING
-3	6030 404	1					DGD		SNAP RING, Output Shaft, 1.029 OD
4	6030 576	1					DGD		SNAP RING, Annulus Gear, 1.375 ID
5	3681 969	1					DGD		THRUST WASHER, Annulus Gear
6	4617 774	1					DGD		SUPPORT, Annulus Gear
7	6030 576	1					DGD		SNAP RING, Annulus Gear, 1.375 ID
8	4130 518	2					DGD		THRUST WASHER, Planetary Carrier
9	4130 512	1					DGD		GEAR, Front Annulus
10	4130 514	1					DGD		CARRIER, Planetary Pinion
-11	3681 949	8					DGD		THRUST WASHER, Planet Pinion
12	4130 736	1					DGD		SPACER, Sun Gear
13	4471 566	2					DGD		PLATE, Transmission Module
14	4130 685	1					DGD		GEAR, Sun
15	4531 288	1					DGD		SHELL, Sun Gear
16	4505 188	1					DGD		PLATE, Transmission Module
17	4617 320	1					DGD		MAINSHAFT, Transmission
18	1942 439	1					DGD		SNAP RING, Sun Gear Shell
19	3681 935	1					DGD		THRUST WASHER, Planetary Carrier
20	4431 438	1					DGD		CARRIER, Planetary Pinion
21	3743 184	1					DGD		GEAR, Rear Annulus
22	3515 501	1					DGD		SUPPORT, Annulus Gear
23	1942 444	1					DGD		SNAP RING
24	6033 480	1					DGD		SNAP RING, Reverse Drum
25	6033 616	5					DGD		SCREW, Hex Flange Head, .25-28x.875
26	4637 956	1					DGD		DRUM PACKAGE, Transmission
27	4431 690	1					DGD		CAM, Overrunning Clutch
28	4431 432	1					DGD		CLUTCH, Overrunning
29	4617 775	1					DGD		PLATE, Annulus Gear Thrust

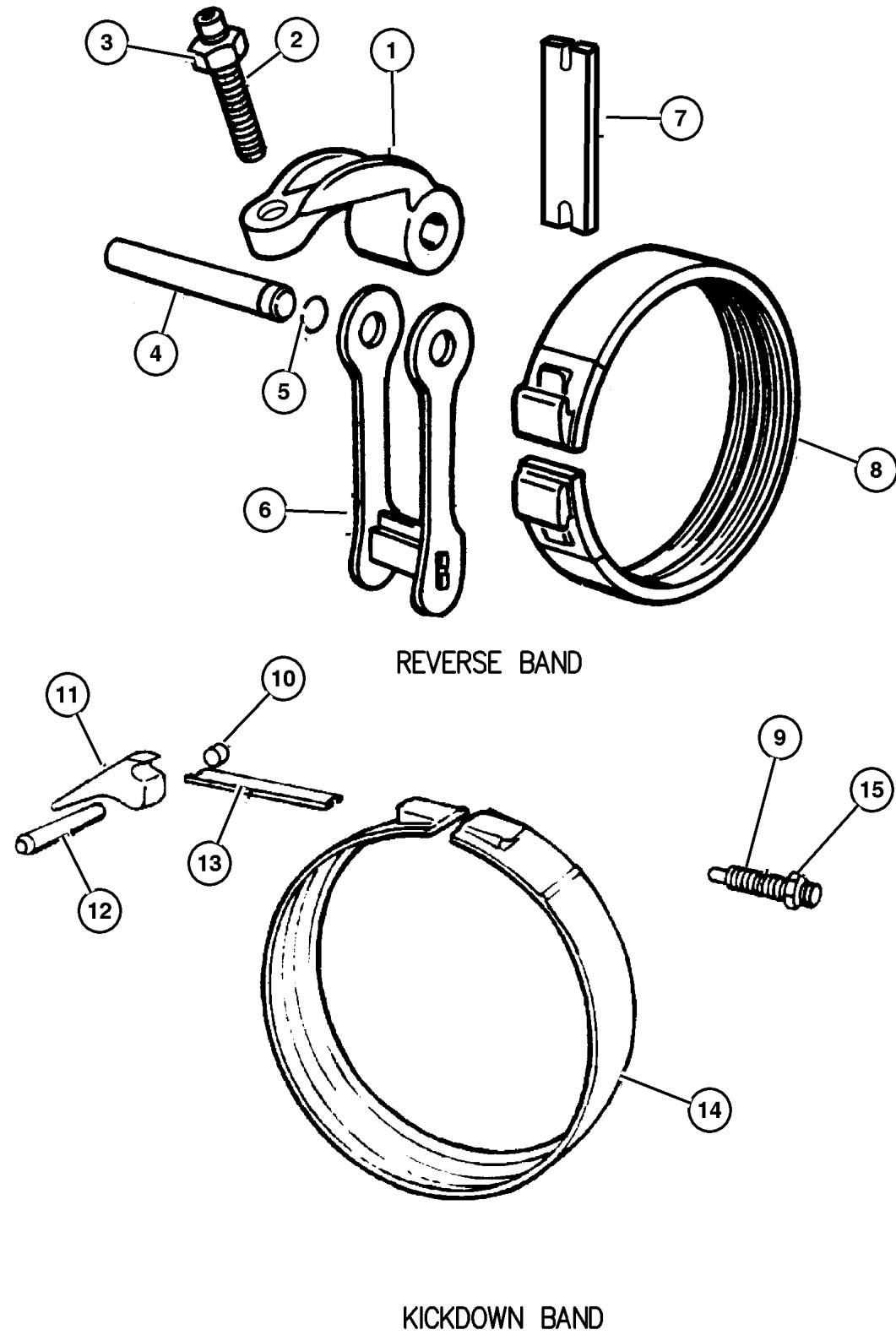
JEEP WRANGLER (TJ)

SERIES	LINE	BODY	ENGINE	TRANSMISSION
H = Sport	J = Wrangler 4WD	77 = 93.4 WB	EPE, EP0 = 2.5L Power Tech	DGG, DGD = 32RH 3 Spd. Auto.
L = SE	U = Wrangler 4WD (RHD)		ERH, ER0 = 4.0L Power Tech	DDQ = 5 Spd. Manual
M = X				DDD = 5 Speed HD Manual
P = Sahara				DG0 = Auto. Trans.
				DBB = Manual Trans.

AR = Use as required - = Non illustrated part # = New this model year

January 26, 2004

**Bands 30RH (DGD)
Figure 30RH-510**



REVERSE BAND

KICKDOWN BAND

ITEM	PART NUMBER	QTY	LINE	SERIES	BODY	ENGINE	TRANS	TRIM	DESCRIPTION
NOTE; Sales Code									
[DGD] = 3 Speed Automatic Transmission [30RH]									
1	3681 139	1					DGD		LEVER, Reverse Band
2	6030 704	1					DGD		SCREW, Cap, .437-20x1.812
3	0271 506	1					DGD		NUT, Hex, .42-20
4	3410 102	1					DGD		SHAFT, Reverse Band
5	6030 657	1					DGD		O RING, Steering Gear
6	2464 439	1					DGD		LINK, Transmission Reverse Band
7	3515 589	1					DGD		STRUT, Reverse Band
8	4431 405	1					DGD		BAND, Reverse
9	6036 141AA	1					DGD		SCREW
10									PLUG, (NOT SERVICED) (Not Serviced)
11	2125 067	1					DGD		LEVER, Kickdown
12	4531 181	1					DGD		SHAFT, Band Lever
13	3515 084	1					DGD		STRUT, Kickdown Band
14	4617 849AB	1					DGD		BAND, Kickdown
15	0124 934	1					DGD		NUT, Hex Jam, .50-20

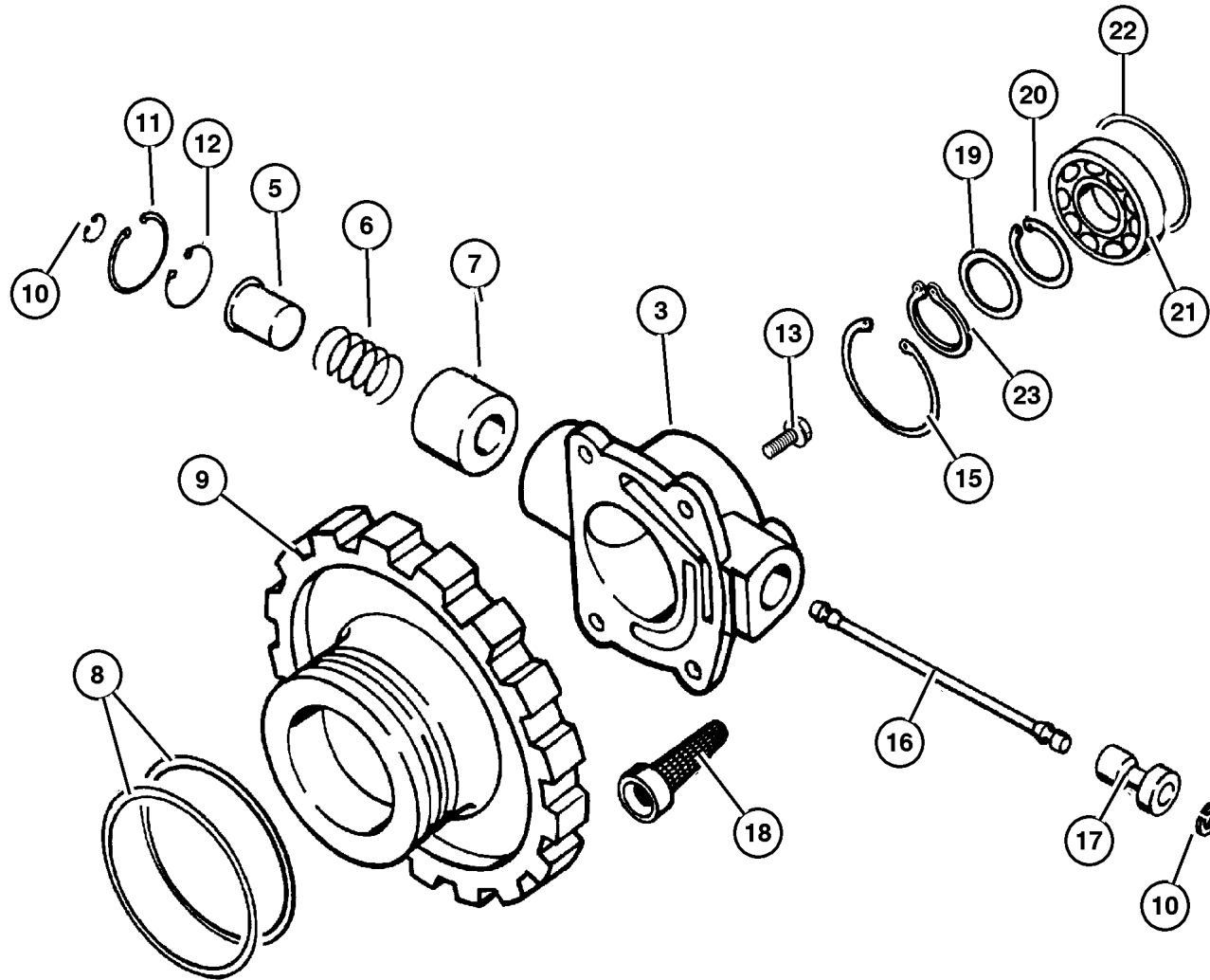
JEEP WRANGLER (TJ)

SERIES	LINE	BODY	ENGINE	TRANSMISSION
H = Sport	J = Wrangler 4WD	77 = 93.4 WB	EPE, EP0 = 2.5L Power Tech	DGG, DGD = 32RH 3 Spd. Auto.
L = SE	U = Wrangler 4WD (RHD)		ERH, ER0 = 4.0L Power Tech	DDQ = 5 Spd. Manual
M = X				DDD = 5 Speed HD Manual
P = Sahara				DG0 = Auto. Trans.
				DBB = Manual Trans.

AR = Use as required - = Non illustrated part # = New this model year

January 26, 2004

**Governor 30RH (DGD)
Figure 30RH-610**



ITEM	PART NUMBER	QTY	LINE	SERIES	BODY	ENGINE	TRANS	TRIM	DESCRIPTION
NOTE; Sales Code									
[DGD] = 3 Speed Automatic Transmission [30RH]									
-1	4883 956AC	1					DGD		GASKET AND SEAL PACKAGE, Governor
-2	4728 460	1					DGD		BODY PACKAGE, Governor
3									BODY, Governor, (NOT SERVICED) (Not Serviced)
-4	5211 7938	1					DGD		WEIGHT KIT, Transmission Governor
5									INNER, Inner, (NOT SERVICED) (Not Serviced)
6									SPRING, Governor Valve, (NOT SERVICED) (Not Serviced)
7									WEIGHT, Governor, (NOT SERVICED) (Not Serviced)
8	1942 109	1					DGD		SEAL, Governor
9	3743 518	1					DGD		SUPPORT, Governor
10	1638 461	2					DGD		SNAP RING
11	6031 392	1					DGD		SNAP RING, Brake Master Cylinder
12	6034 723	1					DGD		SNAP RING, Governor, .675 x .025
13	6031 613	2					DGD		BOLT, Hex Head, .25-20x.68
-14	6034 788	2					DGD		BOLT, Hex Head, .25-20x1.33
15	6027 271	1					DGD		SNAP RING, Governor, 1.156
16	1556 082	1					DGD		SHAFT, Governor
17	4617 064	1					DGD		VALVE, Governor
18	3743 519	1					DGD		FILTER, Transmission Governor
19	4617 799	1					DGD		SPACER, Output Shaft
20	6025 668	1					DGD		SNAP RING, 1.150" Free Diameter
21	4130 537	1					DGD		BEARING, Output Shaft
22	6032 739	1					DGD		O RING, Output Shaft Bearing, Transmission
23	6025 668	1					DGD		SNAP RING, 1.150" Free Diameter

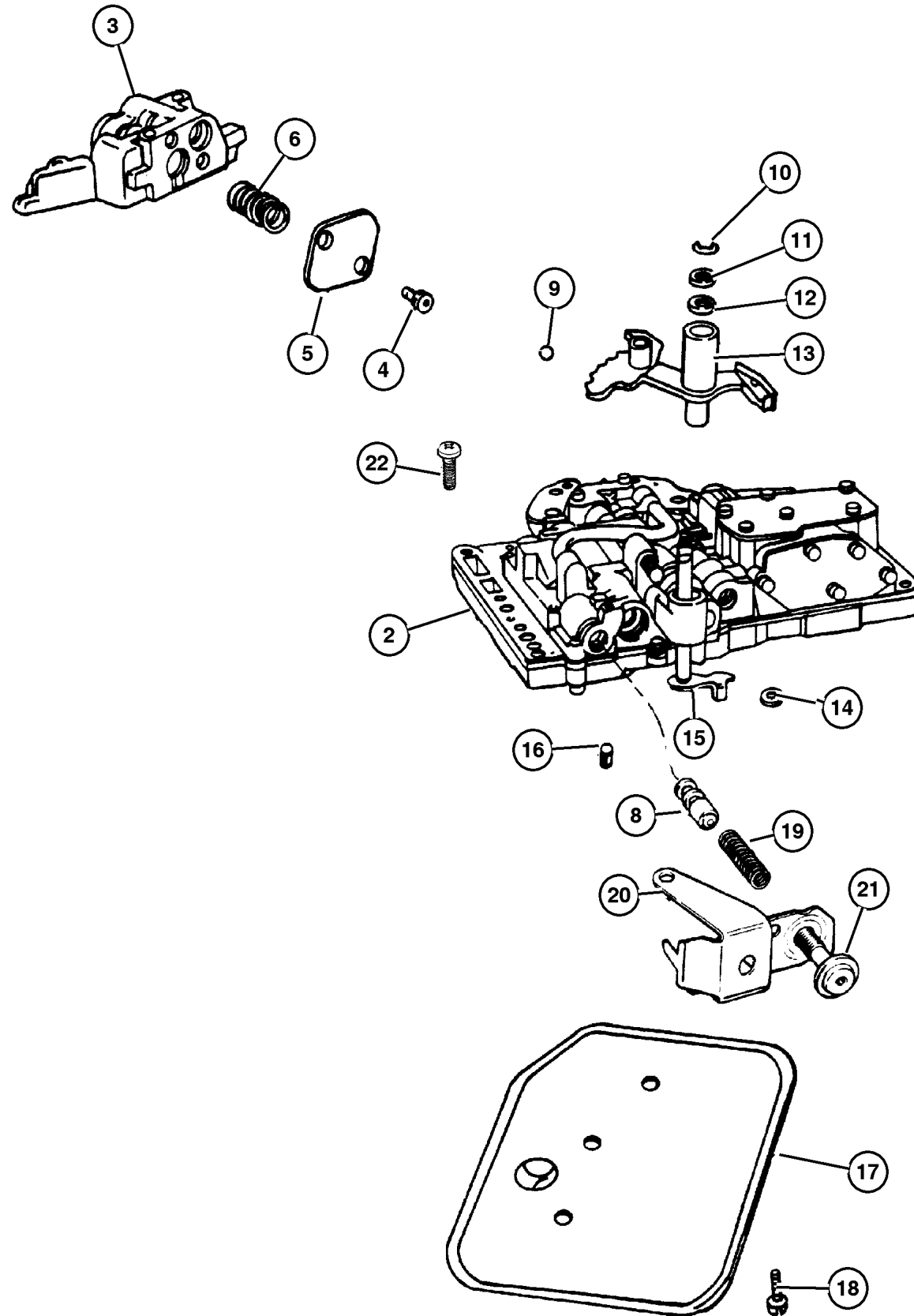
JEEP WRANGLER (TJ)

SERIES	LINE	BODY	ENGINE	TRANSMISSION
H = Sport	J = Wrangler 4WD	77 = 93.4 WB	EPE, EP0 = 2.5L Power Tech	DGG, DGD = 32RH 3 Spd. Auto.
L = SE	U = Wrangler 4WD (RHD)		ERH, ER0 = 4.0L Power Tech	DDQ = 5 Spd. Manual
M = X				DDD = 5 Speed HD Manual
P = Sahara				DG0 = Auto. Trans.
				DBB = Manual Trans.

AR = Use as required - = Non illustrated part # = New this model year

January 26, 2004

**Valve Body 30RH (DGD)
Figure 30RH-710**



ITEM	PART NUMBER	QTY	LINE	SERIES	BODY	ENGINE	TRANS	TRIM	DESCRIPTION
NOTE; Sales Code									
[DGD] = 3 Speed Automatic Transmission [30RH]									
-1	5072 406AA	1					DGD		GASKET AND SEAL PACKAGE, Valve Body
2	5211 8596	1					DGD		BODY, Transfer Plate
3	5211 8596	1					DGD		BODY, Transfer Plate
4									SCREW, Pan Head, .19-24x.440, (NOT SERVICED) (Not Serviced)
5									PLATE, (NOT SERVICED) (Not Serviced)
6									SPRING, Lock Up Valve, (NOT SERVICED) (Not Serviced)
-7									SCREW AND WASHER, Hex Flange Head, .190-24x1.54, (NOT SERVICED) (Not Serviced)
8	4505 036	1					DGD		VALVE, Trans Lockup Switch
9	0147 488	1					DGD		BALL, Manual Lever Detent, .343 Diameter
10	6035 208	2					DGD		SNAP RING
11	2538 062	1					DGD		WASHER, Manual Valve Lever
12	2466 548	1					DGD		SEAL, Valve Lever Shift
13	4617 439	1					DGD		LEVER, Manual Valve
14	4505 098	1					DGD		SEAL, Manual Shift Valve, 1.25 OD
15	3681 227	1					DGD		LEVER, Throttle Valve
16	3878 313	1					DGD		SCREEN, Transmission Regulator Valve
17	3515 996	1					DGD		FILTER, Valve Body
18	6033 826	3					DGD		SCREW AND WASHER, Oil Filter Mounting, Fillester Head .190-24x2.500
19	4130 492	1					DGD		SPRING, Switch Valve
20									BRACKET, (NOT SERVICED) (Not Serviced)
21	6030 609	1					DGD		SCREW, Cap Head Lock, .312-24x1.25
22									SCREW, (NOT SERVICED) (Not Serviced)
-23	4348 907	1					DGD		SPRING, Limit Valve

JEEP WRANGLER (TJ)

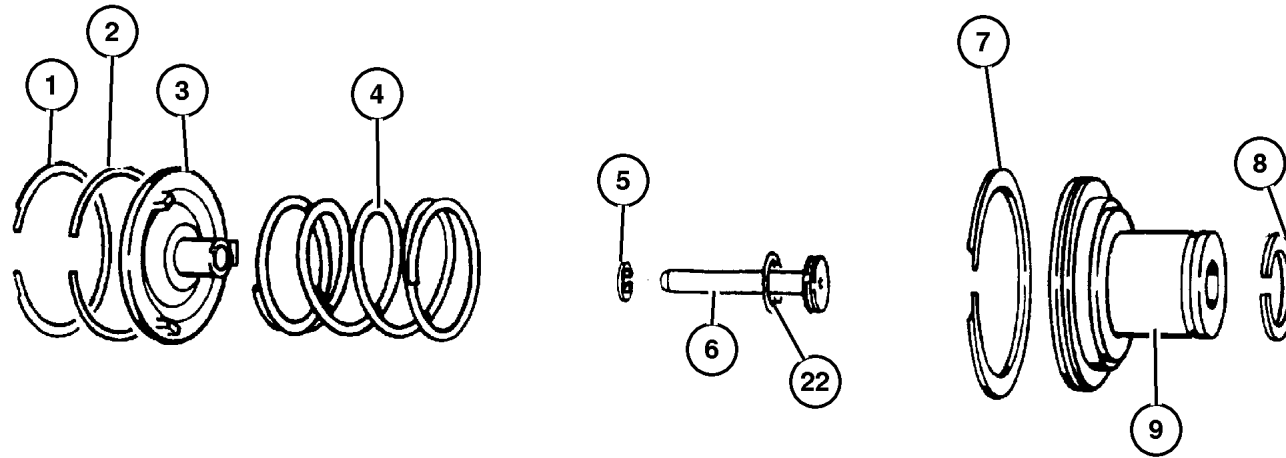
SERIES	LINE	BODY	ENGINE	TRANSMISSION
H = Sport	J = Wrangler 4WD	77 = 93.4 WB	EPE, EP0 = 2.5L Power Tech	DGG, DGD = 32RH 3 Spd. Auto.
L = SE	U = Wrangler 4WD (RHD)		ERH, ER0 = 4.0L Power Tech	DDQ = 5 Spd. Manual
M = X				DDD = 5 Speed HD Manual
P = Sahara				DG0 = Auto. Trans.
				DBB = Manual Trans.

AR = Use as required - = Non illustrated part # = New this model year

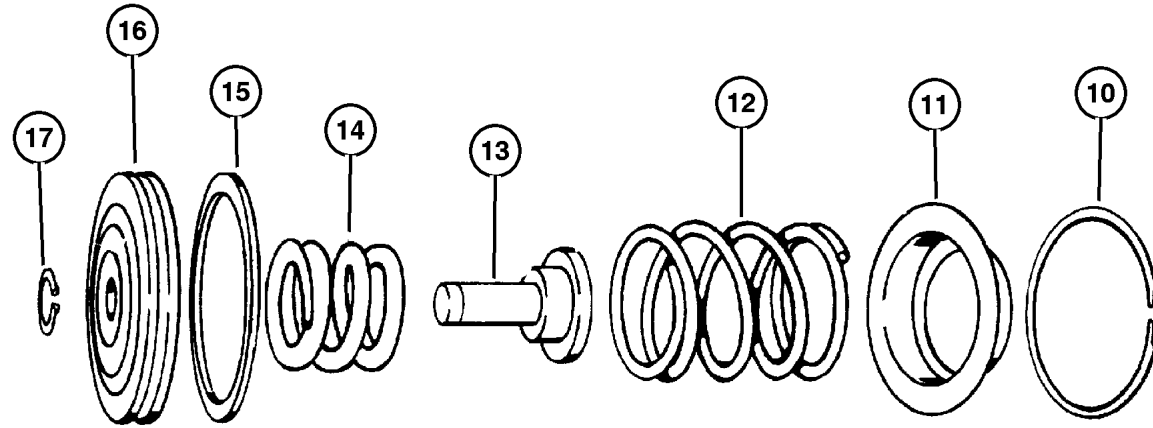
January 26, 2004

Servos 30RH (DGD)
Figure 30RH-720

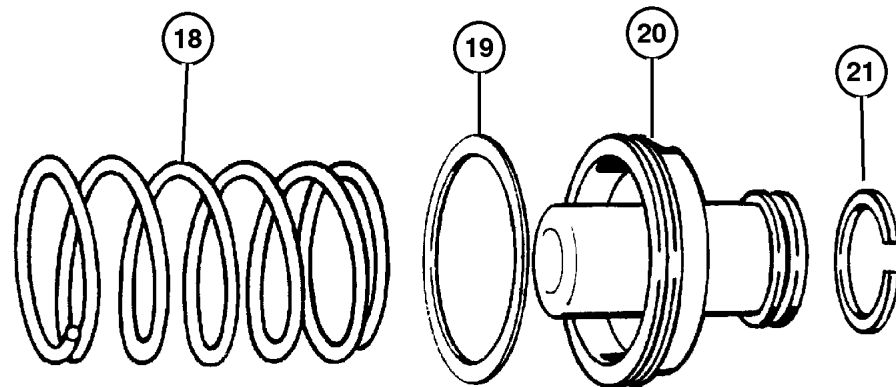
ITEM	PART NUMBER	QTY	LINE	SERIES	BODY	ENGINE	TRANS	TRIM	DESCRIPTION
NOTE; Sales Code									
[DGD] = 3 Speed Automatic Transmission [30RH]									
1	1942 486	1					DGD		SNAP RING
2	3743 014	1					DGD		SEAL, Kickdown Servo
3	1942 485	1					DGD		GUIDE, Kickdown Servo
4									SPRING, Kickdown Servo Piston, (NOT SERVICED) (Not Serviced)
5	6031 392	1					DGD		SNAP RING, Brake Master Cylinder
6	4058 943	1					DGD		ROD, Kickdown Servo Piston
7	3743 014	1					DGD		SEAL, Kickdown Servo
8	1636 470	1					DGD		SEAL, Servo Piston
9	4058 942	1					DGD		PISTON, Kickdown Servo
10	2464 464	1					DGD		SNAP RING
11	2464 463	1					DGD		RETAINER, Transmission Rear Clutch
12	2801 274	1					DGD		SPRING, Reverse Servo Piston
13	5211 8741	1					DGD		PLUG, Reverse Servo Piston
14	3743 580	1					DGD		SPRING, Reverse Servo Piston
15	4202 864	1					DGD		SEAL, Reverse Servo Piston
16	5211 8744	1					DGD		PISTON, Reverse Servo
17	6027 153	1					DGD		SNAP RING, .435 ID
18	4531 259	1					DGD		SPRING, Transmission Accumulator
19	3743 013	1					DGD		SEAL, Piston Accumulator
20	3743 650	1					DGD		PISTON, Accumulator
21	3743 010	1					DGD		SEAL, Piston Accumulator
22	6031 410	1					DGD		O RING, Trans Kickdown Servo



KICKDOWN SERVO



LOW AND REVERSE SERVO



ACCUMULATOR PISTON AND SPRING

JEEP WRANGLER (TJ)				
SERIES	LINE	BODY	ENGINE	TRANSMISSION
H = Sport	J = Wrangler 4WD	77 = 93.4 WB	EPE, EP0 = 2.5L Power Tech	DGG, DGD = 32RH 3 Spd. Auto.
L = SE	U = Wrangler 4WD (RHD)		ERH, ER0 = 4.0L Power Tech	DDQ = 5 Spd. Manual
M = X				DDD = 5 Speed HD Manual
P = Sahara				DG0 = Auto. Trans.
				DBB = Manual Trans.

AR = Use as required - = Non illustrated part # = New this model year

January 26, 2004

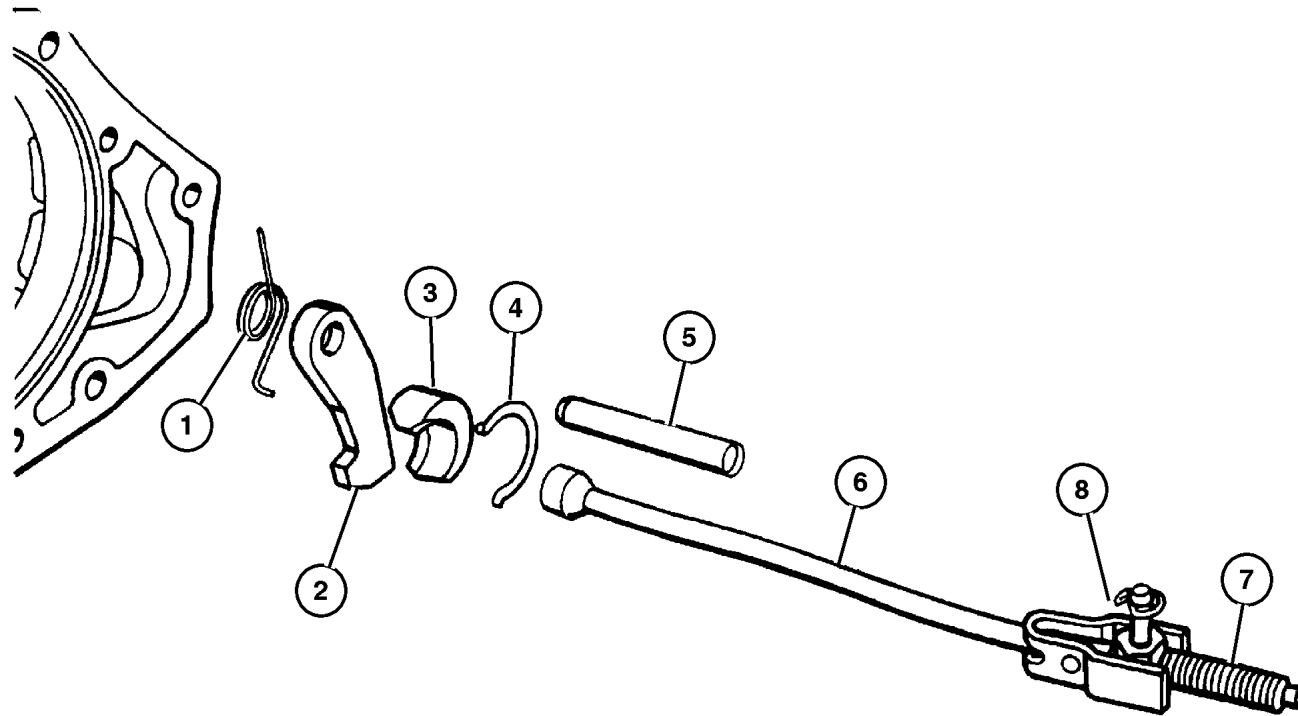
**Parking Sprag 30RH (DGD)
Figure 30RH-730**

ITEM	PART NUMBER	QTY	LINE	SERIES	BODY	ENGINE	TRANS	TRIM	DESCRIPTION
------	-------------	-----	------	--------	------	--------	-------	------	-------------

NOTE; Sales Code

[DGD] = 3 Speed Automatic Transmission [30RH]

1	2466 909	1					DGD		SPRING, Parking Sprag
2	4471 415	1					DGD		SPRAG, Transmission Parking
3	2538 042	1					DGD		PLUG, Parking Sprag
4	2538 034	1					DGD		SNAP RING, Transmission
5	2466 892	1					DGD		SHAFT, Parking Sprag
6	2466 906	1					DGD		ROD, Parking Sprag
7									SPRING, Parking Sprag Return, (NOT SERVICED) (Not Serviced)
8	6035 256	1					DGD		SNAP RING, Rod



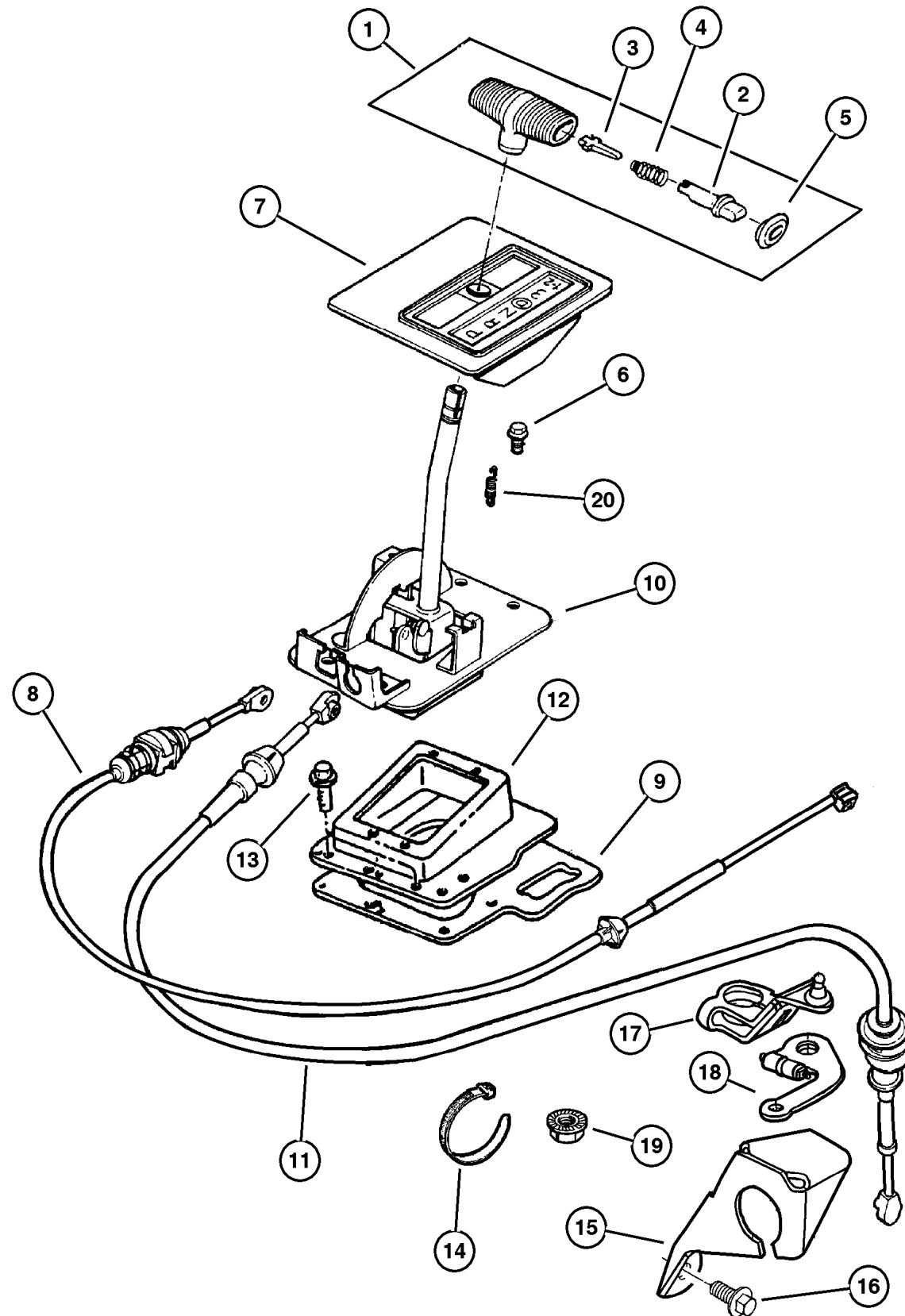
JEEP WRANGLER (TJ)

SERIES	LINE	BODY	ENGINE	TRANSMISSION
H = Sport	J = Wrangler 4WD	77 = 93.4 WB	EPE, EP0 = 2.5L Power Tech	DGG, DGD = 32RH 3 Spd. Auto.
L = SE	U = Wrangler 4WD (RHD)		ERH, ER0 = 4.0L Power Tech	DDQ = 5 Spd. Manual
M = X				DDD = 5 Speed HD Manual
P = Sahara				DG0 = Auto. Trans.
				DBB = Manual Trans.

AR = Use as required - = Non illustrated part # = New this model year

January 26, 2004

**Gearshift Controls 30RH (DGD)
Figure 30RH-1230**



ITEM	PART NUMBER	QTY	LINE	SERIES	BODY	ENGINE	TRANS	TRIM	DESCRIPTION
NOTE; Sales Code									
[DBB] = All Manual Transmissions									
[DGD] = 3 Speed Automatic Transmission [30RH]									
[DGO] = All Automatic Transmissions									
[EP0] = All 2.5L 4 Cylinder Gas Engines									
[ER0] = All 4.0 L 6 Cylinder Gas Engines									
1	5210 4028	1					DGO		HANDLE, Gearshift
2	5300 0211	1					DGO		BUTTON, Gearshift Knob
3	5300 0865	1					DGO		LEVER, Gearshift
4	5300 0866	1					DGO		SPRING, Button Return
5	5207 7561	1					DGO		CAP, Gearshift Handle Button
6	6501 648	4					DGO		SCREW, Hex Flange Head, M8x1.25x25.00
7	55115 570AB	1					DGO		BEZEL AND DIAL, Gearshift Lever
8	5210 4144	1					DGO		CABLE, Park Interlock
9	5300 0659	1					DGO		SEAL, Shift Housing
10	52078 551AB	1					DGO		HOUSING, Shift Lever
11	5210 4142	1					DGO		CABLE, Shift
12	5300 0704	1					DGO		COVER, Gearshift
13	J400 1701	2	U				DBB		SCREW, Hex Self Tapping, .19-16x.50
14	4641 780	1							STRAP, Tie
15	5207 8255	1					DGD, DGG		BRACKET, Shift Cable
16									SCREW AND WASHER, Truss Head, .312-18x.750, (NOT SERVICED) (Not Serviced)
17	5210 4058	1					DGD, DGG		LEVER, Manual Control
18	3681 227	1					DGD		LEVER, Throttle Valve
19	6028 114	1					DGO		NUT, Hex, .437-14
20									SPRING, Pawl Return, (NOT SERVICED) (Not Serviced)

JEEP WRANGLER (TJ)

SERIES	LINE	BODY	ENGINE	TRANSMISSION
H = Sport	J = Wrangler 4WD	77 = 93.4 WB	EPE, EP0 = 2.5L Power Tech	DGG, DGD = 32RH 3 Spd. Auto.
L = SE	U = Wrangler 4WD (RHD)		ERH, ER0 = 4.0L Power Tech	DDQ = 5 Spd. Manual
M = X				DDD = 5 Speed HD Manual
P = Sahara				DGO = Auto. Trans.
				DBB = Manual Trans.

AR = Use as required - = Non illustrated part # = New this model year

January 26, 2004

Group – 32RH

Automatic Transmission 3 Speed

GROUP 32RH - Automatic Transmission 3 Speed

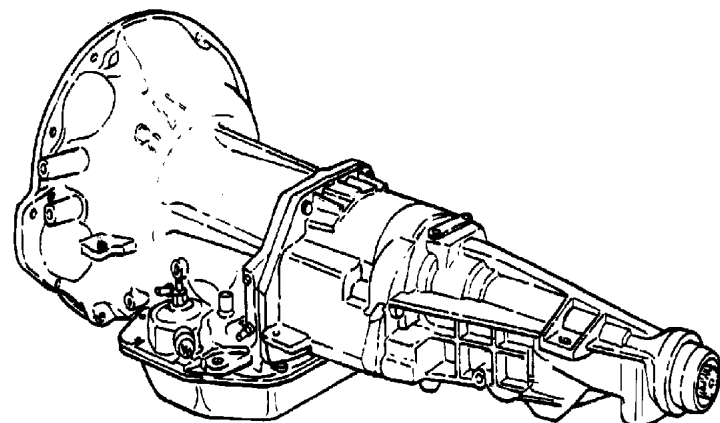
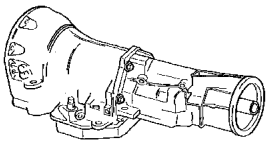
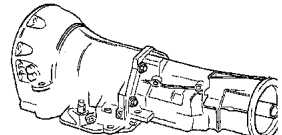

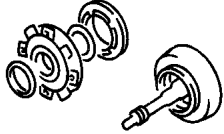
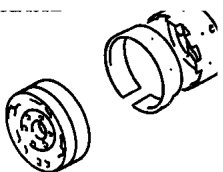
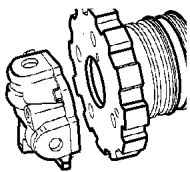
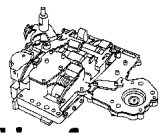
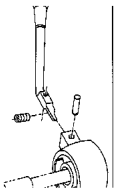
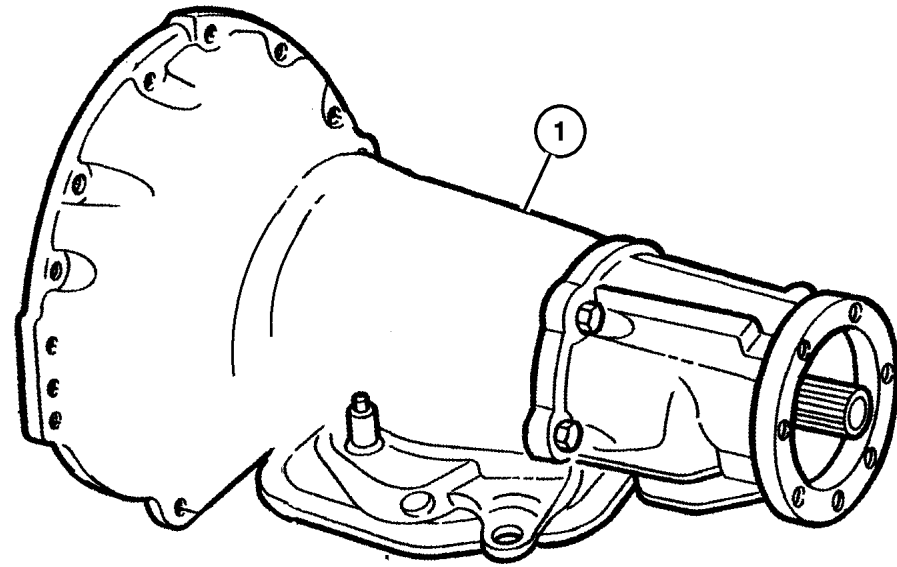


Illustration Title	Group-Fig. No.
Transmission Assembly	
Transmission 32RH (DGG)	Fig. 32RH-110
Case and Extension	
Case and Related Parts 32RH (DGG)	Fig. 32RH-210
Oil Pump	
Oil Pump 32RH (DGG)	Fig. 32RH-310
Gear Train	
Clutch, Front and Rear 32RH (DGG)	Fig. 32RH-410
Output Shaft 32RH (DGG)	Fig. 32RH-420
Bands, Reverse and Kickdown	
Bands 32RH (DGG)	Fig. 32RH-510
Governor	
Governor 32RH (DGG)	Fig. 32RH-610
Valve Body	
Valve Body 32RH (DGG)	Fig. 32RH-710
Servos 32RH (DGG)	Fig. 32RH-720
Parking Sprag 32RH (DGG)	Fig. 32RH-730
Gearshift Controls	
Gearshift Controls 32RH (DGG)	Fig. 32RH-1230

32RH-100 Transmission Assembly 	32RH-200 Case and Extension 	32RH-300 Oil Pump 	32RH-400 Gear Train 
32RH-500 Bands, Reverse and Kickdown 	32RH-600 Governor 	32RH-700 Valve Body 	32RH-1200 Gearshift Controls 

Transmission 32RH (DGG)
Figure 32RH-110

T67-110



ITEM	PART NUMBER	QTY	LINE	SERIES	BODY	ENGINE	TRANS	TRIM	DESCRIPTION
------	-------------	-----	------	--------	------	--------	-------	------	-------------

NOTE; Sales Code

[DGG] = 3 Speed Automatic Transmission [32RH]

1	5015 271AA	1					DGG		TRANSMISSION PACKAGE, 52119833AA(Package Contains 52119833AA Transmission, K4736596 Converter, K1949765 Bolts.)
---	------------	---	--	--	--	--	-----	--	---

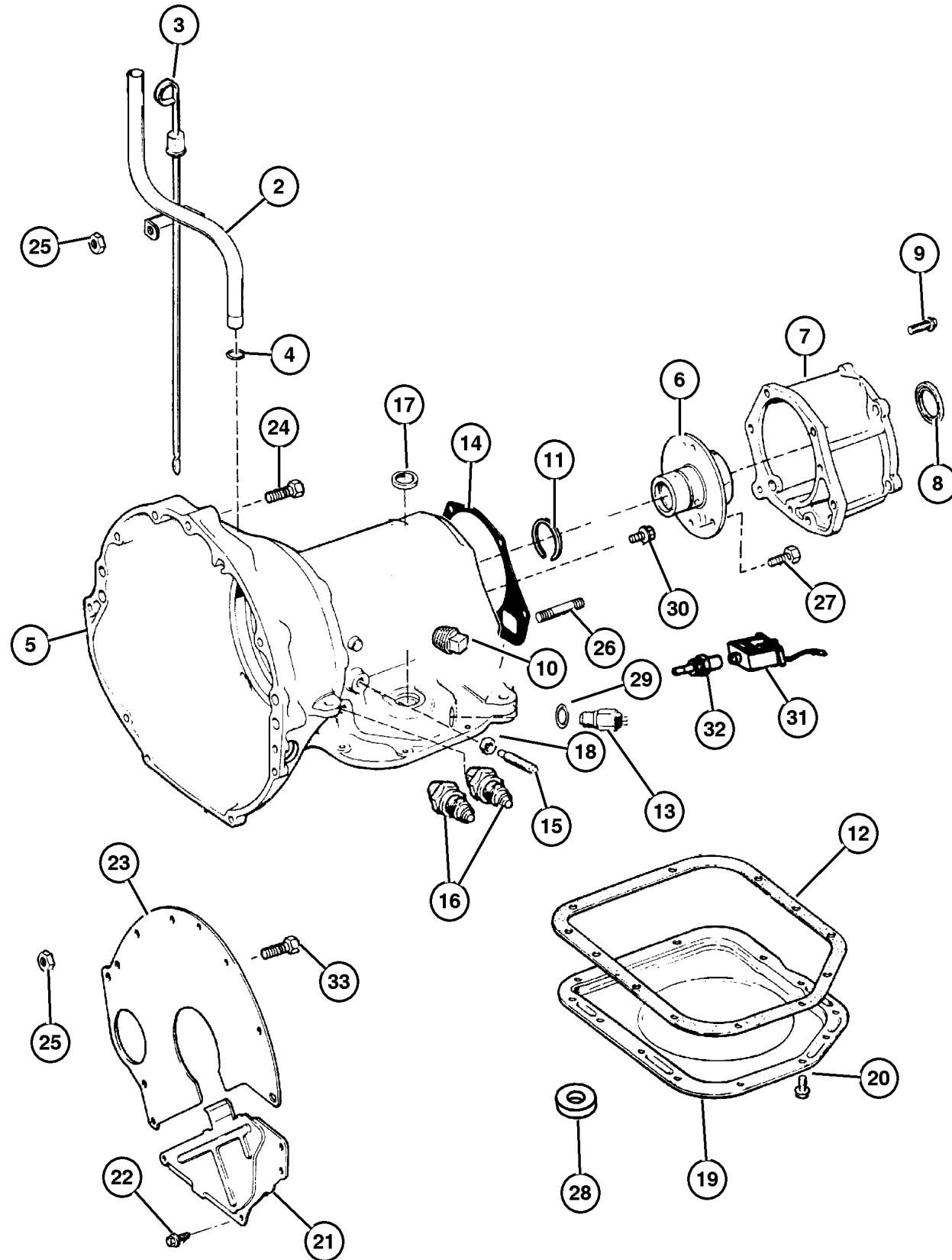
JEEP WRANGLER (TJ)

SERIES	LINE	BODY	ENGINE	TRANSMISSION
H = Sport	J = Wrangler 4WD	77 = 93.4 WB	EPE, EP0 = 2.5L Power Tech	DGG, DGD = 32RH 3 Spd. Auto.
L = SE	U = Wrangler 4WD (RHD)		ERH, ER0 = 4.0L Power Tech	DDQ = 5 Spd. Manual
M = X				DDD = 5 Speed HD Manual
P = Sahara				DG0 = Auto. Trans.
				DBB = Manual Trans.

AR = Use as required - = Non illustrated part # = New this model year

January 26, 2004

Case and Related Parts 32RH (DGG)
Figure 32RH-210



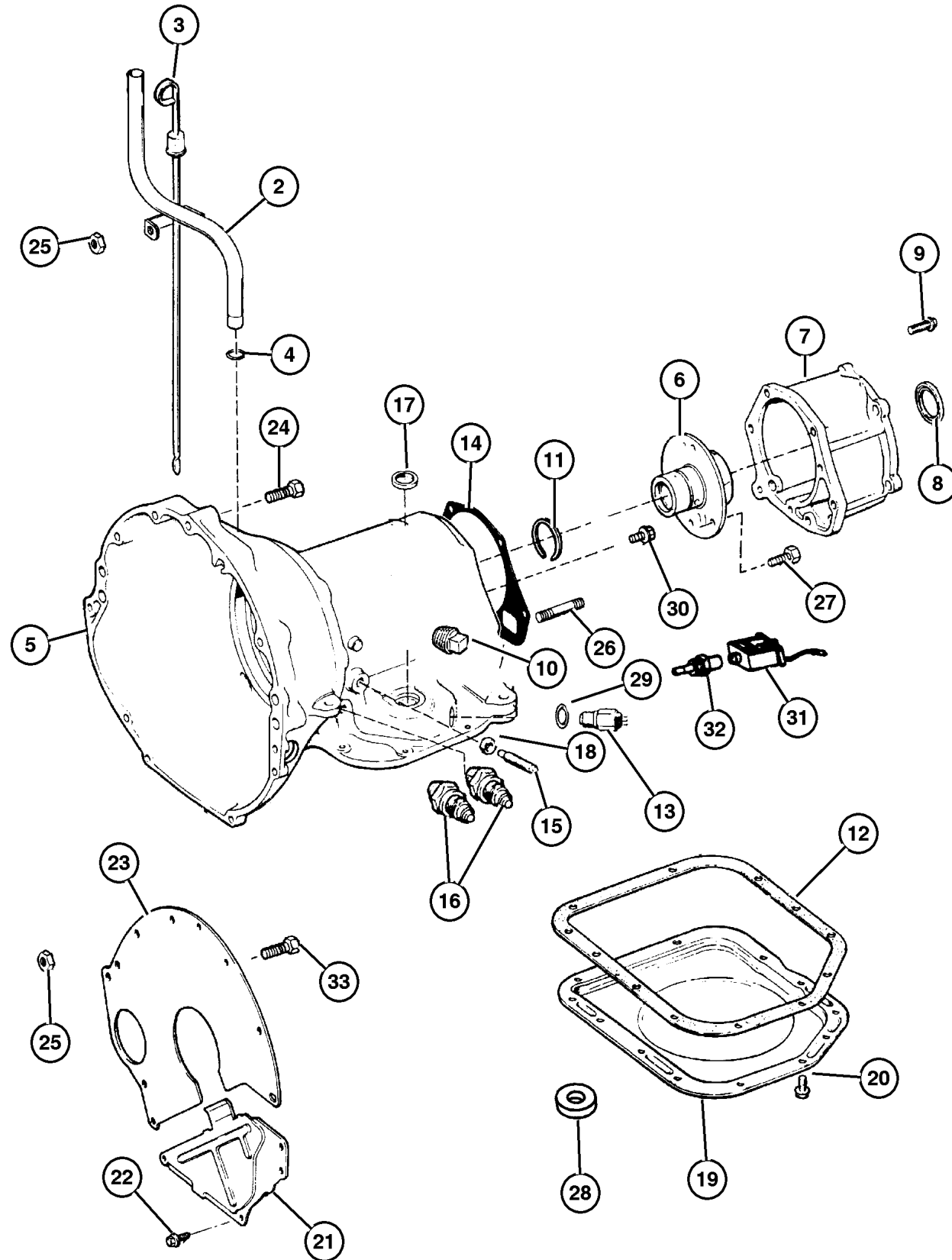
ITEM	PART NUMBER	QTY	LINE	SERIES	BODY	ENGINE	TRANS	TRIM	DESCRIPTION
NOTE; Sales Code									
[DGG] = 3 Speed Automatic Transmission [32RH]									
[DGO] = All Automatic Transmissions									
[EP0] = All 2.5L 4 Cylinder Gas Engines									
[ER0] = All 4.0 L 6 Cylinder Gas Engines									
-1	5072 420AC	1					DGG		SEAL AND GASKET PACKAGE, Transmission
2	52104 243AD	1				ER0	DGG		TUBE, Transmission Oil Filler
3	52104 240AD	1				EP0,	DGD,		INDICATOR, Transmission Fluid
									Level
4	52118 629AB	1				ER0,	DG0		SEAL, Oil Filler Tube
						ER0			
5	5211 8344	1					DGG		CASE, Transmission
6	4431 433	1					DGG		SUPPORT, Output Shaft
7	5211 8076	1					DGG		ADAPTER, Transmission
8	4269 956AB	1					DGG		SEAL, Adapter
9	6030 849	5					DGG		SCREW AND WASHER, Hex Head
									Locking, .375-16x1.375
10	6028 095	1					DGG		PLUG, Pressure Check
11	6033 480	1					DGG		SNAP RING, Reverse Drum
12	4295 875AC	1					DGG		GASKET, Oil Pan
13	56028 181AB	1					DGG		SWITCH, Neutral, Safety, Back Up
14	2466 954	1					DGG		GASKET, Transmission Case
15	6036 141AA	1					DGG		SCREW
16	5202 8629	1					DGG		CONNECTOR, Oil Cooler Tube, .375
									Tube x .25 Thread
17	4505 098	1					DGG		SEAL, Manual Shift Valve, 1.25 OD
18	0124 934	1					DGG		NUT, Hex Jam, .50-20
19	5211 8802	1					DGG		PAN, Transmission Oil
20	4723 548	14					DGG		SCREW AND WASHER, Hex Head,
									.312-18x.625
21	52118 136AB	1				ER0	DGG		COVER, Converter
22	6035 031	3				ER0	DGG		SCREW AND WASHER, Hex Head,
									.312-18x.625
23	J323 7847	1				ER0	DGG		SPACER, Clutch Housing
24	J400 4370	2				ER0	DG0		BOLT AND WASHER, Hex Head,
									.437-14x2.75
25	J021 9422	2				ER0	DG0		NUT, Hex
26	6033 157	1					DGG		STUD, .375-16x2.312
27	6033 479	6					DGG		BOLT, Hex Head, .25-28x1-5/8
28	3681 601	1					DGG		MAGNET, Transmission
29	2408 143	1					DGG		WASHER, Switch

JEEP WRANGLER (TJ)				
SERIES	LINE	BODY	ENGINE	TRANSMISSION
H = Sport	J = Wrangler 4WD	77 = 93.4 WB	EPE, EP0 = 2.5L Power Tech	DGG, DGD = 32RH 3 Spd. Auto.
L = SE	U = Wrangler 4WD (RHD)		ERH, ER0 = 4.0L Power Tech	DDQ = 5 Spd. Manual
M = X				DDD = 5 Speed HD Manual
P = Sahara				DG0 = Auto. Trans.
				DBB = Manual Trans.

AR = Use as required - = Non illustrated part # = New this model year

January 26, 2004

Case and Related Parts 32RH (DGG)
Figure 32RH-210



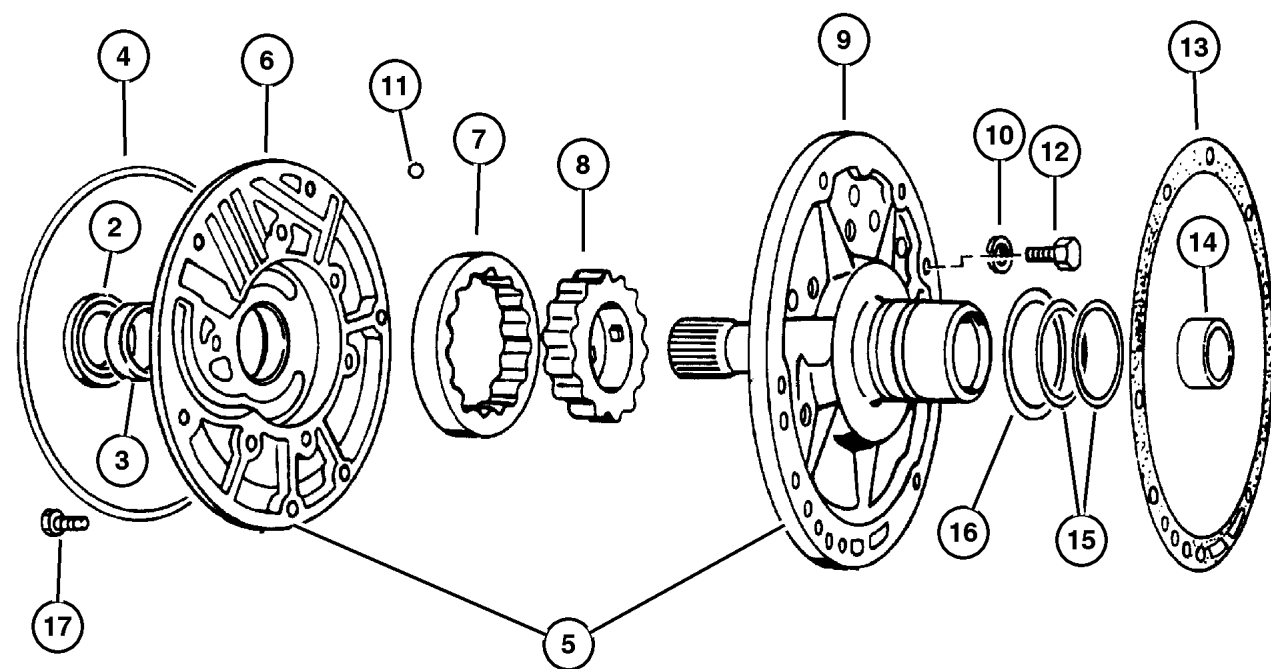
ITEM	PART NUMBER	QTY	LINE	SERIES	BODY	ENGINE	TRANS	TRIM	DESCRIPTION
30	6033 616	5					DGG		SCREW, Hex Flange Head, .25-28x.875
31	5211 8595	1					DGG		SOLENOID, Transmission
32	5603 8235	1					DGG		CONNECTOR, Wiring
33	0153 371	2				ER0	DG0		BOLT, Hex Head, .375-16x2.25

JEEP WRANGLER (TJ)			
SERIES	LINE	BODY	ENGINE
H = Sport	J = Wrangler 4WD	77 = 93.4 WB	EPE, EP0 = 2.5L Power Tech
L = SE	U = Wrangler 4WD (RHD)		ERH, ER0 = 4.0L Power Tech
M = X			
P = Sahara			
			TRANSMISSION
			DGG, DGD = 32RH 3 Spd. Auto.
			DDQ = 5 Spd. Manual
			DDD = 5 Speed HD Manual
			DG0 = Auto. Trans.
			DBB = Manual Trans.

AR = Use as required - = Non illustrated part # = New this model year

January 26, 2004

**Oil Pump 32RH (DGG)
Figure 32RH-310**



ITEM	PART NUMBER	QTY	LINE	SERIES	BODY	ENGINE	TRANS	TRIM	DESCRIPTION
Note; Sales Code									
[DGG] = 3 Speed Automatic Transmission [32RH]									
-1	4713 108AB	1					DGG		GASKET AND SEAL PACKAGE, Transmission Oil Pump
2	4412 475	1					DGG		SEAL, Impeller Hub, 57.25mm OD
3	2466 796	1					DGG		BUSHING, Front Pump
4	2204 709	1					DGG		SEAL, Front Pump Housing
5	4778 552AB	1					DGG		PUMP, Transmission Oil
6									HOUSING, Pump, (NOT SERVICED)
7									(Not Serviced)
8									ROTOR, Oil Pump, (NOT SERVICED) (Not Serviced)
9									ROTOR, Oil Pump, (NOT SERVICED) (Not Serviced)
10									SHAFT, Oil Pump, (NOT SERVICED) (Not Serviced)
11									WASHER, (NOT SERVICED) (Not Serviced)
12	0179 815	6					DGG		BALL, Valve Body Check, (NOT SERVICED) (Not Serviced)
13	5211 8266	1					DGG		SCREW, Hex Head, .312-18x.687
14	4058 635	1					DGG		GASKET, Transmission Oil Pump
15	4471 874	2					DGG		BUSHING, Reaction Shaft
16	4617 786	1					DGG		SEAL, Ring Reaction Support, 2 1/16 O.D.
17	6023 943	6					DGG		THRUST WASHER, Front Clutch
							DGG		SCREW AND WASHER, Hex Flange Head, .312-18x1.375

JEEP WRANGLER (TJ)

SERIES	LINE	BODY	ENGINE	TRANSMISSION
H = Sport	J = Wrangler 4WD	77 = 93.4 WB	EPE, EP0 = 2.5L Power Tech	DGG, DGD = 32RH 3 Spd. Auto.
L = SE	U = Wrangler 4WD (RHD)		ERH, ER0 = 4.0L Power Tech	DDQ = 5 Spd. Manual
M = X				DDD = 5 Speed HD Manual
P = Sahara				DG0 = Auto. Trans.
				DBB = Manual Trans.

AR = Use as required - = Non illustrated part # = New this model year

January 26, 2004

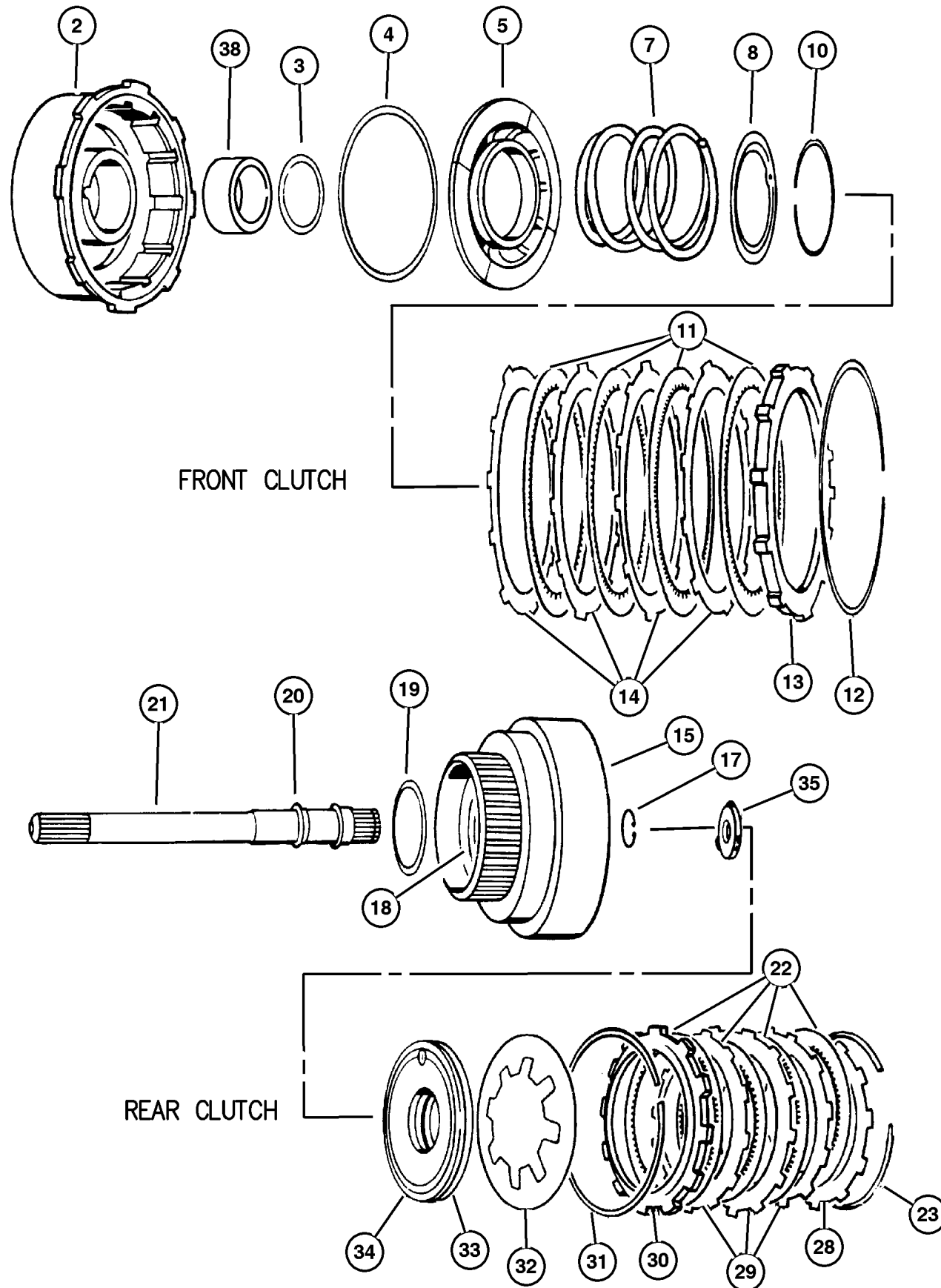
**Clutch, Front and Rear 32RH (DGG)
Figure 32RH-410**

ITEM	PART NUMBER	QTY	LINE	SERIES	BODY	ENGINE	TRANS	TRIM	DESCRIPTION
NOTE; Sales Code									
[DGG] = 3 Speed Automatic Transmission [32RH]									
-1	5252 926AB	1					DGG		SEAL PACKAGE, Transmission Clutch
2	4531 285AB	1					DGG		RETAINER AND BUSHING, Transmission Front Clutch
3	52852 923AA	1					DGG		SEAL, Front Clutch Piston
4	52852 925AA	1					DGG		SEAL, Front Piston Clutch
5	3515 716	1					DGG		PISTON, Clutch
-6	0147 483	1					DGG		CHECK BALL, Dia-.187
7	3515 054	1					DGG		SPRING, Front Clutch
8	4617 516AC	1					DGG		RETAINER, Transmission Front Clutch Piston Spring
-9	0147 483	1					DGG		CHECK BALL, Dia-.187
10	1638 461	2					DGG		SNAP RING
11	4617 362	4					DGG		DISC, Direct Clutch
12	3410 571	1					DGG		SNAP RING
13	4617 176AB	1					DGG		PLATE, Transmission Clutch Reaction
14	1942 403AC	4					DGG		PLATE, Clutch Separator
15	4505 199	1					DGG		RETAINER, Transmission Rear Clutch
-16	0147 483	1					DGG		CHECK BALL, Dia-.187
17	6022 859	1					DGG		SNAP RING, .890625
18	4028 333	1					DGG		SEAL, Rear Clutch, 1.50 ODx.009 Thk
19	4617 786	1					DGG		THRUST WASHER, Front Clutch
20	1401 221AB	1					DGG		SEAL, Input Shaft
21	4505 189	1					DGG		INPUT SHAFT, Transmission
22	4713 880	4					DGG		DISC, Clutch
23	4130 761	1					DGG		SNAP RING
-24	4539 121	1					DGG		SNAP RING, Rear Clutch, .076
-25	4539 123	1					DGG		SNAP RING, Rear Clutch, .095
-26	4539 122	1					DGG		SNAP RING, Rear Clutch, .098
-27	4539 124	1					DGG		SNAP RING, Rear Clutch, .107
28	4617 176AB	1					DGG		PLATE, Transmission Clutch Reaction
29	1942 403AB	3					DGG		PLATE, Clutch Separator
30	2466 281	1					DGG		PLATE, Clutch Pressure
31	2466 283	1					DGG		SPRING, Rear Clutch
32	4728 487	1					DGG		SPRING, Rear Clutch Piston
33	2538 510	1					DGG		SEAL, Rear Clutch Piston

JEEP WRANGLER (TJ)
 SERIES LINE BODY ENGINE TRANSMISSION
 H = Sport J = Wrangler 4WD 77 = 93.4 WB EPE, EP0 = 2.5L Power Tech DGG, DGD = 32RH 3 Spd. Auto.
 L = SE U = Wrangler 4WD (RHD) ERH, ER0 = 4.0L Power Tech DDQ = 5 Spd. Manual
 M = X DDD = 5 Speed HD Manual
 P = Sahara DG0 = Auto. Trans.
 DBB = Manual Trans.

AR = Use as required - = Non illustrated part # = New this model year

January 26, 2004

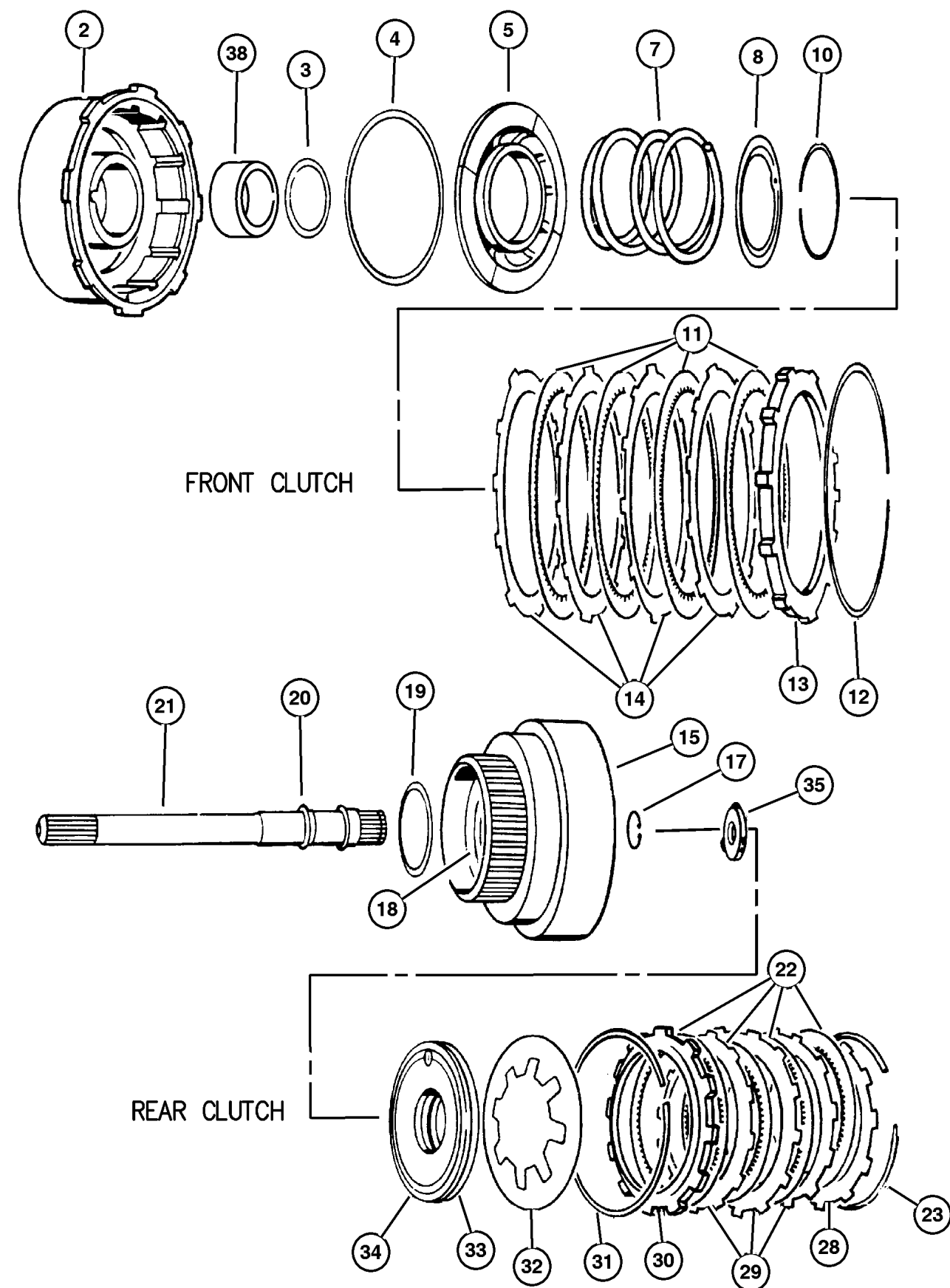


FRONT CLUTCH

REAR CLUTCH

Clutch, Front and Rear 32RH (DGG)
Figure 32RH-410

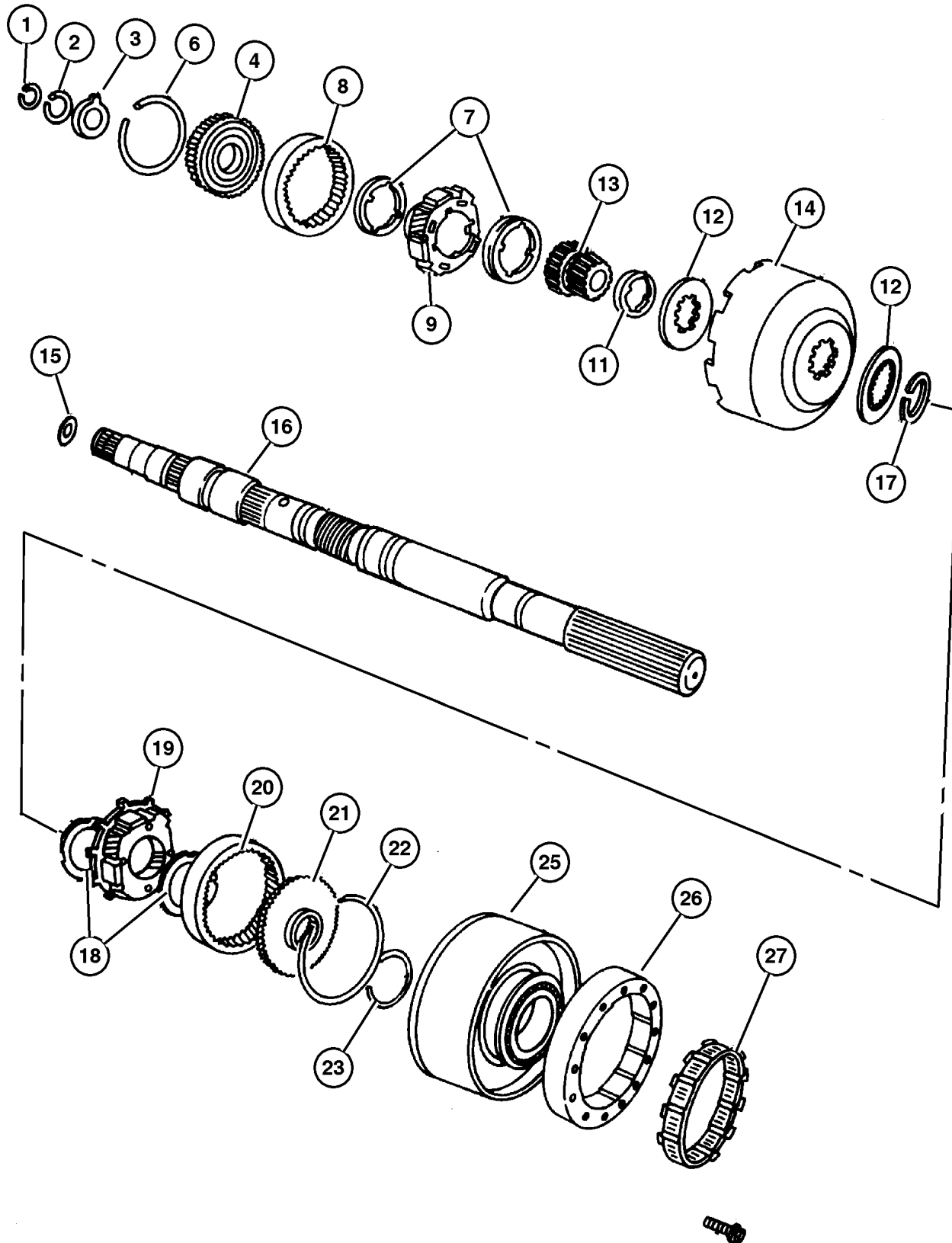
ITEM	PART NUMBER	QTY	LINE	SERIES	BODY	ENGINE	TRANS	TRIM	DESCRIPTION
34	3515 716	1					DGG		PISTON, Clutch
35	4505 185	1					DGG		THRUST WASHER, Output Shaft, Gray .052
-36	4505 186	1					DGG		THRUST WASHER, Output Shaft, Red .068
-37	4505 187	1					DGG		THRUST WASHER, Output Shaft, Green .083
38	4617 157	1					DGG		BUSHING, Front Clutch
-39	4617 159	1					DGG		BUSHING, Rear Clutch



JEEP WRANGLER (TJ)
 SERIES LINE BODY ENGINE TRANSMISSION
 H = Sport J = Wrangler 4WD 77 = 93.4 WB EPE, EP0 = 2.5L Power Tech DGG, DGD = 32RH 3 Spd. Auto.
 L = SE U = Wrangler 4WD (RHD) ERH, ER0 = 4.0L Power Tech DDQ = 5 Spd. Manual
 M = X DDD = 5 Speed HD Manual
 P = Sahara DG0 = Auto. Trans.
 DBB = Manual Trans.

AR = Use as required - = Non illustrated part # = New this model year

**Output Shaft 32RH (DGG)
Figure 32RH-420**



ITEM	PART NUMBER	QTY	LINE	SERIES	BODY	ENGINE	TRANS	TRIM	DESCRIPTION
NOTE; Sales Code									
[DGG] = 3 Speed Automatic Transmission [32RH]									
1	6026 289	1					DGG		SNAP RING, .946 ID
2	6030 576	1					DGG		SNAP RING, Annulus Gear, 1.375 ID
3	3681 969	1					DGG		THRUST WASHER, Annulus Gear
4	4617 774	1					DGG		SUPPORT, Annulus Gear
-5	6030 576	1					DGG		SNAP RING, Annulus Gear, 1.375 ID
6	6035 238	1					DGG		SNAP RING
7	4130 518	2					DGG		THRUST WASHER, Planetary
									Carrier
8	4130 512	1					DGG		GEAR, Front Annulus
9	4130 514	1					DGG		CARRIER, Planetary Pinion
-10	3681 949	8					DGG		THRUST WASHER, Planet Pinion
11	4130 736	1					DGG		SPACER, Sun Gear
12	4471 566	2					DGG		PLATE, Transmission Module
13	4130 685	1					DGG		GEAR, Sun
14	4531 288	1					DGG		SHELL, Sun Gear
15	4505 188	1					DGG		PLATE, Transmission Module
16	4617 320	1					DGG		MAINSHAFT, Transmission
17	1942 439	1					DGG		SNAP RING, Sun Gear Shell
18	3681 935	1					DGG		THRUST WASHER, Planetary
									Carrier
19	4431 438	1					DGG		CARRIER, Planetary Pinion
20	3743 184	1					DGG		GEAR, Rear Annulus
21	3515 501	1					DGG		SUPPORT, Annulus Gear
22	1942 444	1					DGG		SNAP RING
23	6033 480	1					DGG		SNAP RING, Reverse Drum
-24	6033 616	5					DGG		SCREW, Hex Flange Head, .25-28x.875
25	4637 956	1					DGG		DRUM PACKAGE, Transmission
26	4431 690	1					DGG		CAM, Overrunning Clutch
27	4431 432	1					DGG		CLUTCH, Overrunning

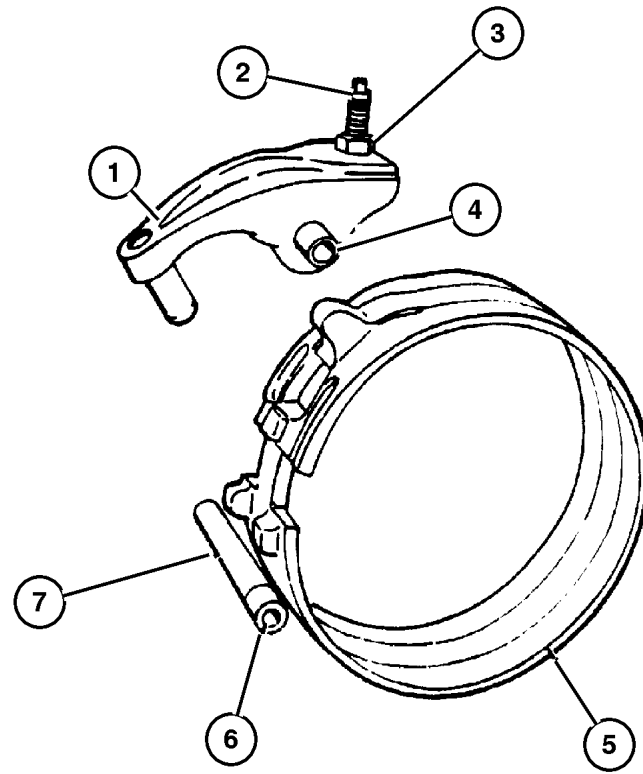
JEEP WRANGLER (TJ)

SERIES	LINE	BODY	ENGINE	TRANSMISSION
H = Sport	J = Wrangler 4WD	77 = 93.4 WB	EPE, EP0 = 2.5L Power Tech	DGG, DGD = 32RH 3 Spd. Auto.
L = SE	U = Wrangler 4WD (RHD)		ERH, ER0 = 4.0L Power Tech	DDQ = 5 Spd. Manual
M = X				DDD = 5 Speed HD Manual
P = Sahara				DG0 = Auto. Trans.
				DBB = Manual Trans.

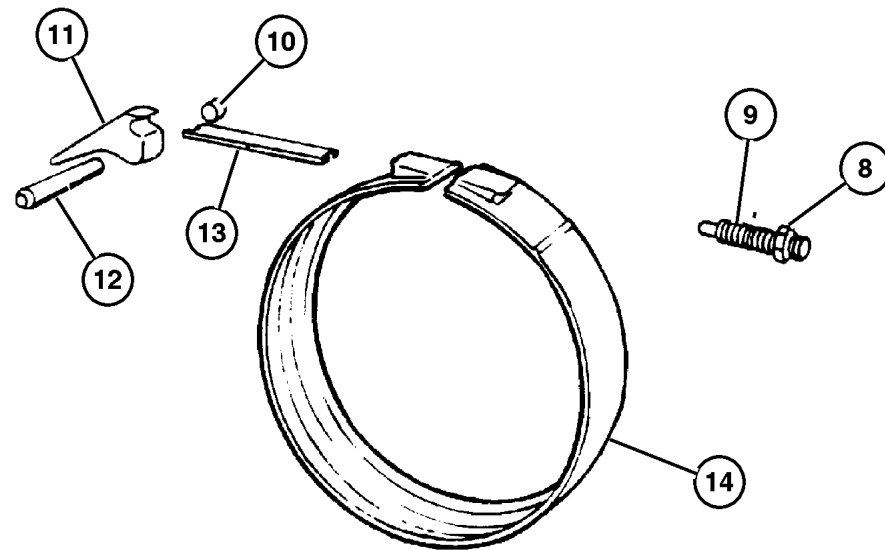
AR = Use as required - = Non illustrated part # = New this model year

January 26, 2004

**Bands 32RH (DGG)
Figure 32RH-510**



REVERSE BAND



KICKDOWN BAND

ITEM	PART NUMBER	QTY	LINE	SERIES	BODY	ENGINE	TRANS	TRIM	DESCRIPTION
NOTE; Sales Code									
[DGG] = 3 Speed Automatic Transmission [32RH]									
1	4202 764AB	1					DGG		LEVER, Reverse Band
2	2538 472	1					DGG		SCREW, Trans Reverse Band Adjusting, .375-24-1.88
3	0114 942	1					DGG		NUT, Hex, .375-24
4	3410 102	1					DGG		SHAFT, Reverse Band
5	4431 406	1					DGG		BAND, Reverse
6	6030 657	1					DGG		O RING, Steering Gear
7	3410 102	1					DGG		SHAFT, Reverse Band
8	0124 934	1					DGG		NUT, Hex Jam, .50-20
9	6036 141AA	1					DGG		SCREW
10									PLUG, (NOT SERVICED) (Not Serviced)
11	2124 666	1					DGG		LEVER, Kickdown
12	4531 181	1					DGG		SHAFT, Band Lever
13	3515 084	1					DGG		STRUT, Kickdown Band
14	4617 849AB	1					DGG		BAND, Kickdown

JEEP WRANGLER (TJ)

SERIES	LINE	BODY	ENGINE	TRANSMISSION
H = Sport	J = Wrangler 4WD	77 = 93.4 WB	EPE, EP0 = 2.5L Power Tech	DGG, DGD = 32RH 3 Spd. Auto.
L = SE	U = Wrangler 4WD (RHD)		ERH, ER0 = 4.0L Power Tech	DDQ = 5 Spd. Manual
M = X				DDD = 5 Speed HD Manual
P = Sahara				DG0 = Auto. Trans.
				DBB = Manual Trans.

AR = Use as required - = Non illustrated part # = New this model year

January 26, 2004

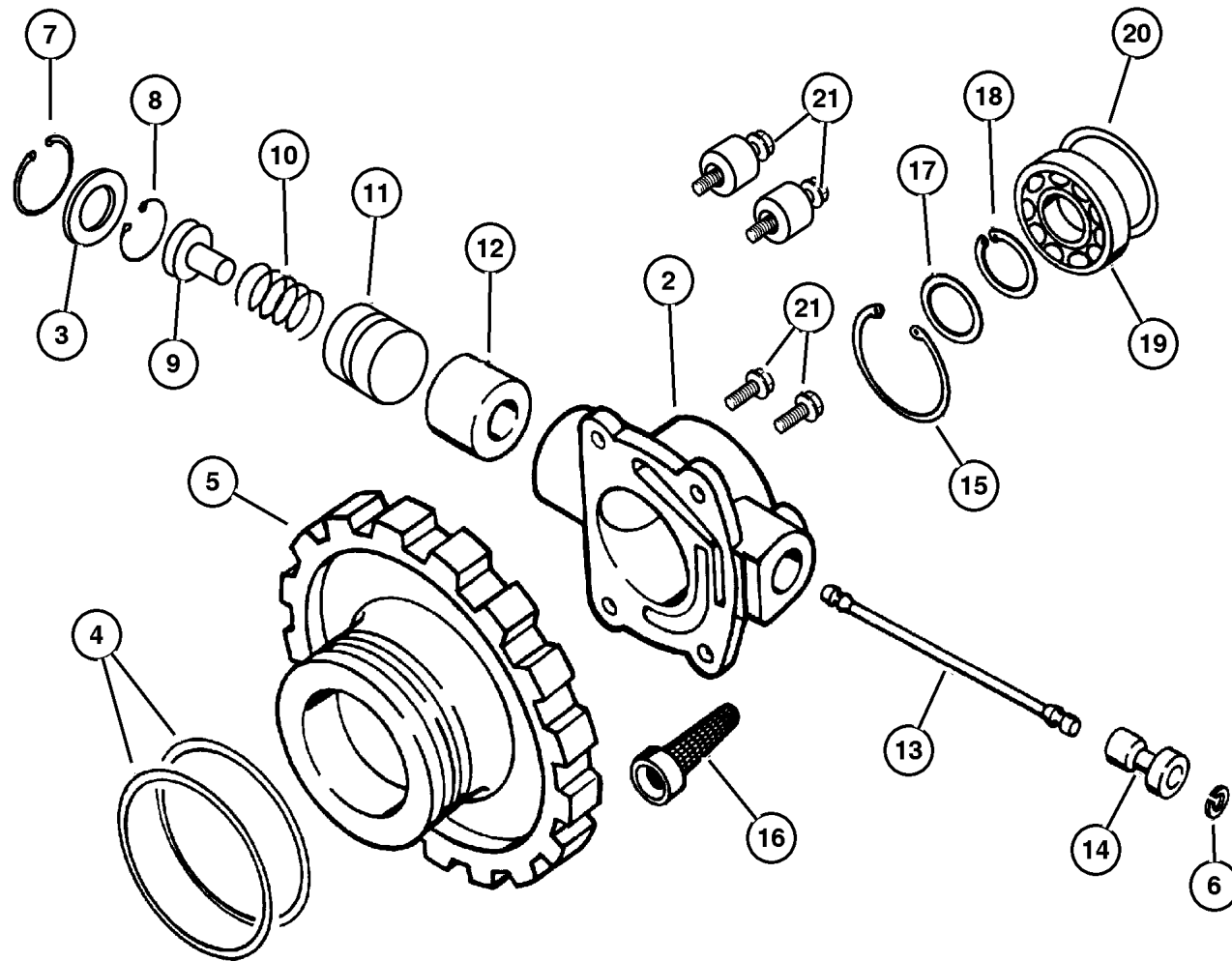
**Governor 32RH (DGG)
Figure 32RH-610**

ITEM	PART NUMBER	QTY	LINE	SERIES	BODY	ENGINE	TRANS	TRIM	DESCRIPTION
------	-------------	-----	------	--------	------	--------	-------	------	-------------

NOTE; Sales Code

[DGG] = 3 Speed Automatic Transmission [32RH]

-1	4728 460	1					DGG		BODY PACKAGE, Governor
2									BODY, Governor, (NOT SERVICED) (Not Serviced)
3									RETAINER, (NOT SERVICED) (Not Serviced)
4	1942 109	1					DGG		SEAL, Governor
5	3743 518	1					DGG		SUPPORT, Governor
6	1638 461	2					DGG		SNAP RING
7	6031 392	1					DGG		SNAP RING, Brake Master Cylinder
8	6034 723	1					DGG		SNAP RING, Governor, .675 x .025
9	4617 883	1					DGG		WEIGHT KIT, Transmission
10									Governor SPRING, Governor Valve, . . , (NOT SERVICED) (Not Serviced)
11									WEIGHT, Governor, (NOT SERVICED) (Not Serviced)
12									WEIGHT, Governor, (NOT SERVICED) (Not Serviced)
13	1556 082	1					DGG		SHAFT, Governor
14	4617 064	1					DGG		VALVE, Governor
15	6027 271	1					DGG		SNAP RING, Governor, 1.156
16	3743 519	1					DGG		FILTER, Transmission Governor
17	4617 799	1					DGG		SPACER, Output Shaft
18	6025 668	1					DGG		SNAP RING, 1.150" Free Diameter
19	4130 537	1					DGG		BEARING, Output Shaft
20	6032 739	1					DGG		O RING, Output Shaft Bearing, Transmission
21	6031 613	4					DGG		BOLT, Hex Head, .25-20x.68
-22	4883 956AC	1					DGG		GASKET AND SEAL PACKAGE, Governor



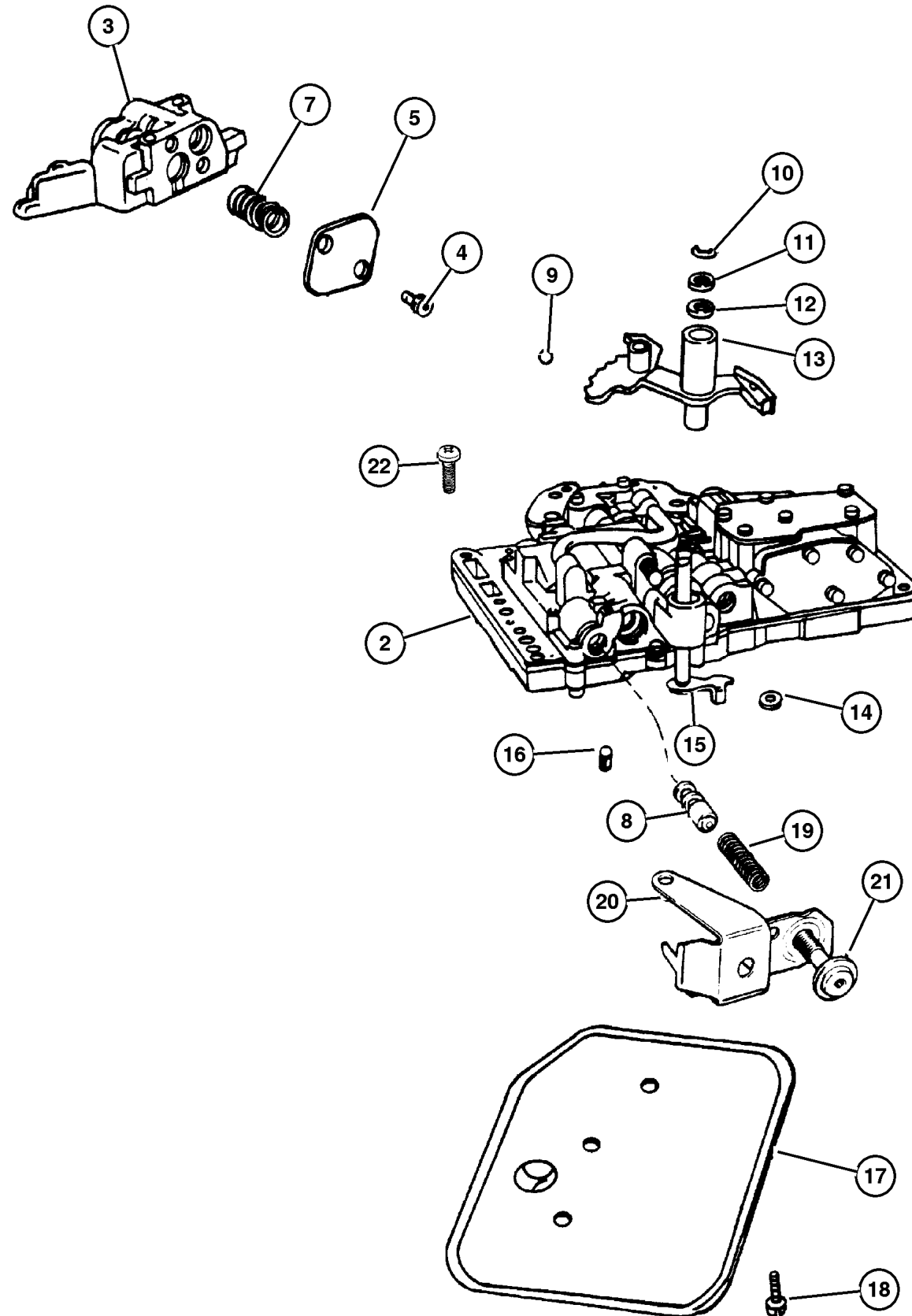
JEEP WRANGLER (TJ)

SERIES	LINE	BODY	ENGINE	TRANSMISSION
H = Sport	J = Wrangler 4WD	77 = 93.4 WB	EPE, EP0 = 2.5L Power Tech	DGG, DGD = 32RH 3 Spd. Auto.
L = SE	U = Wrangler 4WD (RHD)		ERH, ER0 = 4.0L Power Tech	DDQ = 5 Spd. Manual
M = X				DDD = 5 Speed HD Manual
P = Sahara				DG0 = Auto. Trans.
				DBB = Manual Trans.

AR = Use as required - = Non illustrated part # = New this model year

January 26, 2004

**Valve Body 32RH (DGG)
Figure 32RH-710**



ITEM	PART NUMBER	QTY	LINE	SERIES	BODY	ENGINE	TRANS	TRIM	DESCRIPTION
------	-------------	-----	------	--------	------	--------	-------	------	-------------

NOTE; Sales Code

[DGG] = 3 Speed Automatic Transmission [32RH]

[DGO] = All Automatic Transmissions

[EP0] = All 2.5L 4 Cylinder Gas Engines

[ER0] = All 4.0 L 6 Cylinder Gas Engines

-1	5072 406AA	1					DGG		GASKET AND SEAL PACKAGE, Valve Body
2	5211 8617	1					DGG		BODY, Transfer Plate
3									VALVE, Valve Body, (NOT SERVICED) (Not Serviced)
4									SCREW, (NOT SERVICED) (Not Serviced)
5									PLATE, (NOT SERVICED) (Not Serviced)
-6									SCREW, (NOT SERVICED) (Not Serviced)
7									SPRING, Lock Up Valve, (NOT SERVICED) (Not Serviced)
8	4505 036	1					DGG		VALVE, Trans Lockup Switch
9	0147 488	1					DGG		BALL, Manual Lever Detent, .343 Diameter
10	6035 208	2					DGG		SNAP RING
11	2538 062	1					DGG		WASHER, Manual Valve Lever
12	2466 548	1					DGG		SEAL, Valve Lever Shift
13	4617 439	1					DGG		LEVER, Manual Valve
14	4505 098	1					DGG		SEAL, Manual Shift Valve, 1.25 OD
15	52078 723AB	1				EP0, ER0	DGO		LEVER, Throttle Valve
16	3878 313	1					DGG		SCREEN, Transmission Regulator Valve
17	3515 996	1					DGG		FILTER, Valve Body
18	6033 826	3					DGG		SCREW AND WASHER, Oil Filter Mounting, Fillester Head .190-24x2.500
19	4130 492	1					DGG		SPRING, Switch Valve
20									BRACKET, (NOT SERVICED) (Not Serviced)
21	6030 609	1					DGG		SCREW, Cap Head Lock, .312-24x1.25
22									SCREW, .190-24 x 1" , (NOT SERVICED) (Not Serviced)

JEEP WRANGLER (TJ)

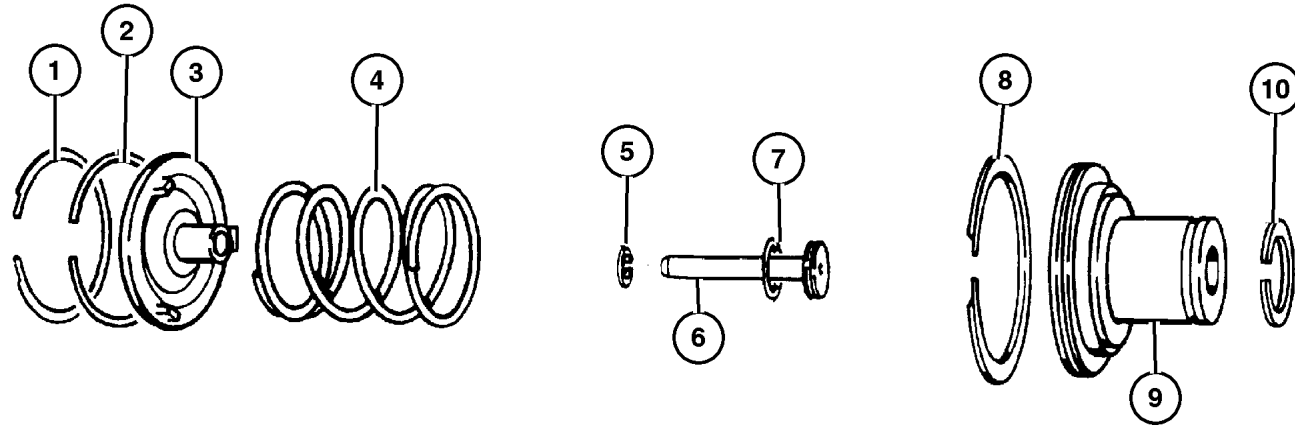
SERIES	LINE	BODY	ENGINE	TRANSMISSION
H = Sport	J = Wrangler 4WD	77 = 93.4 WB	EPE, EP0 = 2.5L Power Tech	DGG, DGD = 32RH 3 Spd. Auto.
L = SE	U = Wrangler 4WD (RHD)		ERH, ER0 = 4.0L Power Tech	DDQ = 5 Spd. Manual
M = X				DDD = 5 Speed HD Manual
P = Sahara				DG0 = Auto. Trans.
				DBB = Manual Trans.

AR = Use as required - = Non illustrated part # = New this model year

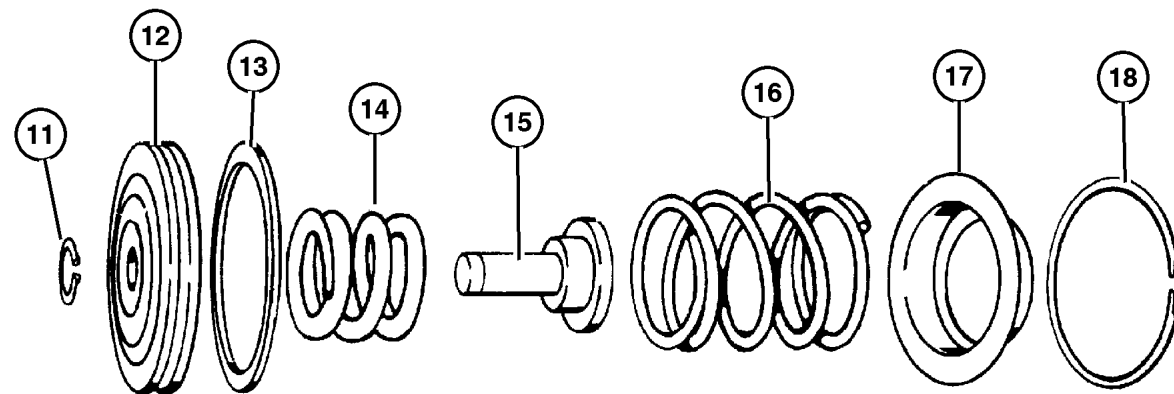
January 26, 2004

Servos 32RH (DGG)
Figure 32RH-720

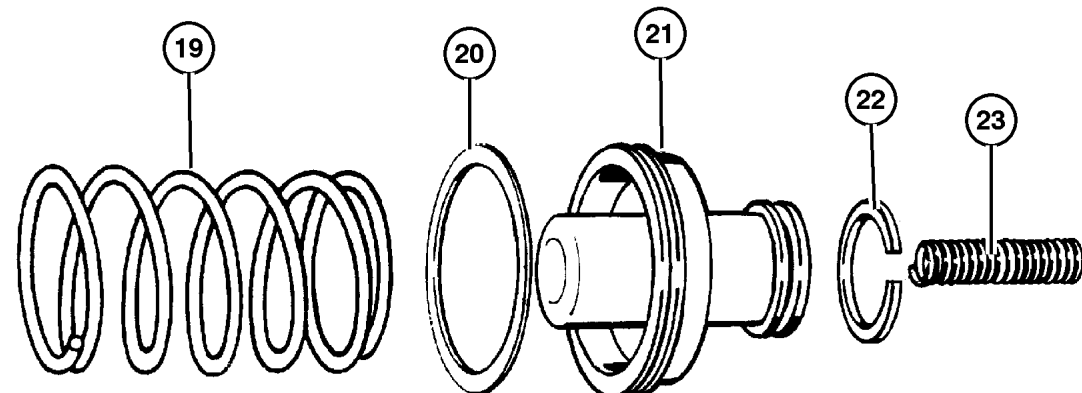
ITEM	PART NUMBER	QTY	LINE	SERIES	BODY	ENGINE	TRANS	TRIM	DESCRIPTION
NOTE; Sales Code									
[DGG] = 3 Speed Automatic Transmission [32RH]									
1	6028 863	1					DGG		SNAP RING, Kickdown, 2.377
2	4295 966	1					DGG		SEAL, Servo Guide
3	3410 332	1					DGG		GUIDE, Kickdown Servo
4	4531 119	1					DGG		SPRING, Kickdown Servo Piston
5	6031 392	1					DGG		SNAP RING, Brake Master Cylinder
6	4058 780	1					DGG		ROD, Kickdown Servo Piston
7	6028 864	1					DGG		O RING, Kick Down Servo
8	4295 966	1					DGG		SEAL, Servo Guide
9	4058 777	1					DGG		PISTON, Kickdown Servo
10	3743 033	1					DGG		SEAL, Kickdown Servo
11	6027 153	1					DGG		SNAP RING, .435 ID
12	5211 8744	1					DGG		PISTON, Reverse Servo
13	4202 864	1					DGG		SEAL, Reverse Servo Piston
14	2801 274	1					DGG		SPRING, Reverse Servo Piston
15	52118 740AB	1					DGG		PLUG, Reverse Servo Piston
16	2801 274	1					DGG		SPRING, Reverse Servo Piston
17	2464 463	1					DGG		RETAINER, Transmission Rear Clutch
18	2464 464	1					DGG		SNAP RING
19	3515 114	1					DGG		SPRING, Accumulator
20	3743 013	1					DGG		SEAL, Piston Accumulator
21	3743 650	1					DGG		PISTON, Accumulator
22	3743 010	1					DGG		SEAL, Piston Accumulator
23	3515 114	1					DGG		SPRING, Accumulator



KICKDOWN SERVO



LOW AND REVERSE SERVO



JEEP WRANGLER (TJ)

SERIES	LINE	BODY	ENGINE	TRANSMISSION
H = Sport	J = Wrangler 4WD	77 = 93.4 WB	EPE, EP0 = 2.5L Power Tech	DGG, DGD = 32RH 3 Spd. Auto.
L = SE	U = Wrangler 4WD (RHD)		ERH, ER0 = 4.0L Power Tech	DDQ = 5 Spd. Manual
M = X				DDD = 5 Speed HD Manual
P = Sahara				DG0 = Auto. Trans.
				DBB = Manual Trans.

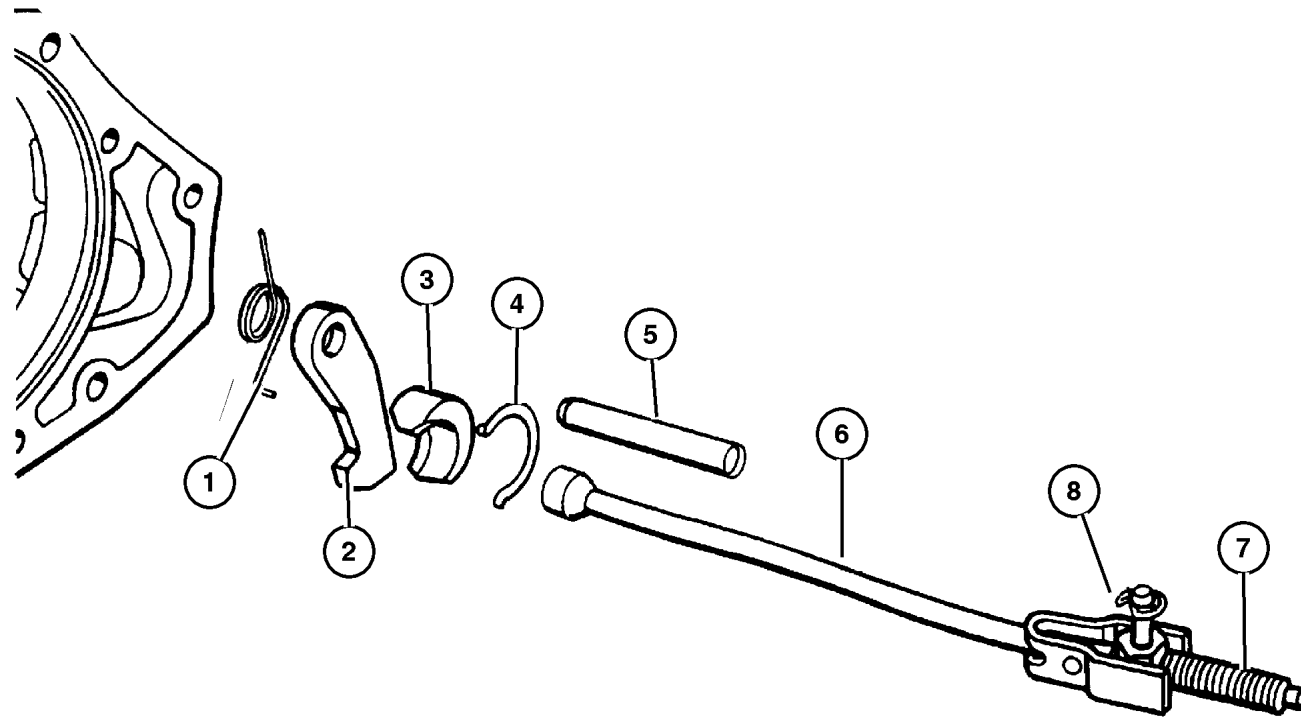
**Parking Sprag 32RH (DGG)
Figure 32RH-730**

ITEM	PART NUMBER	QTY	LINE	SERIES	BODY	ENGINE	TRANS	TRIM	DESCRIPTION
------	-------------	-----	------	--------	------	--------	-------	------	-------------

NOTE; Sales Code

[DGG] = 3 Speed Automatic Transmission [32RH]

1	2466 909	1					DGG		SPRING, Parking Sprag
2	4471 415	1					DGG		SPRAG, Transmission Parking
3	2538 042	1					DGG		PLUG, Parking Sprag
4	2538 034	1					DGG		SNAP RING, Transmission
5	2466 892	1					DGG		SHAFT, Parking Sprag
6	2466 906	1					DGG		ROD, Parking Sprag
7									SPRING, (NOT SERVICED) (Not Serviced)
8	6035 256	1					DGG		SNAP RING, Rod



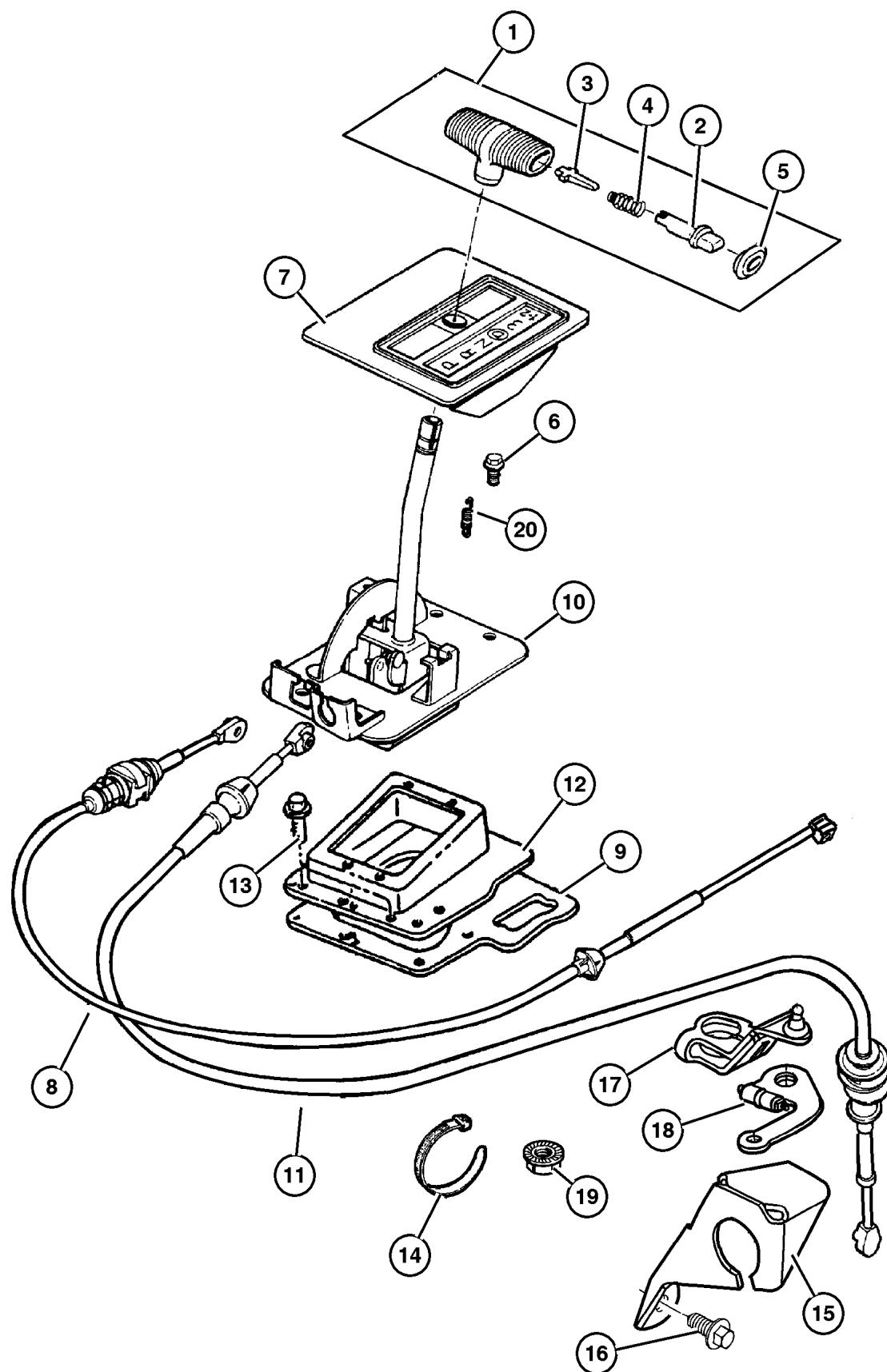
JEEP WRANGLER (TJ)

SERIES	LINE	BODY	ENGINE	TRANSMISSION
H = Sport	J = Wrangler 4WD	77 = 93.4 WB	EPE, EP0 = 2.5L Power Tech	DGG, DGD = 32RH 3 Spd. Auto.
L = SE	U = Wrangler 4WD (RHD)		ERH, ER0 = 4.0L Power Tech	DDQ = 5 Spd. Manual
M = X				DDD = 5 Speed HD Manual
P = Sahara				DG0 = Auto. Trans.
				DBB = Manual Trans.

AR = Use as required - = Non illustrated part # = New this model year

January 26, 2004

**Gearshift Controls 32RH (DGG)
Figure 32RH-1230**



ITEM	PART NUMBER	QTY	LINE	SERIES	BODY	ENGINE	TRANS	TRIM	DESCRIPTION
NOTE; Sales Code									
[DG0] = All Automatic Transmissions									
[EP0] = All 2.5L 4 Cylinder Gas Engines									
[ER0] = All 4.0 L 6 Cylinder Gas Engines									
1	5210 4028	1					DG0		HANDLE, Gearshift
2	5300 0211	1					DG0		BUTTON, Gearshift Knob
3	5300 0865	1					DG0		LEVER, Gearshift
4	5300 0866	1					DG0		SPRING, Button Return
5	5207 7561	1					DG0		CAP, Gearshift Handle Button
6	6501 648	4					DG0		SCREW, Hex Flange Head, M8x1.25x25.00
7	55115 570AB	1	J				DG0		BEZEL AND DIAL, Gearshift Lever
8	5210 4144	1					DG0		CABLE, Park Interlock
9									SEAL, (NOT SERVICED) (Not Serviced)
10	52078 551AB	1	J				DG0		HOUSING, Shift Lever
11	5210 4142	1					DG0		CABLE, Shift
12	5300 0704	1					DG0		COVER, Gearshift
13	J400 1701	2	U				DBB		SCREW, Hex Self Tapping, .19-16x.50
14	4641 780	1							STRAP, Tie
15	5207 8255	1					DGD, DGG		BRACKET, Shift Cable
16									BOLT, (NOT SERVICED) (Not Serviced)
17	5210 4058	1					DGD, DGG		LEVER, Manual Control
18	52078 723AB	1				EP0, ER0	DG0		LEVER, Throttle Valve
19	6028 114	1					DG0		NUT, Hex, .437-14
20	5300 3350	1	J				DG0		SPRING, Pawl Return

JEEP WRANGLER (TJ)

SERIES	LINE	BODY	ENGINE	TRANSMISSION
H = Sport	J = Wrangler 4WD	77 = 93.4 WB	EPE, EP0 = 2.5L Power Tech	DGG, DGD = 32RH 3 Spd. Auto.
L = SE	U = Wrangler 4WD (RHD)		ERH, ER0 = 4.0L Power Tech	DDQ = 5 Spd. Manual
M = X				DDD = 5 Speed HD Manual
P = Sahara				DG0 = Auto. Trans.
				DBB = Manual Trans.

AR = Use as required - = Non illustrated part # = New this model year

January 26, 2004

Group – 3550

Manual Transmission 5 Speed

GROUP 3550 - Manual Transmission 5 Speed

Illustration Title

Group-Fig. No.

Transmission Assembly

Transmission (DDD) Fig. 3550-110

Case and Extension

Case and Extension (DDD) Fig. 3550-210

Gear Train

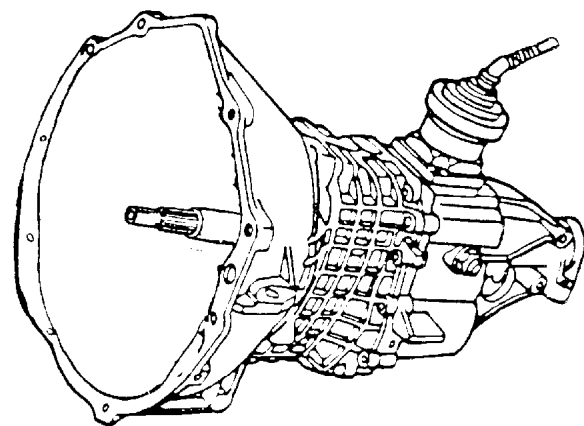
Gear Train (DDD) Fig. 3550-410

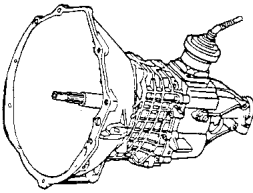
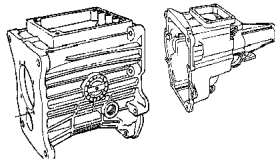
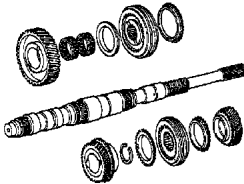
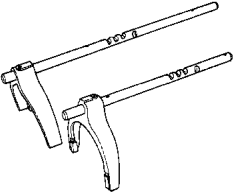

Fork and Rails

Fork and Rails (DDD) Fig. 3550-910

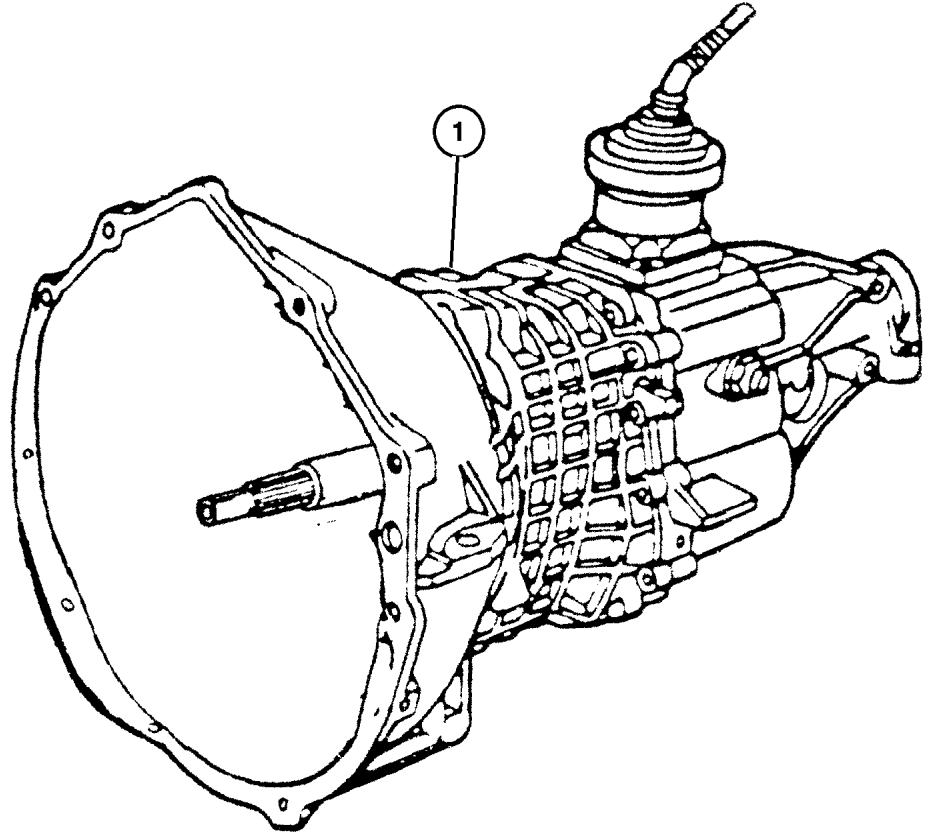
Gearshift Controls

Gearshift Controls (DDD) Fig. 3550-1210



<p>3550-100 Transmission Assembly</p> 	<p>3550-200 Case and Extension</p> 	<p>3550-400 Gear Train</p> 	<p>3550-900 Fork and Rails</p> 
<p>3550-1200 Gearshift Controls</p> 			

Transmission (DDD)
Figure 3550-110



ITEM	PART NUMBER	QTY	LINE	SERIES	BODY	ENGINE	TRANS	TRIM	DESCRIPTION
------	-------------	-----	------	--------	------	--------	-------	------	-------------

NOTE; Sales Code

[DDD] = 5 Speed Heavy Duty Manual Transmission

1	52104 388AC	1				ER0	DDD		TRANSMISSION, 5 Speed
---	-------------	---	--	--	--	-----	-----	--	-----------------------

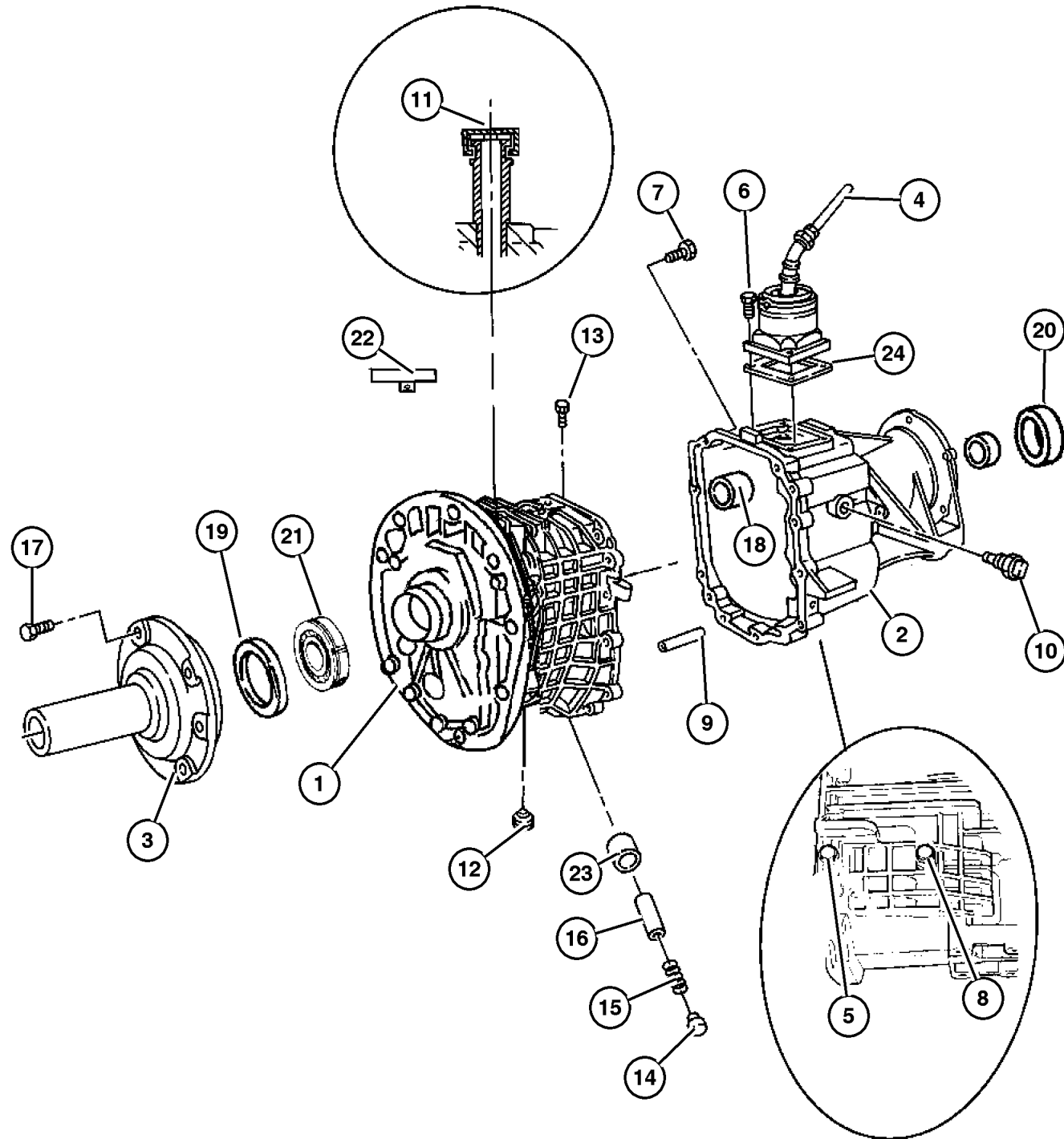
JEEP WRANGLER (TJ)

SERIES	LINE	BODY	ENGINE	TRANSMISSION
H = Sport	J = Wrangler 4WD	77 = 93.4 WB	EPE, EP0 = 2.5L Power Tech	DGG, DGD = 32RH 3 Spd. Auto.
L = SE	U = Wrangler 4WD (RHD)		ERH, ER0 = 4.0L Power Tech	DDQ = 5 Spd. Manual
M = X				DDD = 5 Speed HD Manual
P = Sahara				DG0 = Auto. Trans.
				DBB = Manual Trans.

AR = Use as required - = Non illustrated part # = New this model year

January 26, 2004

Case and Extension (DDD)
Figure 3550-210



ITEM	PART NUMBER	QTY	LINE	SERIES	BODY	ENGINE	TRANS	TRIM	DESCRIPTION
NOTE; Sales Code									
[DDD] = 5 Speed Heavy Duty Manual Transmission									
[ER0] = All 4.0 L 6 Cylinder Gas Engines									
1	5066 645AA	1				ER0	DDD		CASE, Transmission
2	5015 948AA	1				ER0	DDD		CASE, Transmission Rear
3	5013 306AA	1				ER0	DDD		RETAINER, Shaft
4	5015 954AA	1				ER0	DDD		LEVER, Gearshift
5	4741 313	1				ER0	DDD		BOLT, M8-1.25x70
6	4741 144	4				ER0	DDD		BOLT, Hex Head
7									BOLT, Hex Head, M8x1.25x50, (NOT SERVICED) (Not Serviced)
8	4741 115	3				ER0	DDD		BOLT, Hex
9	4741 122	2				ER0	DDD		PIN, Locating
10	5013 336AA	1				ER0	DDD		SWITCH, Back Up Lamp
11	5015 945AA	1				ER0	DDD		VENT, Transmission
12	4882 280	1				ER0	DDD		PLUG, Oil Fill
13	5013 321AA	1				ER0	DDD		PIN, Detent
14	4741 128	1				ER0	DDD		CAP, Detent
15	4773 182	1				ER0	DDD		SPRING, Shift Detent
16	5015 949AA	1				ER0	DDD		PLUNGER
17	4741 300	6				ER0	DDD		BOLT, Hex Head, M6x1.00x25
18	4741 112	1				ER0	DDD		BEARING, Ball
19	4741 296	1				ER0	DDD		SEAL, Input Shaft
20	4741 118	1				ER0	DDD		SEAL, Output Shaft
21	4874 174	1				ER0	DDD		BEARING, Input Shaft
22	5015 945AA	1				ER0	DDD		VENT, Transmission
23	5012 337AA	1				ER0	DDD		BUSHING, Transmission
24	4886 153AA	1				ER0	DDD		SEAL, Shift Lever

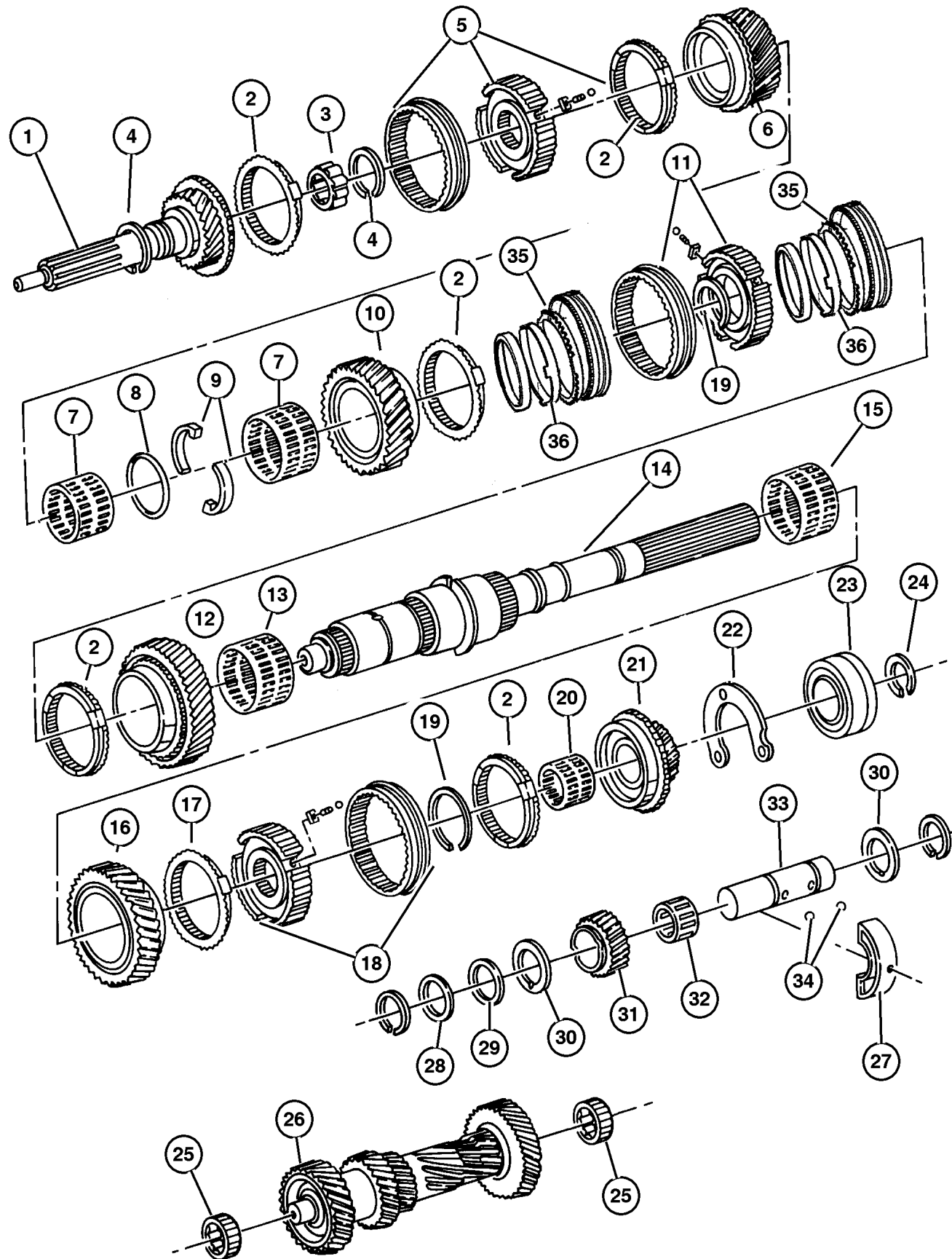
JEEP WRANGLER (TJ)

SERIES	LINE	BODY	ENGINE	TRANSMISSION
H = Sport	J = Wrangler 4WD	77 = 93.4 WB	EPE, EP0 = 2.5L Power Tech	DGG, DGD = 32RH 3 Spd. Auto.
L = SE	U = Wrangler 4WD (RHD)		ERH, ER0 = 4.0L Power Tech	DDQ = 5 Spd. Manual
M = X				DDD = 5 Speed HD Manual
P = Sahara				DG0 = Auto. Trans.
				DBB = Manual Trans.

AR = Use as required - = Non illustrated part # = New this model year

January 26, 2004

**Gear Train (DDD)
Figure 3550-410**

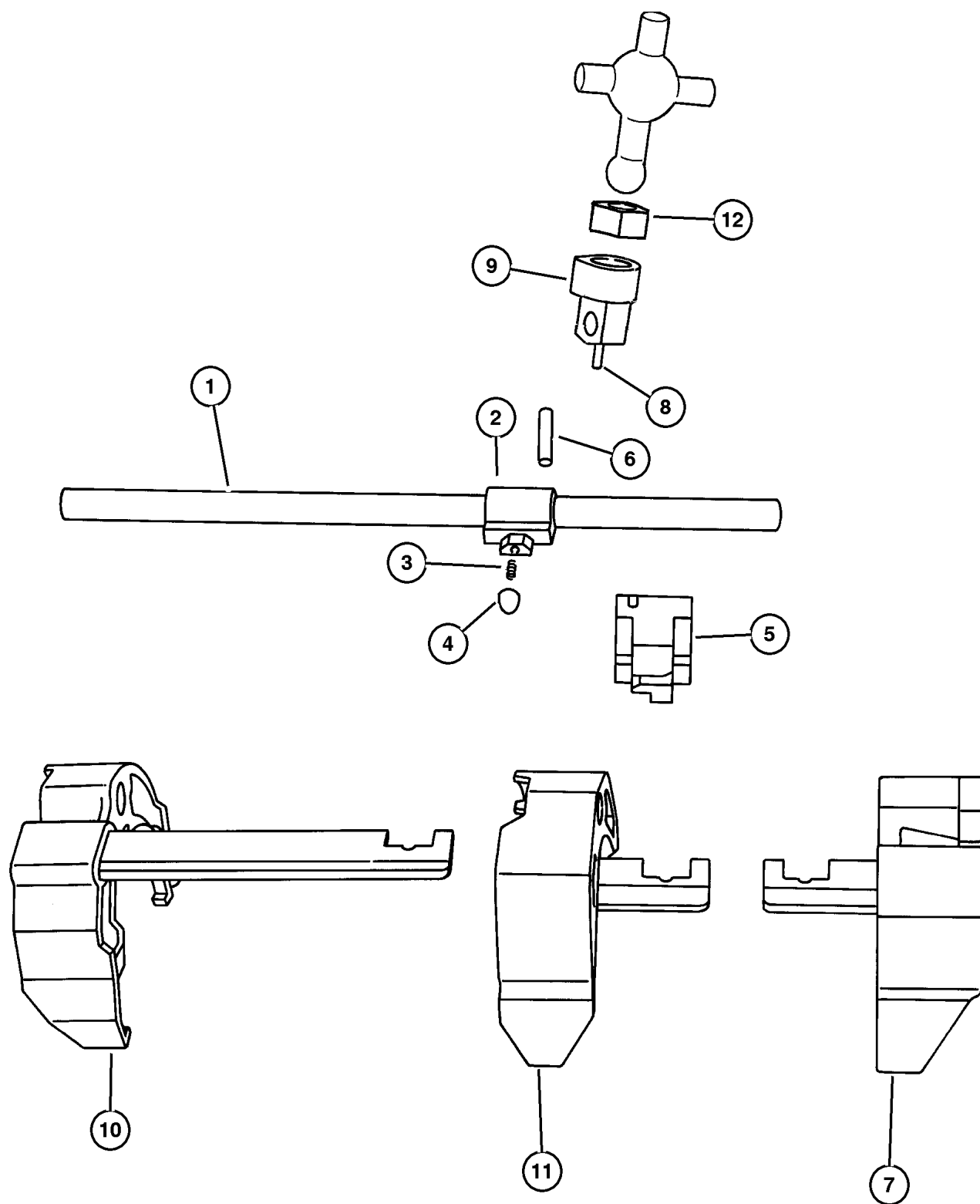


ITEM	PART NUMBER	QTY	LINE	SERIES	BODY	ENGINE	TRANS	TRIM	DESCRIPTION
NOTE; Sales Code									
[DDD] = 5 Speed Heavy Duty Manual Transmission									
[ER0] = All 4.0 L 6 Cylinder Gas Engines									
1	5019 723AA	1				ER0	DDD		SHAFT, Input
2	4741 277	3				ER0	DDD		STOP RING, Synchronizer
3	4741 878	1				ER0	DDD		NEEDLE BEARING, Input Shaft
4	4741 266	2				ER0	DDD		SNAP RING, Output Shaft Bearing
5	4741 293AB	1				ER0	DDD		SYNCHRONIZER, Third and Fourth
6	4883 718AB	1				ER0	DDD		GEAR, Third
7	5003 039AA	1				ER0	DDD		NEEDLE BEARING, Second Gear
8	4897 922AA	1				ER0	DDD		SNAP RING
9	5019 721AA	2				ER0	DDD		WASHER, Output Shaft
10	4874 358AB	1				ER0	DDD		GEAR, Second
11	4874 356AB	1				ER0	DDD		SYNCHRONIZER, First and Second
12	4874 355AB	1				ER0	DDD		GEAR, First
13	4741 871	1				ER0	DDD		NEEDLE BEARING, Transmission
14	4874 309	1				ER0	DDD		SHAFT, Output
15	4741 871	1				ER0	DDD		NEEDLE BEARING, Transmission
16	5019 029AA	1				ER0	DDD		GEAR, Reverse
17	4741 285	1				ER0	DDD		STOP RING, Synchronizer
18	4741 278AB	1				ER0	DDD		SYNCHRONIZER, Fifth And Reverse
19	4269 592	1					DGD		RING, Transmission
20	4741 273	1				ER0	DDD		BEARING, Needle
21	5069 040AA	1				ER0	DDD		GEAR, Fifth
22	4741 114	1				ER0	DDD		RETAINER, Transmission Output Shaft Bearing
23	4741 866	1				ER0	DDD		BEARING, Output Shaft
24	4741 266	2				ER0	DDD		SNAP RING, Output Shaft Bearing
25	5066 646AA	2				ER0	DDD		BEARING, Countershaft
26	5066 650AA	1				ER0	DDD		SHAFT, Counter
27	4741 312	1				ER0	DDD		SUPPORT, Segment Idler Shaft
28	4741 310	1				ER0	DDD		WASHER, Flat
29	4741 309	1				ER0	DDD		WASHER, Idler Gear
30	4741 307	2				ER0	DDD		THRUST WASHER, Reverse Idler
31	5066 651AA	1				ER0	DDD		GEAR, Reverse Idler
32	4874 359	1				ER0	DDD		BEARING, Idler
33	4741 303	1				ER0	DDD		IDLER SHAFT, Transmission
34	4741 891	2				ER0	DDD		BALL, Check, 4 mm
35	4874 363	2				ER0	DDD		RING, Synchronizer Blocker
36	4874 405	1				ER0	DDD		CONE, Synchronizer
-37	4874 403	2				ER0	DDD		RING
-38	4874 404	2				ER0	DDD		RING

JEEP WRANGLER (TJ)

SERIES	LINE	BODY	ENGINE	TRANSMISSION
H = Sport	J = Wrangler 4WD	77 = 93.4 WB	EPE, EP0 = 2.5L Power Tech	DGG, DGD = 32RH 3 Spd. Auto.
L = SE	U = Wrangler 4WD (RHD)		ERH, ER0 = 4.0L Power Tech	DDQ = 5 Spd. Manual
M = X				DDD = 5 Speed HD Manual
P = Sahara				DG0 = Auto. Trans.
				DBB = Manual Trans.

Fork and Rails (DDD)
Figure 3550-910



ITEM	PART NUMBER	QTY	LINE	SERIES	BODY	ENGINE	TRANS	TRIM	DESCRIPTION
------	-------------	-----	------	--------	------	--------	-------	------	-------------

NOTE; Sales Code

[DDD] = 5 Speed Heavy Duty Manual Transmission

[ER0] = All 4.0 L 6 Cylinder Gas Engines

1	5015 951AA	1				ER0	DDD		SHAFT, Selector
2	5014 109AA	1				ER0	DDD		LEVER, Shift Shaft
3	4741 137	3				ER0	DDD		SPRING, Lever
4	5015 949AA	1				ER0	DDD		PLUNGER
5	5012 337AA	1				ER0	DDD		BUSHING, Transmission
6	4741 139	1				ER0	DDD		PIN, Shift Shaft
7	5015 950AA	1				ER0	DDD		FORK, Third and Fourth
8	4741 139	1				ER0	DDD		PIN, Shift Shaft
9	4874 352	1				ER0	DDD		SOCKET, Shift Shaft
10	4773 563AB	1				ER0	DDD		FORK, Transmission
11	#4886 077AB	1				ER0	DDD		FORK, First and Second
12	5012 020AA	1				ER0	DDD		ISOLATOR, Shift Lever

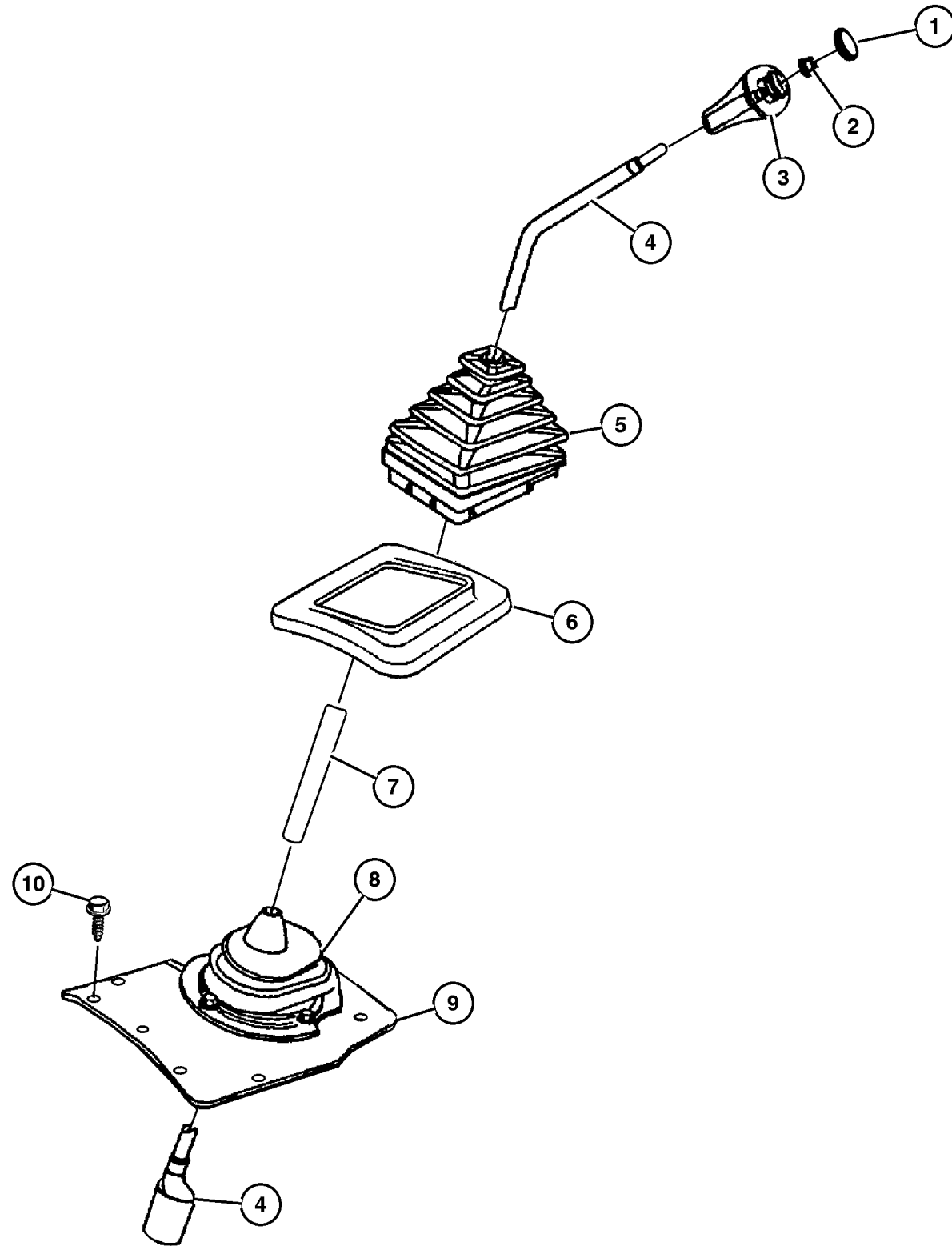
JEEP WRANGLER (TJ)

SERIES	LINE	BODY	ENGINE	TRANSMISSION
H = Sport	J = Wrangler 4WD	77 = 93.4 WB	EPE, EP0 = 2.5L Power Tech	DGG, DGD = 32RH 3 Spd. Auto.
L = SE	U = Wrangler 4WD (RHD)		ERH, ER0 = 4.0L Power Tech	DDQ = 5 Spd. Manual
M = X				DDD = 5 Speed HD Manual
P = Sahara				DG0 = Auto. Trans.
				DBB = Manual Trans.

AR = Use as required - = Non illustrated part # = New this model year

January 26, 2004

**Gearshift Controls (DDD)
Figure 3550-1210**



ITEM	PART NUMBER	QTY	LINE	SERIES	BODY	ENGINE	TRANS	TRIM	DESCRIPTION
NOTE; Sales Code									
[DBB] = All Manual Transmissions									
1	4446 921	1					DBB		INSERT, Transmission Shift Knob
2	6502 556	1					DBB		NUT, Hex, M10-1.5
3	5210 4174	1					DBB		KNOB, Gearshift
4									LEVER, Gearshift
	52078 576AC	1	J				DBB		
	52078 579AC	1	U				DBB		
5	5207 8558	1					DBB		BOOT, Gear Shift Lever
6	5300 0056	1					DBB		BEZEL, Gearshift Lever Boot
7	5210 4012	1					DBB		TUBE, Governor Support
8	52078 970AC	1					DBB		BOOT, Inner Gearshift
9	5207 8971	1					DBB		COVER, Floor Pan
10	J400 1701	2	U				DBB		SCREW, Hex Self Tapping, .19-16x.50

JEEP WRANGLER (TJ)				
SERIES	LINE	BODY	ENGINE	TRANSMISSION
H = Sport	J = Wrangler 4WD	77 = 93.4 WB	EPE, EP0 = 2.5L Power Tech	DGG, DGD = 32RH 3 Spd. Auto.
L = SE	U = Wrangler 4WD (RHD)		ERH, ER0 = 4.0L Power Tech	DDQ = 5 Spd. Manual
M = X				DDD = 5 Speed HD Manual
P = Sahara				DG0 = Auto. Trans.
				DBB = Manual Trans.

AR = Use as required - = Non illustrated part # = New this model year

January 26, 2004

Group – AISIN

Manual Transmission 5 Speed

GROUP AISIN - Manual Transmission 5 Speed

Illustration Title

Group-Fig. No.

Transmission Assembly

Transmission (DDQ) Fig. AISIN-110

Case and Extension

Case and Extension AX5 (DDQ) Fig. AISIN-210

Gear Train

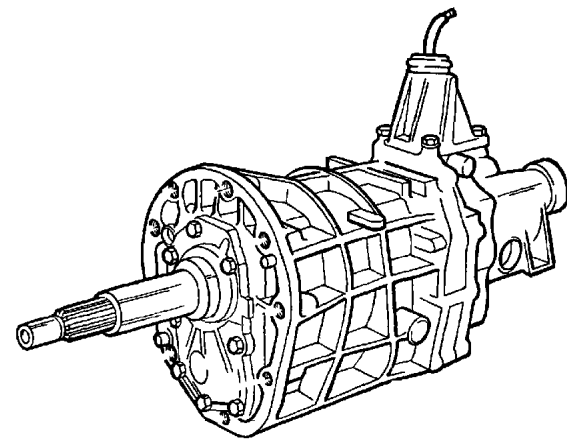
Gear Train AX5 (DDQ) Fig. AISIN-410

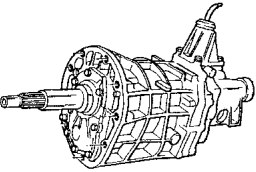
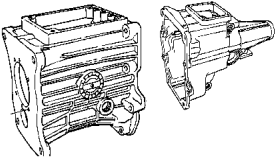
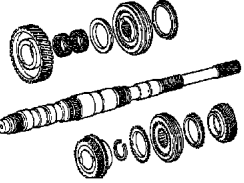
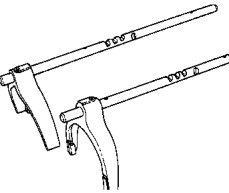

Forks and Rails

Forks AX5 (DDQ) Fig. AISIN-910

Gearshift Controls

Gearshift Controls (DDQ) Fig. AISIN-1210



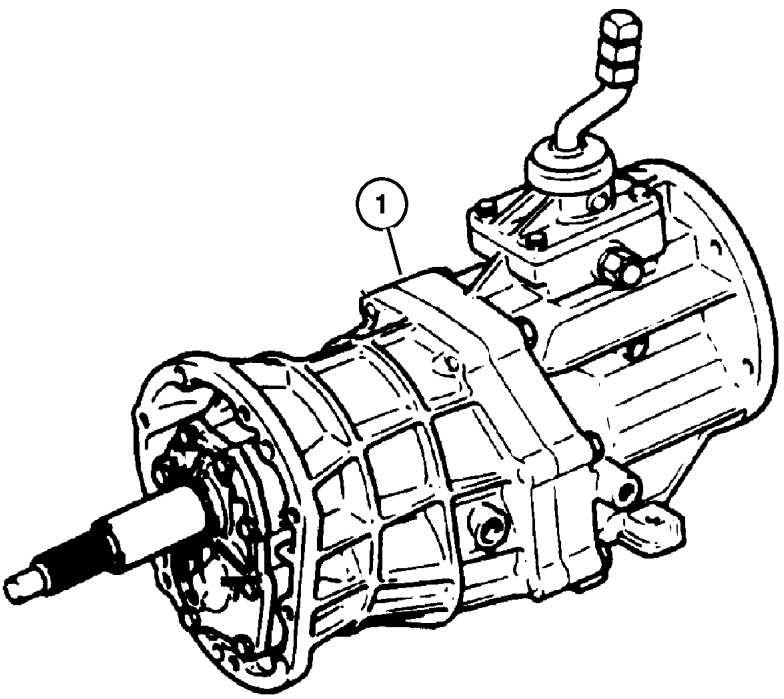
<p>AISIN-100 Transmission Assembly</p> 	<p>AISIN-200 Case and Extension</p> 	<p>AISIN-400 Gear Train</p> 	<p>AISIN-900 Forks and Rails</p> 
<p>AISIN-1200 Gearshift Controls</p> 			

**Transmission (DDQ)
Figure AISIN-110**

ITEM	PART NUMBER	QTY	LINE	SERIES	BODY	ENGINE	TRANS	TRIM	DESCRIPTION
------	-------------	-----	------	--------	------	--------	-------	------	-------------

NOTE; Sales Code
 [DDQ] = 5 Speed Manual Transmission
 [EP0] = All 2.5L 4 Cylinder Gas Engines

1	5210 4548	1				EP0	DDQ		TRANSMISSION, 5 Speed
---	-----------	---	--	--	--	-----	-----	--	-----------------------



JEEP WRANGLER (TJ)		BODY	ENGINE	TRANSMISSION
SERIES	LINE	77 = 93.4 WB	EPE, EP0 = 2.5L Power Tech ERH, ER0 = 4.0L Power Tech	DGG, DGD = 32RH 3 Spd. Auto. DDQ = 5 Spd. Manual DDD = 5 Speed HD Manual DG0 = Auto. Trans. DBB = Manual Trans.
H = Sport	J = Wrangler 4WD			
L = SE	U = Wrangler 4WD (RHD)			
M = X				
P = Sahara				

AR = Use as required - = Non illustrated part # = New this model year

**Case and Extension AX5 (DDQ)
Figure AISIN-210**

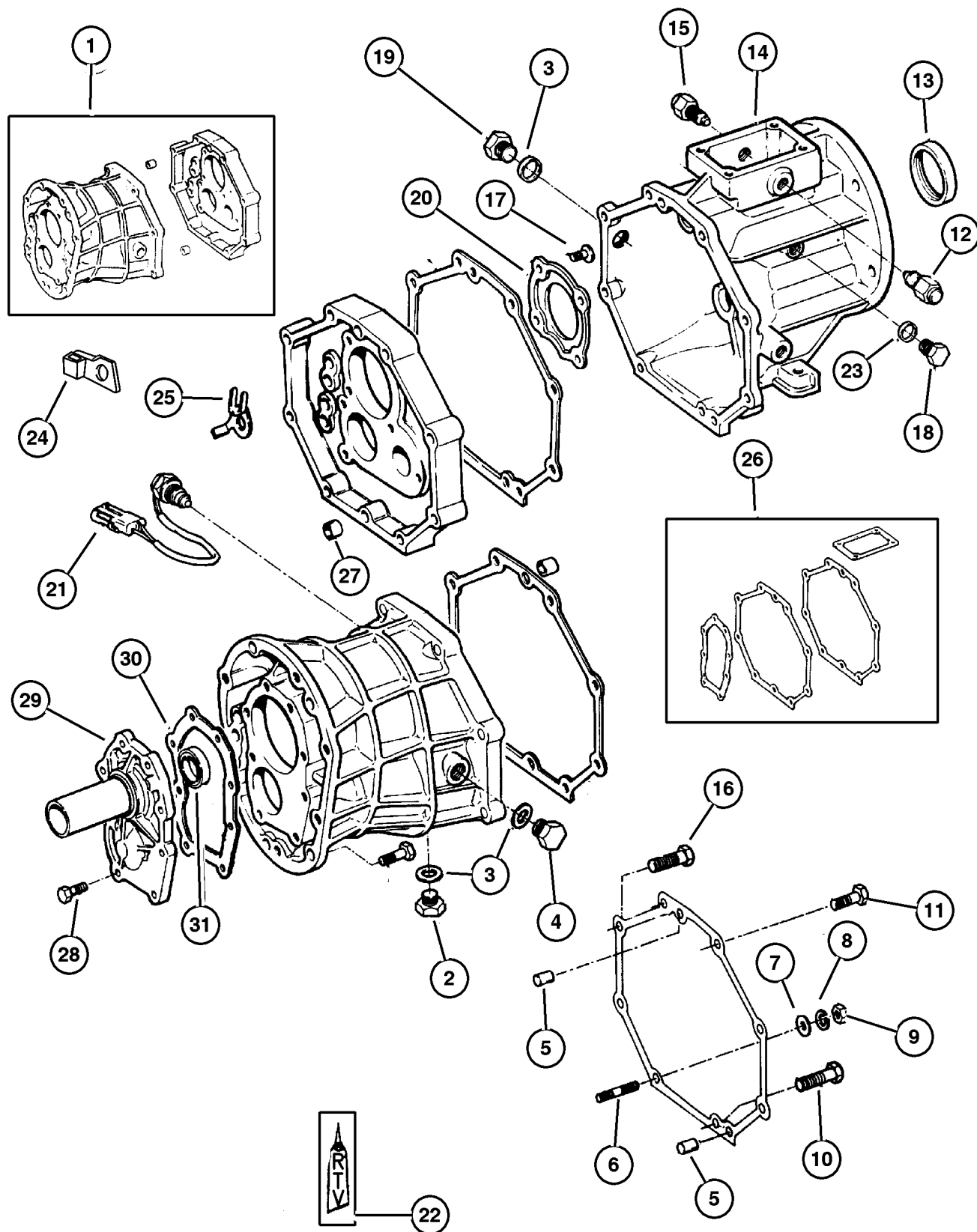
ITEM	PART NUMBER	QTY	LINE	SERIES	BODY	ENGINE	TRANS	TRIM	DESCRIPTION
NOTE; Sales Code									
[DDQ] = 5 Speed Manual Transmission									
[EP0] = All 2.5L 4 Cylinder Gas Engines									
1	4897 581AA	1				EP0	DDQ		CASE, Transmission
2	4543 303	1				EP0	DDQ		PLUG, Differential Drain
3	8350 0513	1				EP0	DDQ		GASKET, Drain Plug
4	8350 0509	1				EP0	DDQ		PLUG, Oil Fill
5	8350 0504	1				EP0	DDQ		PIN, Locating
6	8350 0618	1				EP0	DDQ		STUD, Double Ended, M10x1.25x98
7	8350 0627	1				EP0	DDQ		WASHER, Flat
8	8350 0626	1				EP0	DDQ		WASHER, Lock
9	8350 0625	1				EP0	DDQ		NUT, Transmission Case
10	8350 3547	1				EP0	DDQ		BOLT
11	8350 3549	1				EP0	DDQ		BOLT
12	8350 0516	1				EP0	DDQ		PIN, Reverse Restrict
13	8350 3108	1				EP0	DDQ		SEAL, Adapter
14	4897 133AA	1				EP0	DDQ		ADAPTER, Transfer Case
15	8350 0515	1				EP0	DDQ		PIN, Reverse
16	8350 3548	1				EP0	DDQ		BOLT
17	8350 0511	1				EP0	DDQ		SCREW, Manual Transmission
18	8350 3109	1				EP0	DDQ		CAP, Detent
19	8350 0623	1				EP0	DDQ		PLUG, Oil Fill
20	8350 6034	1				EP0	DDQ		RETAINER, Bearing
21	8350 0629	1				EP0	DDQ		SWITCH, Back Up Lamp
22									SEALANT, RTV
	5010 884AA	1			J				
		1			U				
23	8350 0540	1				EP0	DDQ		PIN, Shift Shaft
24	8350 0631	1				EP0	DDQ		CLAMP, Transmission
25	8350 3551	1				EP0	DDQ		CLAMP, Transmission
26	8350 0632	1				EP0	DDQ		GASKET, Transmission
27	5003 663AA	1				EP0	DDQ		PIN, Locating
28									SCREW, Hex Head, M8x1.25x25, M8X1.25X25.00, (NOT SERVICED) (Not Serviced)
29	4746 025	1				EP0	DDQ		RETAINER, Bearing
30	8350 0505	1				EP0	DDQ		GASKET, Input Gear Retainer
31	8350 6045	1				EP0	DDQ		SEAL, Main Shaft

JEEP WRANGLER (TJ)

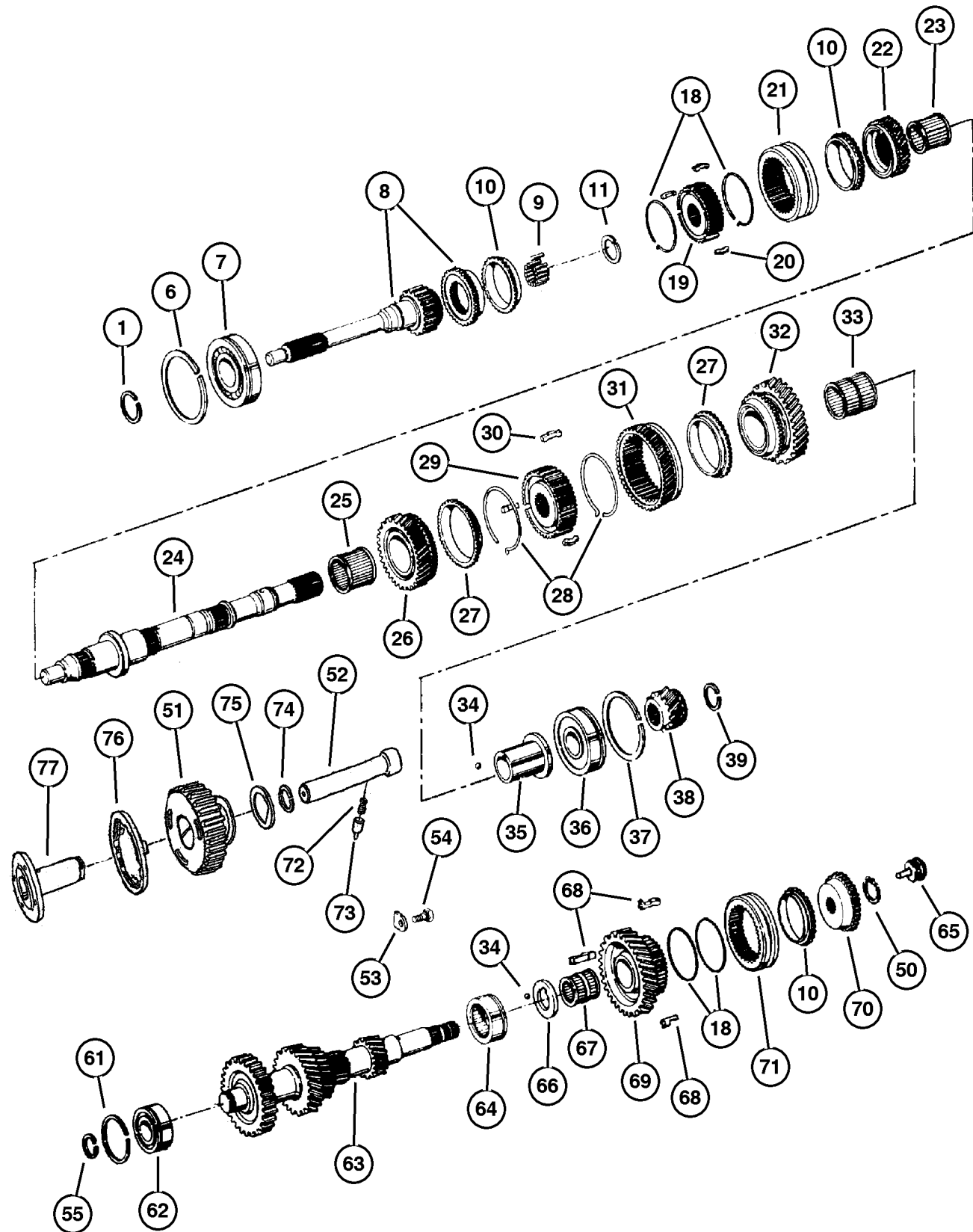
SERIES	LINE	BODY	ENGINE	TRANSMISSION
H = Sport	J = Wrangler 4WD	77 = 93.4 WB	EPE, EP0 = 2.5L Power Tech	DGG, DGD = 32RH 3 Spd. Auto.
L = SE	U = Wrangler 4WD (RHD)		ERH, ER0 = 4.0L Power Tech	DDQ = 5 Spd. Manual
M = X				DDD = 5 Speed HD Manual
P = Sahara				DG0 = Auto. Trans.
				DBB = Manual Trans.

AR = Use as required - = Non illustrated part # = New this model year

January 26, 2004



**Gear Train AX5 (DDQ)
Figure AISIN-410**



ITEM	PART NUMBER	QTY	LINE	SERIES	BODY	ENGINE	TRANS	TRIM	DESCRIPTION
NOTE; Sales Code									
[DDQ] = 5 Speed Manual Transmission									
[EP0] = All 2.5L 4 Cylinder Gas Engines									
1	8350 0611	1				EP0	DDQ		SNAP RING, Input Shaft, 2.30mm
-2	8350 0610	1				EP0	DDQ		SNAP RING, Input Shaft, 2.25mm
-3	8350 0609	1				EP0	DDQ		SNAP RING, Input Shaft, 2.20mm
-4	8350 0608	1				EP0	DDQ		SNAP RING, Input Shaft, 2.15mm
-5	8350 0607	1				EP0	DDQ		SNAP RING, Input Shaft, 2.10mm
6	8350 0614	1				EP0	DDQ		SNAP RING
7	8350 2681	1				EP0	DDQ		BEARING, Input Shaft
8	8350 6020	1				EP0	DDQ		SHAFT, Input
9	8350 2680	1				EP0	DDQ		ROLLER, Input Gear
10	8350 0566	1				EP0	DDQ		STOP RING, Synchronizer
11	8350 0598	1				EP0	DDQ		SNAP RING, Mainshaft, 1.75mm
-12	8350 0599	1				EP0	DDQ		SNAP RING, Mainshaft, 1.80mm
-13	8350 0602	1				EP0	DDQ		SNAP RING, Mainshaft, 1.85mm
-14	8350 0603	1				EP0	DDQ		SNAP RING, Mainshaft, 1.90mm
-15	8350 0604	1				EP0	DDQ		SNAP RING, Mainshaft, 1.95mm
-16	8350 0605	1				EP0	DDQ		SNAP RING, Mainshaft, 2.00mm
-17	8350 0606	1				EP0	DDQ		SNAP RING, Mainshaft, 2.05mm
18	8350 0568	1				EP0	DDQ		SPRING, Synchronizer Key
19	8350 6027	1				EP0	DDQ		SYNCHRONIZER, Third and Fourth
20	8350 6029	1				EP0	DDQ		KEY, Synchronizer
21	4740 235	1				EP0	DDQ		SLEEVE, Synchromesh Clutch Gear
22	8350 6019	1				EP0	DDQ		GEAR, Third
23	8350 0576	1				EP0	DDQ		BEARING, Third Gear
24	8350 3105	1				EP0	DDQ		MAINSHAFT, Transmission
25	8350 0577	1				EP0	DDQ		BEARING, Second Gear
26	8350 6018	1				EP0	DDQ		GEAR, Second
27	8350 0567	1				EP0	DDQ		STOP RING, Synchronizer
28	8350 0569	1				EP0	DDQ		SPRING, Synchronizer Key
29	8350 0561	1				EP0	DDQ		SYNCHRONIZER, First and Second
30	8350 0564	1				EP0	DDQ		KEY, Synchronizer
31	4897 101AA	1				EP0	DDQ		GEAR, Reverse
32	8350 6017	1				EP0	DDQ		GEAR, First
33	8350 6031	1				EP0	DDQ		BEARING, First Gear
34	8350 0573	1				EP0	DDQ		BALL, Reverse
35	8350 6026	1				EP0	DDQ		RACE, First Gear
36	8350 6030	1				EP0	DDQ		BEARING, Mainshaft
37	8350 0613	1				EP0	DDQ		SNAP RING
38	8350 0971	1				EP0	DDQ		GEAR, Fifth
39	8350 0587	1				EP0	DDQ		SNAP RING, Mainshaft, 2.67-2.72mm

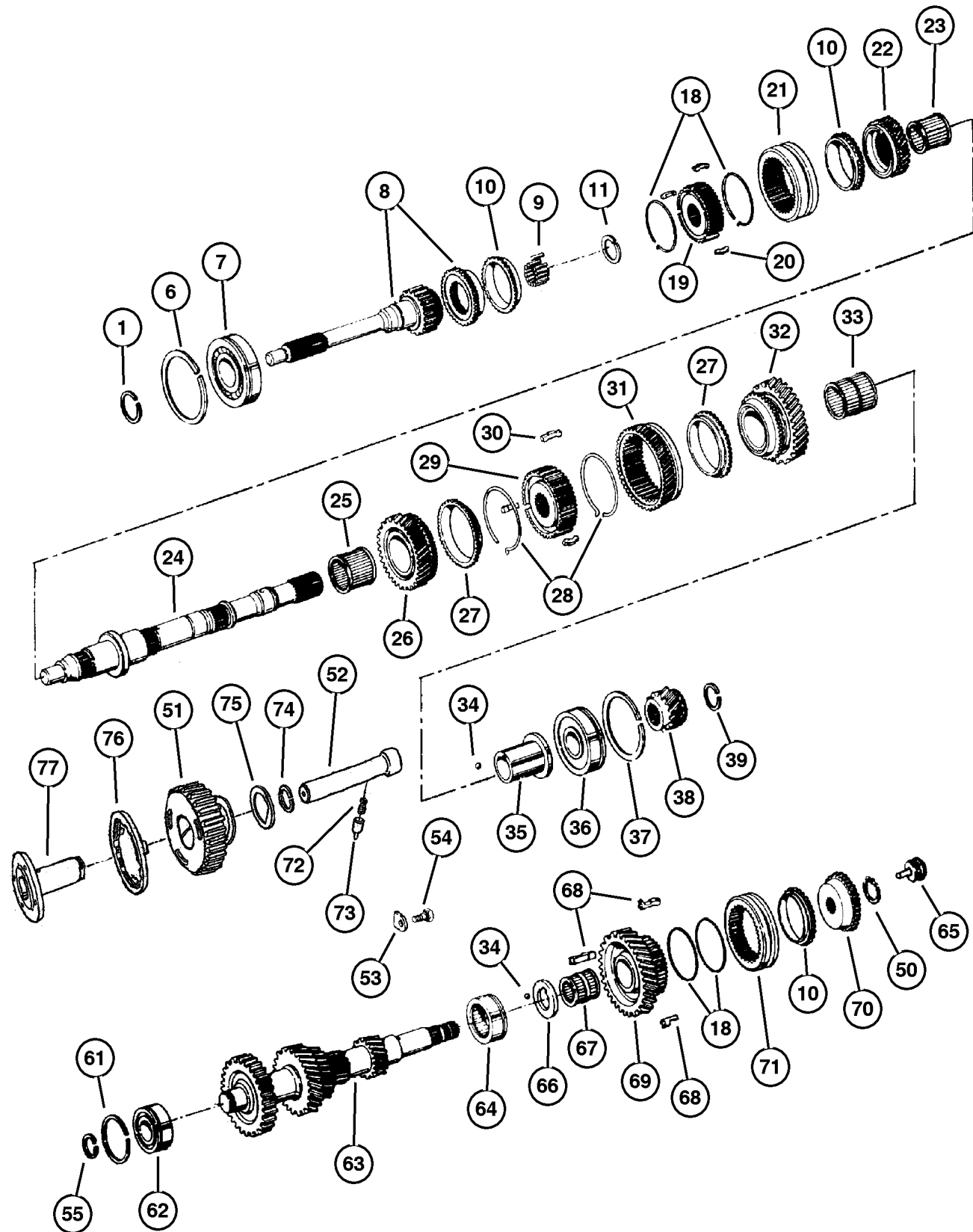
JEEP WRANGLER (TJ)

SERIES	LINE	BODY	ENGINE	TRANSMISSION
H = Sport	J = Wrangler 4WD	77 = 93.4 WB	EPE, EP0 = 2.5L Power Tech	DGG, DGD = 32RH 3 Spd. Auto.
L = SE	U = Wrangler 4WD (RHD)		ERH, ER0 = 4.0L Power Tech	DDQ = 5 Spd. Manual
M = X				DDD = 5 Speed HD Manual
P = Sahara				DG0 = Auto. Trans.
				DBB = Manual Trans.

AR = Use as required - = Non illustrated part # = New this model year

January 26, 2004

**Gear Train AX5 (DDQ)
Figure AISIN-410**



ITEM	PART NUMBER	QTY	LINE	SERIES	BODY	ENGINE	TRANS	TRIM	DESCRIPTION
-40	8350 0588	1				EP0	DDQ		SNAP RING, Mainshaft, 2.73-2.78mm
-41	8350 0589	1				EP0	DDQ		SNAP RING, Mainshaft, 2.79-2.84mm
-42	8350 0590	1				EP0	DDQ		SNAP RING, Mainshaft, 2.85-2.90mm
-43	8350 0591	1				EP0	DDQ		SNAP RING, Mainshaft, 2.91-2.96mm
-44	8350 0592	1				EP0	DDQ		SNAP RING, Mainshaft, 2.97-3.02mm
-45	8350 0593	1				EP0	DDQ		SNAP RING, Mainshaft, 3.03-3.08mm
-46	8350 0594	1				EP0	DDQ		SNAP RING, Mainshaft, 3.09-3.14mm
-47	8350 0595	1				EP0	DDQ		SNAP RING, Mainshaft, 3.15-3.20mm
-48	8350 0596	1				EP0	DDQ		SNAP RING, Mainshaft, 3.21-3.26mm
-49	8350 0597	1				EP0	DDQ		SNAP RING, Mainshaft, 3.27mm/3.32mm
50	8350 6035	1				EP0	DDQ		SNAP RING PACKAGE, Transmission
51	4897 102AA	1				EP0	DDQ		GEAR, Reverse Idler
52	4897 104AA	1				EP0	DDQ		IDLER SHAFT, Transmission
53	4883 380AA	1				EP0	DDQ		STOPPER, Idler Shaft
54	8350 0615	1				EP0	DDQ		BOLT AND LOCK WASHER, Hex Head, M8x1.25x20
55	8350 0581	1				EP0	DDQ		SNAP RING, Cluster Gear, 2.05mm
-56	8350 0582	1				EP0	DDQ		SNAP RING, Cluster Gear, 2.10-2.15mm
-57	8350 0583	1				EP0	DDQ		SNAP RING, Cluster Gear, 2.15mm
-58	8350 0584	1				EP0	DDQ		SNAP RING, Cluster Gear, 2.20mm
-59	8350 0585	1				EP0	DDQ		SNAP RING, Cluster Gear, 2.25mm
-60	8350 0586	1				EP0	DDQ		SNAP RING, Cluster Gear, 2.30mm
61	8350 0612	1				EP0	DDQ		SNAP RING
62	8350 6032	1				EP0	DDQ		BEARING, Cluster Gear
63	4897 103AA	1				EP0	DDQ		GEAR, Countershaft
64	8350 6033	1				EP0	DDQ		BEARING, Cluster Gear
65	8350 0646	1				EP0	DDQ		PIPE, Oil Receiver
66	8350 6025	1				EP0	DDQ		THRUST WASHER, Fourth Gear
67	8350 0644	1				EP0	DDQ		NEEDLE BEARING, Fifth Gear
68	8350 0641	1				EP0	DDQ		KEY, Synchronizer

JEEP WRANGLER (TJ)

SERIES
H = Sport
L = SE
M = X
P = Sahara

LINE
J = Wrangler 4WD
U = Wrangler 4WD (RHD)

BODY
77 = 93.4 WB

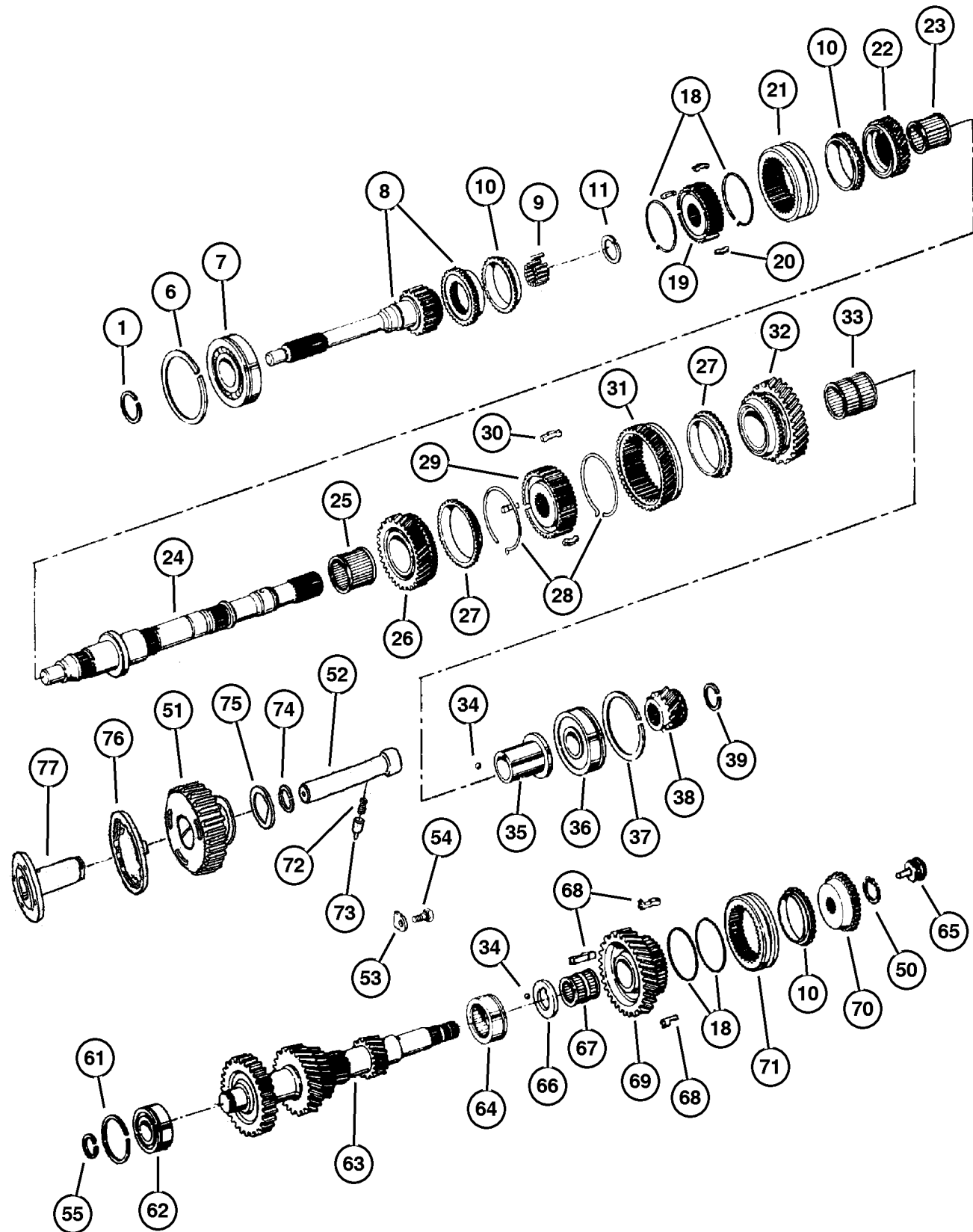
ENGINE
EPE, EP0 = 2.5L Power Tech
ERH, ER0 = 4.0L Power Tech

TRANSMISSION
DGG, DGD = 32RH 3 Spd. Auto.
DDQ = 5 Spd. Manual
DDD = 5 Speed HD Manual
DG0 = Auto. Trans.
DBB = Manual Trans.

AR = Use as required - = Non illustrated part # = New this model year

January 26, 2004

**Gear Train AX5 (DDQ)
Figure AISIN-410**



ITEM	PART NUMBER	QTY	LINE	SERIES	BODY	ENGINE	TRANS	TRIM	DESCRIPTION
69	8350 6022	1				EP0	DDQ		GEAR, Countershaft Fifth
70	8350 6024	1				EP0	DDQ		GEAR, Fifth Splined
71	4746 657	1				EP0	DDQ		SLEEVE, Synchronizer
72	4897 110AA	1				EP0	DDQ		SPRING, Compression
73	4897 109AA	1				EP0	DDQ		PIN
74	4897 112AA	1				EP0	DDQ		RING, Snap
75	4897 108AA	1				EP0	DDQ		PLATE, Transmission Idler Shaft
76	4897 111AA	1				EP0	DDQ		RING, Transmission
77	4897 107AA	1				EP0	DDQ		RACE, Idler Gear

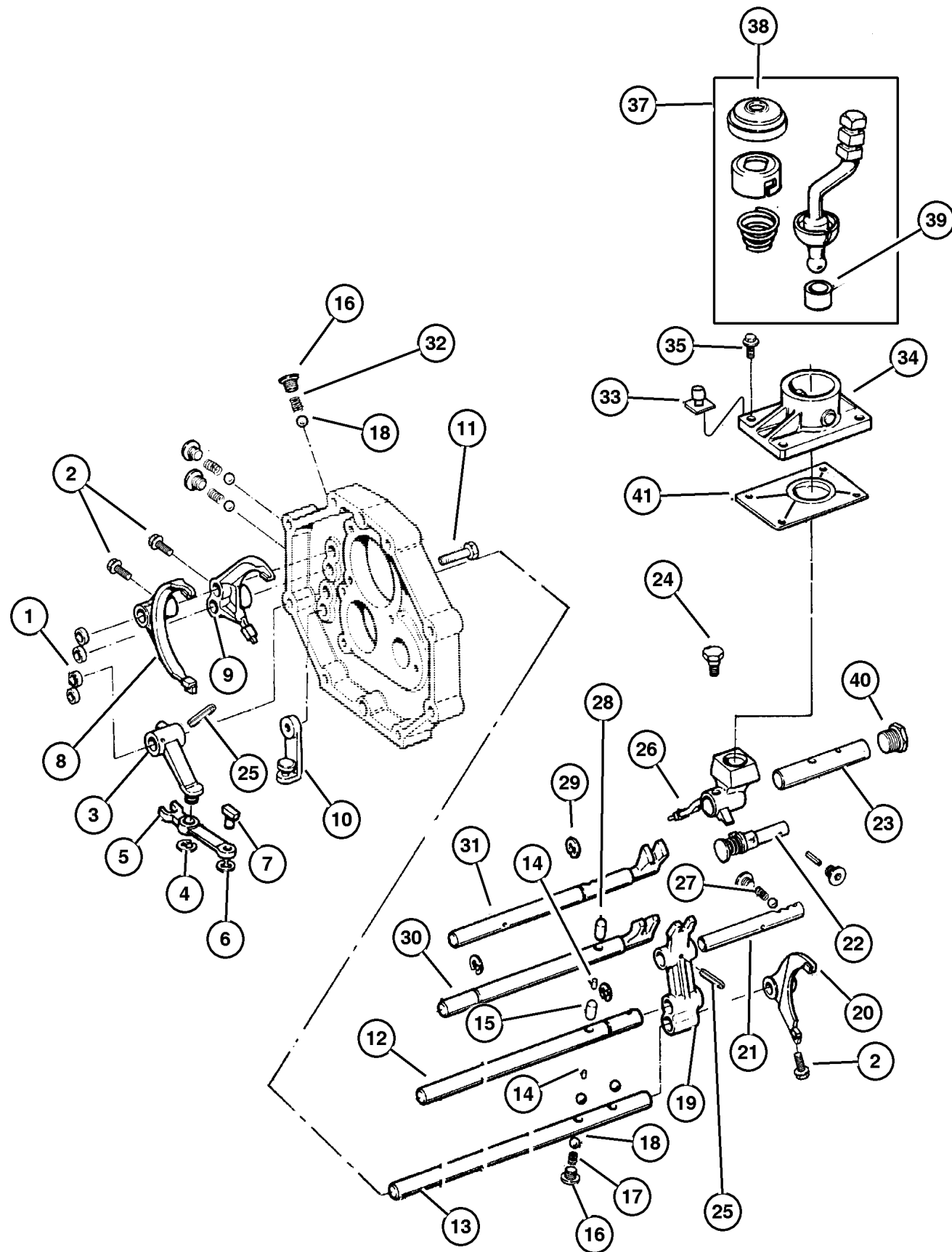
JEEP WRANGLER (TJ)

SERIES	LINE	BODY	ENGINE	TRANSMISSION
H = Sport	J = Wrangler 4WD	77 = 93.4 WB	EPE, EP0 = 2.5L Power Tech	DGG, DGD = 32RH 3 Spd. Auto.
L = SE	U = Wrangler 4WD (RHD)		ERH, ER0 = 4.0L Power Tech	DDQ = 5 Spd. Manual
M = X				DDD = 5 Speed HD Manual
P = Sahara				DG0 = Auto. Trans.
				DBB = Manual Trans.

AR = Use as required - = Non illustrated part # = New this model year

January 26, 2004

Forks AX5 (DDQ) Figure AISIN-910



ITEM	PART NUMBER	QTY	LINE	SERIES	BODY	ENGINE	TRANS	TRIM	DESCRIPTION
------	-------------	-----	------	--------	------	--------	-------	------	-------------

NOTE; Sales Code

[DDQ] = 5 Speed Manual Transmission

[EP0] = All 2.5L 4 Cylinder Gas Engines

1	8350 0503	1				EP0	DDQ		PLUG, Shift Rail
2	8350 2664	1				EP0	DDQ		BOLT, Shift Fork
3	8350 0526	1				EP0	DDQ		FORK, Transmission
4	8350 0547	1				EP0	DDQ		SNAP RING
5	4897 099AA	1				EP0	DDQ		ARM, Reverse Shift
6	8350 0547	1				EP0	DDQ		SNAP RING
7	4897 100AA	1				EP0	DDQ		SHOE, Shift Lever
8	4740 236	1				EP0	DDQ		FORK PACKAGE, Shift
9	8350 2662	1				EP0	DDQ		FORK, Transmission
10	8350 0531	1				EP0	DDQ		BRACKET, Reverse Arm
11	8350 0549	1				EP0	DDQ		BOLT, Bearing Retainer
12	4746 659	1				EP0	DDQ		SHAFT, Gear Shift Fork, Number 3
13	4746 660	1				EP0	DDQ		SHAFT, Gear Shift Fork, Number 4
14	8350 0537	1				EP0	DDQ		PIN, Shift Shaft
15	8350 0541	1				EP0	DDQ		PIN, Interlock, 21.6mm
16	8350 0524	1				EP0	DDQ		PLUG, Transmission
17	8350 0638	1				EP0	DDQ		SPRING, Compression Shift
18	8350 0542	1				EP0	DDQ		BALL, Gearshift Fork Lock
19	4746 658	1				EP0	DDQ		HEAD, Shifter Shaft
20	4746 656	1				EP0	DDQ		FORK, Transmission
21	8350 0536	1				EP0	DDQ		SHAFT, Selector
22	8350 0515	1				EP0	DDQ		PIN, Reverse
23	8350 0514	1				EP0	DDQ		SHAFT, Shift Lever
24	8350 6036	1				EP0	DDQ		BOLT
25	8350 0540	1				EP0	DDQ		PIN, Shift Shaft
26	8350 0636	1				EP0	DDQ		HOUSING, Shift Lever
27	8350 0544	1				EP0	DDQ		SPRING, Compression
28	8350 0543	1				EP0	DDQ		PIN, Interlock, 30.3mm
29	8350 6054	1				EP0	DDQ		SNAP RING
30	8350 6055	1				EP0	DDQ		SHAFT, Selector
31	8350 6047	1				EP0	DDQ		SHAFT, Selector
32	8350 0545	1				EP0	DDQ		SPRING, Compression Detent
33	4864 215	1				EP0	DDQ		CAP, Vent
34	4864 211	1				EP0	DDQ		RETAINER, Transmission
35	8350 3107	1				EP0	DDQ		BOLT
-36	8350 0525	1				EP0	DDQ		BOLT AND LOCK WASHER, Hex Head, M8x1.25x30
37	4882 436	1				EP0	DDQ		LEVER, Gearshift
38	8350 0520	1				EP0	DDQ		BOOT, Gearshift

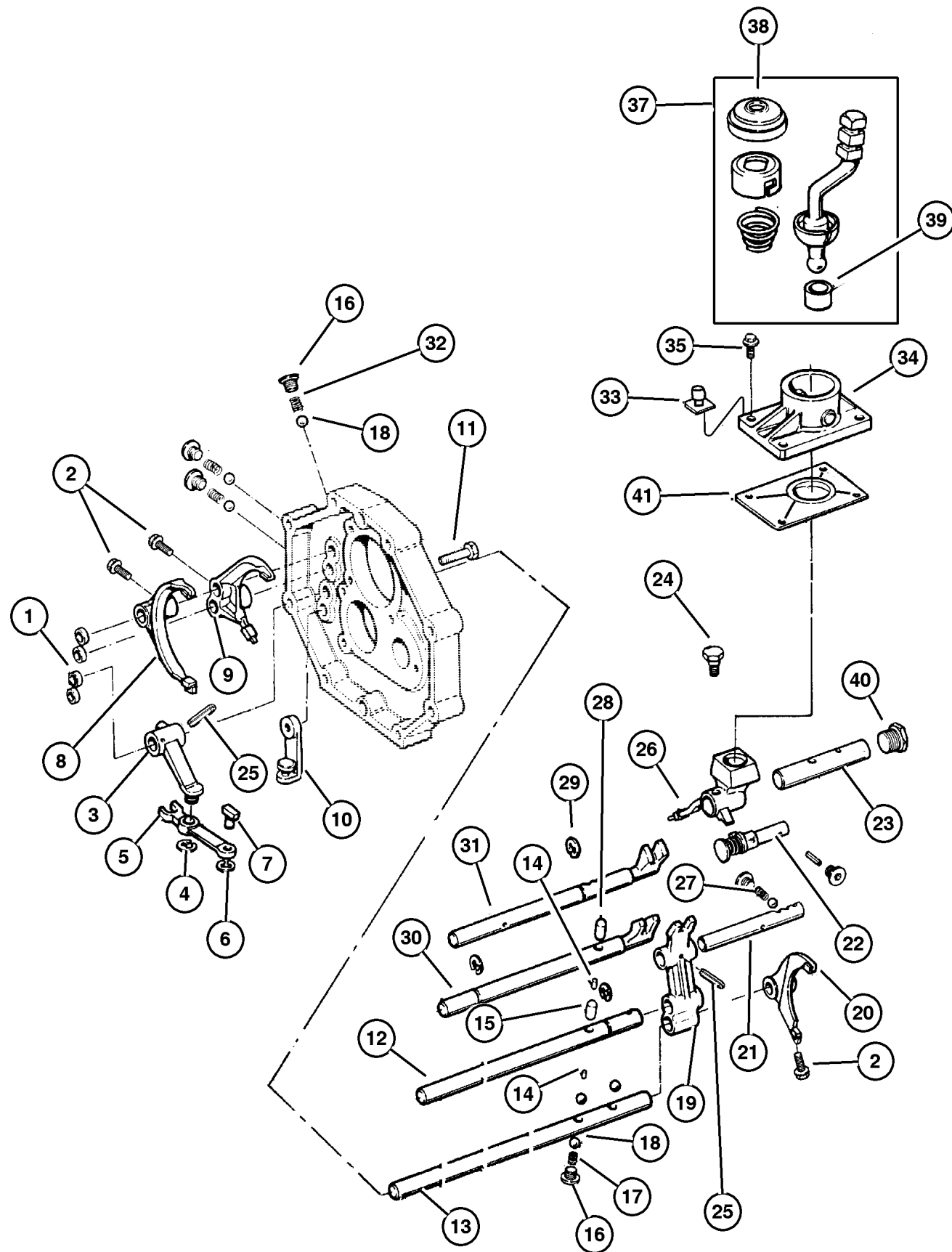
JEEP WRANGLER (TJ)

SERIES	LINE	BODY	ENGINE	TRANSMISSION
H = Sport	J = Wrangler 4WD	77 = 93.4 WB	EPE, EP0 = 2.5L Power Tech	DGG, DGD = 32RH 3 Spd. Auto.
L = SE	U = Wrangler 4WD (RHD)		ERH, ER0 = 4.0L Power Tech	DDQ = 5 Spd. Manual
M = X				DDD = 5 Speed HD Manual
P = Sahara				DG0 = Auto. Trans.
				DBB = Manual Trans.

AR = Use as required - = Non illustrated part # = New this model year

January 26, 2004

Forks AX5 (DDQ)
Figure AISIN-910



ITEM	PART NUMBER	QTY	LINE	SERIES	BODY	ENGINE	TRANS	TRIM	DESCRIPTION
39	8350 0519	1				EP0	DDQ		BUSHING, Shift Lever
40	8350 3109	1				EP0	DDQ		CAP, Detent
41	4864 216	1				EP0	DDQ		SHIELD, Transmission

JEEP WRANGLER (TJ)

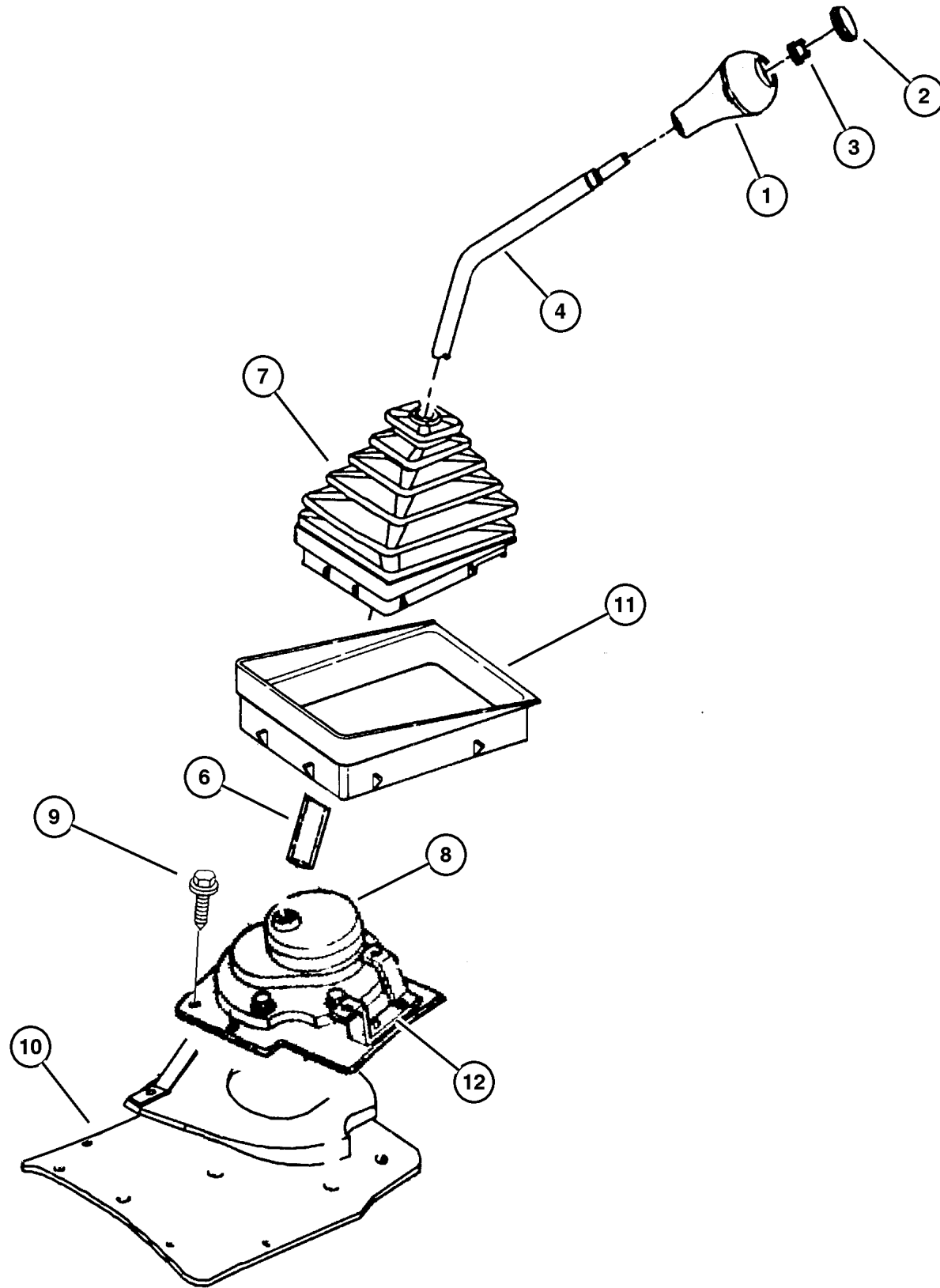
SERIES	LINE	BODY	ENGINE	TRANSMISSION
H = Sport	J = Wrangler 4WD	77 = 93.4 WB	EPE, EP0 = 2.5L Power Tech	DGG, DGD = 32RH 3 Spd. Auto.
L = SE	U = Wrangler 4WD (RHD)		ERH, ER0 = 4.0L Power Tech	DDQ = 5 Spd. Manual
M = X				DDD = 5 Speed HD Manual
P = Sahara				DG0 = Auto. Trans.
				DBB = Manual Trans.

AR = Use as required - = Non illustrated part # = New this model year

January 26, 2004

**Gearshift Controls (DDQ)
Figure AISIN-1210**

ITEM	PART NUMBER	QTY	LINE	SERIES	BODY	ENGINE	TRANS	TRIM	DESCRIPTION
NOTE; Sales Code									
[DBB] = All Manual Transmissions									
1	5210 4174	1					DBB		KNOB, Gearshift
2	4446 921	1					DBB		INSERT, Transmission Shift Knob
3	6502 556	1					DBB		NUT, Hex, M10-1.5
4									LEVER, Gearshift
	52078 576AC	1	J				DBB		
	52078 579AC	1	U				DBB		
-5									LEVER, Gearshift
	52078 579AC	1	U				DBB		
	52078 576AC	1	J				DBB		
6	5210 4012	1					DBB		TUBE, Governor Support
7	5207 8558	1					DBB		BOOT, Gear Shift Lever
8	52078 970AC	1					DBB		BOOT, Inner Gearshift
9									SCREW, Hex Flange Head, M4.2x1.41x13.00, (NOT SERVICED) (Not Serviced)
10	5207 8971	1					DBB		COVER, Floor Pan
11	5300 0056	1					DBB		BEZEL, Gearshift Lever Boot
12	3420 1035	3					DBB		RIVET, M4x12 Aluminum



JEEP WRANGLER (TJ)

SERIES	LINE	BODY	ENGINE	TRANSMISSION
H = Sport	J = Wrangler 4WD	77 = 93.4 WB	EPE, EP0 = 2.5L Power Tech	DGG, DGD = 32RH 3 Spd. Auto.
L = SE	U = Wrangler 4WD (RHD)		ERH, ER0 = 4.0L Power Tech	DDQ = 5 Spd. Manual
M = X				DDD = 5 Speed HD Manual
P = Sahara				DG0 = Auto. Trans.
				DBB = Manual Trans.

AR = Use as required - = Non illustrated part # = New this model year

January 26, 2004

Group – 231

Transfer Case Model 231

GROUP 231 - Transfer Case Model 231

Illustration Title

Group-Fig. No.

Transfer Case Assembly

Command Trac Transfer Case [DHN] Fig. 231-110

Case and Related Parts

Case & Related Parts, Command Trac [DHN] Fig. 231-210

Gear Train

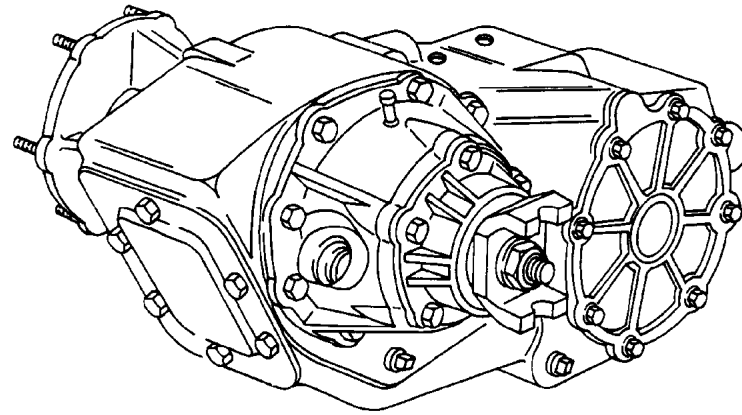
Gear Train, Command Trac [DHN] Fig. 231-410

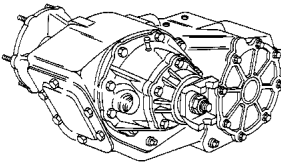
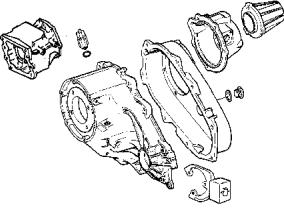
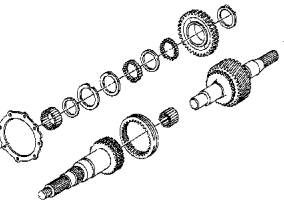
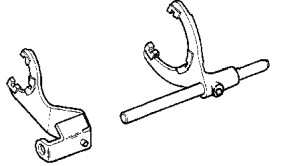

Fork and Rails

Forks & Rails, Command Trac [DHN] Fig. 231-910

Gearshift Controls

Gearshift Controls, Command Trac [DHN] Fig. 231-1210



<p>231-100 Transfer Case Assembly</p> 	<p>231-200 Case and Related Parts</p> 	<p>231-400 Gear Train</p> 	<p>231-900 Fork and Rails</p> 
<p>231-1200 Gearshift Controls</p> 			

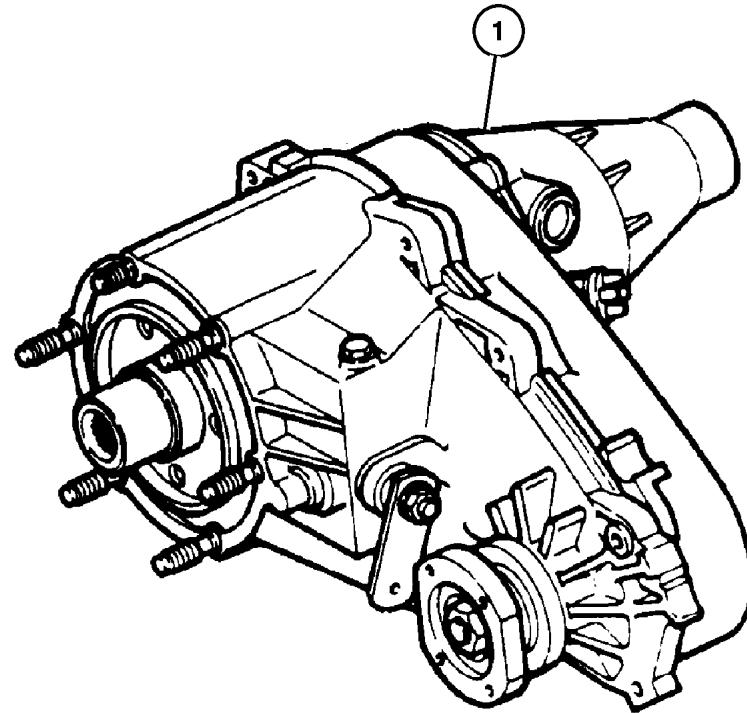
**Command Trac Transfer Case [DHN]
Figure 231-110**

ITEM	PART NUMBER	QTY	LINE	SERIES	BODY	ENGINE	TRANS	TRIM	DESCRIPTION
------	-------------	-----	------	--------	------	--------	-------	------	-------------

NOTE:

Sales Codes
 [DBB]=All Manual Transmissions
 [DG0]=All Automatic Transmissions
 [EP0]=All 2.5L 4 Cylinder Engines
 [ER0]=All 4.0L 6 Cylinder Engines

1									TRANSFER CASE, NV231
	52099 211AB	1				EP0, ER0	DG0		
	52099 364AB	1				EP0	DBB		
	52111 252AB	1				ER0	DBB		



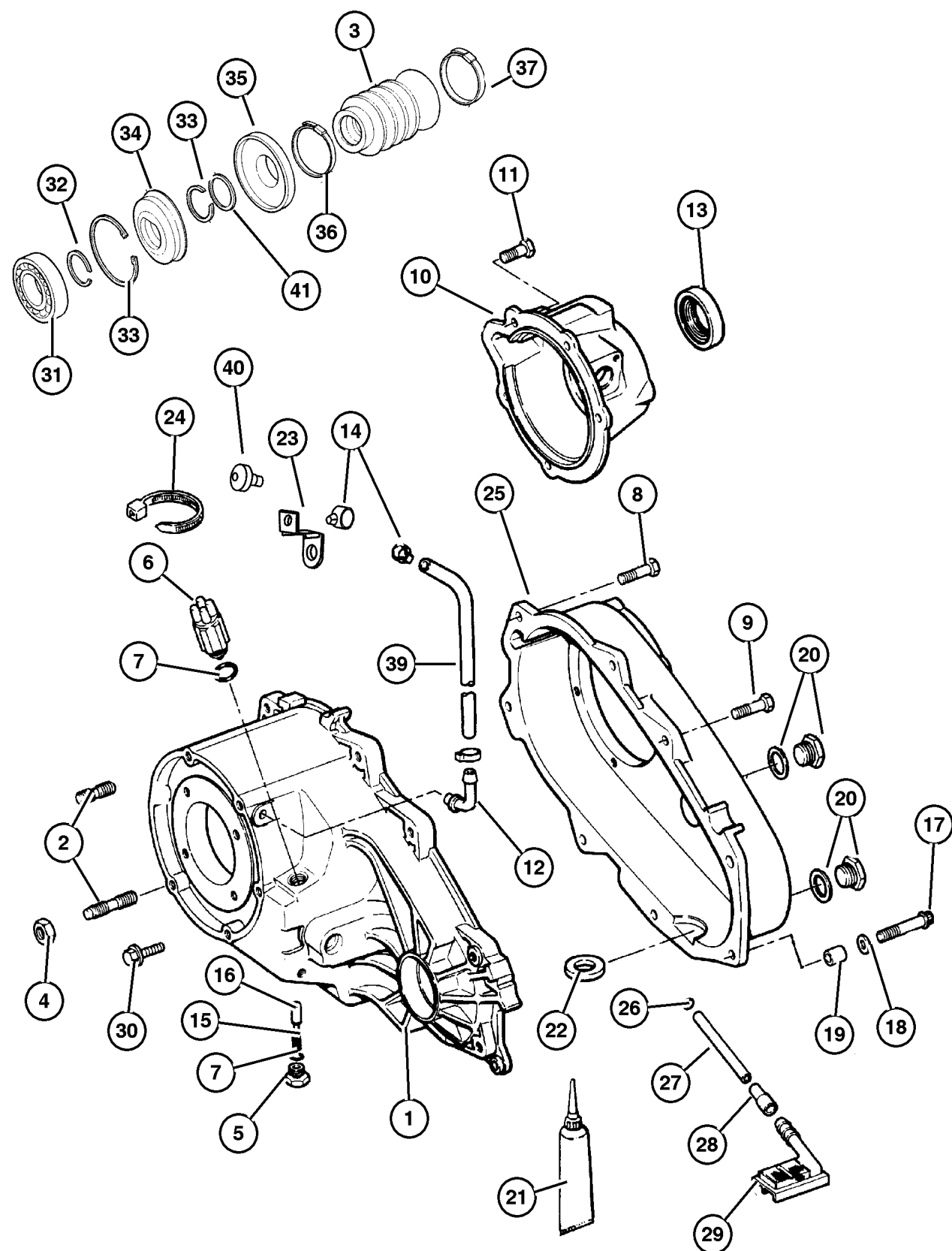
JEEP WRANGLER (TJ)

SERIES	LINE	BODY	ENGINE	TRANSMISSION
H = Sport	J = Wrangler 4WD	77 = 93.4 WB	EPE, EP0 = 2.5L Power Tech	DGG, DGD = 32RH 3 Spd. Auto.
L = SE	U = Wrangler 4WD (RHD)		ERH, ER0 = 4.0L Power Tech	DDQ = 5 Spd. Manual
M = X				DDD = 5 Speed HD Manual
P = Sahara				DG0 = Auto. Trans.
				DBB = Manual Trans.

AR = Use as required - = Non illustrated part # = New this model year

January 26, 2004

Case & Related Parts, Command Trac [DHN]
Figure 231-210

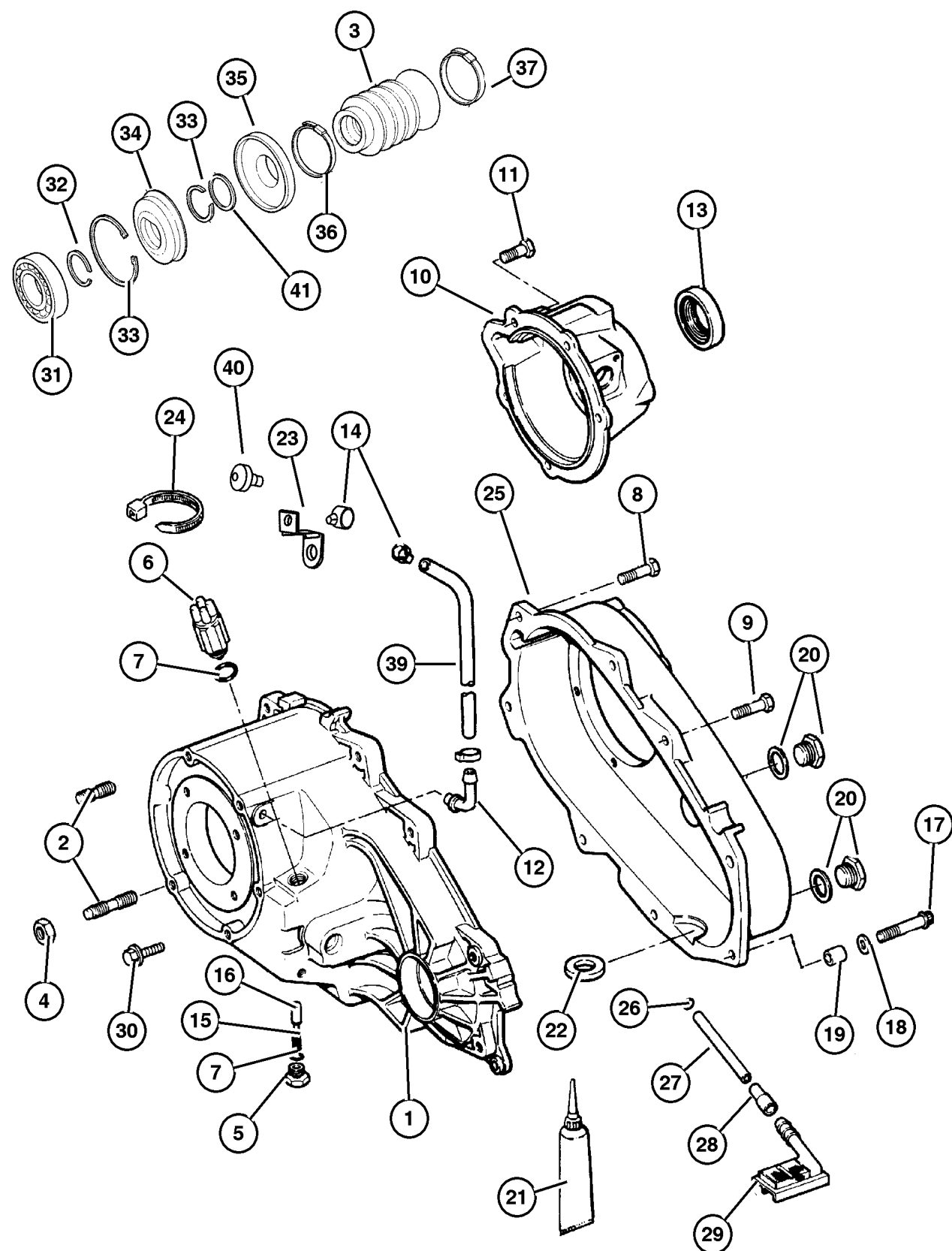


ITEM	PART NUMBER	QTY	LINE	SERIES	BODY	ENGINE	TRANS	TRIM	DESCRIPTION
NOTE:									
Sales Codes:									
[DBB]=All Manual Transmissions									
[DG0]=All Automatic Transmissions									
[EP0]=All 2.5L 4 Cylinder Engine									
[ER0]=All 4.0L 6 Cylylinder Engine									
1	4798 111	1				EP0	DBB		CASE, Transfer Front
		1				ER0	DBB		
		1				EP0,	DG0		
		1				ER0			STUD
2	4505 365	6				EP0,	DG0		
		6				ER0	DBB		
		6				EP0	DBB		
		1				EP0,	DG0		
						ER0			
3	4798 123	1				EP0,	DG0		BOOT, Driveshaft
						ER0			With Stamp # [52099211AB]
		1				EP0	DBB		With Stamp # [52099364AB]
	5017 825AA	1				ER0	DBB		With Stamp # [52111252AA]
4									NUT AND CONED WASHER, Hex,
									.375-24
	J400 6681	6				EP0	DD0		
		6				EP0	DG0		
		6				ER0			
5									SCREW
	4886 473AA	1				EP0,	DG0		
		1				ER0	DBB		
		1				EP0	DBB		
6	J813 4473	1				EP0,	DG0		SWITCH, Transfer Case Mode
		1				ER0	DBB		
		1				EP0	DBB		
7	4338 956	1				EP0,	DG0		SEAL, Vacuum Switch
		1				ER0	DBB		

JEEP WRANGLER (TJ)

SERIES	LINE	BODY	ENGINE	TRANSMISSION
H = Sport	J = Wrangler 4WD	77 = 93.4 WB	EPE, EP0 = 2.5L Power Tech	DGG, DGD = 32RH 3 Spd. Auto.
L = SE	U = Wrangler 4WD (RHD)		ERH, ER0 = 4.0L Power Tech	DDQ = 5 Spd. Manual
M = X				DDD = 5 Speed HD Manual
P = Sahara				DG0 = Auto. Trans.
				DBB = Manual Trans.

Case & Related Parts, Command Trac [DHN]
Figure 231-210



ITEM	PART NUMBER	QTY	LINE	SERIES	BODY	ENGINE	TRANS	TRIM	DESCRIPTION
		1				EP0	DBB		
8	4210 617	5				EP0, ER0	DG0		BOLT, Transfer Case
		5				ER0	DBB		
9	J813 0979	1				EP0	DBB		BOLT, Twelve Point Head, M10x1.5x48
		1				EP0,	DG0		
		1				ER0	DBB		
10	5017 477AA	1				EP0, ER0	DG0		RETAINER, Transfer Case Rear
		1				ER0	DBB		
		1				EP0	DBB		
11	6500 318	4				ER0	DBB		BOLT
		5				EP0	DBB		
		5				EP0, ER0	DG0		
12	4796 910	1				ER0			VENT, Transfer Case
		1				EP0, ER0	DG0		
		1				ER0	DBB		
		1				EP0	DBB		
13	4798 117	1				EP0,	DG0		SEAL, Output Shaft
		1				ER0			
		1				ER0	DBB		
		1				EP0	DBB		
14	J400 5701	1							CLIP, Wrap Around, Tube
15	4638 497	1				EP0, ER0	DG0		SPRING, Shift Detent
		1				ER0	DBB		
		1				EP0	DBB		
16	5300 8217	1				EP0, ER0	DG0		PLUNGER
		1				ER0	DBB		

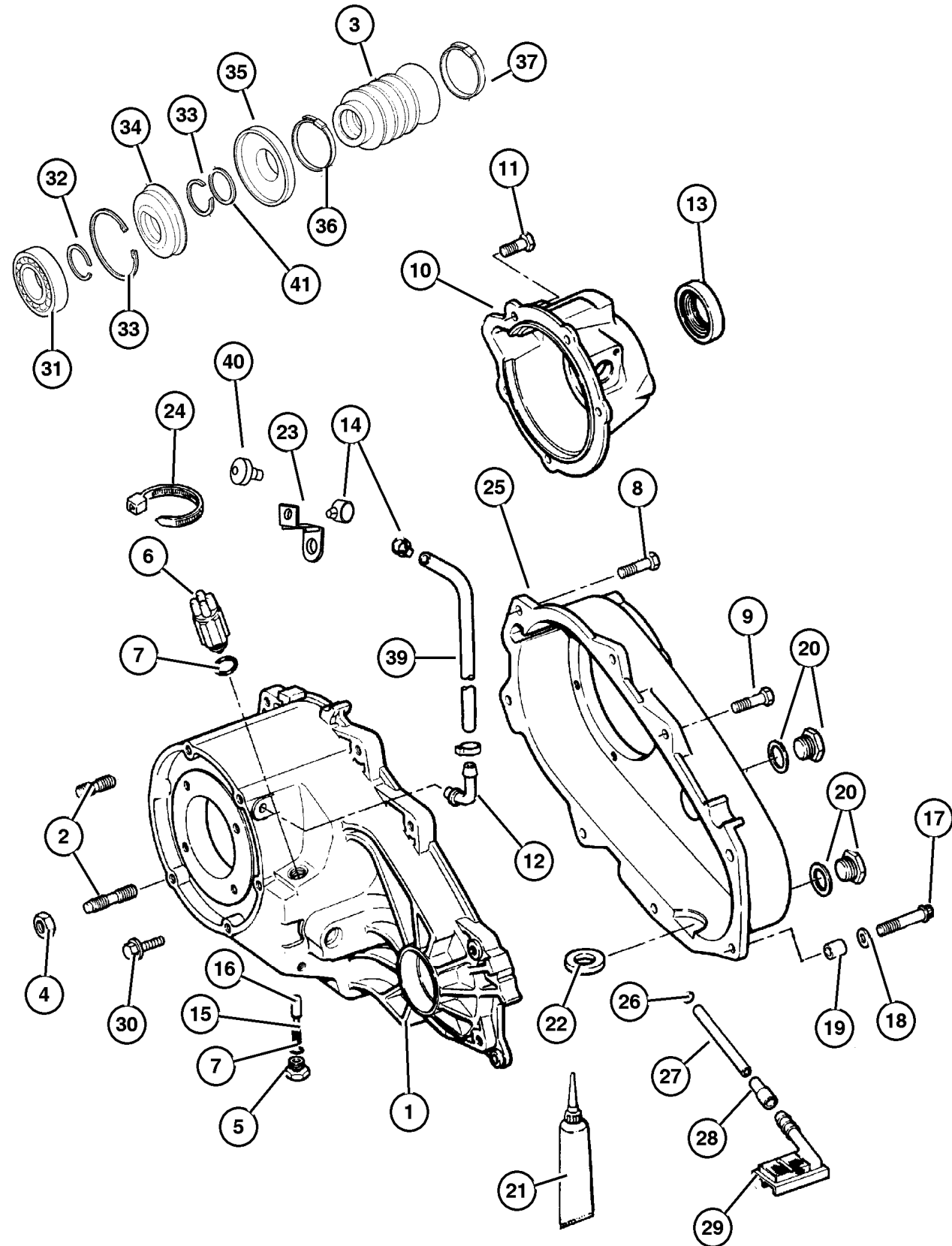
JEEP WRANGLER (TJ)

SERIES	LINE	BODY	ENGINE	TRANSMISSION
H = Sport	J = Wrangler 4WD	77 = 93.4 WB	EPE, EP0 = 2.5L Power Tech	DGG, DGD = 32RH 3 Spd. Auto.
L = SE	U = Wrangler 4WD (RHD)		ERH, ER0 = 4.0L Power Tech	DDQ = 5 Spd. Manual
M = X				DDD = 5 Speed HD Manual
P = Sahara				DG0 = Auto. Trans.
				DBB = Manual Trans.

AR = Use as required - = Non illustrated part # = New this model year

January 26, 2004

Case & Related Parts, Command Trac [DHN]
Figure 231-210



ITEM	PART NUMBER	QTY	LINE	SERIES	BODY	ENGINE	TRANS	TRIM	DESCRIPTION
		1				EP0	DBB		
17	4210 614	2				EP0, ER0	DG0		BOLT, Hex Flange Head
		2				ER0	DBB		
18	4210 983	2				EP0, ER0	DG0		WASHER, Flat
		2				ER0	DBB		
19	4116 310	2				EP0, ER0	DG0		DOWEL, Transfer Case
		2				EP0	DBB		
20	4856 641	1				EP0, ER0	DG0		PLUG, Oil Fill
		1				EP0	DBB		
21	5010 884AA	1				EP0, ER0	DG0		SEALANT, RTV
22	3681 601	1				EP0, ER0	DG0		MAGNET, Transmission, 52099211AB
23	5209 8522	1				EP0			BRACKET, Tube
24	5517 6444	2							STRAP, Retaining
25	4886 222AA	1				EP0, ER0	DG0		CASE, Transfer Rear, 52099211AB
26	4338 942	1				EP0, ER0	DG0		SEAL, Oil, 52099211AB
27	4338 941	1				EP0, ER0	DG0		TUBE, Oil Pickup, 52099211AB
28	4338 944	1				EP0, ER0	DG0		CONNECTOR, Oil Tube Pickup, 52099211AB
29	4338 943	1				EP0, ER0	DG0		FILTER, Transfer Case Oil, 52099211AB
30	4798 122	1				EP0, ER0	DG0		CLAMP, Boot
		1				EP0	DBB		

JEEP WRANGLER (TJ)

SERIES
H = Sport
L = SE
M = X
P = Sahara

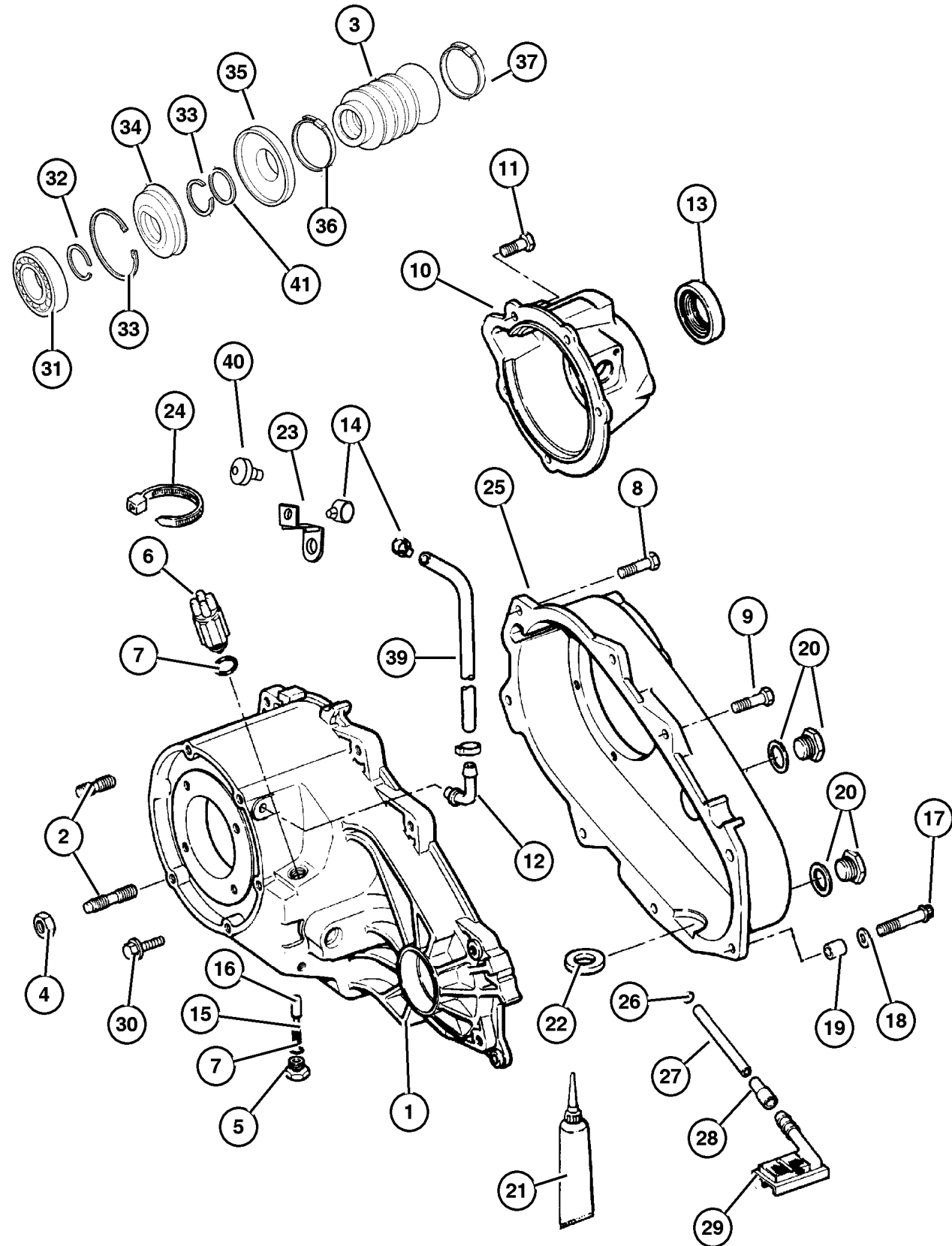
LINE
J = Wrangler 4WD
U = Wrangler 4WD (RHD)

BODY
77 = 93.4 WB

ENGINE
EPE, EP0 = 2.5L Power Tech
ERH, ER0 = 4.0L Power Tech

TRANSMISSION
DGG, DGD = 32RH 3 Spd. Auto.
DDQ = 5 Spd. Manual
DDD = 5 Speed HD Manual
DG0 = Auto. Trans.
DBB = Manual Trans.

Case & Related Parts, Command Trac [DHN]
Figure 231-210



ITEM	PART NUMBER	QTY	LINE	SERIES	BODY	ENGINE	TRANS	TRIM	DESCRIPTION
31	4338 892	1				EP0, ER0	DG0		BEARING, 52099211AB
32	4798 116	1				EP0, ER0	DG0		SNAP RING, 52099211AB
33	J813 4488	1				EP0, ER0	DG0		SNAP RING, 52099211AB
34	4798 117	1				EP0, ER0	DG0		SEAL, Output Shaft
35	5016 615AA	1				EP0, ER0	DG0		SLINGER, Oil
36	4798 121	1				EP0, ER0	DG0		CLAMP, Boot 52099211AB
37	4798 122	1				EP0, ER0	DBB DG0		52099364AB CLAMP, Boot, 52099211AB
-38	5017 819AA	1				ER0	DBB		DAMPER, Transfer Case
39	52105 882AA	1							VENT, Transfer Case, Transfer Case Vent Hose To Breather Tube
40	4213 328	1							VENT, Cap
41									WASHER, Flat
	S243 6163	1				ER0	DBB		
		1				EP0	DBB		
		1				EP0, ER0	DG0		

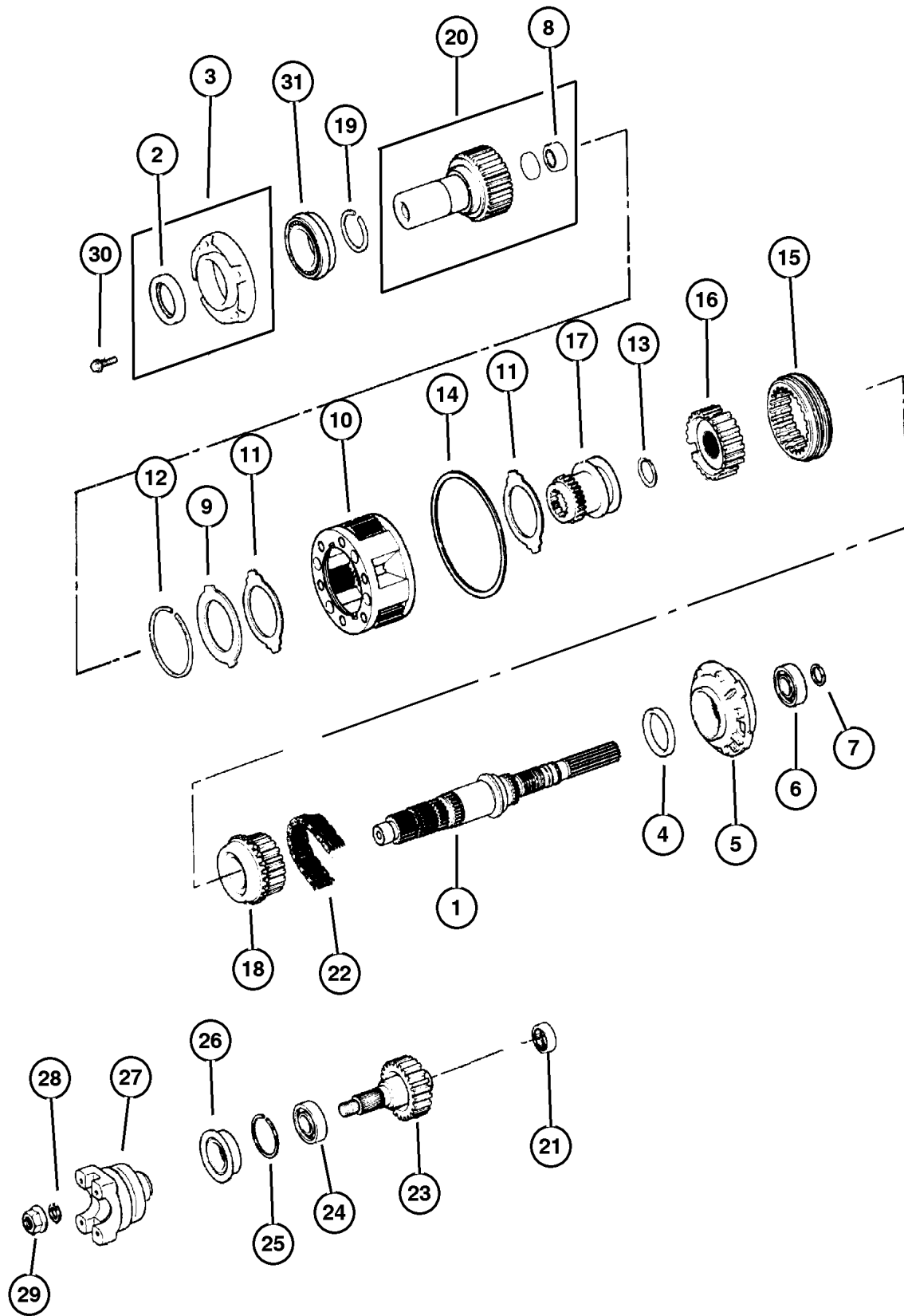
JEEP WRANGLER (TJ)

SERIES	LINE	BODY	ENGINE	TRANSMISSION
H = Sport	J = Wrangler 4WD	77 = 93.4 WB	EPE, EP0 = 2.5L Power Tech	DGG, DGD = 32RH 3 Spd. Auto.
L = SE	U = Wrangler 4WD (RHD)		ERH, ER0 = 4.0L Power Tech	DDQ = 5 Spd. Manual
M = X				DDD = 5 Speed HD Manual
P = Sahara				DG0 = Auto. Trans.
				DBB = Manual Trans.

AR = Use as required - = Non illustrated part # = New this model year

January 26, 2004

**Gear Train, Command Trac [DHN]
Figure 231-410**



ITEM	PART NUMBER	QTY	LINE	SERIES	BODY	ENGINE	TRANS	TRIM	DESCRIPTION
NOTE:									
Sales Codes:									
[DBB]=All Manual Transmissions									
[DG0]=All Automatic Transmissions									
[EP0]=All 2.5L 4 Cylinder Engine									
[ER0]=All 4.0L 6 Cylinder Engine									
1	5016 630AA	1				EP0, ER0	DG0		MAINSHAFT, Transfer Case
2	5086 384AA	1				EP0	DBB		SEAL, Input Gear
						ER0	DBB		
3	4167 929	1				EP0	DBB		RETAINER
						ER0	DBB		
4	4338 973	1				EP0, ER0	DG0		SEAL, Main Shaft
						EP0	DBB		
5	4210 603	1				ER0	DBB		PUMP, Transfer Case Oil
						EP0	DBB		
6	4338 936	1				EP0, ER0	DG0		BEARING
						EP0	DBB		
7	4338 892	1				ER0	DBB		SNAP RING
						EP0	DBB		
8	J813 4488	1				EP0, ER0	DG0		BEARING, Input Shaft
						EP0	DBB		
	8350 3507	1				EP0, ER0	DG0		

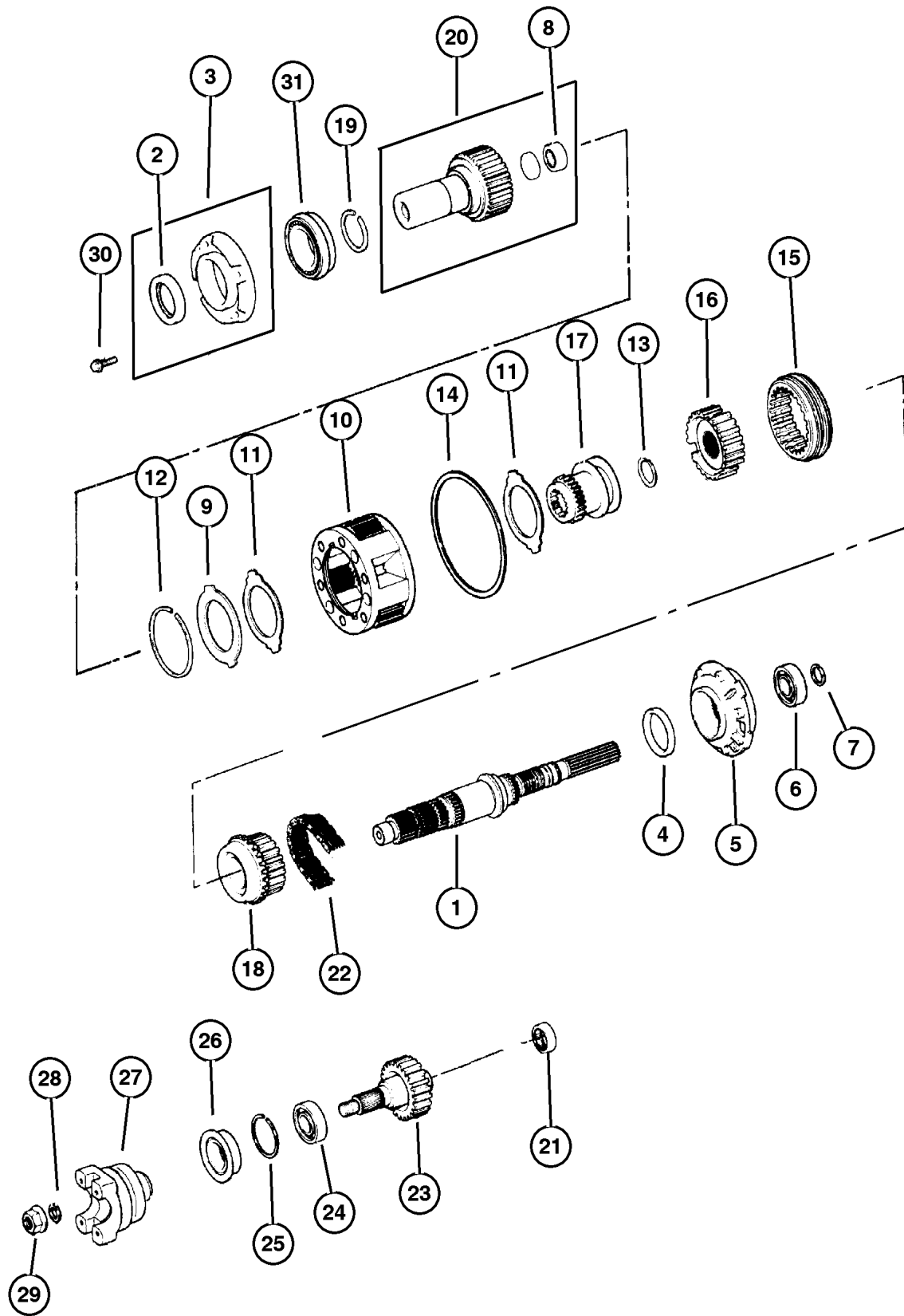
JEEP WRANGLER (TJ)

SERIES	LINE	BODY	ENGINE	TRANSMISSION
H = Sport	J = Wrangler 4WD	77 = 93.4 WB	EPE, EP0 = 2.5L Power Tech	DGG, DGD = 32RH 3 Spd. Auto.
L = SE	U = Wrangler 4WD (RHD)		ERH, ER0 = 4.0L Power Tech	DDQ = 5 Spd. Manual
M = X				DDD = 5 Speed HD Manual
P = Sahara				DG0 = Auto. Trans.
				DBB = Manual Trans.

AR = Use as required - = Non illustrated part # = New this model year

January 26, 2004

**Gear Train, Command Trac [DHN]
Figure 231-410**



ITEM	PART NUMBER	QTY	LINE	SERIES	BODY	ENGINE	TRANS	TRIM	DESCRIPTION
		1				EP0	DBB		
		1				ER0	DBB		
9	4338 909	1				EP0, ER0	DG0		RING
		1				EP0	DBB		
		1				ER0	DBB		
10	4796 903AB	1				EP0, ER0	DG0		PLANETARY, Transfer Case
		1				EP0	DBB		
		1				ER0	DBB		
11									THRUST WASHER, Planetary Carrier
	4338 908	2				EP0, ER0	DG0		
		2				EP0	DBB		
		2				ER0	DBB		
12	4338 910	1				EP0, ER0	DG0		SNAP RING
		1				EP0	DBB		
		1				ER0	DBB		
13	4338 933	1				EP0, ER0	DG0		SNAP RING
		1				EP0	DBB		
		1				ER0	DBB		
14	4219 065	1				EP0, ER0	DG0		SNAP RING, Annulus Gear
		1				EP0	DBB		
		1				ER0	DBB		
15	4796 909	1				EP0, ER0	DG0		SLEEVE, Mode Synchronizer
		1				EP0	DBB		
		1				ER0	DBB		
16	4741 240	1				EP0, ER0	DG0		HUB, Synchronizer Mode
		1				EP0	DBB		

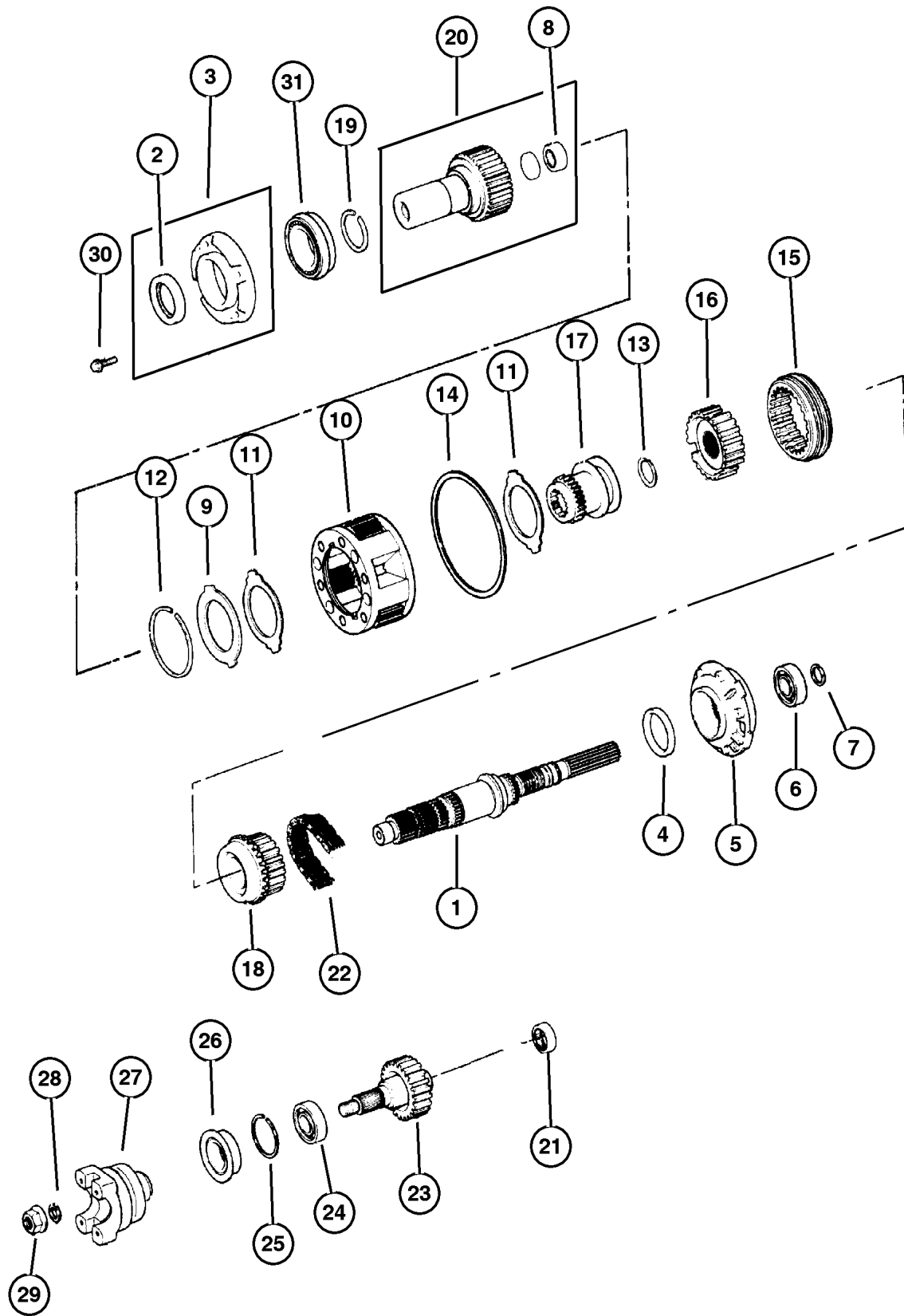
JEEP WRANGLER (TJ)

SERIES	LINE	BODY	ENGINE	TRANSMISSION
H = Sport	J = Wrangler 4WD	77 = 93.4 WB	EPE, EP0 = 2.5L Power Tech	DGG, DGD = 32RH 3 Spd. Auto.
L = SE	U = Wrangler 4WD (RHD)		ERH, ER0 = 4.0L Power Tech	DDQ = 5 Spd. Manual
M = X				DDD = 5 Speed HD Manual
P = Sahara				DG0 = Auto. Trans.
				DBB = Manual Trans.

AR = Use as required - = Non illustrated part # = New this model year

January 26, 2004

**Gear Train, Command Trac [DHN]
Figure 231-410**



ITEM	PART NUMBER	QTY	LINE	SERIES	BODY	ENGINE	TRANS	TRIM	DESCRIPTION
		1				ER0	DBB		
17	4797 013	1				EP0, ER0	DG0		SLEEVE, Shift Range
		1				EP0	DBB		
18	4796 908	1				ER0	DBB		SPROCKET, Transfer Case
		1				EP0, ER0	DG0		
19	3821 558	1				EP0, ER0	DBB		SNAP RING
		1				ER0	DBB		
20	4796 956	1				EP0	DBB		GEAR, Input
	4796 965	1				EP0, ER0	DG0		
		1				ER0	DBB		
21	4269 189	1				EP0, ER0	DG0		BEARING, Output Shaft
		1				EP0	DBB		
22	4338 935	1				ER0	DBB		CHAIN, Transfer Case
		1				EP0, ER0	DG0		
23	4338 934	1				EP0	DBB		OUTPUT SHAFT, Transfer Case
		1				ER0	DBB		
24	4338 892	1				EP0, ER0	DG0		BEARING
		1				EP0	DBB		
		1				ER0	DBB		
25									SNAP RING, Bearing

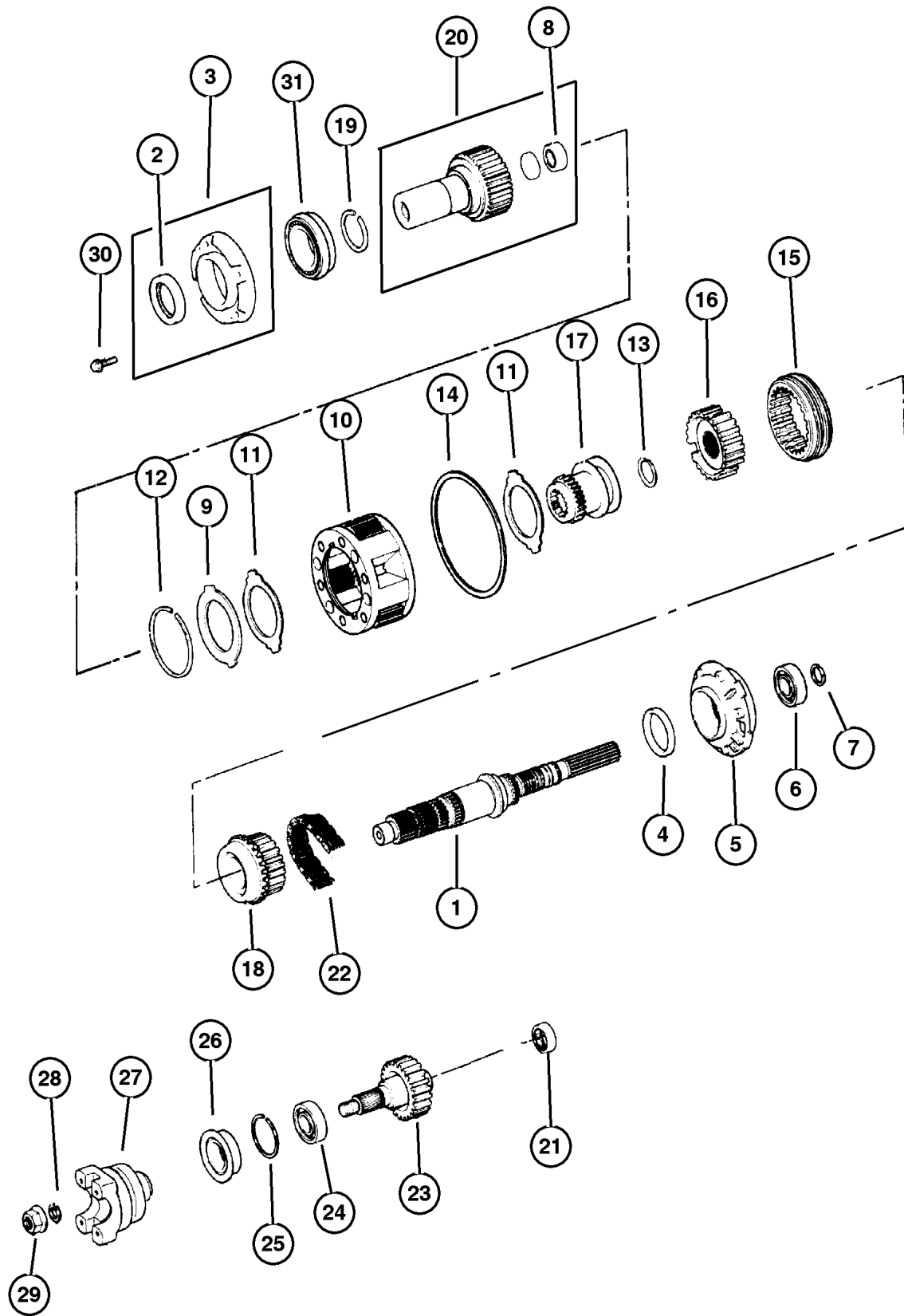
JEEP WRANGLER (TJ)

SERIES	LINE	BODY	ENGINE	TRANSMISSION
H = Sport	J = Wrangler 4WD	77 = 93.4 WB	EPE, EP0 = 2.5L Power Tech	DGG, DGD = 32RH 3 Spd. Auto.
L = SE	U = Wrangler 4WD (RHD)		ERH, ER0 = 4.0L Power Tech	DDQ = 5 Spd. Manual
M = X				DDD = 5 Speed HD Manual
P = Sahara				DG0 = Auto. Trans.
				DBB = Manual Trans.

AR = Use as required - = Non illustrated part # = New this model year

January 26, 2004

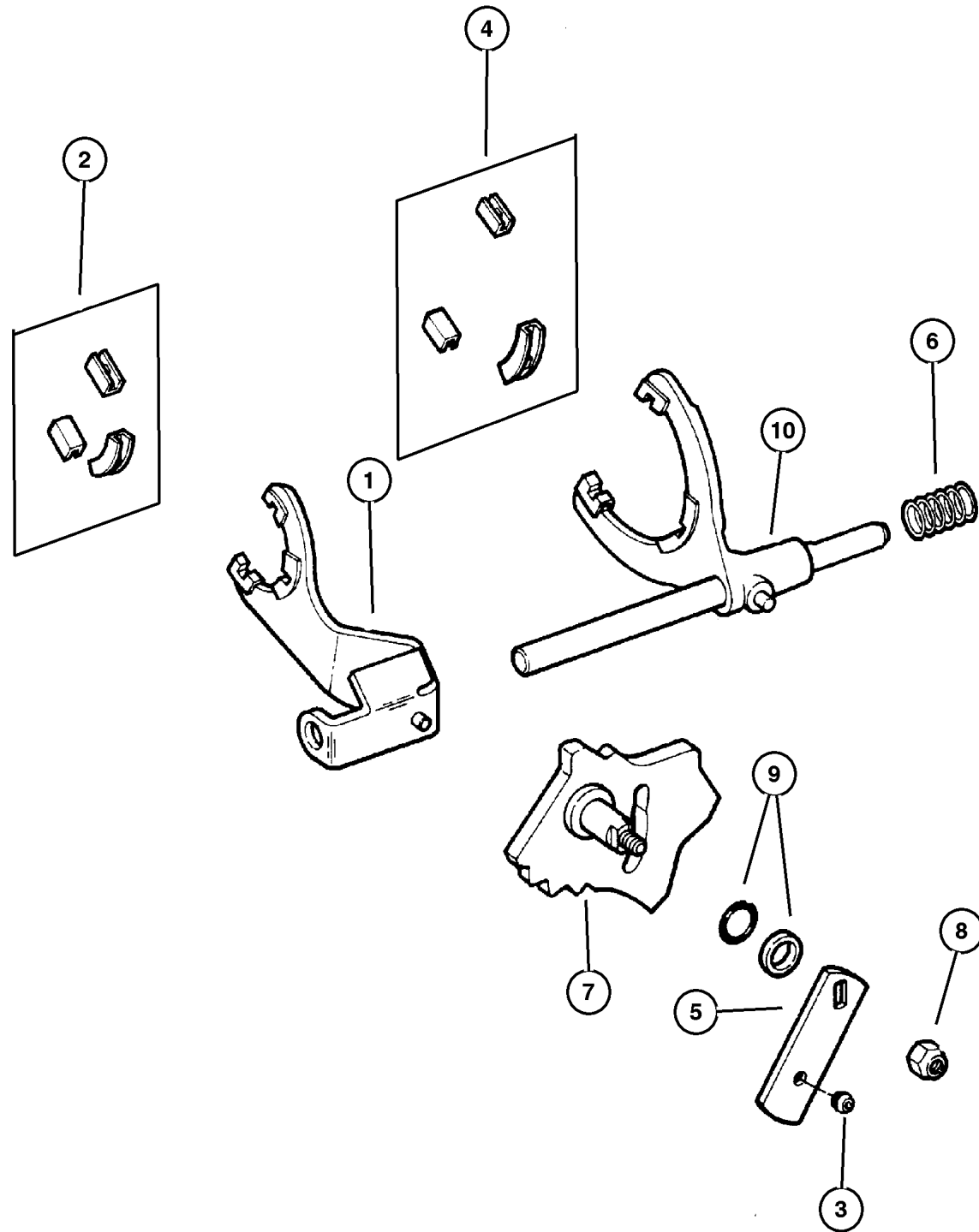
**Gear Train, Command Trac [DHN]
Figure 231-410**



ITEM	PART NUMBER	QTY	LINE	SERIES	BODY	ENGINE	TRANS	TRIM	DESCRIPTION
	4338 894	1				EP0, ER0	DG0		
		1				EP0	DBB		
		1				ER0	DBB		
26									SEAL
	4798 112	1				EP0, ER0	DG0		
		1				EP0	DBB		
		1				ER0	DBB		
27									YOKE, Transfer Case Output
	4798 120	1				EP0, ER0	DG0		
		1				EP0	DBB		
		1				ER0	DBB		
28									WASHER, Flat
	4446 487	1				EP0, ER0	DG0		
		1				EP0	DBB		
		1				ER0	DBB		
29									NUT, Hex Flange
	4446 488	1				EP0, ER0	DG0		
		1				EP0	DBB		
		1				ER0	DBB		
30									BOLT
	6500 318	5				EP0	DBB		
		5				ER0	DBB		
		5				EP0, ER0	DG0		
31									BEARING, Input Gear
	4746 155	1				EP0, ER0	DG0		
		1				EP0	DBB		
		1				ER0	DBB		

JEEP WRANGLER (TJ)
 SERIES LINE BODY ENGINE TRANSMISSION
 H = Sport J = Wrangler 4WD 77 = 93.4 WB EPE, EP0 = 2.5L Power Tech DGG, DGD = 32RH 3 Spd. Auto.
 L = SE U = Wrangler 4WD (RHD) ERH, ER0 = 4.0L Power Tech DDQ = 5 Spd. Manual
 M = X DDD = 5 Speed HD Manual
 P = Sahara DG0 = Auto. Trans.
 DBB = Manual Trans.

Forks & Rails, Command Trac [DHN]
Figure 231-910



ITEM	PART NUMBER	QTY	LINE	SERIES	BODY	ENGINE	TRANS	TRIM	DESCRIPTION	
NOTE:										
Sales Codes:										
[DBB]=All Manual Transmissions										
[DG0]=All Automatic Transmissions										
[EP0]=All 2.5L 4 Cylinder Gas Engines										
[ER0]=All 4.0L 6 Cylinder Gas Engines										
1	4741 237	1				EP0, ER0	DG0		FORK, Transfer Case Mode Shift	
2	4167 969	2				EP0, ER0	DG0		PAD, Shift Fork	
										DBB
3	5300 4810	1				EP0, ER0	DG0		BUSHING, Shift Lever	
										DBB
										DBB
										DG0
4	4219 073	1				EP0, ER0	DG0		PAD, Shift Fork	
										DBB
										DBB
5	4897 185AA	1				EP0, ER0	DG0		LEVER, Selector	
										DBB
6	4338 925	1				EP0, ER0	DG0		SPRING, Mode Shift Rail	
										DBB
7	4638 845	1				EP0, ER0	DG0		SECTOR, Transfer Case	
										DBB
										DBB
										DG0
8	J400 5142	2				EP0			NUT, Hex Flange Lock	
9									SEAL, O-Ring	

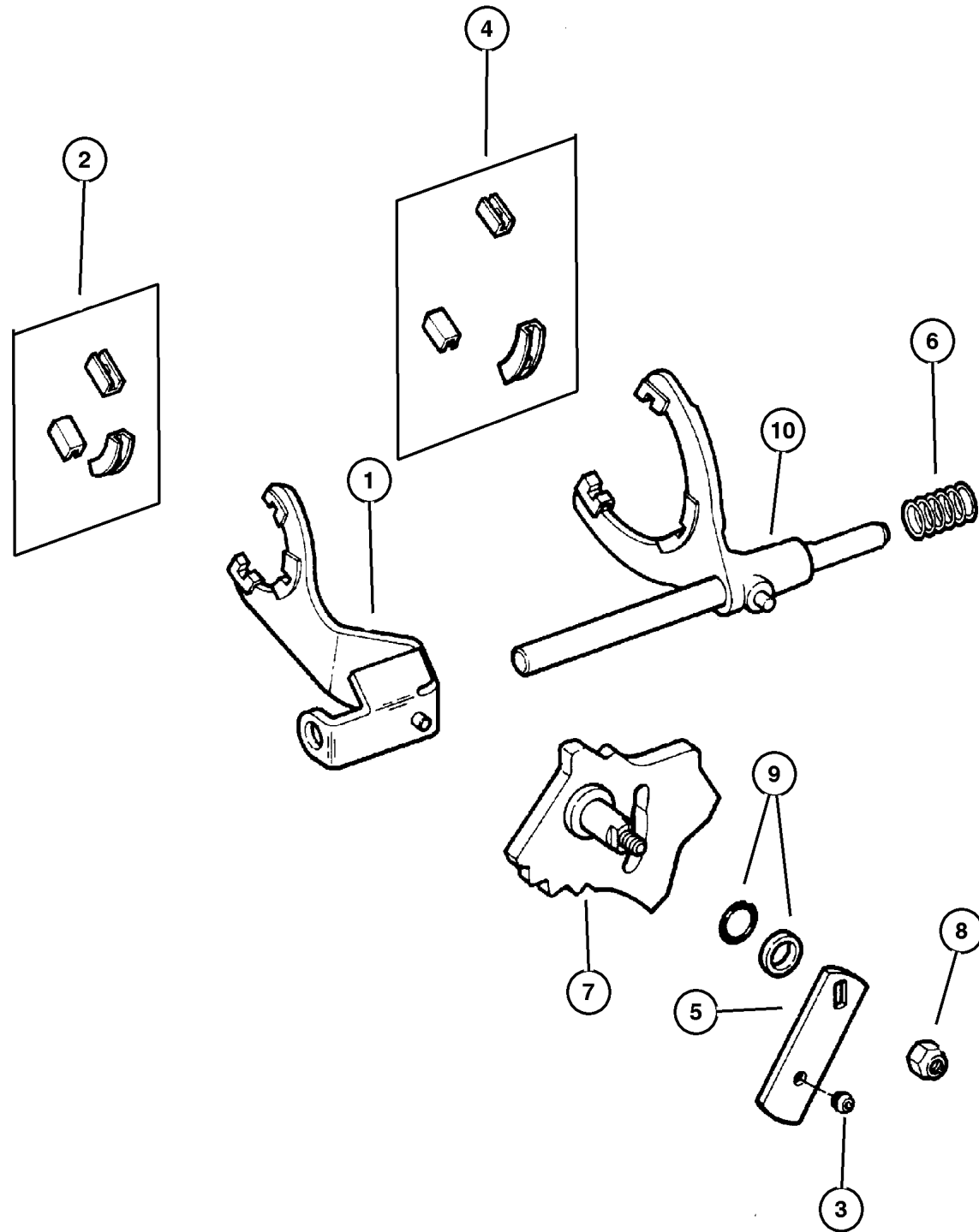
JEEP WRANGLER (TJ)

SERIES	LINE	BODY	ENGINE	TRANSMISSION
H = Sport	J = Wrangler 4WD	77 = 93.4 WB	EPE, EP0 = 2.5L Power Tech	DGG, DGD = 32RH 3 Spd. Auto.
L = SE	U = Wrangler 4WD (RHD)		ERH, ER0 = 4.0L Power Tech	DDQ = 5 Spd. Manual
M = X				DDD = 5 Speed HD Manual
P = Sahara				DG0 = Auto. Trans.
				DBB = Manual Trans.

AR = Use as required - = Non illustrated part # = New this model year

January 26, 2004

Forks & Rails, Command Trac [DHN]
Figure 231-910



ITEM	PART NUMBER	QTY	LINE	SERIES	BODY	ENGINE	TRANS	TRIM	DESCRIPTION
	4167 963	1				EP0,	DG0		
		1				ER0			
		1				EP0	DBB		
10		1				ER0	DBB		FORK, Range
	4798 136	1				ER0	DBB		
		1				EP0,	DG0		
		1				ER0			
		1				EP0	DBB		

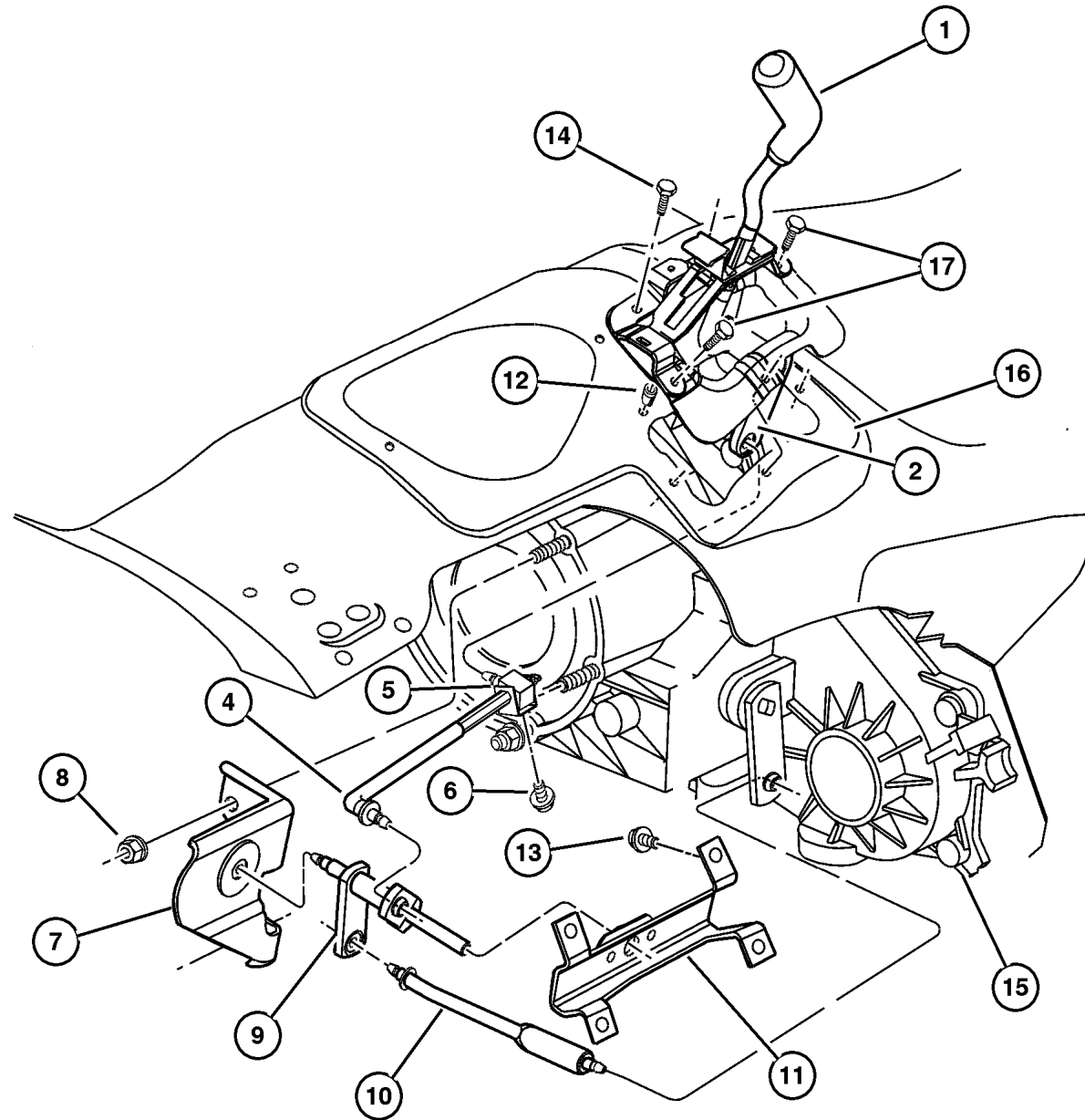
JEEP WRANGLER (TJ)

SERIES	LINE	BODY	ENGINE	TRANSMISSION
H = Sport	J = Wrangler 4WD	77 = 93.4 WB	EPE, EP0 = 2.5L Power Tech	DGG, DGD = 32RH 3 Spd. Auto.
L = SE	U = Wrangler 4WD (RHD)		ERH, ER0 = 4.0L Power Tech	DDQ = 5 Spd. Manual
M = X				DDD = 5 Speed HD Manual
P = Sahara				DG0 = Auto. Trans.
				DBB = Manual Trans.

AR = Use as required - = Non illustrated part # = New this model year

January 26, 2004

**Gearshift Controls, Command Trac [DHN]
Figure 231-1210**



ITEM	PART NUMBER	QTY	LINE	SERIES	BODY	ENGINE	TRANS	TRIM	DESCRIPTION
NOTE:									
Sales Codes:									
[DBB]=All Manual Transmissions									
[DD0]=All 5 Speed Manual Transmissions									
[DG0]=All Automatic Transmissions									
[EP0]=All 2.5L 4 Cylinder Engines									
[ER0]=All 4.0L 6 Cylinder Engines									
1									SHIFTER, Transfer Case
	52104 080AC	1	J						
	52104 081AC	1	U						
2									LEVER, Transfer Case Shifter
	53005 150AB	1	J						
		1	U						
-3									GROMMET
	3575 333	1	J						
		1	U						
4	5210 4073	1							ROD, Gear Shift Control, Transfer Case
5	4377 309	1							CLAMP, Shift Rod
6	J941 9683	1							BOLT, Hex Flange Head, .312-18x.625
7									BRACKET, Torque Shaft
	5207 8706	1				ER0	DG0		
		1				EP0			
	52078 910AB	1				ER0	DBB		
8									NUT AND CONED WASHER, Hex, .375-24
	J400 6681	6				EP0	DD0		
		6				EP0	DG0		
		6				ER0			
9	52078 872AC	1							ROD, Gear Shift Control, Transfer Case
10									ROD, Gear Shift Control, Transfer Case
	5207 8603	1				ER0	DG0		
		1				EP0			
	5207 8904	1				ER0	DBB		
11	52109 580AC	1							BRACKET, Transfer Case Shaft
12	6504 601	5							NUT, Rivet Round, M5x0.80x11.09
13	6503 811	4							BOLT, Hex Head, M6x1.00x20.00
14									SCREW, M5x.8x25, (NOT SERVICED) (Not Serviced)

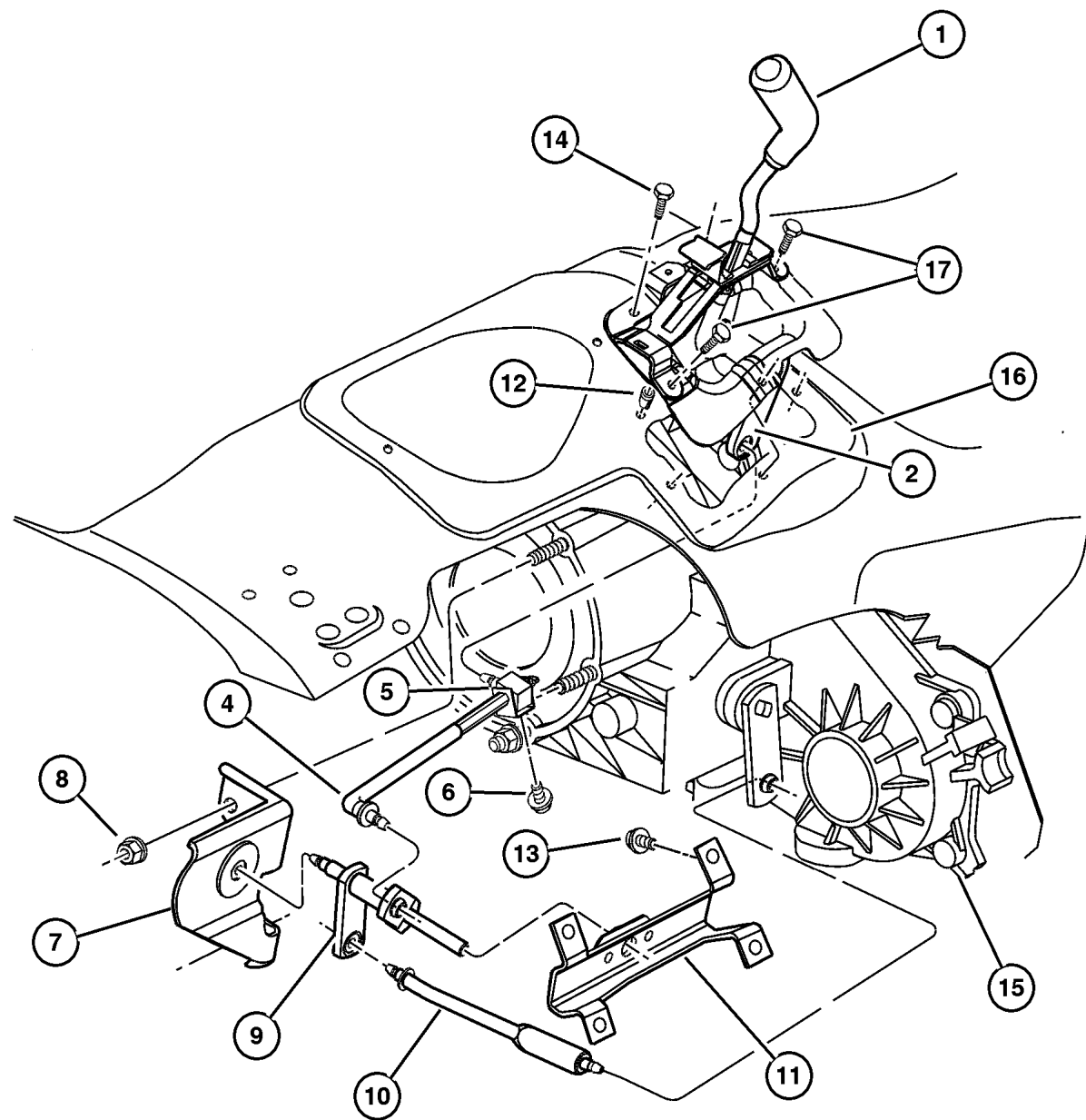
JEEP WRANGLER (TJ)

SERIES	LINE	BODY	ENGINE	TRANSMISSION
H = Sport	J = Wrangler 4WD	77 = 93.4 WB	EPE, EP0 = 2.5L Power Tech	DGG, DGD = 32RH 3 Spd. Auto.
L = SE	U = Wrangler 4WD (RHD)		ERH, ER0 = 4.0L Power Tech	DDQ = 5 Spd. Manual
M = X				DDD = 5 Speed HD Manual
P = Sahara				DG0 = Auto. Trans.
				DBB = Manual Trans.

AR = Use as required - = Non illustrated part # = New this model year

January 26, 2004

**Gearshift Controls, Command Trac [DHN]
Figure 231-1210**



ITEM	PART NUMBER	QTY	LINE	SERIES	BODY	ENGINE	TRANS	TRIM	DESCRIPTION
15									TRANSFER CASE, See Transfer Case Illustration, (NOT SERVICED) (Not Serviced)
16									SEAL, (NOT SERVICED) (Not Serviced)
17									SCREW, (NOT SERVICED) (Not Serviced)

JEEP WRANGLER (TJ)

SERIES	LINE	BODY	ENGINE	TRANSMISSION
H = Sport	J = Wrangler 4WD	77 = 93.4 WB	EPE, EP0 = 2.5L Power Tech	DGG, DGD = 32RH 3 Spd. Auto.
L = SE	U = Wrangler 4WD (RHD)		ERH, ER0 = 4.0L Power Tech	DDQ = 5 Spd. Manual
M = X				DDD = 5 Speed HD Manual
P = Sahara				DG0 = Auto. Trans.
				DBB = Manual Trans.

AR = Use as required - = Non illustrated part # = New this model year

January 26, 2004

Group – 21P

Speedometer Pinions

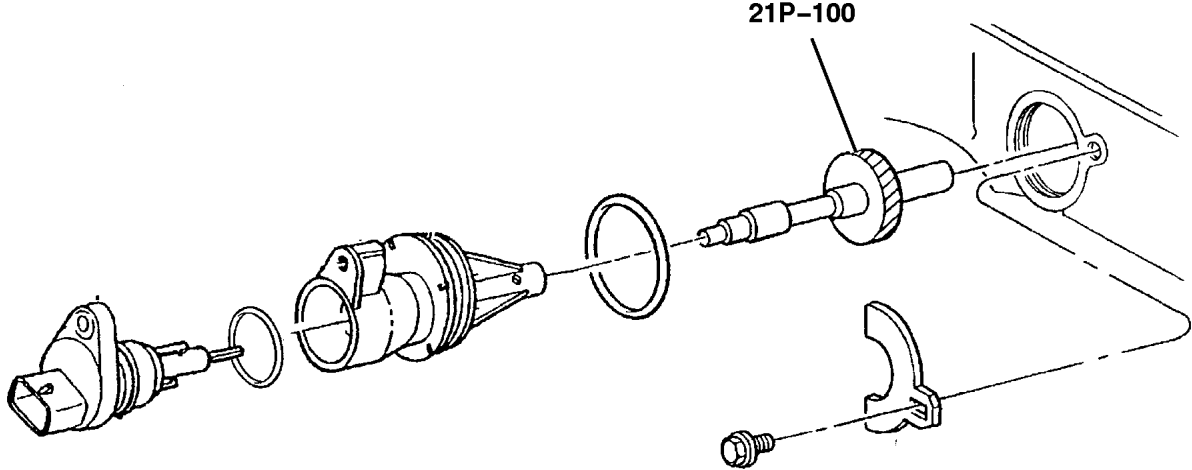
GROUP 21P - Speedometer Pinions

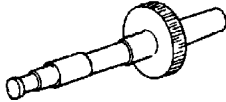
Illustration Title

Group-Fig. No.

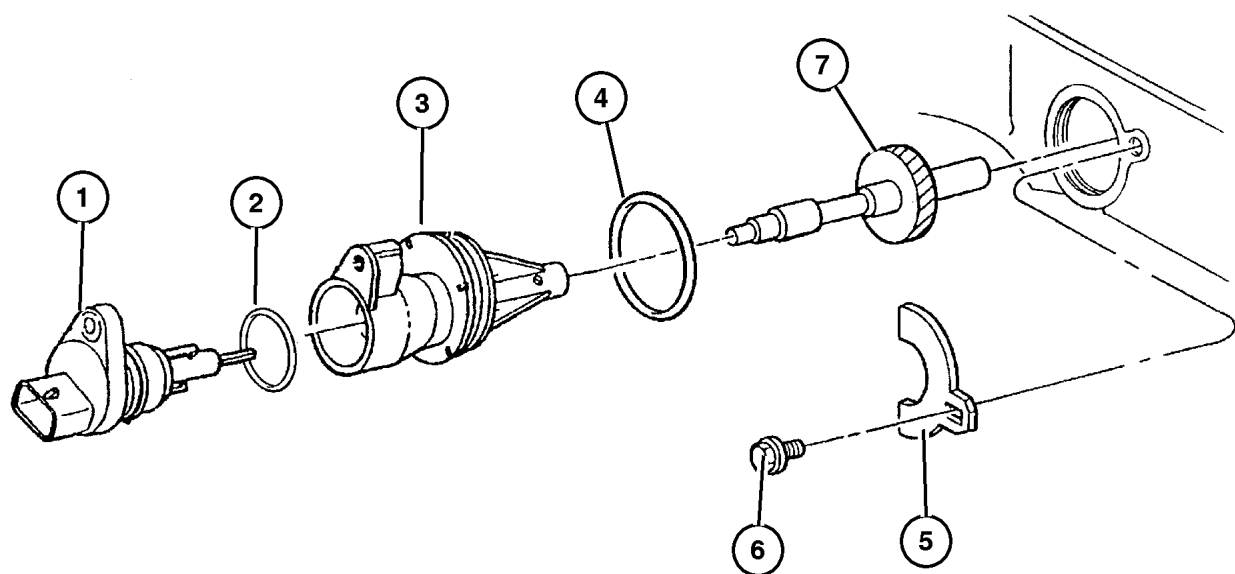
Speedometer Pinions

Speedometer Pinion & Housing Fig. 21P-110



<p>21P-100 Speedometer Pinions</p> 			
---	--	--	--

Speedometer Pinion & Housing Figure 21P-110



ITEM	PART NUMBER	QTY	LINE	SERIES	BODY	ENGINE	TRANS	TRIM	DESCRIPTION
NOTE:									
Sales Codes:									
[DGD]=3 Speed Automatic Transmission									
[DME]=3.73 Axle Ratio									
[DMF]=4.11 Axle Ratio									
[DMM]=3.07 Axle Ratio									
[TMS]=P215/75R15 Raised Black Letters Tire									
[TPN]=205/75R15 [Wrangler RT] Tire									
[TRK]=P225/70R16 Black Sidewall All Terrain Tire									
[TRN]=P225/70R16 Outside White Letter Tire									
[TUS]=30x9.5R15 Outside White Letter Tire									
[TZA]=[Goodyear] Brand Tire									
[TM0]=All 215 Size Tires									
[TP0]=All 205 Size Tires									
[TR0]=All 225,245,255, R15/R16 Tires									
1	5602 7905	1							SENSOR, Vehicle Speed
2	5602 8182	1							O RING
3	5206 9315	1							HOUSING, Speedometer Drive Gear
4	6035 709	1							O RING, Trans Speedo Adapter
5	2892 399	1							CLAMP, Speedometer
6	0180 077	1							BOLT, Hex Head, 5/16x18x3/4
7									PINION, Speedometer Drive
	5206 7628	1							With [TUS+DMM]
	5206 7630	1							With [TM0+DMM]
	5206 7635	1							With [TRK+DME]
	5206 7637	1							With [TUS+DMF]
	5206 7638	1							With [TRK+DMF]
	5206 7629	1							With [TR0+DMM]
	5206 7631	1							With [TP0+DMM]
	5206 7634	1							With [TUS+DME+TZA]
	5206 7636	1							With [TRN+DME+TZA] Or [TMS+DME+TZA]
	5206 7637	1							With [TPN+DME+TZA] Or [TPN+DME+TZA]
	5206 7639	1							With [TRN+DMF]
	5206 7640	1							With [TM0+DMF]
	5206 7641	1							With [TP0+DMF]

JEEP WRANGLER (TJ)

SERIES	LINE	BODY	ENGINE	TRANSMISSION
H = Sport	J = Wrangler 4WD	77 = 93.4 WB	EPE, EP0 = 2.5L Power Tech	DGG, DGD = 32RH 3 Spd. Auto.
L = SE	U = Wrangler 4WD (RHD)		ERH, ER0 = 4.0L Power Tech	DDQ = 5 Spd. Manual
M = X				DDD = 5 Speed HD Manual
P = Sahara				DG0 = Auto. Trans.
				DBB = Manual Trans.

AR = Use as required - = Non illustrated part # = New this model year

January 26, 2004

Group – 022

Wheels, Covers and Jacks

GROUP 22 - Wheels, Covers and Jacks

Illustration Title

Group-Fig. No.

Wheels and Hardware

Wheels Fig. 022-110

Wheel Covers and Center Caps

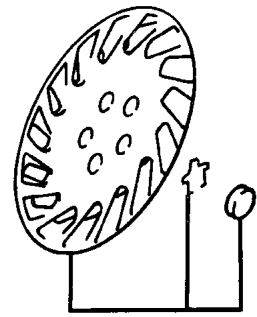
Caps And Covers Fig. 022-210

Jack Stowage

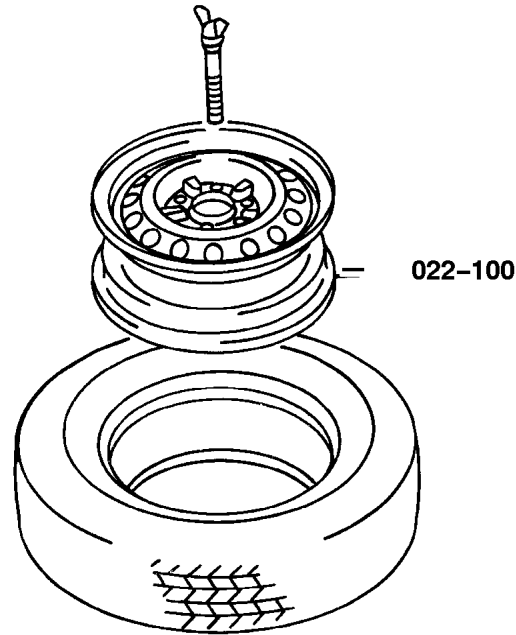
Jack And Storage Fig. 022-310

Spare Tire Stowage

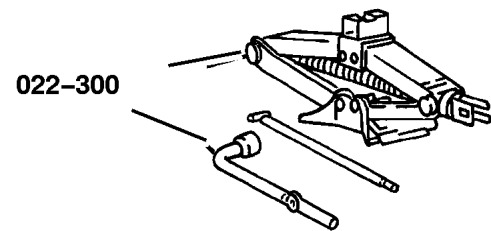
Wheel, Spare Tailgate Mounted Fig. 022-410




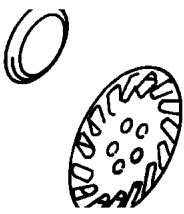
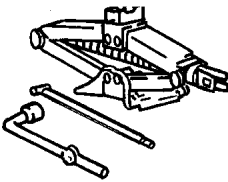
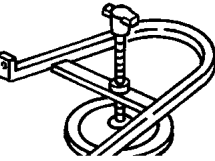
022-200



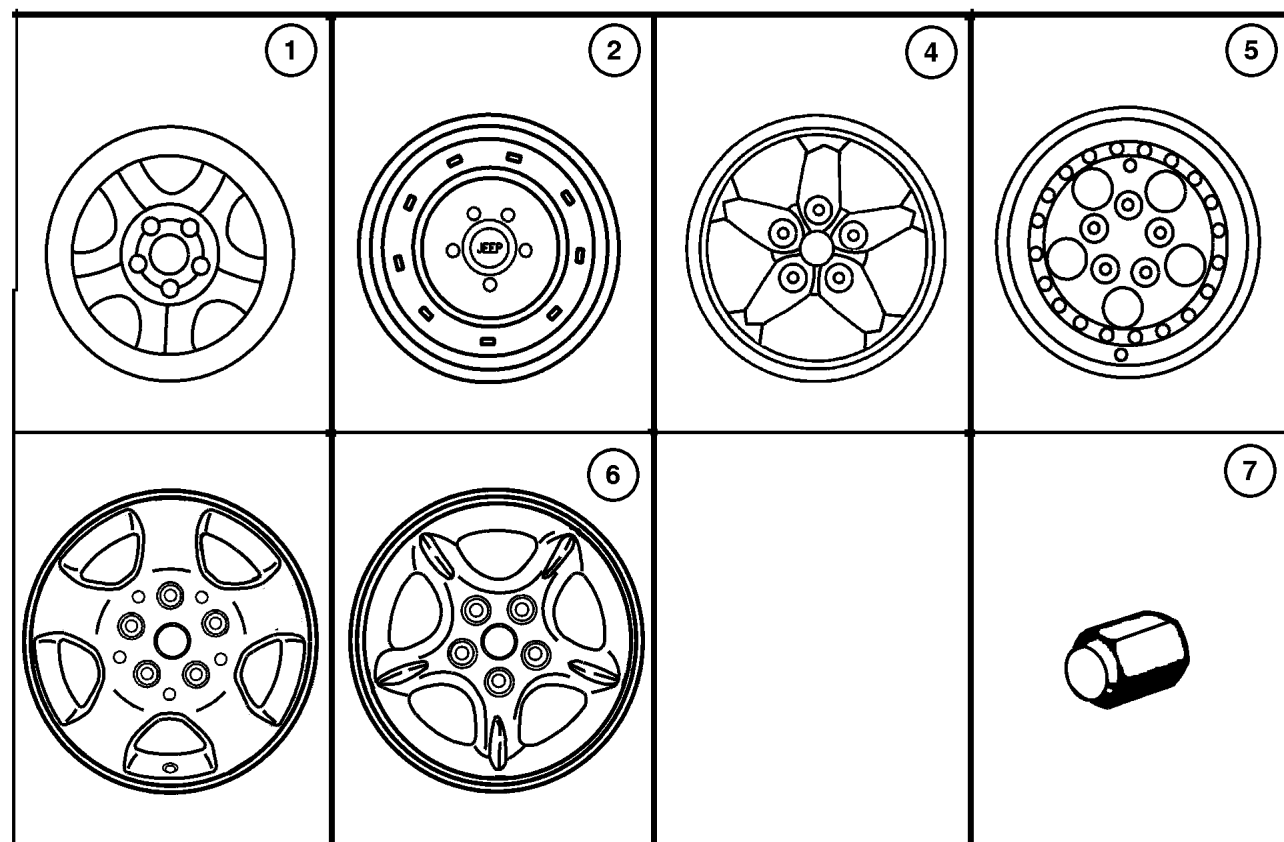
022-100



022-300

<p>022-100 Wheels and Hardware</p> 	<p>022-200 Wheel Covers and Center Caps</p> 	<p>022-300 Jack Stowage</p> 	<p>022-400 Spare Tire Stowage</p> 
---	--	---	--

Wheels Figure 022-110



ITEM	PART NUMBER	QTY	LINE	SERIES	BODY	ENGINE	TRANS	TRIM	DESCRIPTION
Note: Sales Code WJK = 15x6.0 Steel Wheels									
Note: Sales Code WJ5 = 15x7.0 Steel Wheels									
Note: Sales Code WJM = 15x7.0 Chrome Wheels									
Note: Sales Code WJ1 = 15x7.0 Aluminum Wheels									
Note: Sales Code WJ9 = 15x8.0 Aluminum Wheels									
Note: Sales Code WJU = 16x8.0 Aluminum Wheels									
1	5208 8140	1							WHEEL, Steel, 15x6 JJ Steel (WJK)
2	5FV63 S4AAD	4							WHEEL, Steel, 15x6 JJ Steel [WJ5]
-3	#52059 582AA	4							WHEEL, 15x7 [WJM] Chrome
4	5EE8 0TAE	4							WHEEL, Aluminum, 15x7 Aluminum [WJ1,WJW]
5	5GC81 TAEAA	4							WHEEL, Aluminum, 15x8 Aluminum (WJX)
6	5GR08 PAKAA	4							WHEEL, Aluminum, [WDF]
7	6036 310AA	23							NUT, Wheel, .50x20

JEEP WRANGLER (TJ)

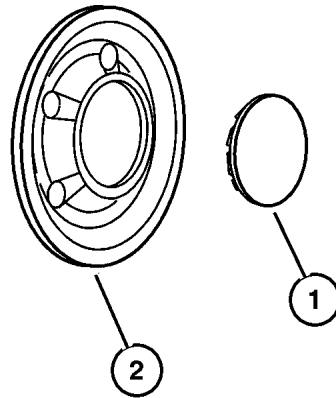
SERIES	LINE	BODY	ENGINE	TRANSMISSION
H = Sport	J = Wrangler 4WD	77 = 93.4 WB	EPE, EP0 = 2.5L Power Tech	DGG, DGD = 32RH 3 Spd. Auto.
L = SE	U = Wrangler 4WD (RHD)		ERH, ER0 = 4.0L Power Tech	DDQ = 5 Spd. Manual
M = X				DDD = 5 Speed HD Manual
P = Sahara				DG0 = Auto. Trans.
				DBB = Manual Trans.

AR = Use as required - = Non illustrated part # = New this model year

January 26, 2004

Caps And Covers
Figure 022-210

ITEM	PART NUMBER	QTY	LINE	SERIES	BODY	ENGINE	TRANS	TRIM	DESCRIPTION
Note: Sales Code WJW = 15x7.0 Aluminum Wheels									
Note: Sales Code WJ5 = 15x7.0 Steel Wheels									
Note: Sales Code WJK = 15x6.0 Steel Wheels									
Note: Sales Code WJX = 15x8.0 Aluminum Wheels									
1									CAP, Wheel Center
	5DY07 TAEAB	4							[WJW]
	#52059 583AA	4							[WJM]
2									CAP, Wheel Center
	5208 9008	4							[WJK]
	#5GL69 S4AAA	4							[WJ5]
-3	5CF9 7L3X	4							CAP, Wheel Center, Brushed Aluminum "Jeep" Name, [WJX]

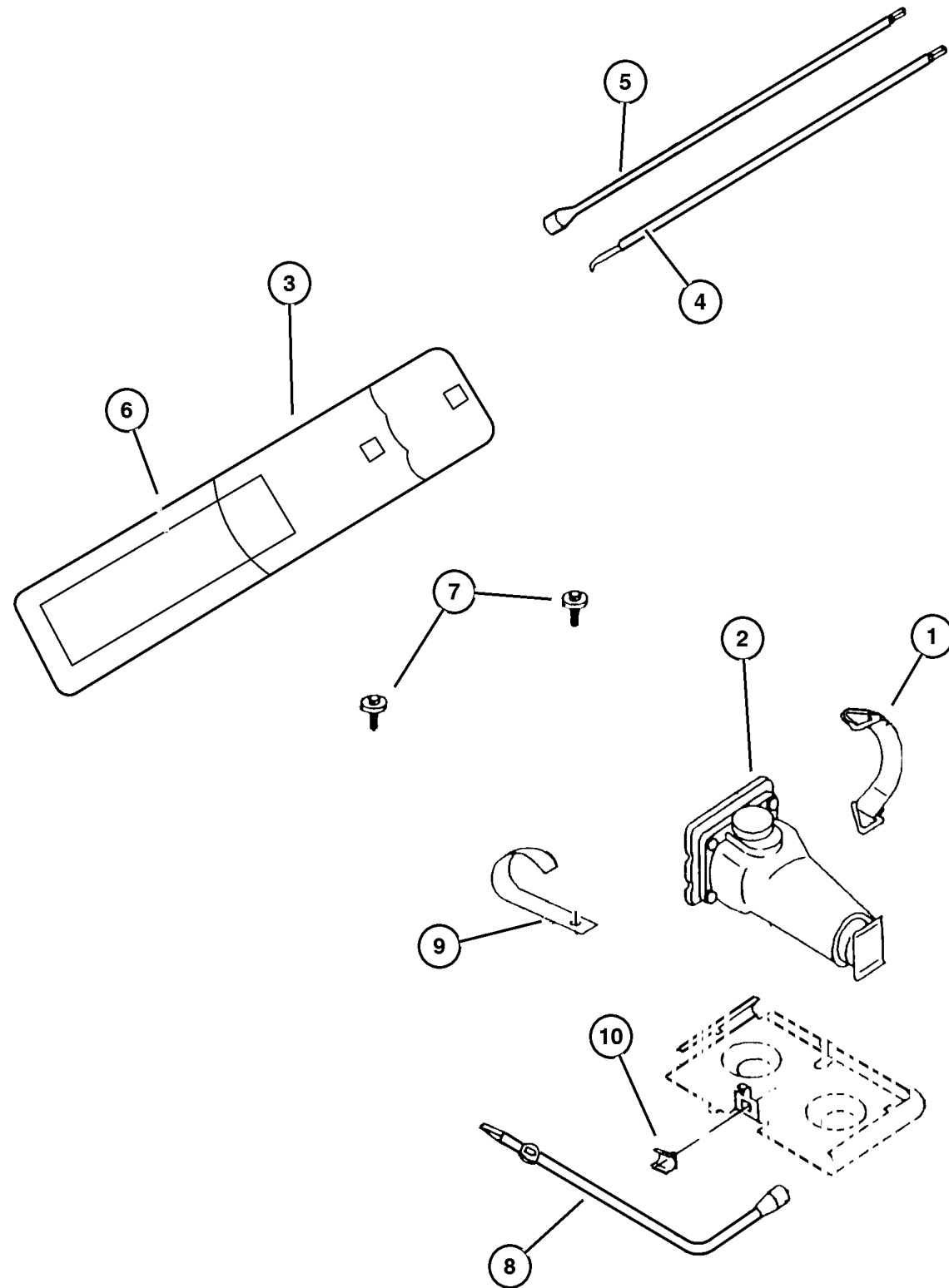


JEEP WRANGLER (TJ)				
SERIES	LINE	BODY	ENGINE	TRANSMISSION
H = Sport	J = Wrangler 4WD	77 = 93.4 WB	EPE, EP0 = 2.5L Power Tech	DGG, DGD = 32RH 3 Spd. Auto.
L = SE	U = Wrangler 4WD (RHD)		ERH, ER0 = 4.0L Power Tech	DDQ = 5 Spd. Manual
M = X				DDD = 5 Speed HD Manual
P = Sahara				DG0 = Auto. Trans.
				DBB = Manual Trans.

AR = Use as required - = Non illustrated part # = New this model year

January 26, 2004

Jack And Storage
Figure 022-310



ITEM	PART NUMBER	QTY	LINE	SERIES	BODY	ENGINE	TRANS	TRIM	DESCRIPTION
1	5203 8254	1							STRAP, Jack Storage
2	52058 912AB	1							JACK
3	52059 162AB	1							BAG, Jack Tool Storage
4	52058 905AB	1							EXTENSION, Jack Handle
5	52088 133AB	1							HANDLE, Jack
6									LABEL, Serviced in #3, (NOT SERVICED) (Not Serviced)
7	6504 616	2							SCREW, M4.2x1.41
8	5205 8907	1							WRENCH, Wheel Lug Nut
9	5205 9047	2							STRAP, Jack Tool Storage
10	6504 697	1							CLIP, Lug Wrench

JEEP WRANGLER (TJ)

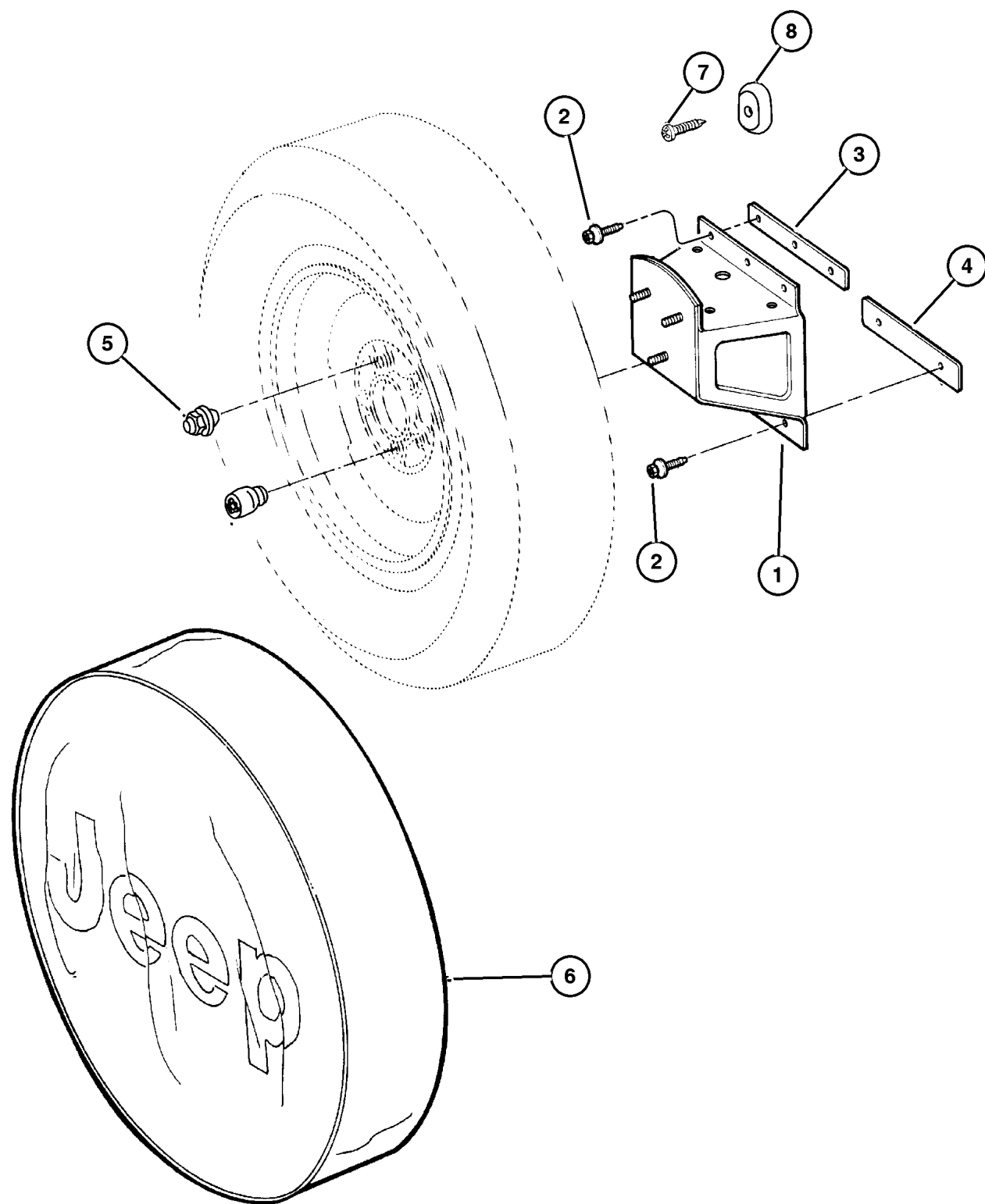
SERIES	LINE	BODY	ENGINE	TRANSMISSION
H = Sport	J = Wrangler 4WD	77 = 93.4 WB	EPE, EP0 = 2.5L Power Tech	DGG, DGD = 32RH 3 Spd. Auto.
L = SE	U = Wrangler 4WD (RHD)		ERH, ER0 = 4.0L Power Tech	DDQ = 5 Spd. Manual
M = X				DDD = 5 Speed HD Manual
P = Sahara				DG0 = Auto. Trans.
				DBB = Manual Trans.

AR = Use as required - = Non illustrated part # = New this model year

January 26, 2004

**Wheel, Spare Tailgate Mounted
Figure 022-410**

ITEM	PART NUMBER	QTY	LINE	SERIES	BODY	ENGINE	TRANS	TRIM	DESCRIPTION
1	55175 913AE	1							BRACKET, Spare Tire
2									SCREW AND WASHER, Hex Head, .312-18x1.125, (NOT SERVICED) (Not Serviced)
3	55010 841AB	1							GASKET, Spare Tire Bracket, Upper Carrier
4	55010 928AB	1							GASKET, Spare Tire Bracket, Lower Carrier
5	6036 310AA	23							NUT, Wheel, .50x20
6									COVER, Spare Tire
	5FF5 5TX7	1		H, L					Black, 'Saraha' Europe
	5GZ57 1K9AA	1		P					Brown, with [ACG] Tire Group
	5FF4 7TX7	1	J	H, L, M					
7									SCREW, (NOT SERVICED) (Not Serviced)
8	5501 3350	4							BUMPER, Spare Tire Impact
-9	5208 8515	1							NUT, Lock, .50-20



JEEP WRANGLER (TJ)

SERIES	LINE	BODY	ENGINE	TRANSMISSION
H = Sport	J = Wrangler 4WD	77 = 93.4 WB	EPE, EP0 = 2.5L Power Tech	DGG, DGD = 32RH 3 Spd. Auto.
L = SE	U = Wrangler 4WD (RHD)		ERH, ER0 = 4.0L Power Tech	DDQ = 5 Spd. Manual
M = X				DDD = 5 Speed HD Manual
P = Sahara				DG0 = Auto. Trans.
				DBB = Manual Trans.

AR = Use as required - = Non illustrated part # = New this model year

January 26, 2004

Group – 23D

Wiper/Lock Cylinder and Keys

GROUP 23D - Wiper/Lock Cylinder and Keys

Illustration Title

Group-Fig. No.

Lock Cylinders and Keys

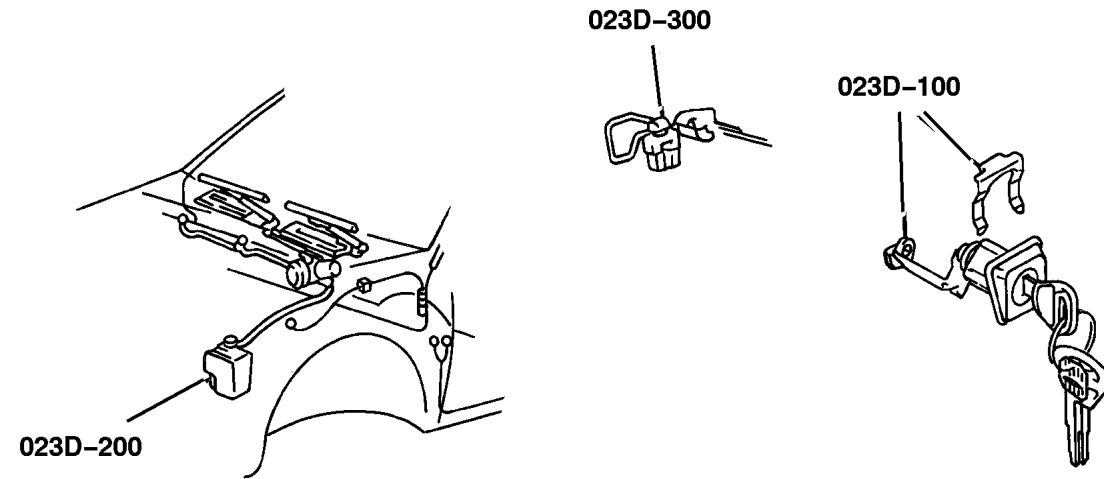
Lock Cylinders & Keys Fig. 23D-105

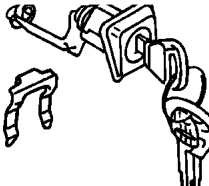
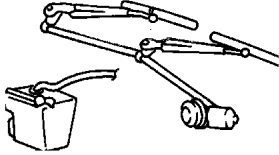
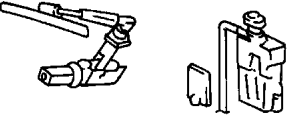
Windshield Wiper and Washer Systems

Wiper System Front Fig. 23D-205

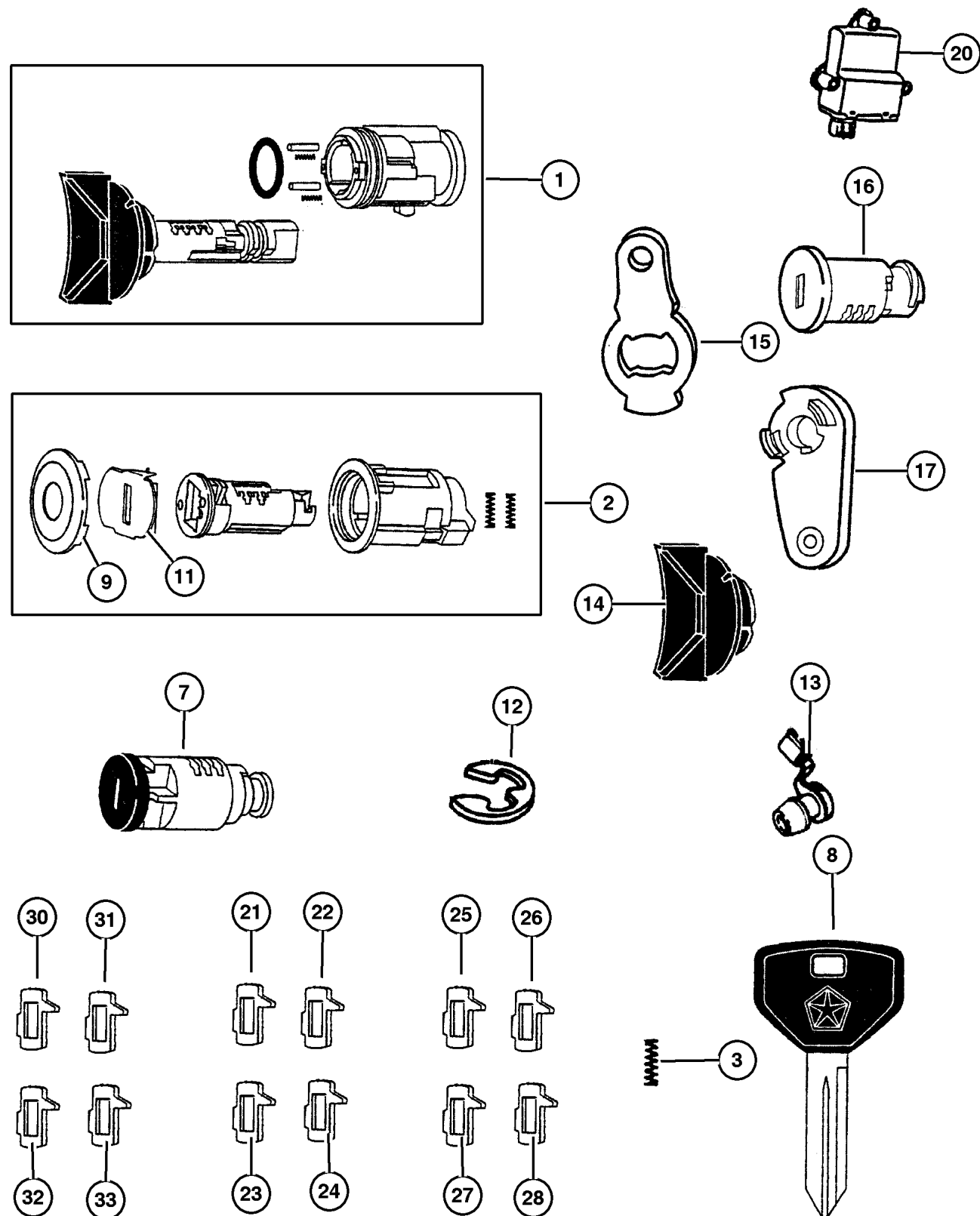
Rear Wiper and Washer System

Rear Wiper System Fig. 23D-305



<p>23D-100 Lock Cylinders and Keys</p> 	<p>23D-200 Windshield Wiper and Washer Systems</p> 	<p>23D-300 Rear Wiper and Washer System</p> 	
---	---	---	--

Lock Cylinders & Keys Figure 23D-105



ITEM	PART NUMBER	QTY	LINE	SERIES	BODY	ENGINE	TRANS	TRIM	DESCRIPTION
NOTE: ALL CYLINDERS ARE UNCODED									
1	5003 843AB	1							CYLINDER, Ignition Lock
2									CYLINDER, Door Lock, Doors & Tailgate
	5011 040AA	1							Half doors
	4864 651	1							Full doors
3	4378 793	1							SPRING, Cylinder Return
-4	5010 883AB	1							SPRING, Ignition Tumbler, Sidebar
-5	5523 5561	1							GASKET, Door Lock Cylinder, Black
-6	#55176 401AC	2							RETAINER, Door Lock Cylinder
7	4746 315	1							CYLINDER, Glove Box Lock
8									KEY, Master
	5018 699AA	2							Sentry Key
	5018 700AA	2							With Full Door & Full Floor Console
9	5257 148	1							CAP, Door Lock Cylinder, Black
-10	5257 152	1							CAP, Door Lock Cylinder, Bright
11	4778 150	1							SHUTTER, Door, Deck and Liftgate, Bright
12									CLIP, Retainer
	5019 285AA	4			J				Europe
		4			U				Europe
	6026 125	1							
13									CLIP, Latch
	4658 444	1							Purple
	4658 445	1							Orange
14									KNOB, Ignition Cylinder, Black Plastic, Serviced with Cylinder, (NOT SERVICED) (Not Serviced)
15	55075 824AB	1							LEVER, Door Lock Cylinder, Tailgate
16	4746 305	1							CYLINDER, Console Lock
17	5507 6307	1							LEVER, Door Lock
-18	4717 288	1							LEVER, Front Door Cylinder
-19	5529 5904	2							RETAINER, Door Cylinder To Handle
20	56010 209AB	1							MODULE, Immobilizer
21	5010 879AA	1							TUMBLER, Ignition Number 1, Sidebar
22	5010 880AA	1							TUMBLER, Ignition Number 2, Sidebar
23	5010 881AA	1							TUMBLER, Ignition Number 3, Sidebar
24	5010 882AA	1							TUMBLER, Ignition Number 4, Sidebar
25	5257 132	1							TUMBLER, Ignition Number 1

JEEP WRANGLER (TJ)

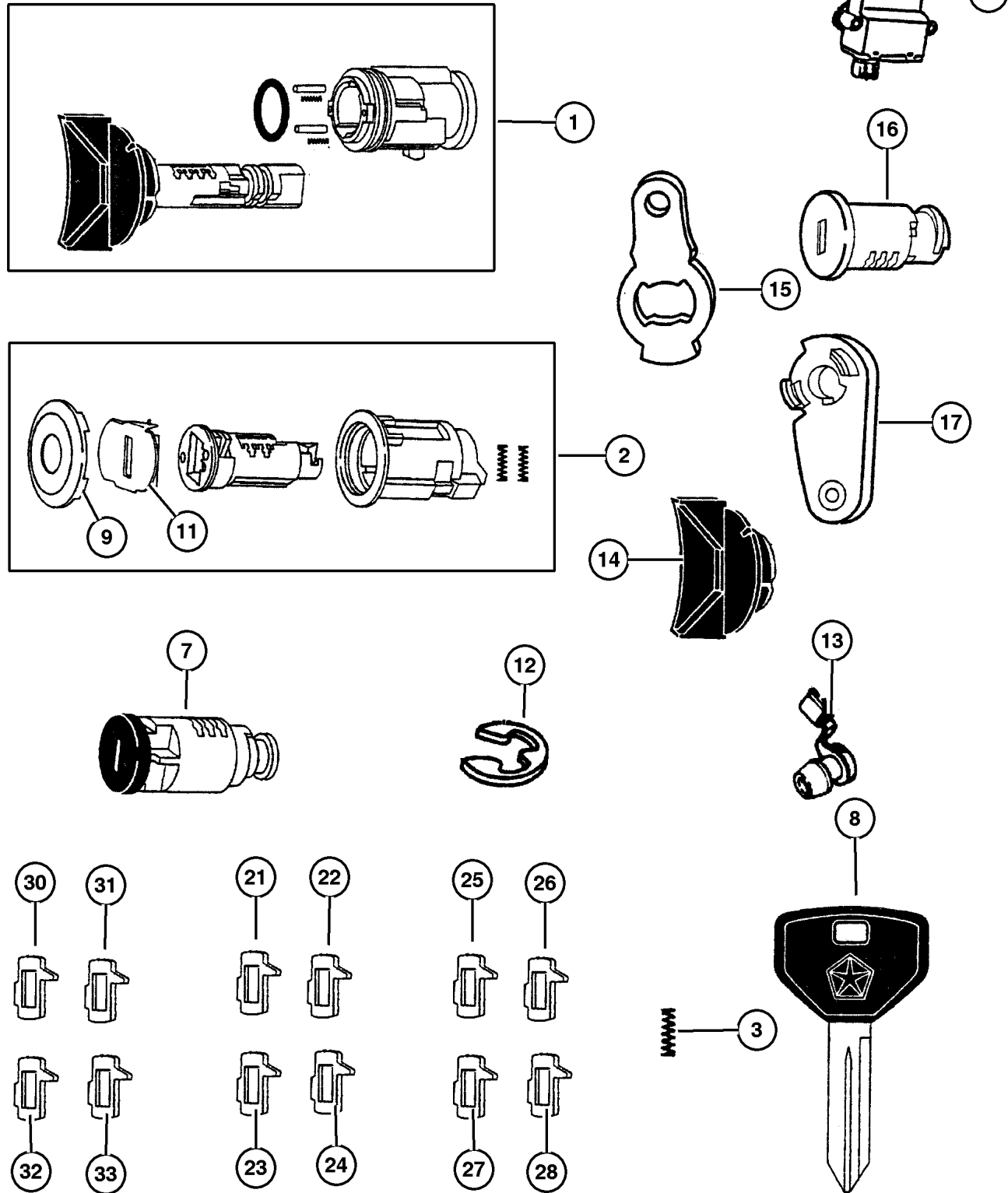
SERIES	LINE	BODY	ENGINE	TRANSMISSION
H = Sport	J = Wrangler 4WD	77 = 93.4 WB	EPE, EP0 = 2.5L Power Tech	DGG, DGD = 32RH 3 Spd. Auto.
L = SE	U = Wrangler 4WD (RHD)		ERH, ER0 = 4.0L Power Tech	DDQ = 5 Spd. Manual
M = X				DDD = 5 Speed HD Manual
P = Sahara				DG0 = Auto. Trans.
				DBB = Manual Trans.

AR = Use as required - = Non illustrated part # = New this model year

January 26, 2004

Lock Cylinders & Keys Figure 23D-105

ITEM	PART NUMBER	QTY	LINE	SERIES	BODY	ENGINE	TRANS	TRIM	DESCRIPTION
26	5257 133	1							TUMBLER, Ignition Number 2
27	5257 134	1							TUMBLER, Ignition Number 3
28	5257 135	1							TUMBLER, Ignition Number 4
-29	4778 121	1							SPRING, Door and Deck Tumbler
30	4778 117	1							TUMBLER, Door and Deck Number 1, Wide
31	4778 118	1							TUMBLER, Door and Deck Number 2, Wide
32	4778 119	1							TUMBLER, Door and Deck Number 3, Wide
33	4778 120	1							TUMBLER, Door and Deck Number 4, Wide
-34	4746 873	1							SPRING, Lock Cylinder Tumbler



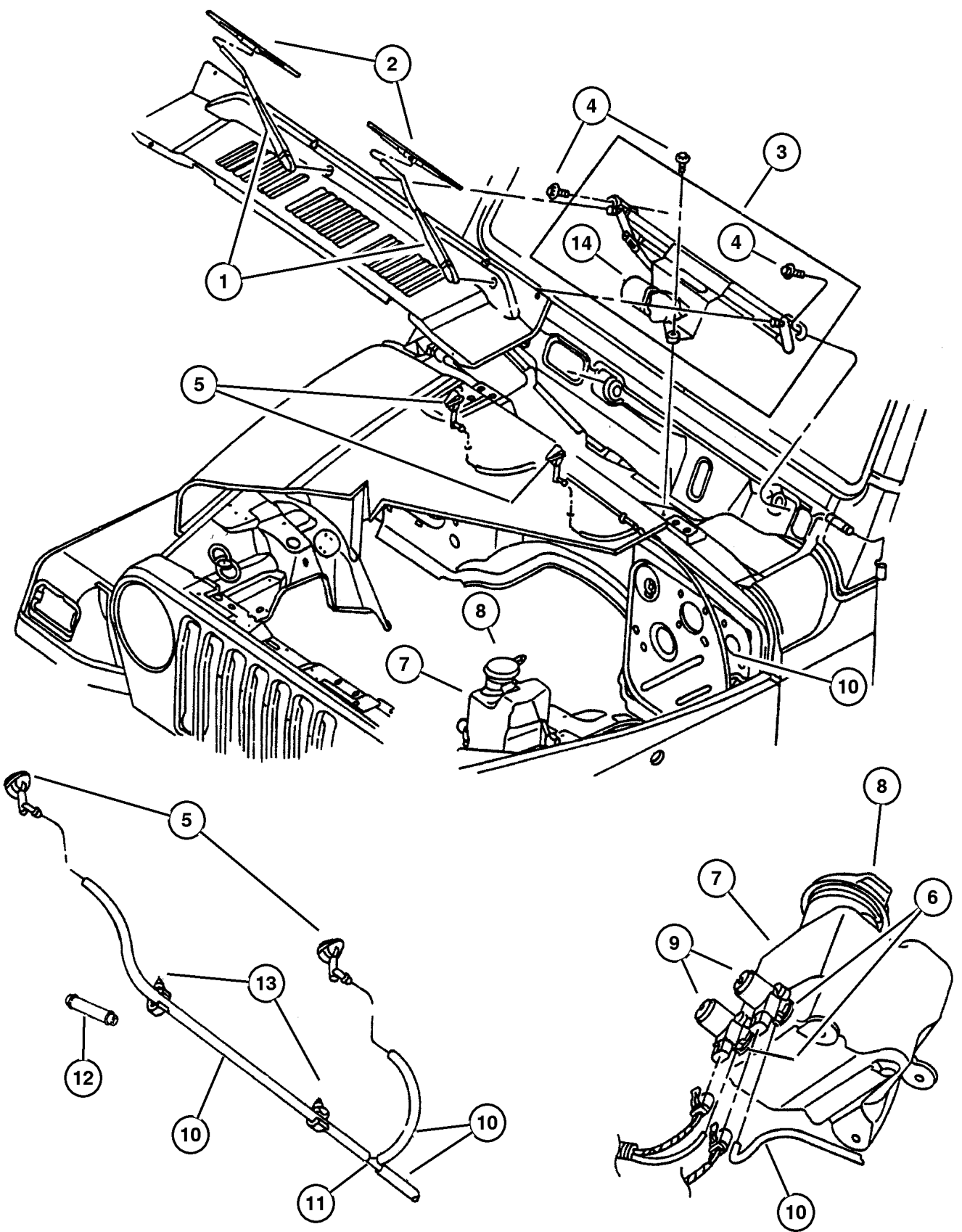
JEEP WRANGLER (TJ)			
SERIES	LINE	BODY	ENGINE
H = Sport	J = Wrangler 4WD	77 = 93.4 WB	EPE, EP0 = 2.5L Power Tech
L = SE	U = Wrangler 4WD (RHD)		ERH, ER0 = 4.0L Power Tech
M = X			
P = Sahara			
			TRANSMISSION
			DGG, DGD = 32RH 3 Spd. Auto.
			DDQ = 5 Spd. Manual
			DDD = 5 Speed HD Manual
			DG0 = Auto. Trans.
			DBB = Manual Trans.

AR = Use as required - = Non illustrated part # = New this model year

January 26, 2004

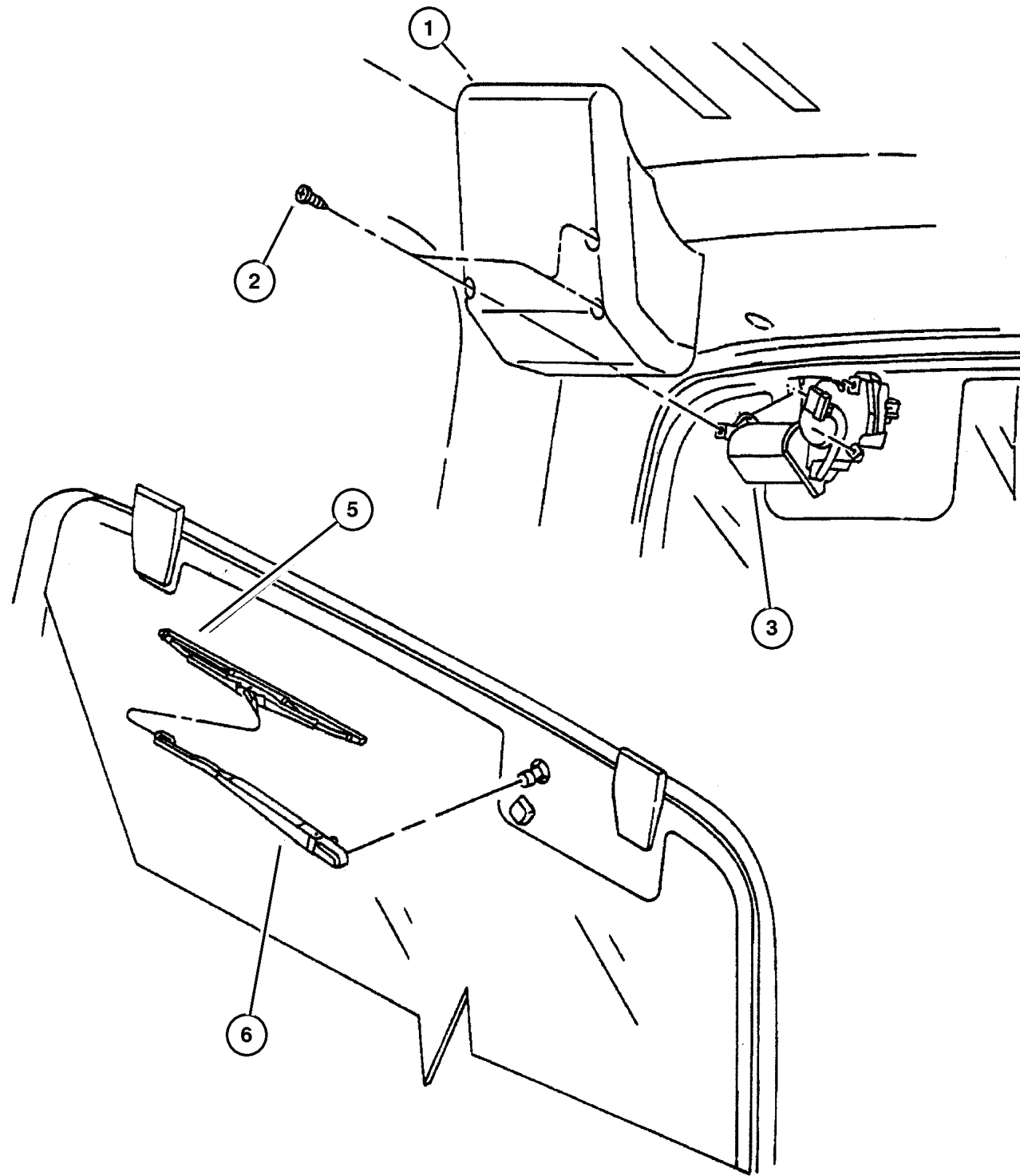
Wiper System Front
Figure 23D-205

ITEM	PART NUMBER	QTY	LINE	SERIES	BODY	ENGINE	TRANS	TRIM	DESCRIPTION
1									ARM, Wiper
	5515 5658	2	J						
	5515 5659	2	U						
2	55154 762AC	2							BLADE, Wiper
3									MODULE, Wiper
	5515 4766	1	J						
	5515 4768	1	U						
4	6100 568	3							BOLT AND WASHER, Implement Attaching
5									NOZZLE, Washer, Windshield
	5515 4938	2							Up to 12/03/01
	#55156 728AA	1							12/03/01 & After
6	5013 755AA	1							GROMMET, Washer Reservoir
7									RESERVOIR, Washer
	4874 393	1							With Dual Pump
	4874 394	1							With Single Pump
8	4874 395AC	1							CAP, Washer Reservoir Filler, With Gasket
9	4797 695	1							PUMP, Washer, Windshield
10	HWV0 0532	1							HOSE, Washer And Vacuum, 50 Foot Roll 5/32"
11	3671 410	1	J						TEE, Washer Hose
12									CHECK VALVE, Washer
	4805 010	2							Up to 12/03/01
	#55156 742AA	1							12/03/01 & After
13	5288 255	2							CLIP, Hood Washer Hose
14									MOTOR, Wiper
	4864 892	1	J						Windshield Wiper
		1	U						Windshield Wiper
-15	4805 409AA	2							CLIP, Washer Hose
-16	HWV00 532AB	1							HOSE 1FT, Windshield Washer, 5/32"
-17	HWV00 764AB	1							HOSE 1FT, Windshield Washer, 7/64"



JEEP WRANGLER (TJ)
 SERIES LINE BODY ENGINE TRANSMISSION
 H = Sport J = Wrangler 4WD 77 = 93.4 WB EPE, EP0 = 2.5L Power Tech DGG, DGD = 32RH 3 Spd. Auto.
 L = SE U = Wrangler 4WD (RHD) ERH, ER0 = 4.0L Power Tech DDQ = 5 Spd. Manual
 M = X DDD = 5 Speed HD Manual
 P = Sahara DG0 = Auto. Trans.
 DBB = Manual Trans.

Rear Wiper System Figure 23D-305



ITEM	PART NUMBER	QTY	LINE	SERIES	BODY	ENGINE	TRANS	TRIM	DESCRIPTION
1	5515 5030	1							COVER, Wiper Motor
2									SCREW, 164-18X.750 , (NOT SERVICED) (Not Serviced)
3	55155 322AC	1							MOTOR, Wiper
-4	4883 521AA	1							NUT, Rear Wiper Motor
5	5515 5445	1							BLADE, Wiper
6	5515 5660	1							ARM, Wiper, Rear
-7	4797 695	2							PUMP, Washer, Windshield, Rear
-8	5517 6464	1							GROMMET, Wiper Motor And Bracket
-9	4883 520AA	1							NOZZLE, Liftgate Washer
-10	5515 5457	1							CHECK VALVE, Washer
-11	5600 3982	1							PLUG, Sealing
-12	5515 4545	1							WASHER, Between Glass & Motor
-13	5515 4556	1							SPACER, Wiper Motor, Triangle Shaped
-14	5600 3682	1							NUT, Hex Flange, M16

JEEP WRANGLER (TJ)

SERIES	LINE	BODY	ENGINE	TRANSMISSION
H = Sport	J = Wrangler 4WD	77 = 93.4 WB	EPE, EP0 = 2.5L Power Tech	DGG, DGD = 32RH 3 Spd. Auto.
L = SE	U = Wrangler 4WD (RHD)		ERH, ER0 = 4.0L Power Tech	DDQ = 5 Spd. Manual
M = X				DDD = 5 Speed HD Manual
P = Sahara				DG0 = Auto. Trans.
				DBB = Manual Trans.

AR = Use as required - = Non illustrated part # = New this model year

January 26, 2004

Group – 024

Air Conditioning & Heater

GROUP 24 - Air Conditioning & Heater

Illustration Title

Group-Fig. No.

Air Conditioner and Heater Units

Hevac Unit, LHD Fig. 024-105

Hevac Unit, RHD Fig. 024-110

Air Conditioner and Heater Plumbing

Hoses, Heater 2.5L Engine, LHD Fig. 024-205

Hoses, Heater 2.5L Engine, RHD Fig. 024-210

Hoses, Heater 4.0L Engine, RHD Fig. 024-220

Plumbing, Hevac 2.5L Engine, LHD Fig. 024-225

Plumbing, Hevac 2.5L Engine, RHD Fig. 024-230

Plumbing, Hevac 4.0L Engine, LHD Fig. 024-235

Plumbing, Hevac 4.0L Engine, RHD Fig. 024-240

Seals, A/C Condenser Fig. 024-245

Air Conditioner and Heater Controls

Control, Heater And A/c Fig. 024-310

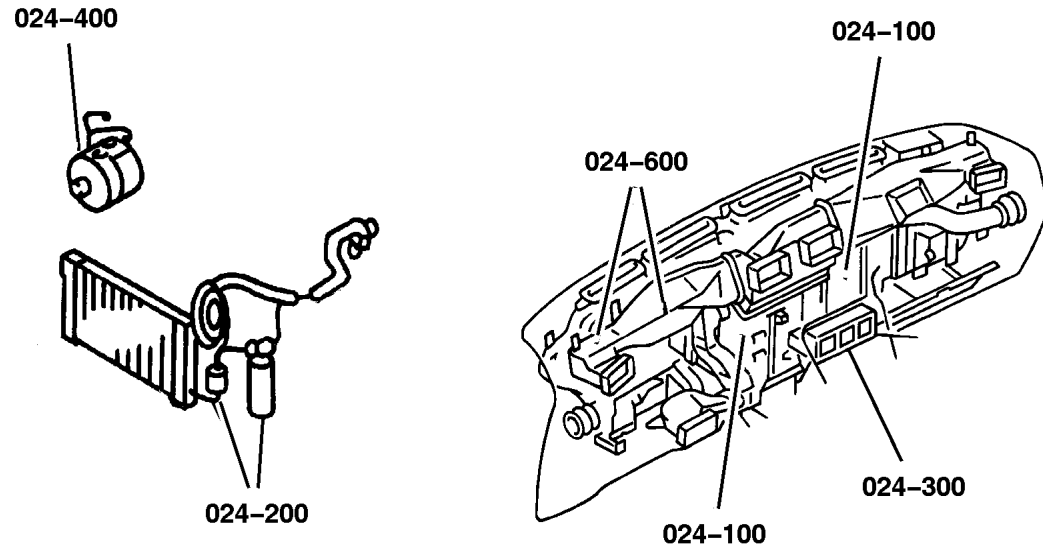
Air Conditioning Compressor

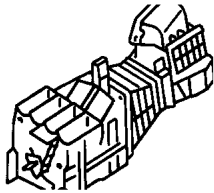
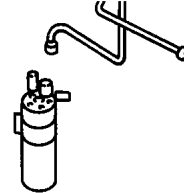
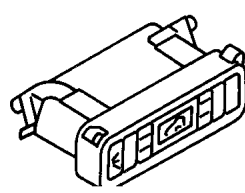
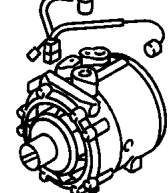
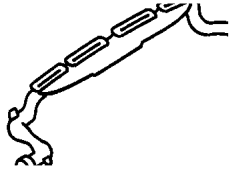
Compressor, Air Conditioning Fig. 024-410

Compressor, Mounting 4.0L Engine Fig. 024-420

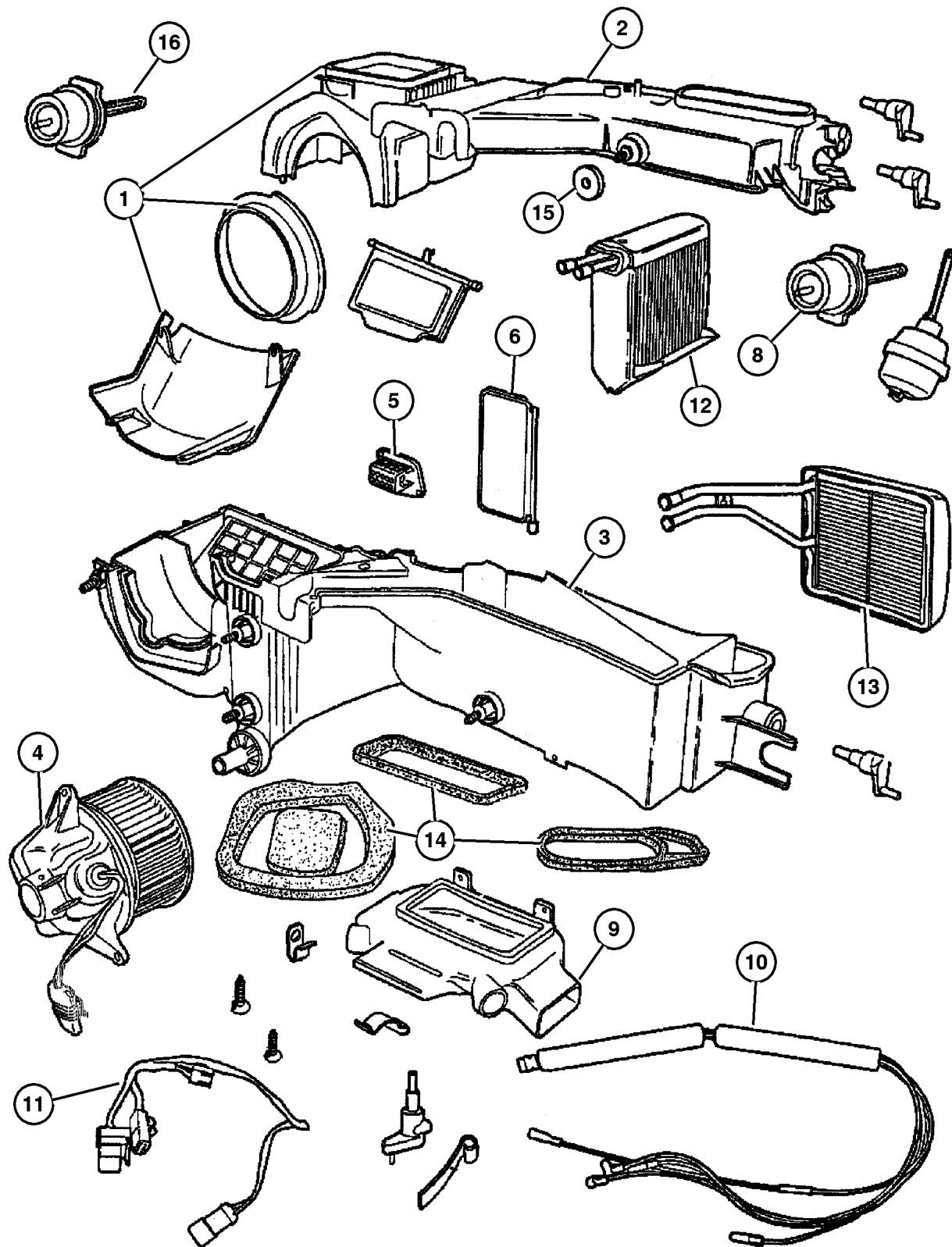
Air Ducts and Outlets

Ducts, Heater And A/c Fig. 024-610



<p>024-100 Air Conditioner and Heater Units</p> 	<p>024-200 Air Conditioner and Heater Plumbing</p> 	<p>024-300 Air Conditioner and Heater Controls</p> 	<p>024-400 Air Conditioning Compressor</p> 
<p>024-600 Air Ducts and Outlets</p> 			

Hevac Unit, LHD
Figure 024-105



ITEM	PART NUMBER	QTY	LINE	SERIES	BODY	ENGINE	TRANS	TRIM	DESCRIPTION
1	#5073 172AA	1	J						HOUSING, Air Inlet
2	#5073 175AA	1	J						HOUSING, A/C Upper
3	#5073 176AA	1	J						HOUSING, A/C Lower
4	#5066 553AA	1	J						MOTOR, Blower with Wheel
5	#5066 552AA	1	J						RESISTOR, A/C Heater
6	#5073 184AA	1	J						DOOR KIT, A/C And Heater, Includes Blend,Floor/Defrost,Panel Doors
-7	5013 741AA	1	J						ACTUATOR, Blend Door, Electric, Electric
8	#5073 181AA	1	J						ACTUATOR, A/C and Heater, Panel Door
9	#5066 518AA	1	J						ACTUATOR, A/C and Heater, Floor and Defrost
10	#5073 182AA	1	J						VACUUM HARNESS, Heater and A/C
11	#5073 183AA	1	J						HARNESS
12	#5073 178AA	1	J						EVAPORATOR, Air Conditioning
13	#5073 180AA	1	J						HEATER KIT, Heater Core Assembly
14	#5073 174AA	1	J						SEAL KIT, A/C And Heater Unit
15	5525 4848	4							WASHER, Sealing
16	#5073 173AA	1	J						ACTUATOR, A/C and Heater, Recirculating

JEEP WRANGLER (TJ)

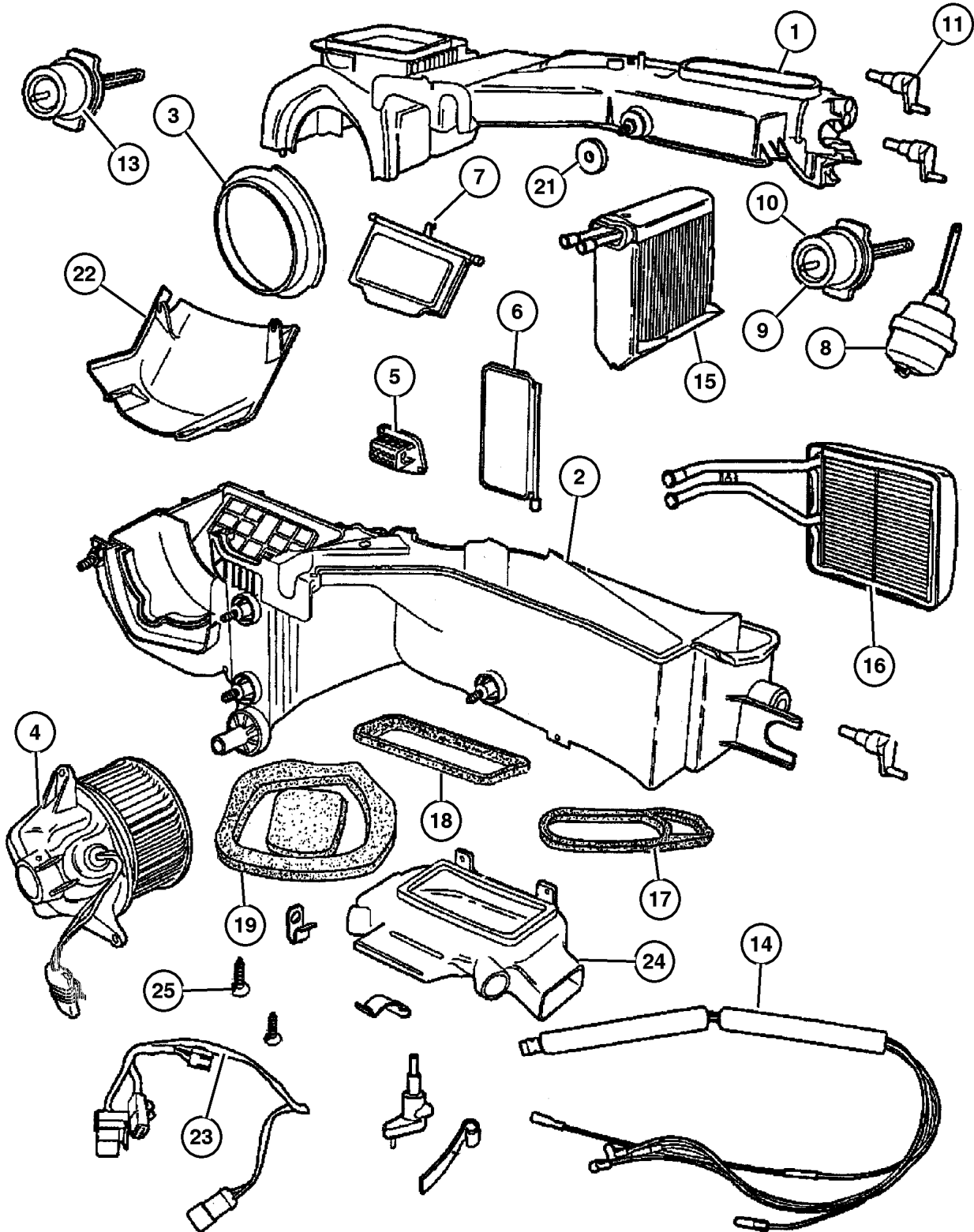
SERIES	LINE	BODY	ENGINE	TRANSMISSION
H = Sport	J = Wrangler 4WD	77 = 93.4 WB	EPE, EP0 = 2.5L Power Tech	DGG, DGD = 32RH 3 Spd. Auto.
L = SE	U = Wrangler 4WD (RHD)		ERH, ER0 = 4.0L Power Tech	DDQ = 5 Spd. Manual
M = X				DDD = 5 Speed HD Manual
P = Sahara				DG0 = Auto. Trans.
				DBB = Manual Trans.

AR = Use as required - = Non illustrated part # = New this model year

January 26, 2004

Hevac Unit, RHD
Figure 024-110

ITEM	PART NUMBER	QTY	LINE	SERIES	BODY	ENGINE	TRANS	TRIM	DESCRIPTION
1	5013 734AA	1	U						HOUSING, Heater
2	5013 738AA	1	U						HOUSING, A/C Lower
3	4864 951	1	U						RING
4	4864 956	1	U						BLOWER
5	4864 957	1	U						RESISTOR, Blower Motor
6	4897 611AA	1	U						DOOR, Blend Air
7	4864 993	1	U						DOOR, Fresh Air
8	4864 994	1	U						ACTUATOR, Vacuum
9	4864 995	1	U						ACTUATOR, Vacuum
10	5013 741AA	1	U						ACTUATOR, Blend Door
11	5013 743AA	1	U						ADAPTER, Blend Door, A/C and Heater
-12									BRACKET, Blend Door Adapter, A/C and Heater, Serviced with Housing, (NOT SERVICED) (Not Serviced)
13	4864 996	1	U						ACTUATOR, Vacuum
14	4864 998AC	1	U						HARNESS, Heater Vacuum
15	4874 044AC	1	U						EVAPORATOR KIT, A/C
16	4874 046	1	U						CORE, Heater
17	4874 066	1	U						SEAL, Defroster Duct
18	4874 068	1	U						SEAL, Vent
19	4874 072AB	1	U						SEAL KIT, A/C And Heater Unit
-20	4874 072AB	1	U						SEAL KIT, A/C And Heater Unit
21	5525 4848	4							WASHER, Sealing
22	4874 079	1	U						COVER, Recirculating Valve
23	5013 744AA	1	U						WIRING, Air Conditioning Module
24	4874 089	1	U						DUCT, Floor Distribution
25									SCREW, Hex Head, M4.8-1.59x19, (NOT SERVICED) (Not Serviced)



JEEP WRANGLER (TJ)

SERIES
H = Sport
L = SE
M = X
P = Sahara

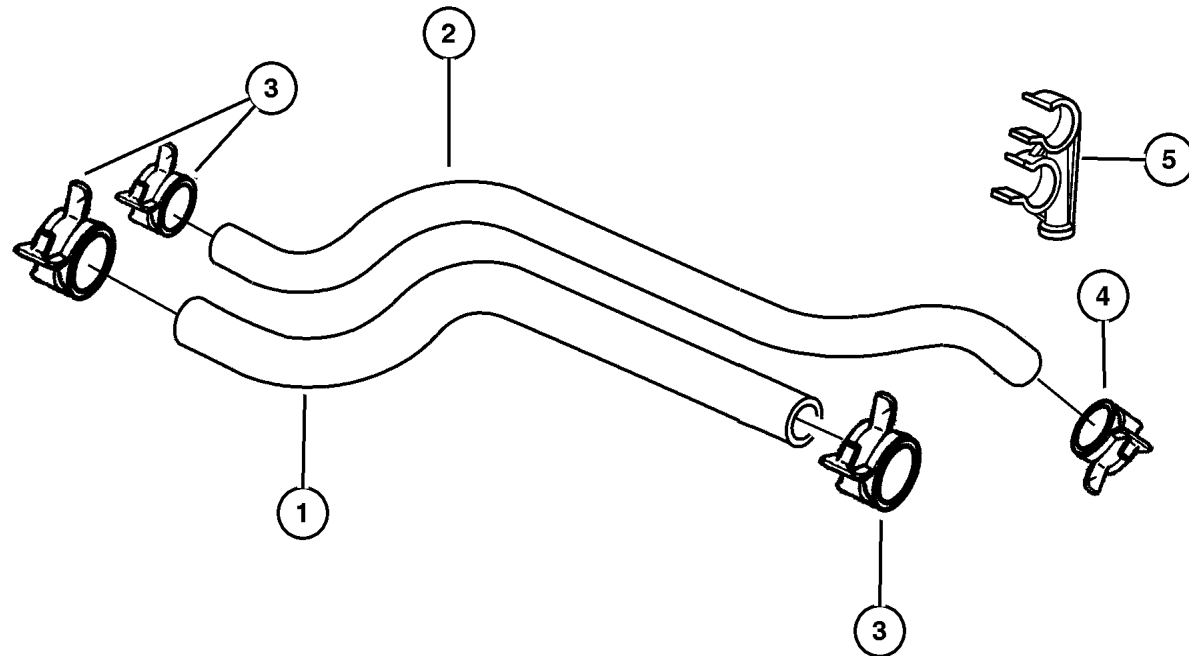
LINE
J = Wrangler 4WD
U = Wrangler 4WD (RHD)

BODY
77 = 93.4 WB

ENGINE
EPE, EP0 = 2.5L Power Tech
ERH, ER0 = 4.0L Power Tech

TRANSMISSION
DGG, DGD = 32RH 3 Spd. Auto.
DDQ = 5 Spd. Manual
DDD = 5 Speed HD Manual
DG0 = Auto. Trans.
DBB = Manual Trans.

Hoses, Heater 2.5L Engine, LHD
Figure 024-205



ITEM	PART NUMBER	QTY	LINE	SERIES	BODY	ENGINE	TRANS	TRIM	DESCRIPTION
Note: Sales Code EP0 = 2.5L Gas Engine									
1	#55038 129AB	1	J			EP0			HOSE, Heater Supply
2	#55038 222AB	1	J			EP0			HOSE, Heater Return
3	6502 017	2	U			ER0			CLAMP, Heater Hose
4									CLAMP, Hose, M28.9 x 1.60, 06502018, (NOT SERVICED) (Not Serviced)
5									BRACKET, Hose
	5503 5933	2	U			EP0,			
		1	J			ER0,			
						EP0,			
						ER0			

JEEP WRANGLER (TJ)

SERIES	LINE	BODY	ENGINE	TRANSMISSION
H = Sport	J = Wrangler 4WD	77 = 93.4 WB	EPE, EP0 = 2.5L Power Tech	DGG, DGD = 32RH 3 Spd. Auto.
L = SE	U = Wrangler 4WD (RHD)		ERH, ER0 = 4.0L Power Tech	DDQ = 5 Spd. Manual
M = X				DDD = 5 Speed HD Manual
P = Sahara				DG0 = Auto. Trans.
				DBB = Manual Trans.

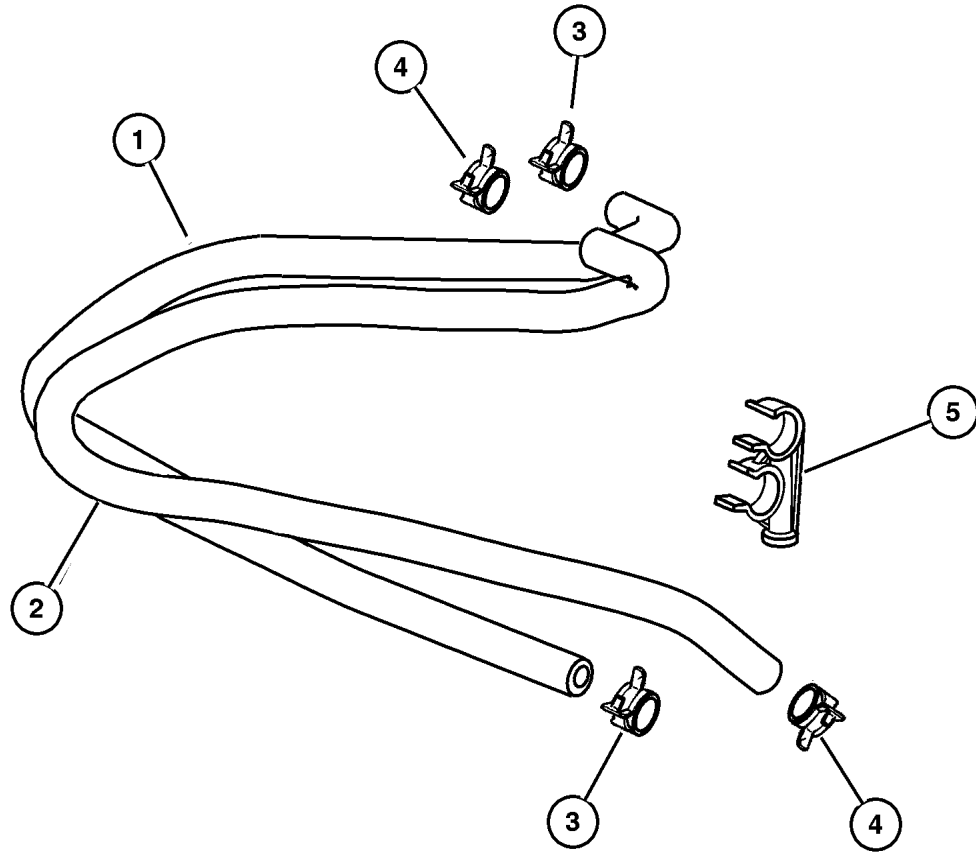
97J24 205

AR = Use as required - = Non illustrated part # = New this model year

January 26, 2004

Hoses, Heater 2.5L Engine, RHD
Figure 024-210

ITEM	PART NUMBER	QTY	LINE	SERIES	BODY	ENGINE	TRANS	TRIM	DESCRIPTION
Note: Sales Code EP0 = 2.5L Gas Engine									
1	55036 481AB	1	U			EP0			HOSE, Heater Return
2	55036 379AB	1	U			EP0			HOSE, Heater Supply
3	6502 017	2	U			ER0			CLAMP, Heater Hose
4									CLAMP, Hose, M28.9 x 1.60, 06502018, (NOT SERVICED) (Not Serviced)
5	5503 5933	2	U			EP0, ER0			BRACKET, Hose



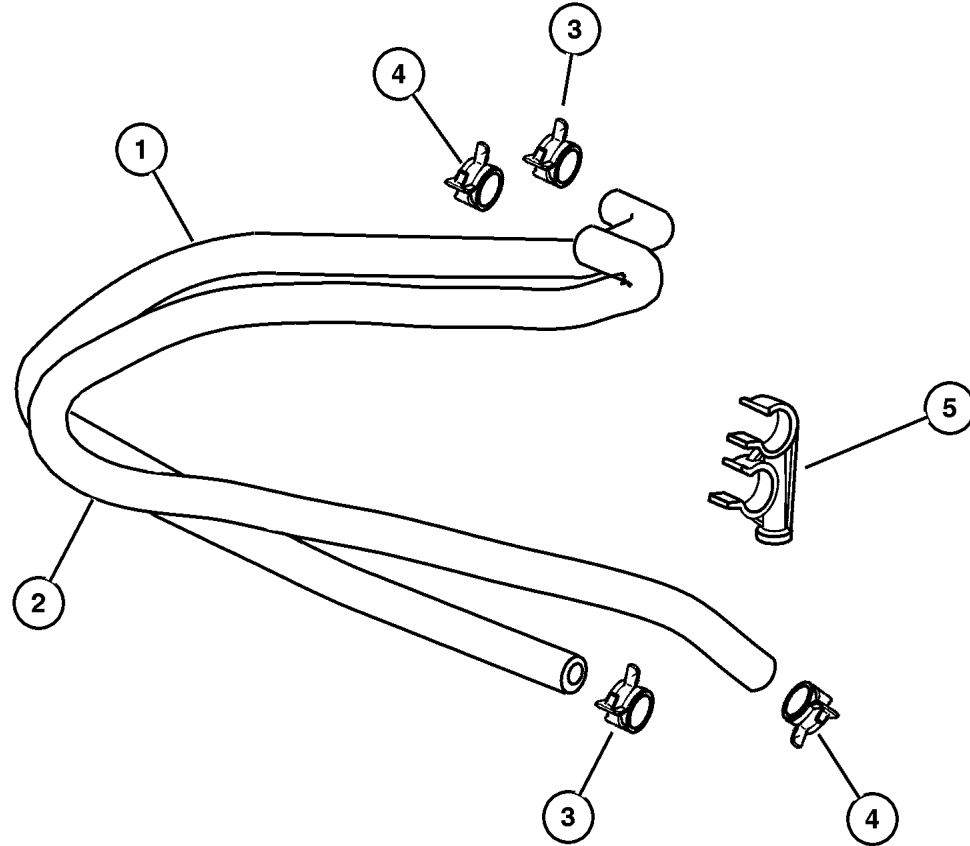
JEEP WRANGLER (TJ)				
SERIES	LINE	BODY	ENGINE	TRANSMISSION
H = Sport	J = Wrangler 4WD	77 = 93.4 WB	EPE, EP0 = 2.5L Power Tech	DGG, DGD = 32RH 3 Spd. Auto.
L = SE	U = Wrangler 4WD (RHD)		ERH, ER0 = 4.0L Power Tech	DDQ = 5 Spd. Manual
M = X				DDD = 5 Speed HD Manual
P = Sahara				DG0 = Auto. Trans.
				DBB = Manual Trans.

AR = Use as required - = Non illustrated part # = New this model year

January 26, 2004

Hoses, Heater 4.0L Engine, RHD
Figure 024-220

ITEM	PART NUMBER	QTY	LINE	SERIES	BODY	ENGINE	TRANS	TRIM	DESCRIPTION
Note: Sales Code ER0 = 4.0L Gas Engine									
1	55036 382AD	1	U			ER0			HOSE, Heater Return
2	55036 380AC	1	U			ER0			HOSE, Heater Supply
3	6502 017	2	U			ER0			CLAMP, Heater Hose
4									CLAMP, Hose, M28.9 x 1.60, 06502018, (NOT SERVICED) (Not Serviced)
5	5503 5933	2	U			EP0, ER0			BRACKET, Hose

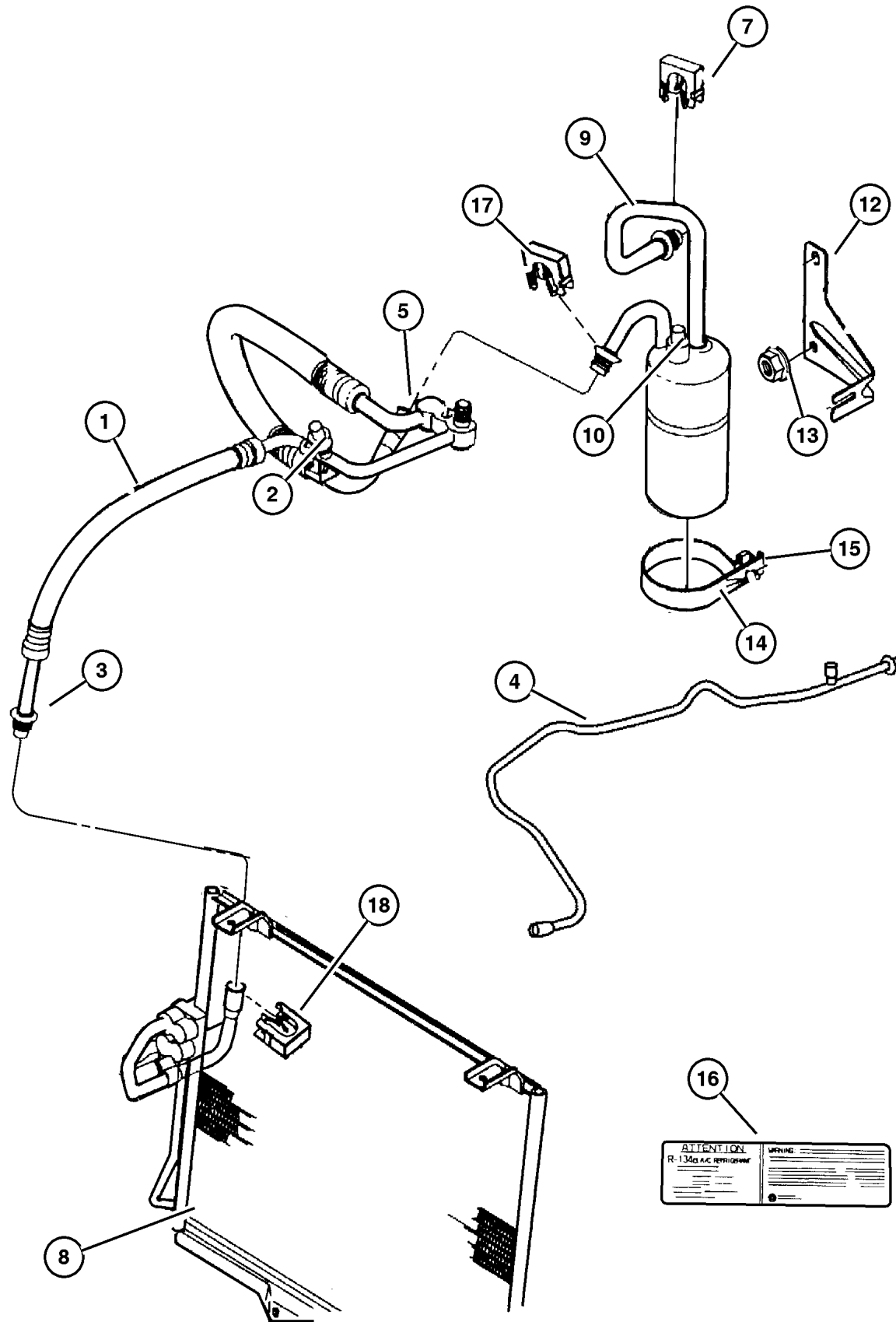


JEEP WRANGLER (TJ)				
SERIES	LINE	BODY	ENGINE	TRANSMISSION
H = Sport	J = Wrangler 4WD	77 = 93.4 WB	EPE, EP0 = 2.5L Power Tech	DGG, DGD = 32RH 3 Spd. Auto.
L = SE	U = Wrangler 4WD (RHD)		ERH, ER0 = 4.0L Power Tech	DDQ = 5 Spd. Manual
M = X				DDD = 5 Speed HD Manual
P = Sahara				DG0 = Auto. Trans.
				DBB = Manual Trans.

AR = Use as required - = Non illustrated part # = New this model year

January 26, 2004

Plumbing, Hevac 2.5L Engine, LHD
Figure 024-225



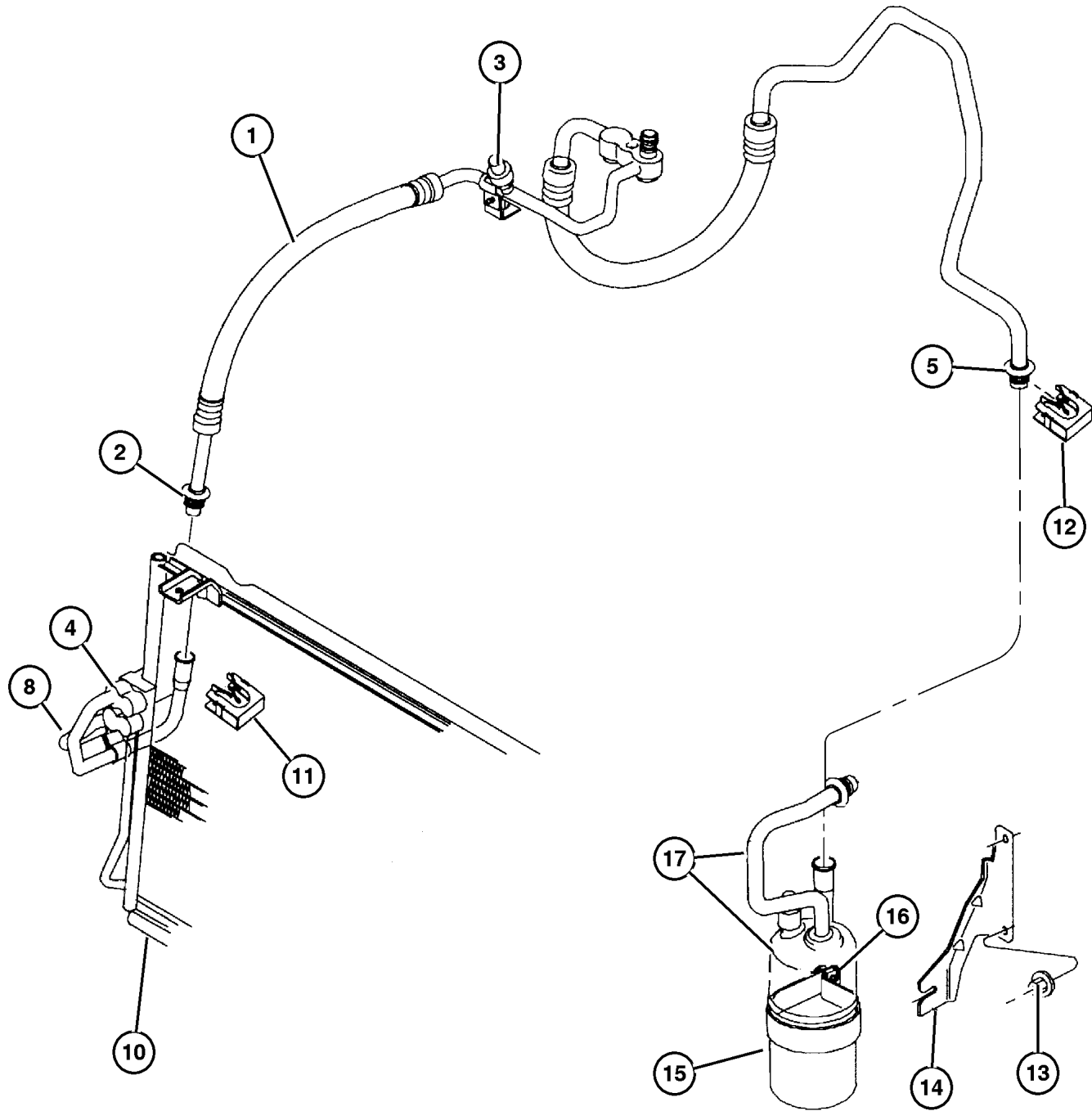
ITEM	PART NUMBER	QTY	LINE	SERIES	BODY	ENGINE	TRANS	TRIM	DESCRIPTION
Note: Sales Code EP0 = 2.5L Gas Engine									
1	55037 503AA	1				EP0			LINE, A/C Discharge
2	4897 617AA	1				EP0			SWITCH, A/C High Pressure Cut Off
3	4740 401	2	J			EP0			O RING, A/C Suction Line
4	55037 505AB	1	J			EP0,			LINE, A/C Liquid
						ER0			
5	1942 389	2							O RING, A/C Liquid Line
-6	4723 029	1				EP0			VALVE, A/C Discharge Line Check
7	5503 6022	2							CLIP, A/C Liquid Line
8	55037 512AB	1	J			EP0,			CONDENSER, Air Conditioning
						ER0			
9	55037 441AE	1	J			EP0			ACCUMULATOR, Suction Line
10	5015 872AB	1	J			EP0			SWITCH, A/C Low Pressure Cut Off
-11	4723 029	1				EP0			VALVE, A/C Discharge Line Check
12	5503 6303	1	J			EP0,			BRACKET, Accumulator
						ER0			
13									NUT, (NOT SERVICED) (Not Serviced)
14	55037 431AB	1							BAND, Accumulator Retaining
15									SCREW, (NOT SERVICED) (Not Serviced)
16	55037 555AB	1							LABEL, Refrigerant
17									CLIP, A/C Quick Disconnect
	4596 152	1	J						Quick (Suction) Connect
	4596 153	1							CLIP, A/C Quick Disconnect, (Discharge) Connect
18	4596 153	1							

JEEP WRANGLER (TJ)		BODY	ENGINE	TRANSMISSION
SERIES	LINE	77 = 93.4 WB	EPE, EP0 = 2.5L Power Tech	DGG, DGD = 32RH 3 Spd. Auto.
H = Sport	J = Wrangler 4WD		ERH, ER0 = 4.0L Power Tech	DDQ = 5 Spd. Manual
L = SE	U = Wrangler 4WD (RHD)			DDD = 5 Speed HD Manual
M = X				DG0 = Auto. Trans.
P = Sahara				DBB = Manual Trans.

AR = Use as required - = Non illustrated part # = New this model year

January 26, 2004

Plumbing, Hevac 2.5L Engine, RHD
Figure 024-230



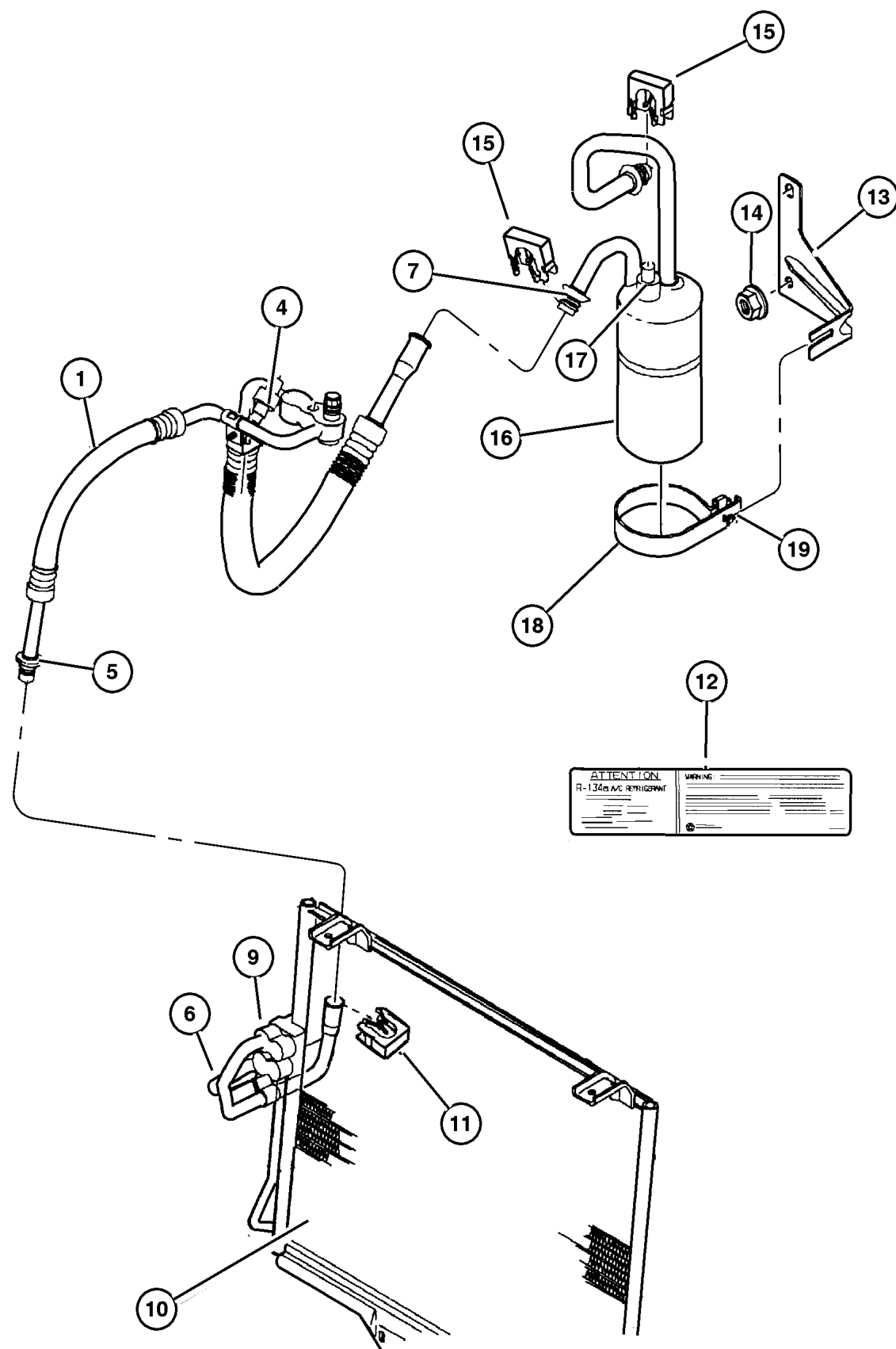
ITEM	PART NUMBER	QTY	LINE	SERIES	BODY	ENGINE	TRANS	TRIM	DESCRIPTION
Note: Sales Code EP0 = 2.5L Gas Engine									
1	55037 503AA	1				EP0			LINE, A/C Discharge
2	4740 401	2	U			EP0, ER0			O RING, A/C Suction Line
3	4897 617AA	1				EP0			SWITCH, A/C High Pressure Cut Off
4	5503 6292	1	U			EP0, ER0			LINE, A/C Liquid
5	1942 389	2							O RING, A/C Liquid Line
-6	55036 782AB	2	U						RETAINER, A/C Supply Line
-7	5503 6022	2							CLIP, A/C Liquid Line
8	55037 510AA	1	U			EP0, ER0			TUBE, A/C Liquid Line
-9	4723 029	1	U			EP0			VALVE, A/C Discharge Line Check
10	55037 513AB	1	U			EP0, ER0			CONDENSER, Air Conditioning
11	4596 152	2	U						CLIP, A/C Quick Disconnect
12	4596 153	1							CLIP, A/C Quick Disconnect
13									NUT, (NOT SERVICED) (Not Serviced)
14	5503 6304	1	U						BRACKET, Accumulator
15	55037 431AB	1							BAND, Accumulator Retaining
16									SCREW, (NOT SERVICED) (Not Serviced)
17	55037 442AA	1	U			EP0, ER0			ACCUMULATOR, Suction Line

JEEP WRANGLER (TJ)				
SERIES	LINE	BODY	ENGINE	TRANSMISSION
H = Sport	J = Wrangler 4WD	77 = 93.4 WB	EPE, EP0 = 2.5L Power Tech	DGG, DGD = 32RH 3 Spd. Auto.
L = SE	U = Wrangler 4WD (RHD)		ERH, ER0 = 4.0L Power Tech	DDQ = 5 Spd. Manual
M = X				DDD = 5 Speed HD Manual
P = Sahara				DG0 = Auto. Trans.
				DBB = Manual Trans.

AR = Use as required - = Non illustrated part # = New this model year

January 26, 2004

Plumbing, Hevac 4.0L Engine, LHD
Figure 024-235



ITEM	PART NUMBER	QTY	LINE	SERIES	BODY	ENGINE	TRANS	TRIM	DESCRIPTION
Note: Sales Code ER0 = 4.0L Gas Engine									
1	55037 506AA	1				ER0			LINE, A/C Discharge
-2	4796 565	2				ER0			O RING, A/C Discharge Line
-3	6036 153AA	1				ER0			NUT, Hex, .437-14, A/C Line to Engine Block
4	4897 617AA	1				ER0			SWITCH, A/C High Pressure Cut Off
5	4740 401	1	J			ER0			O RING, A/C Suction Line
6	55037 505AB	1	J			EP0, ER0			LINE, A/C Liquid
7	1942 389	2							O RING, A/C Liquid Line
-8	4723 029	2				ER0			VALVE, A/C Discharge Line Check
9	5503 6022	2							CLIP, A/C Liquid Line
10	55037 512AB	1	J			EP0, ER0			CONDENSER, Air Conditioning
11	4596 152	1	J						CLIP, A/C Quick Disconnect
12	55037 555AB	1				ER0			LABEL, Refrigerant
13	5503 6303	1	J			EP0, ER0			BRACKET, Accumulator
14									NUT, (NOT SERVICED) (Not Serviced)
15	4596 152	1	J						CLIP, A/C Quick Disconnect
16	#55037 647AB	1	J			ER0			ACCUMULATOR, Suction Line
17	5015 872AC	1	J			ER0			SWITCH, A/C Low Pressure Cut Off
18	55037 431AB	1							BAND, Accumulator Retaining
19									SCREW, (NOT SERVICED) (Not Serviced)

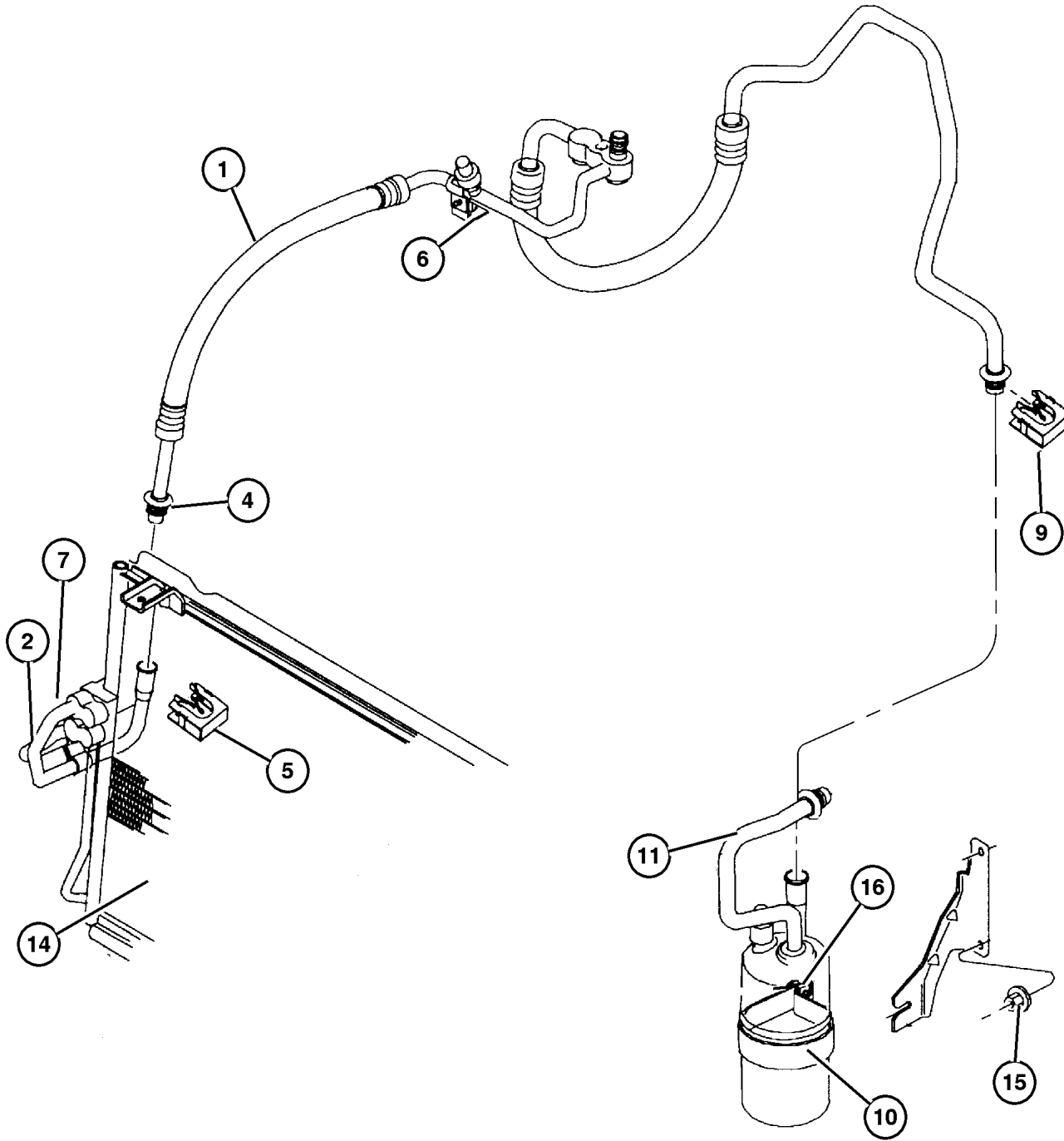
JEEP WRANGLER (TJ)			
SERIES	LINE	BODY	ENGINE
H = Sport	J = Wrangler 4WD	77 = 93.4 WB	EPE, EP0 = 2.5L Power Tech
L = SE	U = Wrangler 4WD (RHD)		ERH, ER0 = 4.0L Power Tech
M = X			
P = Sahara			
			TRANSMISSION
			DGG, DGD = 32RH 3 Spd. Auto.
			DDQ = 5 Spd. Manual
			DDD = 5 Speed HD Manual
			DG0 = Auto. Trans.
			DBB = Manual Trans.

AR = Use as required - = Non illustrated part # = New this model year

January 26, 2004

Plumbing, Hevac 4.0L Engine, RHD
Figure 024-240

ITEM	PART NUMBER	QTY	LINE	SERIES	BODY	ENGINE	TRANS	TRIM	DESCRIPTION
Note: Sales Code ER0 = 4.0L Gas Engine									
1	55037 506AA	1				ER0			LINE, A/C Discharge
2	5503 6292	1	U			EP0, ER0			LINE, A/C Liquid
-3	6036 153AA	1				ER0			NUT, Hex, .437-14, A/C Line to Engine Block
4	1942 389	2							O RING, A/C Liquid Line
5	5503 6022	2							CLIP, A/C Liquid Line
6	55036 782AB	1	U			ER0			RETAINER, A/C Supply Line
7	55037 510AA	1	U			EP0, ER0			TUBE, A/C Liquid Line
-8	4596 152	2	U						CLIP, A/C Quick Disconnect
9	5503 6304	1	U						BRACKET, Accumulator
10	55037 431AB	1							BAND, Accumulator Retaining
11	55037 442AA	1	U			EP0, ER0			ACCUMULATOR, Suction Line
-12	4723 029	1	U			ER0			VALVE, A/C Discharge Line Check
-13	4596 152	2	U						CLIP, A/C Quick Disconnect
14	55037 513AB	1	U			EP0, ER0			CONDENSER, Air Conditioning
15									NUT, (NOT SERVICED) (Not Serviced)
16									SCREW, (NOT SERVICED) (Not Serviced)



JEEP WRANGLER (TJ)

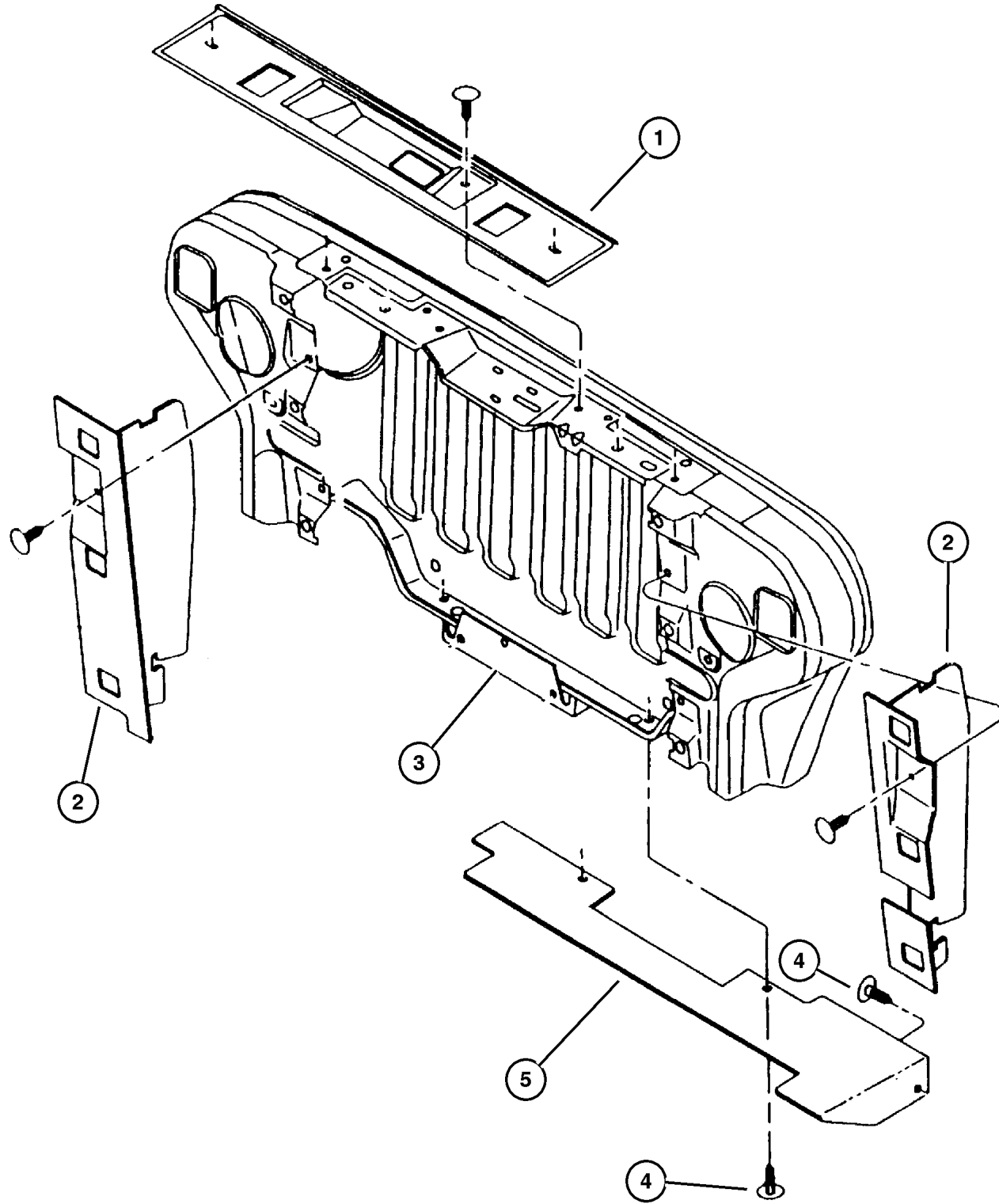
SERIES	LINE	BODY	ENGINE	TRANSMISSION
H = Sport	J = Wrangler 4WD	77 = 93.4 WB	EPE, EP0 = 2.5L Power Tech	DGG, DGD = 32RH 3 Spd. Auto.
L = SE	U = Wrangler 4WD (RHD)		ERH, ER0 = 4.0L Power Tech	DDQ = 5 Spd. Manual
M = X				DDD = 5 Speed HD Manual
P = Sahara				DG0 = Auto. Trans.
				DBB = Manual Trans.

AR = Use as required - = Non illustrated part # = New this model year

January 26, 2004

Seals, A/C Condenser
Figure 024-245

ITEM	PART NUMBER	QTY	LINE	SERIES	BODY	ENGINE	TRANS	TRIM	DESCRIPTION
1	5503 6369	1							SEAL, Condenser
2	55036 866AC	1							SEAL, Condenser
3	5503 6867	1							SEAL, Condenser, Condenser to Grille
4	6030 441	12							PIN, Retainer, Push
5	5503 6369	1							SEAL, Condenser, Lower



JEEP WRANGLER (TJ)				
SERIES	LINE	BODY	ENGINE	TRANSMISSION
H = Sport	J = Wrangler 4WD	77 = 93.4 WB	EPE, EP0 = 2.5L Power Tech	DGG, DGD = 32RH 3 Spd. Auto.
L = SE	U = Wrangler 4WD (RHD)		ERH, ER0 = 4.0L Power Tech	DDQ = 5 Spd. Manual
M = X				DDD = 5 Speed HD Manual
P = Sahara				DG0 = Auto. Trans.
				DBB = Manual Trans.

AR = Use as required - = Non illustrated part # = New this model year

January 26, 2004

**Control, Heater And A/c
Figure 024-310**

ITEM	PART NUMBER	QTY	LINE	SERIES	BODY	ENGINE	TRANS	TRIM	DESCRIPTION
------	-------------	-----	------	--------	------	--------	-------	------	-------------

Note: Sales Code EP0 = 2.5L Gas Engine

Note: Sales Code ER0 = 4.0L Gas Engine

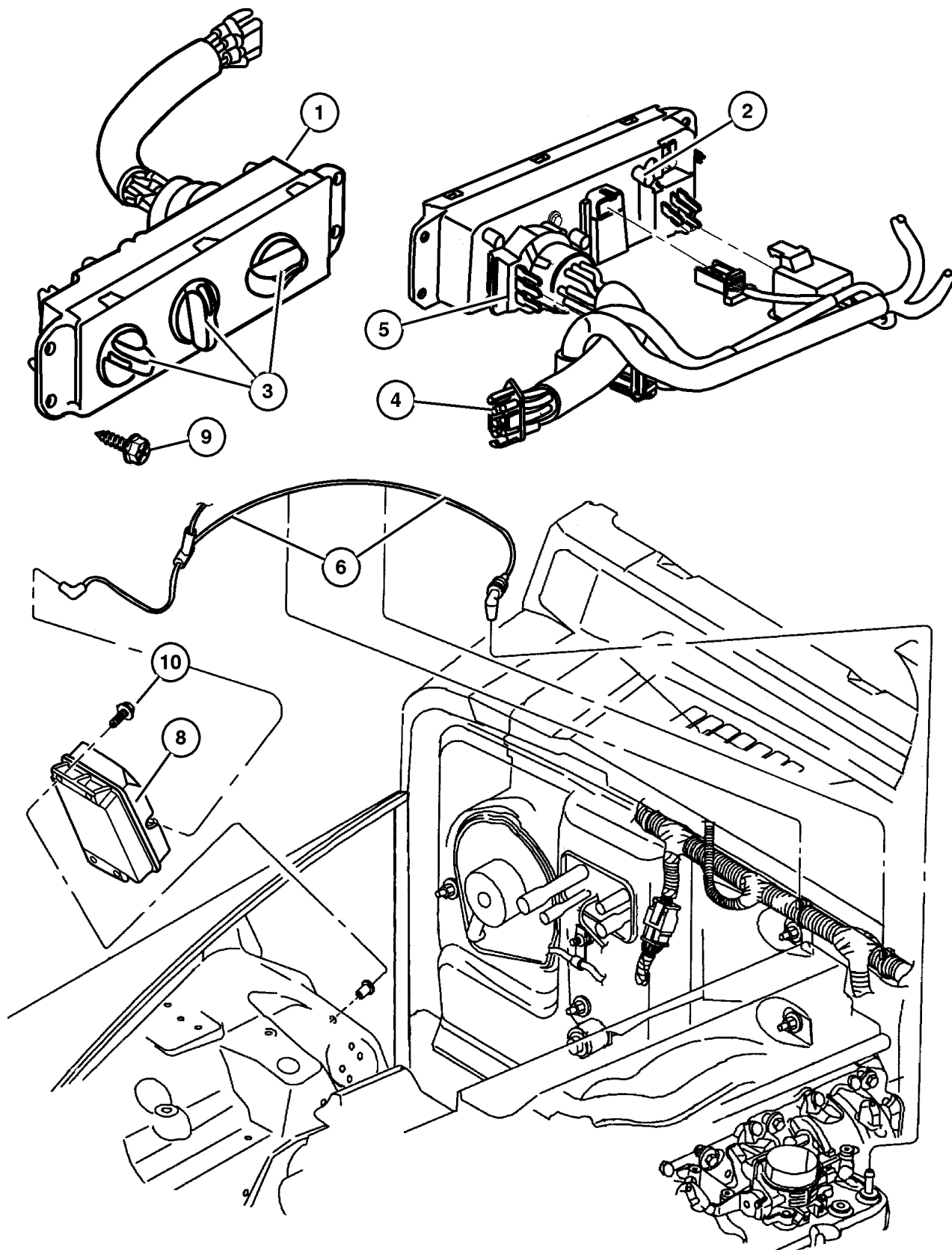
1									CONTROL, A/C And Heater
	#55037 612AA	1	J						[HA0]
	#55037 611AA	1	J						[HC0]
	55037 473AB	1	U						[HA0]
	55037 472AB	1	U						[HC0]
2	5013 829AA	1	U						BULB, Heater and A/C Control
3									KNOB, A/C And Heater Control - Rotary
	5011 218AC	3	U						
		1	J						
4									HARNES, A/C And Heater Vacuum
	5013 830AA	1	U						Without Air Conditioning
	5013 831AA	1	U						With Air Conditioning
5									SWITCH, A/C and Heater Vacuum
	5013 832AA	1	U						Without Air Conditioning
	5013 833AA	1	U						With Air Conditioning
6									HOSE AND VALVE, Vacuum
	55036 353AC	1	U			EP0			
	55037 393AD	1	J			EP0			
	55037 564AB	1	U			ER0			
	55037 567AA	1	J			ER0			
-7	5503 7314	1	J						CLIP, Vacuum Harness
8	5503 5614	1							RESERVOIR, Vacuum, Cruise Control
9	6034 205	2							SCREW, Pan Head, .19-32x.625
10	6034 949	4							SCREW, M4.2x1.69x19.05

JEEP WRANGLER (TJ)

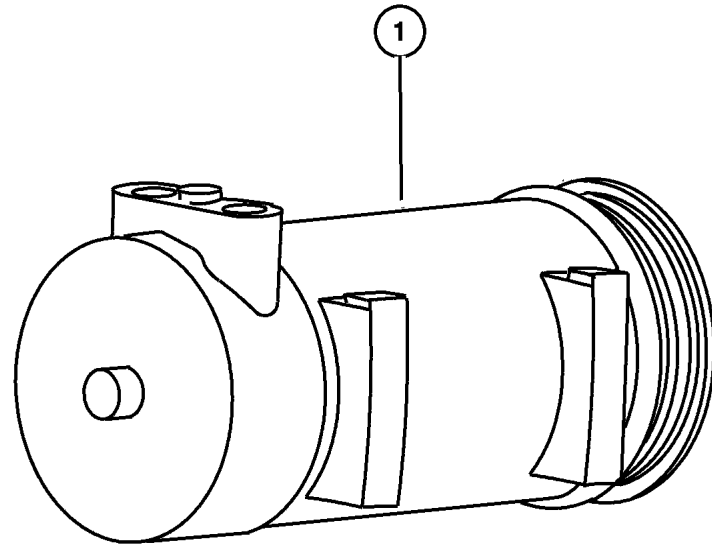
SERIES	LINE	BODY	ENGINE	TRANSMISSION
H = Sport	J = Wrangler 4WD	77 = 93.4 WB	EPE, EP0 = 2.5L Power Tech	DGG, DGD = 32RH 3 Spd. Auto.
L = SE	U = Wrangler 4WD (RHD)		ERH, ER0 = 4.0L Power Tech	DDQ = 5 Spd. Manual
M = X				DDD = 5 Speed HD Manual
P = Sahara				DG0 = Auto. Trans.
				DBB = Manual Trans.

AR = Use as required - = Non illustrated part # = New this model year

January 26, 2004



**Compressor, Air Conditioning
Figure 024-410**



ITEM	PART NUMBER	QTY	LINE	SERIES	BODY	ENGINE	TRANS	TRIM	DESCRIPTION
Note: Sales Code EP0 = 2.5L Gas Engine									
Note: Sales Code ER0 = 4.0L Gas Engine									
1									COMPRESSOR, Air Conditioning
	55037 432AA	1				EP0			
	55116 144AB	1				ER0			
-2									CLUTCH, A/C Compressor, Shim Package
	5014 092AA	1				EP0			
	5014 415AA	1				ER0			
-3									COIL, Air Conditioning Clutch
	5003 681AA	1				EP0			
		1				ER0			
-4									PULLEY HUB KIT, A/C Compressor
	4720 834	1				EP0			
		1				ER0			
-5									MANIFOLD KIT, A/C Compressor
	5014 093AA	1				EP0			
	5014 413AA	1				ER0			

JEEP WRANGLER (TJ)

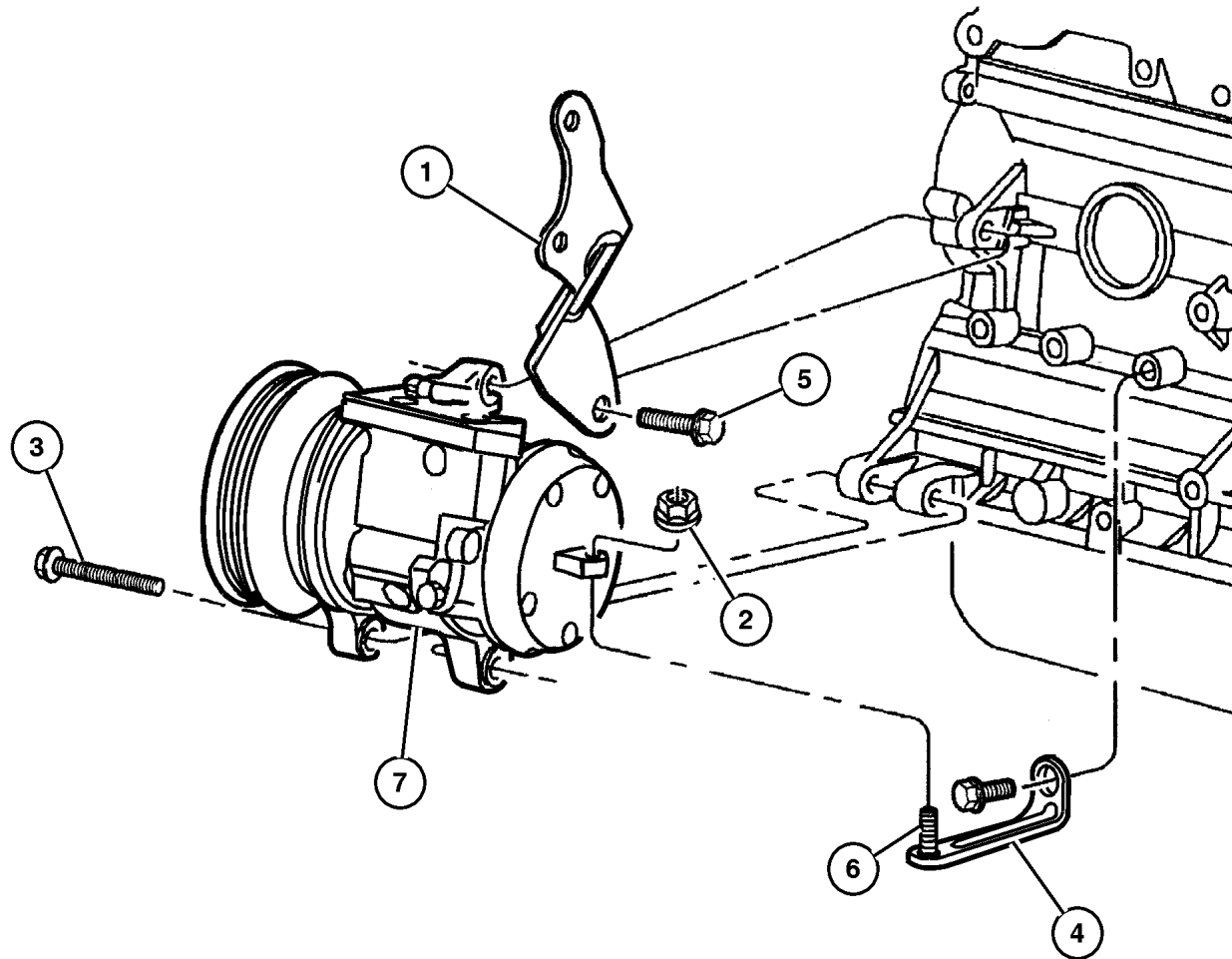
SERIES	LINE	BODY	ENGINE	TRANSMISSION
H = Sport	J = Wrangler 4WD	77 = 93.4 WB	EPE, EP0 = 2.5L Power Tech	DGG, DGD = 32RH 3 Spd. Auto.
L = SE	U = Wrangler 4WD (RHD)		ERH, ER0 = 4.0L Power Tech	DDQ = 5 Spd. Manual
M = X				DDD = 5 Speed HD Manual
P = Sahara				DG0 = Auto. Trans.
				DBB = Manual Trans.

AR = Use as required - = Non illustrated part # = New this model year

January 26, 2004

**Compressor, Mounting 4.0L Engine
Figure 024-420**

ITEM	PART NUMBER	QTY	LINE	SERIES	BODY	ENGINE	TRANS	TRIM	DESCRIPTION
Note: Sales Code ER0 = All 4.0L Engines									
Note: Sales Code EVO = All 4.7L Gas Engines									
1	4854 157	1				ER0			BRACE, Power Steering Pump
2	6501 279	4							NUT, Hex Flange Lock, M8x1.25
3	6504 344	1				ER0			SCREW AND WASHER, Hex Head
4	53013 053AA	1				ER0			BRACE, A/C Compressor
5									SCREW AND WASHER, M10x1.50x45.00, (NOT SERVICED) (Not Serviced)
6									SCREW AND WASHER, Hex Head, (NOT SERVICED) (Not Serviced)
7	55116 144AB	1				ER0			COMPRESSOR, Air Conditioning

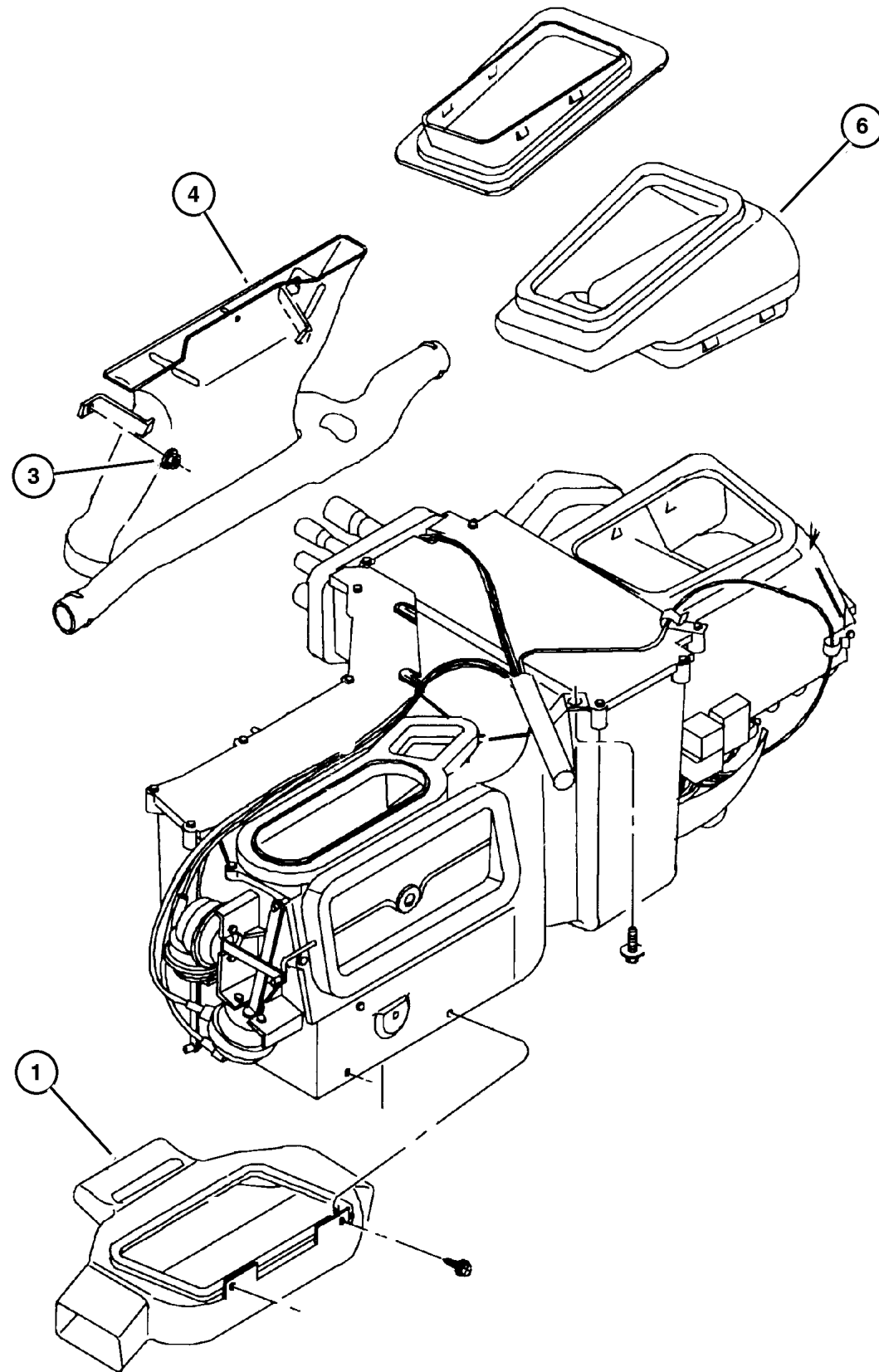


JEEP WRANGLER (TJ)				
SERIES	LINE	BODY	ENGINE	TRANSMISSION
H = Sport	J = Wrangler 4WD	77 = 93.4 WB	EPE, EP0 = 2.5L Power Tech	DGG, DGD = 32RH 3 Spd. Auto.
L = SE	U = Wrangler 4WD (RHD)		ERH, ER0 = 4.0L Power Tech	DDQ = 5 Spd. Manual
M = X				DDD = 5 Speed HD Manual
P = Sahara				DG0 = Auto. Trans.
				DBB = Manual Trans.

AR = Use as required - = Non illustrated part # = New this model year

January 26, 2004

Ducts, Heater And A/c
Figure 024-610



ITEM	PART NUMBER	QTY	LINE	SERIES	BODY	ENGINE	TRANS	TRIM	DESCRIPTION
1	4874 089	1	U						DUCT, Floor Distribution
-2									DUCT, A/C Outlet
	5511 5158	1	J						
	5511 5715	1	U						
3	6100 839	2							NUT, Push, M5
4									DUCT, Door Demister
	5511 5576	1	U						Right
		1	J						Right
	5511 5577	1	U						Left
		1	J						Left
-5									ADAPTER, Demister
	5503 6308	1	U						Right
		1	J						Right
	5503 6309	1	U						Left
		1	J						Left
6									DUCT, Fresh Air
	55037 540AA	1	J						
	55037 541AA	1	U						

JEEP WRANGLER (TJ)

SERIES	LINE	BODY	ENGINE	TRANSMISSION
H = Sport	J = Wrangler 4WD	77 = 93.4 WB	EPE, EP0 = 2.5L Power Tech	DGG, DGD = 32RH 3 Spd. Auto.
L = SE	U = Wrangler 4WD (RHD)		ERH, ER0 = 4.0L Power Tech	DDQ = 5 Spd. Manual
M = X				DDD = 5 Speed HD Manual
P = Sahara				DG0 = Auto. Trans.
				DBB = Manual Trans.

Group – 025

Emission Systems

GROUP 25 - Emission Systems

Illustration Title

Group-Fig. No.

Emission Labels

Emission Labels, 2.5 (EPE), 4.0 (ERH) Fig. 025-110

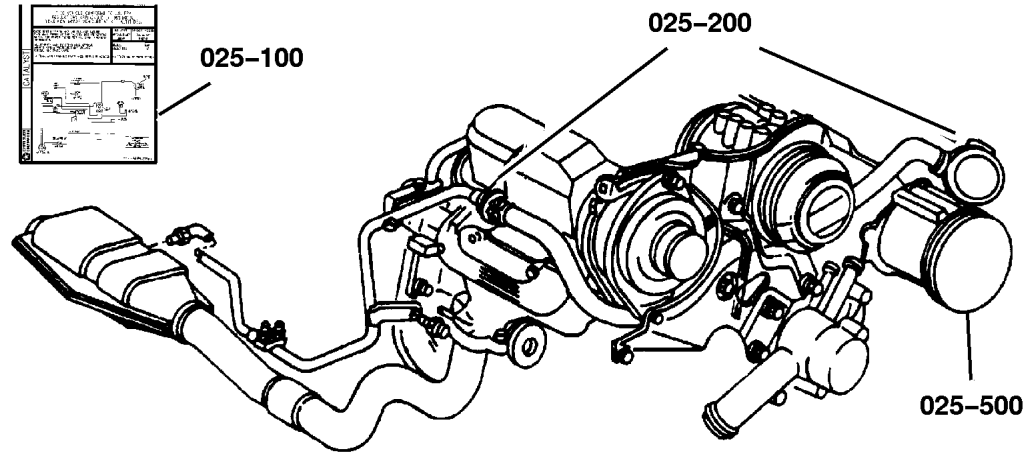
Vacuum Canister

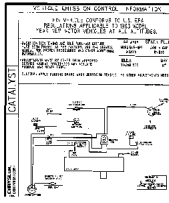
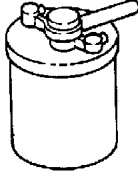
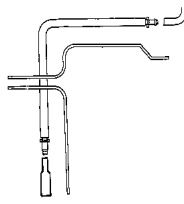
Vacuum Canister, 2.5 (EPE), 4.0 (ERH) Fig. 025-310

Emission Harness

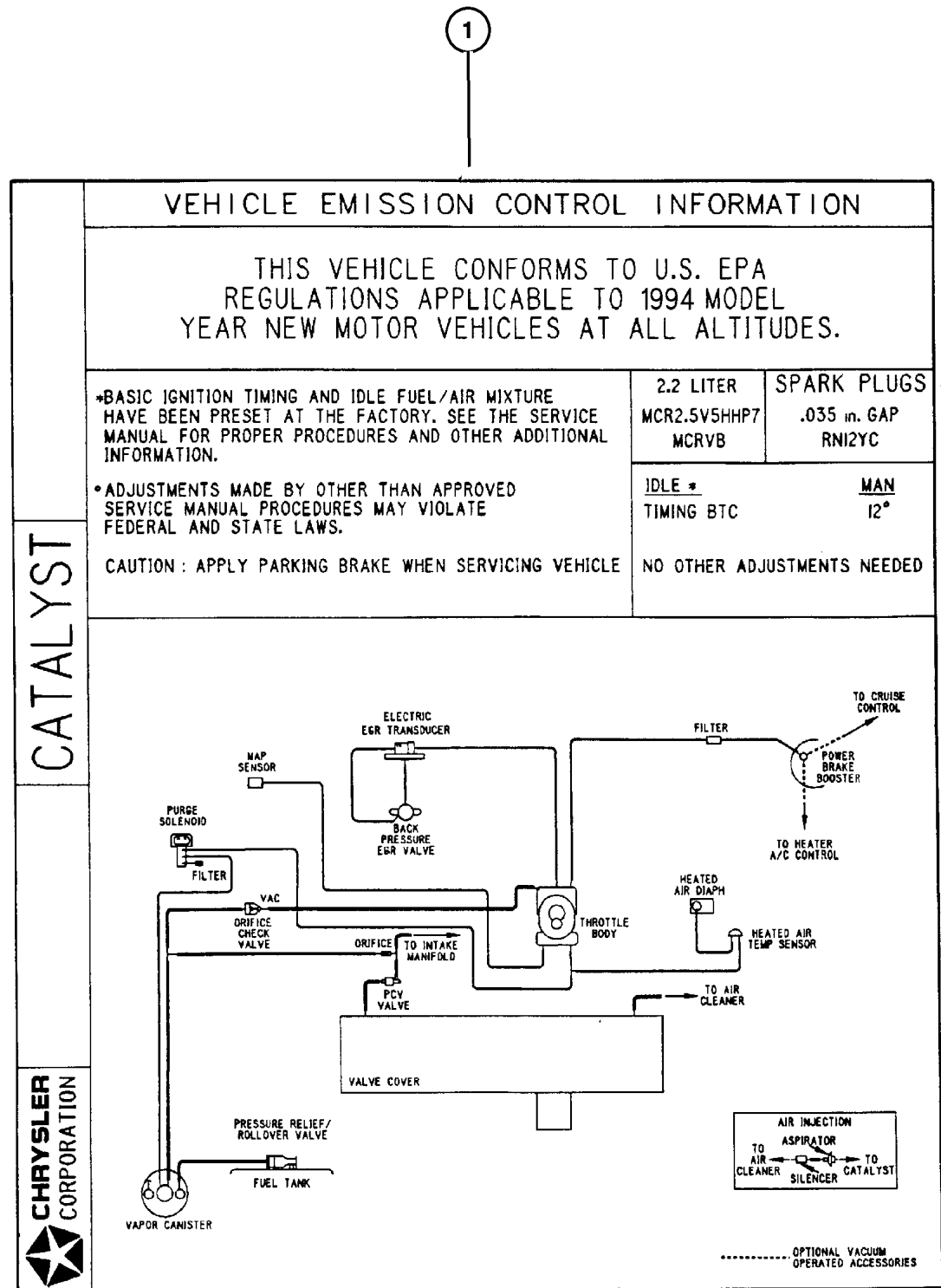
Emission Control Vacuum Harness, 2.5 (EPE), 4.0 (ERH) Fig. 025-410

Leak Detection Pump, 2.5 (EPE), 4.0 (ERH) Fig. 025-420



<p>025-100 Emission Labels</p> 	<p>025-300 Vacuum Canister</p> 	<p>025-400 Emission Harness</p> 	
---	---	---	--

Emission Labels, 2.5 (EPE), 4.0 (ERH)
Figure 025-110

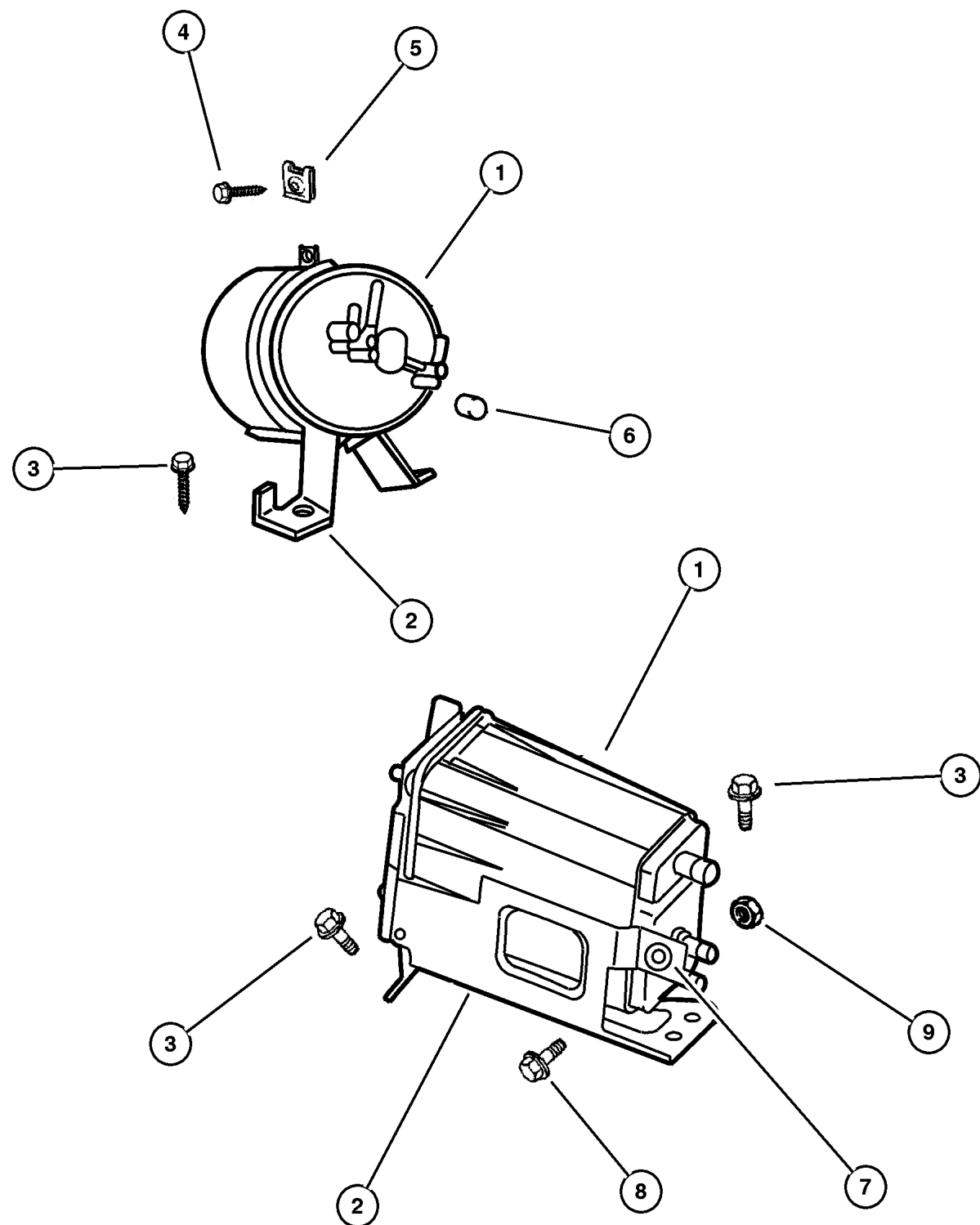


ITEM	PART NUMBER	QTY	LINE	SERIES	BODY	ENGINE	TRANS	TRIM	DESCRIPTION
NOTE: [EPE]=2.5L Power Tech I-4, [ERH]= 4.0l Power Tech I-6.									
1									LABEL, Emission
	52059 650AA	1				EPE			Transitory Low Emission
	#52060 390AA	1				EPE			Emissions - U.S. 50 State
	#52060 392AA	1				ER0			U.S. 50 State
	52109 649AA	1				EPE			Export
	53032 261AA	1				ERH			Emissions - Export

JEEP WRANGLER (TJ)

SERIES	LINE	BODY	ENGINE	TRANSMISSION
H = Sport	J = Wrangler 4WD	77 = 93.4 WB	EPE, EP0 = 2.5L Power Tech	DGG, DGD = 32RH 3 Spd. Auto.
L = SE	U = Wrangler 4WD (RHD)		ERH, ER0 = 4.0L Power Tech	DDQ = 5 Spd. Manual
M = X				DDD = 5 Speed HD Manual
P = Sahara				DG0 = Auto. Trans.
				DBB = Manual Trans.

Vacuum Canister, 2.5 (EPE), 4.0 (ERH)
Figure 025-310



ITEM	PART NUMBER	QTY	LINE	SERIES	BODY	ENGINE	TRANS	TRIM	DESCRIPTION
Note:[EPO]= All 2.5 Gas Engines,[ERO]= All 4.0 Gas Engines.									
1	5303 0838	1	J			ER0			CANISTER, Vapor, Europe III
2	53013 164AB	1	U			ER0			BRACKET, Vapor Canister Europe III, RHD
	53013 031AB	1	J			EP0,			ER0
3									SCREW, M6x1.00x20.00, (NOT SERVICED) (Not Serviced)
4	6035 399	1				EP0	DGD		SCREW, .25-20
5	0153 355	1				EP0	DGD		U-NUT, .25-20
6	4192 074	1				EP0	DGD		CAP, Vapor Canister
		1				EP0,			ER0
7									GROMMET, Air Cleaner Bracket
	4669 177	2	J			EP0	DDQ		
		2	U			EP0	DDQ		
		2	U			ER0			
		2	J			ER0			
8									SCREW AND WASHER, Hex Head, M8x1.25x20
	6101 452	1	U			EP0	DDQ		
		1	J			EP0	DDQ		
		1	U			ER0			
		1	J			ER0			
9									NUT, Hex Flange, M8x1.25
	6101 467	1	J			ER0			
		1	U			ER0			
		1	J			EP0	DDQ		
		1	U			EP0	DDQ		

JEEP WRANGLER (TJ)

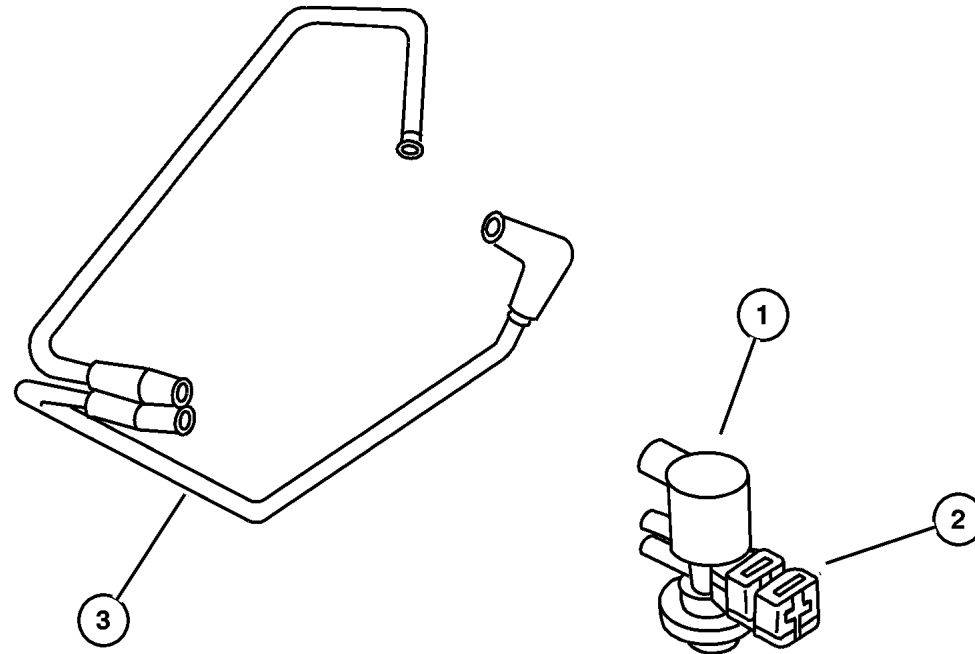
SERIES	LINE	BODY	ENGINE	TRANSMISSION
H = Sport	J = Wrangler 4WD	77 = 93.4 WB	EPE, EP0 = 2.5L Power Tech	DGG, DGD = 32RH 3 Spd. Auto.
L = SE	U = Wrangler 4WD (RHD)		ERH, ER0 = 4.0L Power Tech	DDQ = 5 Spd. Manual
M = X				DDD = 5 Speed HD Manual
P = Sahara				DG0 = Auto. Trans.
				DBB = Manual Trans.

AR = Use as required - = Non illustrated part # = New this model year

January 26, 2004

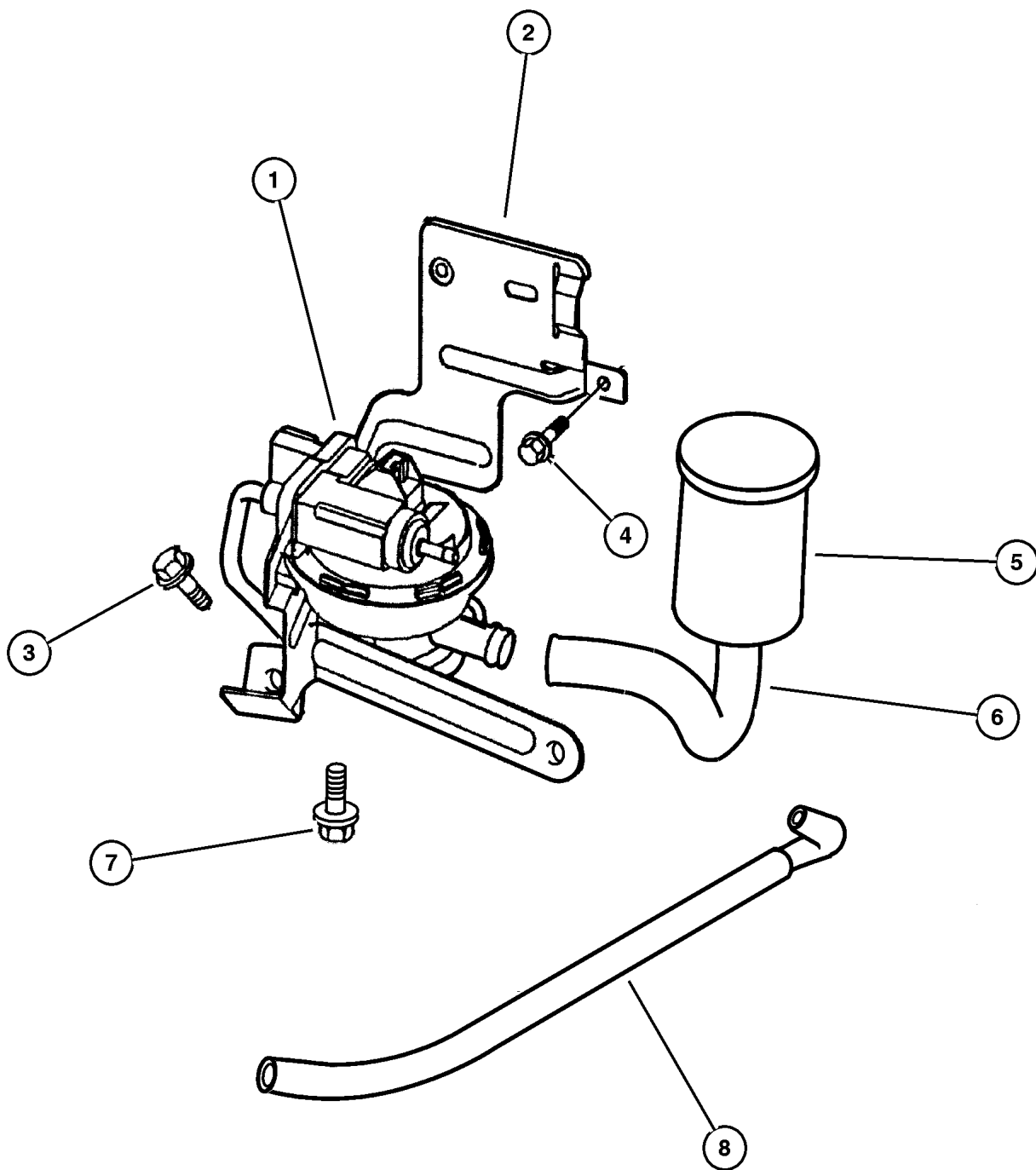
**Emission Control Vacuum Harness, 2.5 (EPE), 4.0 (ERH)
Figure 025-410**

ITEM	PART NUMBER	QTY	LINE	SERIES	BODY	ENGINE	TRANS	TRIM	DESCRIPTION
NOTE:[EP0]=All 2.5L Gas Engines [ER0]=All 4.0L Engines, [DDQ]= Manual Transmissions									
1	4669 475AB	1				EP0, ER0			SOLENOID, Duty Cycle Purge
2	5017 181AA	1				EP0, ER0			BRACKET, Duty Cycle Purge Solenoid
3	4854 133AB	1	J			EP0			HARNESS, Vacuum Canister Purge U.S. 50 States
	4854 134AC	1	J			ER0			U.S. 50 States anf Europe III
	4854 160	1				EP0			Leaded Fuel
	52109 560AA	1	U			EP0	DDQ		Europe III



JEEP WRANGLER (TJ)				
SERIES	LINE	BODY	ENGINE	TRANSMISSION
H = Sport	J = Wrangler 4WD	77 = 93.4 WB	EPE, EP0 = 2.5L Power Tech	DGG, DGD = 32RH 3 Spd. Auto.
L = SE	U = Wrangler 4WD (RHD)		ERH, ER0 = 4.0L Power Tech	DDQ = 5 Spd. Manual
M = X				DDD = 5 Speed HD Manual
P = Sahara				DG0 = Auto. Trans.
				DBB = Manual Trans.

**Leak Detection Pump, 2.5 (EPE), 4.0 (ERH)
Figure 025-420**



ITEM	PART NUMBER	QTY	LINE	SERIES	BODY	ENGINE	TRANS	TRIM	DESCRIPTION
Note; EPO= All 2.5 Gas Engines, ERO= All 4.0 Gas Engines.									
1	4891 413AC	1	J			EPO, ERO			PUMP, Leak Detection
2	4854 172	1	J			EPO, ERO			BRACKET, Leak Detection Pump
3	6035 102	2				EPO, ERO			SCREW, Hex Flange Head Tapping, .25-14x.75, M6x1.00x20.00
4	6502 946	1				EPO, ERO			SCREW, Heat Shield, M6x1.00x13. 00, M6x1.00x11.00
5	4612 901	1	J			EPO, ERO			FILTER, Fuel Vapor Vent
6	4854 195	1	J			EPO, ERO			HOSE, Leak Detection Pump
7	6035 482	3	J			EPO, ERO			SCREW, Tapping, .19-16x.375
8	4854 195AC	1	J			EPO, ERO			HOSE, Leak Detection Pump to Canister
-9									TUBE, LDP to Intake Manifold
	53013 033AB	1				EPO			
	53013 034AB	1				ERO			

JEEP WRANGLER (TJ)			
SERIES	LINE	BODY	ENGINE
H = Sport	J = Wrangler 4WD	77 = 93.4 WB	EPE, EPO = 2.5L Power Tech
L = SE	U = Wrangler 4WD (RHD)		ERH, ERO = 4.0L Power Tech
M = X			
P = Sahara			

TRANSMISSION
DGG, DGD = 32RH 3 Spd. Auto.
DDQ = 5 Spd. Manual
DDD = 5 Speed HD Manual
DG0 = Auto. Trans.
DBB = Manual Trans.

AR = Use as required - = Non illustrated part # = New this model year

January 26, 2004

Group – DTJ

Doors and Related Parts

GROUP DTJ - Doors and Related Parts

Illustration Title

Group-Fig. No.

Front Door

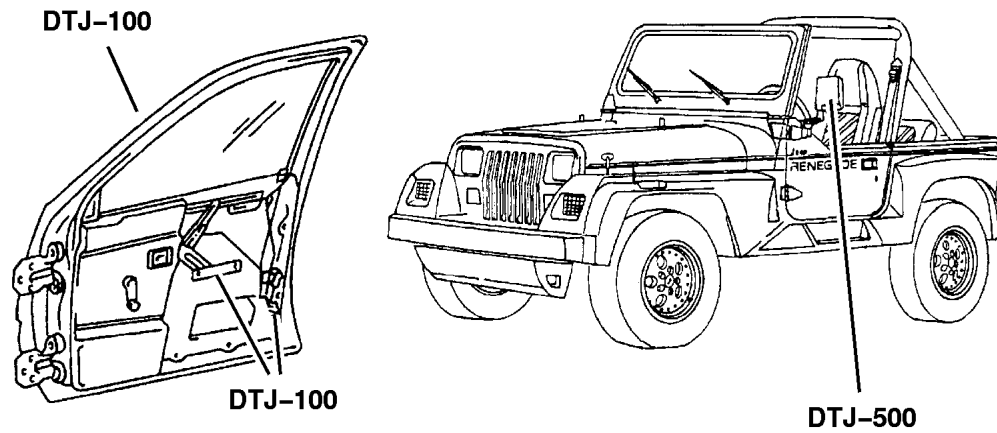
Door, Full Front Shell And Hinges	Fig. DTJ-110
Door, Full Front Glass And Regulator	Fig. DTJ-120
Door, Full Front Lock And Controls	Fig. DTJ-130
Door, Half Front Shell And Hinges	Fig. DTJ-160
Door, Half Front Lock And Controls	Fig. DTJ-170

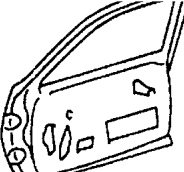
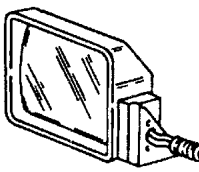
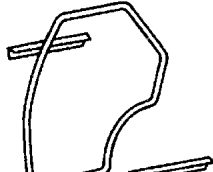
Exterior Mirror

Mirror, Exterior	Fig. DTJ-510
------------------------	--------------

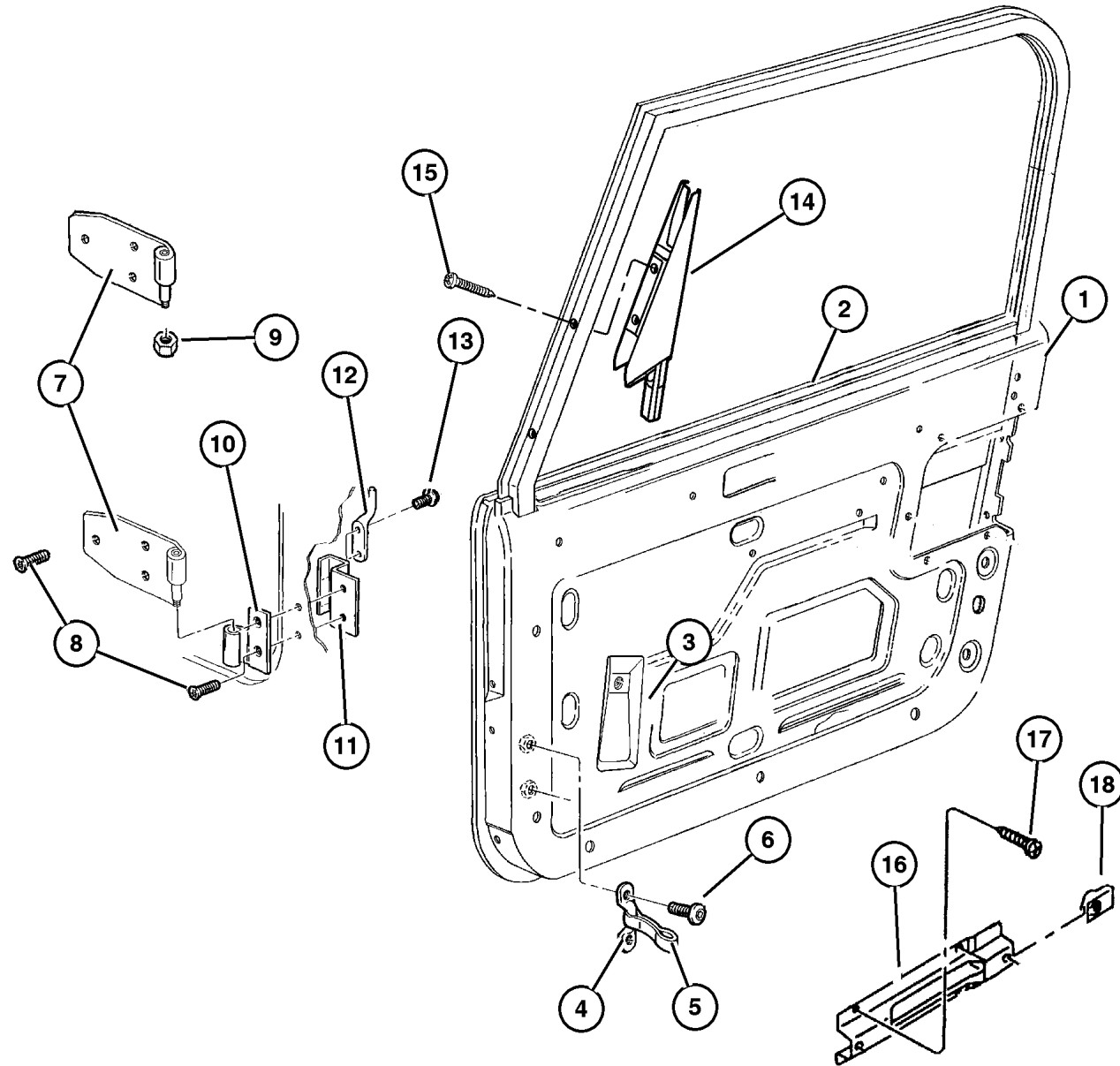
Weatherstrips and Seals

Door Weatherstrips And Runs	Fig. DTJ-610
-----------------------------------	--------------



<p>DTJ-100 Front Door</p> 	<p>DTJ-500 Exterior Mirror</p> 	<p>DTJ-600 Weatherstrips and Seals</p> 	
--	---	--	--

Door, Full Front Shell And Hinges Figure DTJ-110



ITEM	PART NUMBER	QTY	LINE	SERIES	BODY	ENGINE	TRANS	TRIM	DESCRIPTION
1									DOOR, Front, Shell
	#55176 536AE	1							Right
	#55176 537AE	1							Left
2									PANEL, Door Outer
	5517 6540	1							[Up To 1-21-02], Right
	5517 6541	1							[Up To 1-21-02], Left
	#55176 540AB	1							[After 1-21-02], Right
	#55176 541AB	1							[After 1-21-02], Left
3									WATERSHIELD, Front Door
	55175 786AF	1							Right
	55175 787AF	1							Left
4	5501 3666	2							FOOTMAN LOOP, Hold Down
5	5517 6339	2							CHECK, Front Door
6	6036 102AA	4							SCREW, .19-24.50
7									HINGE, Door Half
	5517 6366	1							Lower Right
	5517 6367	1							Lower Left
	5517 6368	1							Upper Right
	5517 6369	1							Upper Left
8	6504 443	12							SCREW
9	6504 417	4							NUT, Hex, M8x1.25
10									HINGE, Body Half
	55075 560AC	1							Right
	55075 561AC	1							Left
11	J545 9281	2							TAPPING PLATE, Door Hinge Body Half
12	J545 9286	2							PIN, Restraint Strap
13	6501 979	2							SCREW AND WASHER, Hex Head, M6x1x17
14									PANEL, Door Outer
	55176 568AB	1							Sail, Right
	55176 569AB	1							Sail, Left
15									SCREW, (NOT SERVICED) (Not Serviced)
16	55175 848AC	2							BRACKET, Grab Handle
17									SCREW, (NOT SERVICED) (Not Serviced)
18	6504 993AA	4							NUT

JEEP WRANGLER (TJ)

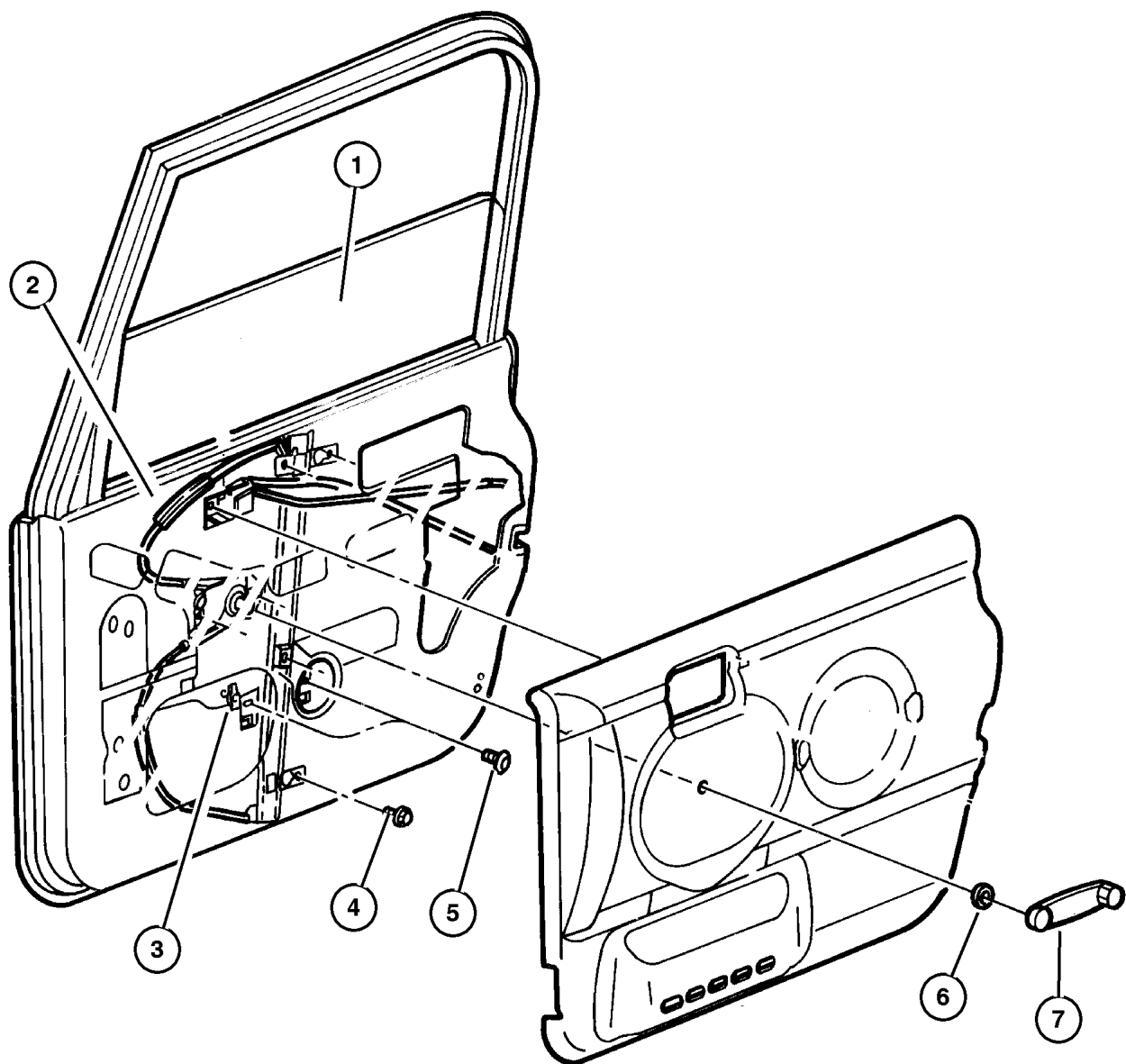
SERIES	LINE	BODY	ENGINE	TRANSMISSION
H = Sport	J = Wrangler 4WD	77 = 93.4 WB	EPE, EP0 = 2.5L Power Tech	DGG, DGD = 32RH 3 Spd. Auto.
L = SE	U = Wrangler 4WD (RHD)		ERH, ER0 = 4.0L Power Tech	DDQ = 5 Spd. Manual
M = X				DDD = 5 Speed HD Manual
P = Sahara				DG0 = Auto. Trans.
				DBB = Manual Trans.

AR = Use as required - = Non illustrated part # = New this model year

January 26, 2004

**Door, Full Front Glass And Regulator
Figure DTJ-120**

ITEM	PART NUMBER	QTY	LINE	SERIES	BODY	ENGINE	TRANS	TRIM	DESCRIPTION
1									GLASS, Door
	5517 5324	1							Right
	5517 5325	1							Left
2									REGULATOR, Front Door Window
	55076 024AC	1							Right
	55076 025AC	1							Left
3	5517 6412	4							GROMMET, Body
4									SCREW, (NOT SERVICED) (Not Serviced)
5	6035 224	4							SCREW, Pan Head Special, .25x10x.625
6	5507 6218	2							SPACER, Door Handle
7	FW80 PX9	2							HANDLE, Window Regulator, Glass



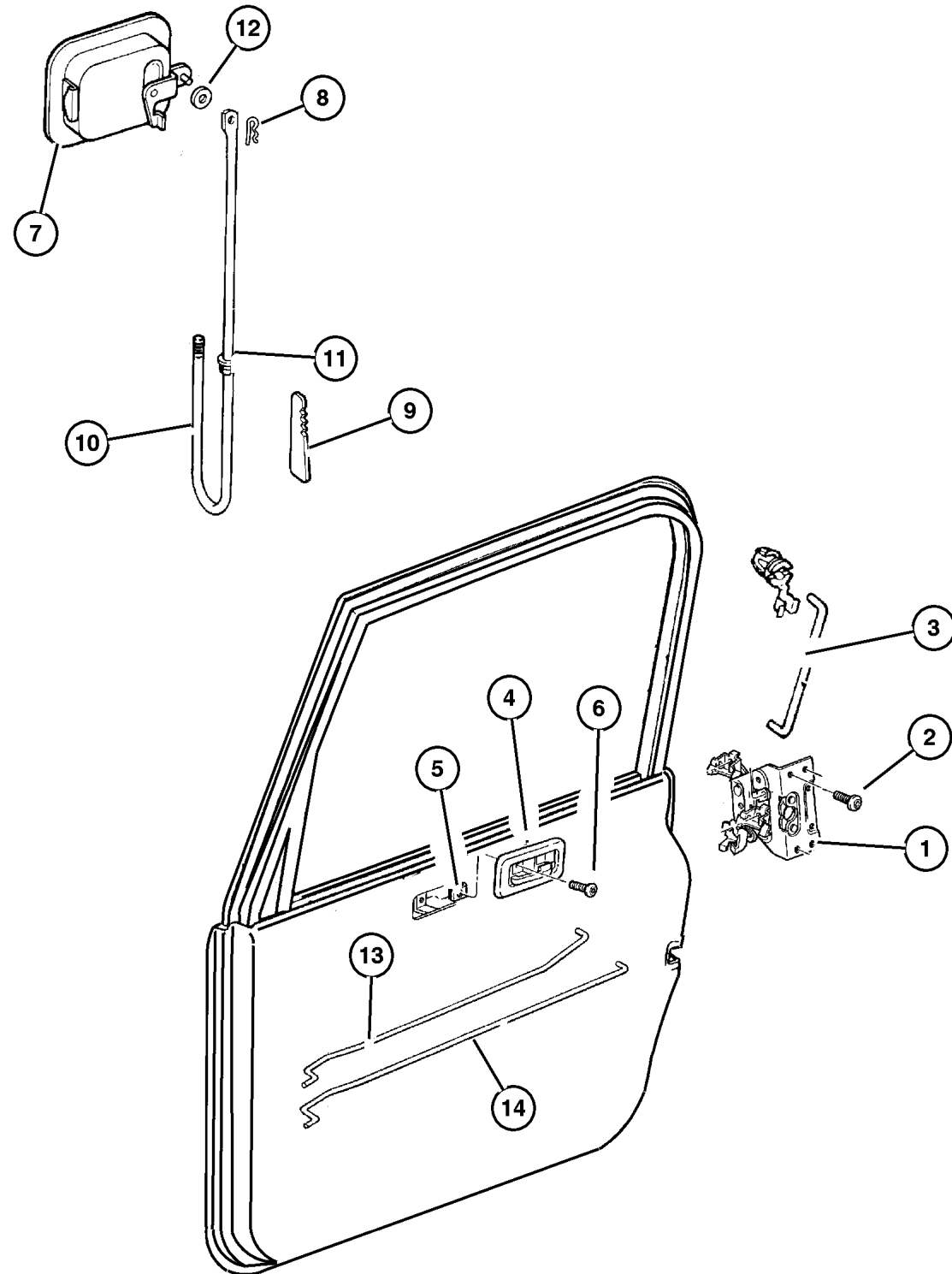
JEEP WRANGLER (TJ)

SERIES	LINE	BODY	ENGINE	TRANSMISSION
H = Sport	J = Wrangler 4WD	77 = 93.4 WB	EPE, EP0 = 2.5L Power Tech	DGG, DGD = 32RH 3 Spd. Auto.
L = SE	U = Wrangler 4WD (RHD)		ERH, ER0 = 4.0L Power Tech	DDQ = 5 Spd. Manual
M = X				DDD = 5 Speed HD Manual
P = Sahara				DG0 = Auto. Trans.
				DBB = Manual Trans.

AR = Use as required - = Non illustrated part # = New this model year

January 26, 2004

Door, Full Front Lock And Controls Figure DTJ-130



ITEM	PART NUMBER	QTY	LINE	SERIES	BODY	ENGINE	TRANS	TRIM	DESCRIPTION
1									LATCH, Front Door
	55075 990AE	1							Right
	55075 991AE	1							Left
2	6033 876	6							SCREW, Tapping, M6.3x1.8x38.1
3	5507 5989	2							LINK, Latch Locking
4									HANDLE, Inside Release
	55176 476AB	1							Right
	55176 477AB	1							Left
5	6503 998	2							NUT, U Multi Thread, M5 x .80
6	6505 026AA	2							SCREW, M5x16
7									HANDLE, Exterior Door
	55176 382AE	1							Right
	55176 383AE	1							Left
8	J400 5122	2							PIN, Hitch
9	5507 6221	4							KEEPER, Outside Handle
10									LINK, Latch Release
	5507 5992	1							Exterior Handle to Latch, Right
	5507 5993	1							Exterior Handle to Latch, Left
11	5517 6399	2							BUSHING, Door Handle
12									WASHER, (NOT SERVICED) (Not Serviced)
13									LINK, Door Latch
	55176 628AB	1							Right
	55176 629AB	1							Left
14									LINK, Door Latch
	5517 6630	1							Right
	5517 6631	1							Left
-15	55177 131AA	2							BRACKET, Door Inside, J Rod Guide

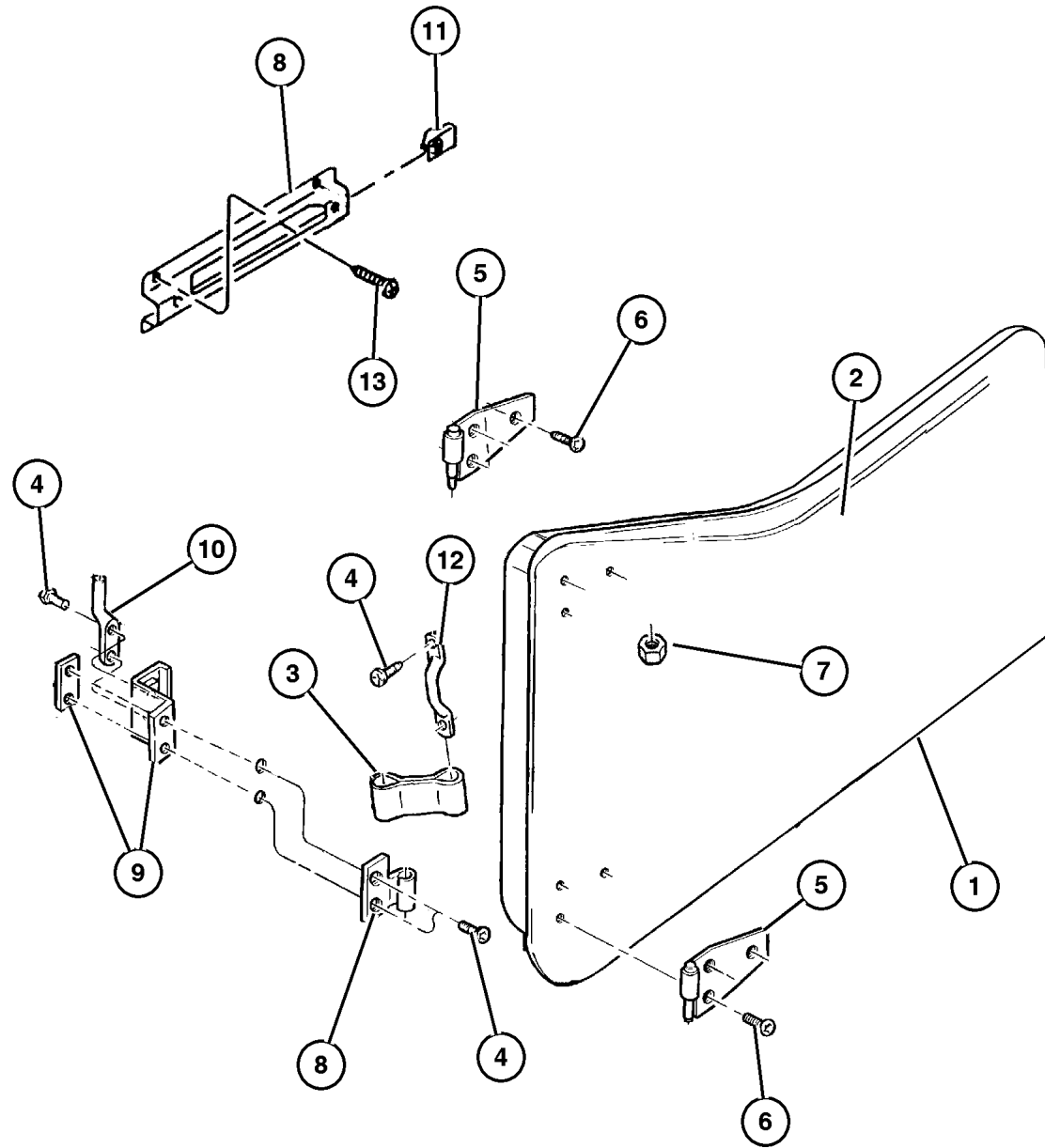
JEEP WRANGLER (TJ)

SERIES	LINE	BODY	ENGINE	TRANSMISSION
H = Sport	J = Wrangler 4WD	77 = 93.4 WB	EPE, EP0 = 2.5L Power Tech	DGG, DGD = 32RH 3 Spd. Auto.
L = SE	U = Wrangler 4WD (RHD)		ERH, ER0 = 4.0L Power Tech	DDQ = 5 Spd. Manual
M = X				DDD = 5 Speed HD Manual
P = Sahara				DG0 = Auto. Trans.
				DBB = Manual Trans.

AR = Use as required - = Non illustrated part # = New this model year

January 26, 2004

**Door, Half Front Shell And Hinges
Figure DTJ-160**



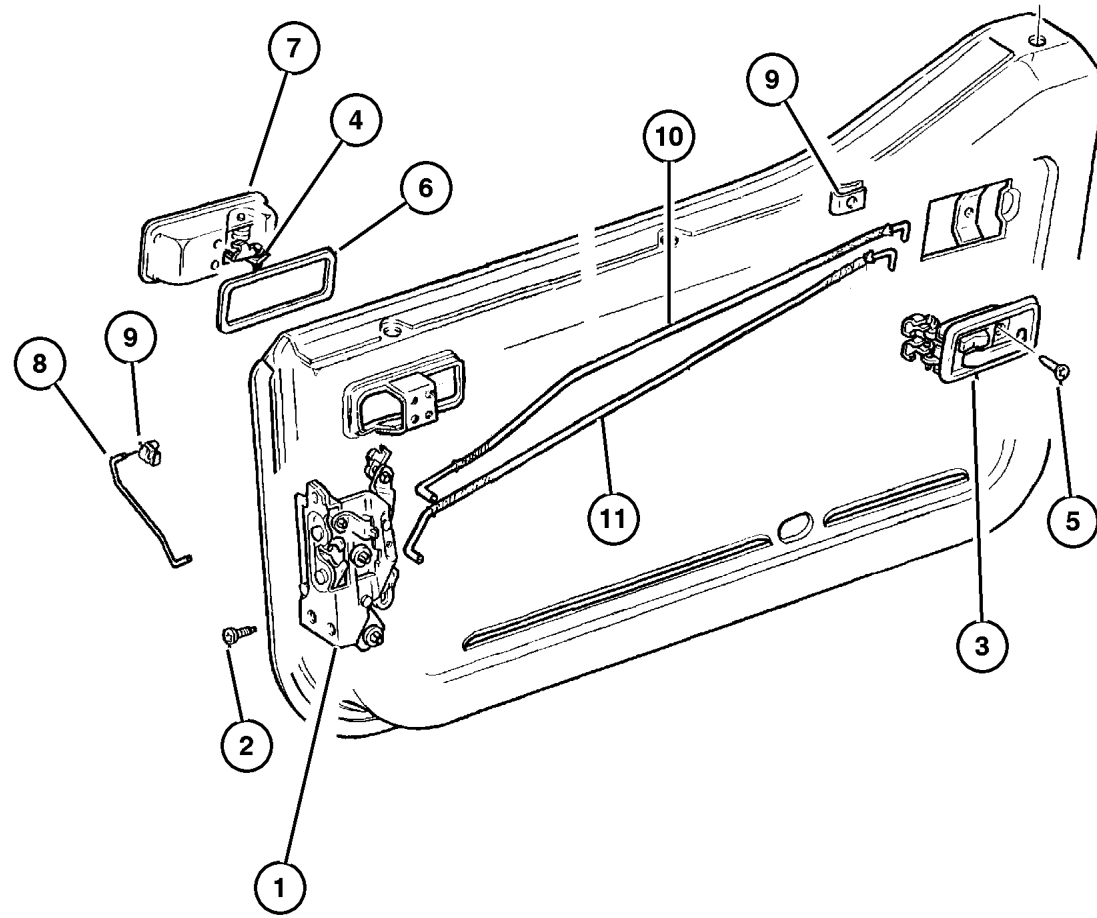
ITEM	PART NUMBER	QTY	LINE	SERIES	BODY	ENGINE	TRANS	TRIM	DESCRIPTION
1									DOOR, Front
	55174 846AB	1							Right
	55174 847AB	1							Left
2									PANEL, Door Outer
	#55175 196AB	1							Right
	#55175 197AB	1							Left
3	5517 6339	2							CHECK, Front Door
4	6035 757	8							SCREW
5									HINGE, Door Half
	5517 6366	1							Lower, Right
	5517 6367	1							Lower, Left
	5517 6368	1							Upper, Right
	5517 6369	1							Upper, Left
6	6504 443	12							SCREW
7	6504 417	4							NUT, Hex, M8x1.25
8									HINGE, Body Half
	55075 560AC	1							Right
	55075 561AC	1							Left
9	J545 9281	2							TAPPING PLATE, Door Hinge Body Half
10	J545 9286	2							PIN, Restraint Strap
11	6504 993AA	4							NUT
12	55175 849AC	2							BRACKET, Grab Handle
13									SCREW, (NOT SERVICED) (Not Serviced)

JEEP WRANGLER (TJ)

SERIES	LINE	BODY	ENGINE	TRANSMISSION
H = Sport	J = Wrangler 4WD	77 = 93.4 WB	EPE, EP0 = 2.5L Power Tech	DGG, DGD = 32RH 3 Spd. Auto.
L = SE	U = Wrangler 4WD (RHD)		ERH, ER0 = 4.0L Power Tech	DDQ = 5 Spd. Manual
M = X				DDD = 5 Speed HD Manual
P = Sahara				DG0 = Auto. Trans.
				DBB = Manual Trans.

AR = Use as required - = Non illustrated part # = New this model year

Door, Half Front Lock And Controls
Figure DTJ-170



ITEM	PART NUMBER	QTY	LINE	SERIES	BODY	ENGINE	TRANS	TRIM	DESCRIPTION
1									LATCH, Front Door
	55075 982AB	1							Right
	55075 983AB	1							Left
2	6033 876	6							SCREW, Tapping, M6.3x1.8x38.1
3									HANDLE, Inside Release
	55176 476AB	1							Right
	55176 477AB	1							Left
4	55075 974AB	2							LINK, Latch Locking
5	6505 026AA	2							SCREW, M5x16
6	J374 3608	2							SEAL, Handle, Exterior Handle
7									HANDLE, Exterior Door
	55176 548AB	1							Right
	55176 549AB	1							Left
8									LINK, Latch Release
	5507 5976	1							Right
	5507 5977	1							Left
9	6503 998	2							NUT, U Multi Thread, M5 x .80
10									LINK, Door Latch
	5517 6626	1							Right
	5517 6627	1							Left
11									LINK, Door Latch
	5517 6624	1							Right
	5517 6625	1							Left

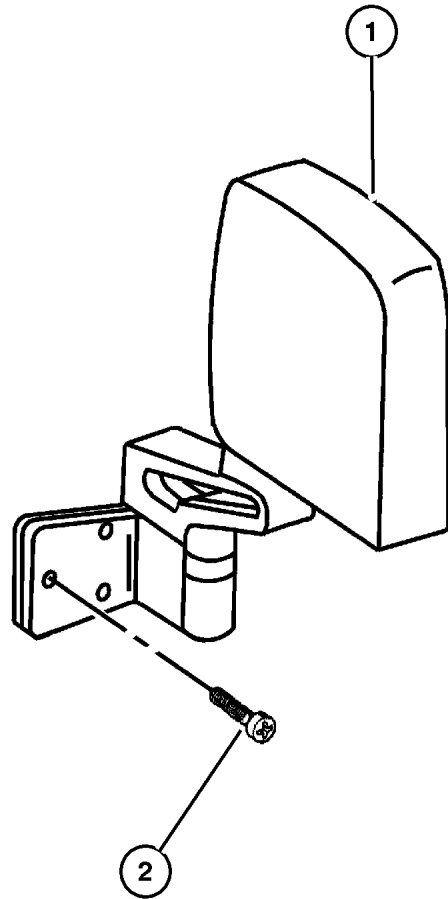
JEEP WRANGLER (TJ)

SERIES	LINE	BODY	ENGINE	TRANSMISSION
H = Sport	J = Wrangler 4WD	77 = 93.4 WB	EPE, EP0 = 2.5L Power Tech	DGG, DGD = 32RH 3 Spd. Auto.
L = SE	U = Wrangler 4WD (RHD)		ERH, ER0 = 4.0L Power Tech	DDQ = 5 Spd. Manual
M = X				DDD = 5 Speed HD Manual
P = Sahara				DG0 = Auto. Trans.
				DBB = Manual Trans.

AR = Use as required - = Non illustrated part # = New this model year

January 26, 2004

Mirror, Exterior
Figure DTJ-510



ITEM	PART NUMBER	QTY	LINE	SERIES	BODY	ENGINE	TRANS	TRIM	DESCRIPTION
------	-------------	-----	------	--------	------	--------	-------	------	-------------

Note: Sales Code GSE = Mirror Right
 Note: Sales Code GRE = Mirror Left
 Note: Sales Code GSV = Mirror Right Manual
 Note: Sales Code GRV = Mirror Left Manual

1									MIRROR, Outside Rearview
	5515 4880	1							[GSE], Right
	5515 5045	1	U						[GRC], Left
	5515 4881	1							[GRE], Left
	5515 4882	1	J						[GSV], Right
	5515 4883	1	J						[GRV], Left
	5515 5588	1	J						Middle East [GST], Right
	5515 5589	1	J						Middle East [GRT], Left
	5515 5044	1	U						[GSC], Right
2	6034 566	6							SCREW, Tapping Flange Head, .25-20x.875

JEEP WRANGLER (TJ)

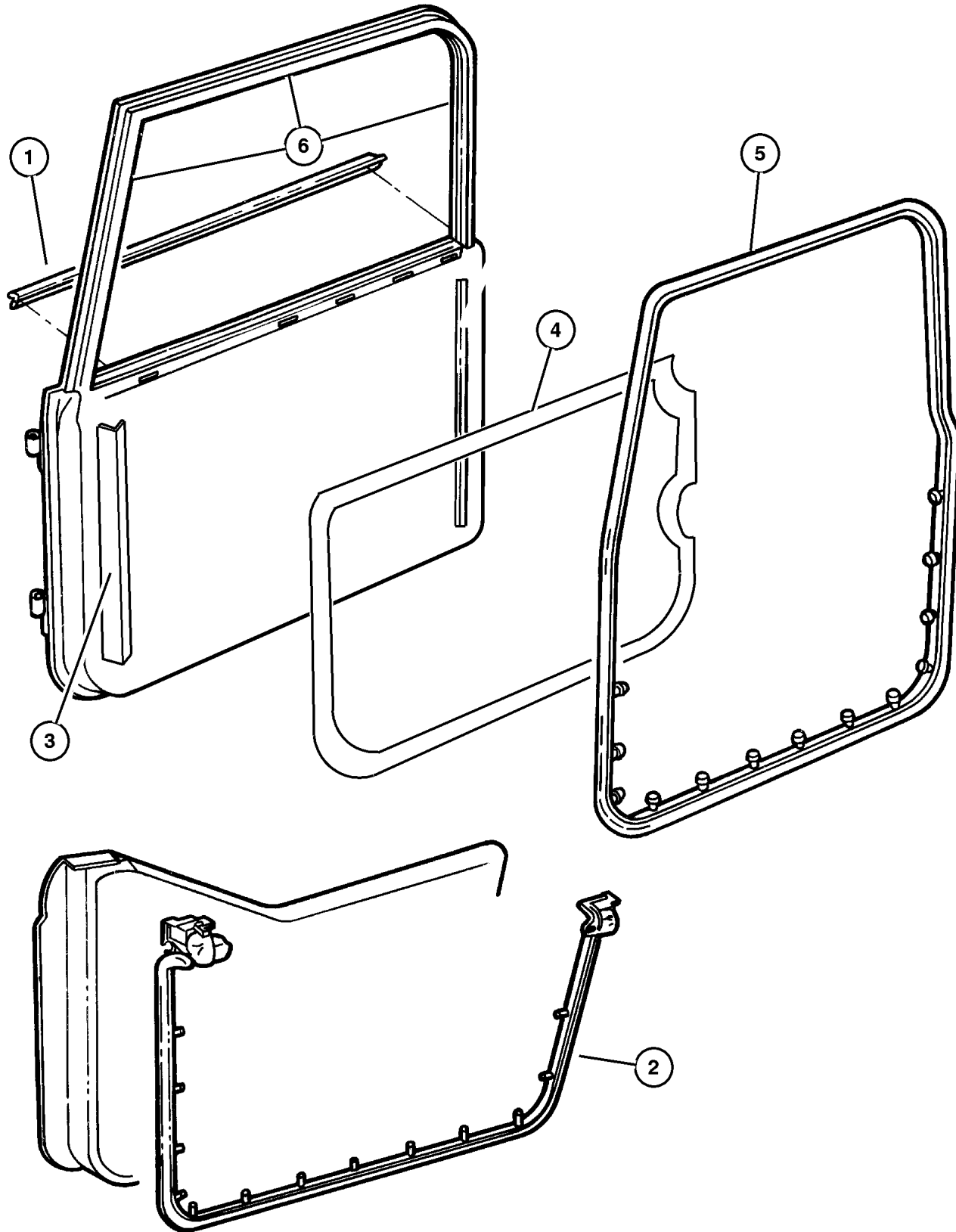
SERIES	LINE	BODY	ENGINE	TRANSMISSION
H = Sport	J = Wrangler 4WD	77 = 93.4 WB	EPE, EP0 = 2.5L Power Tech	DGG, DGD = 32RH 3 Spd. Auto.
L = SE	U = Wrangler 4WD (RHD)		ERH, ER0 = 4.0L Power Tech	DDQ = 5 Spd. Manual
M = X				DDD = 5 Speed HD Manual
P = Sahara				DG0 = Auto. Trans.
				DBB = Manual Trans.

AR = Use as required - = Non illustrated part # = New this model year

January 26, 2004

Door Weatherstrips And Runs Figure DTJ-610

ITEM	PART NUMBER	QTY	LINE	SERIES	BODY	ENGINE	TRANS	TRIM	DESCRIPTION
1									WEATHERSTRIP, Door Belt
	55176 564AC	1							Right
	55176 565AC	1							Left
2									TEMPLATE PACKAGE, Weatherseal
	5017 010AB	1							Right
	5017 011AB	1							Left
3	55175 750AB	2							WEATHERSTRIP, Glass Channel Run, Front
4									WATERSHIELD, Front Door
	55175 786AF	1							Right
	55175 787AF	1							Left
5									WEATHERSTRIP, Front Door
	5017 462AC	1							Right
	5017 463AC	1							Left
6	55175 226AB	2							WEATHERSTRIP, Glass Channel Run



JEEP WRANGLER (TJ)

SERIES	LINE	BODY	ENGINE	TRANSMISSION
H = Sport	J = Wrangler 4WD	77 = 93.4 WB	EPE, EP0 = 2.5L Power Tech	DGG, DGD = 32RH 3 Spd. Auto.
L = SE	U = Wrangler 4WD (RHD)		ERH, ER0 = 4.0L Power Tech	DDQ = 5 Spd. Manual
M = X				DDD = 5 Speed HD Manual
P = Sahara				DG0 = Auto. Trans.
				DBB = Manual Trans.

AR = Use as required - = Non illustrated part # = New this model year

January 26, 2004

Group – ETJ

Exterior Ornamentation

GROUP ETJ - Exterior Ornamentation

Illustration Title

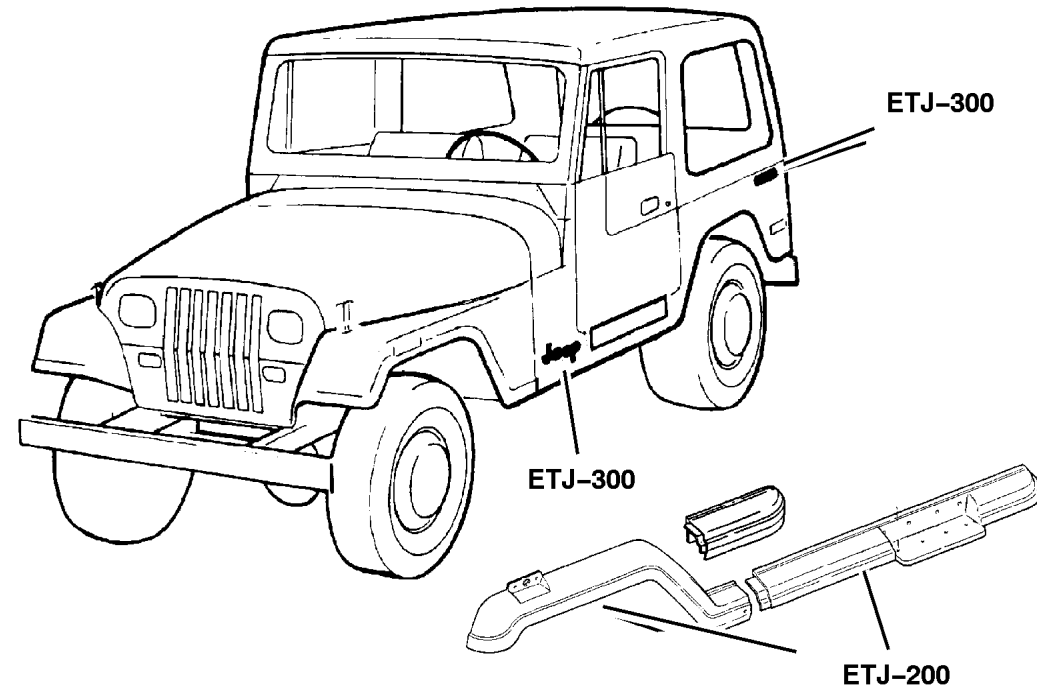
Group-Fig. No.

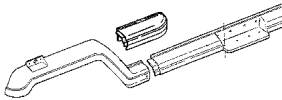
Moldings and Ornamentation

Moldings Fig. ETJ-210

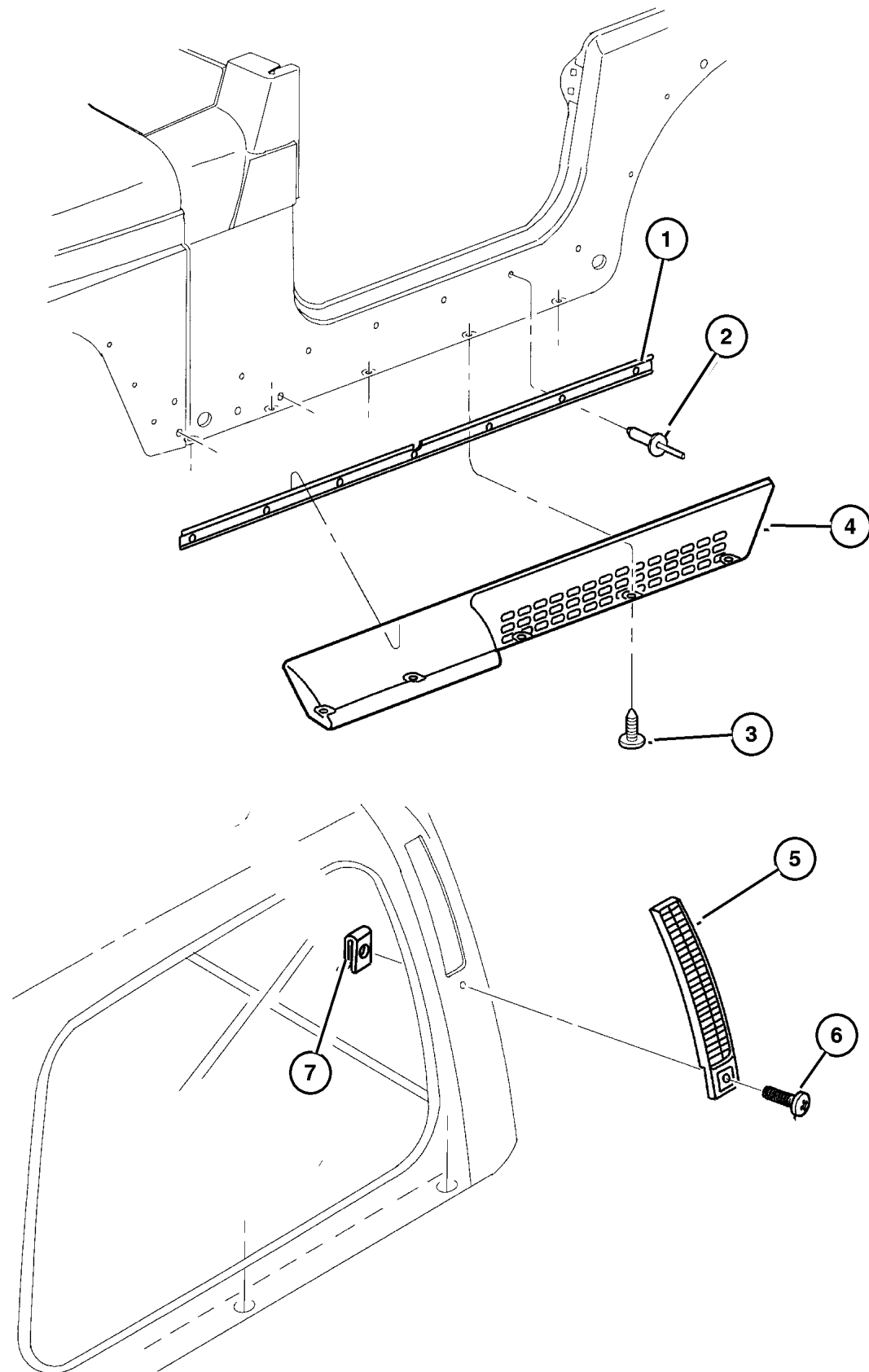
Decals and Tapestripes

Decals Fig. ETJ-310



<p>ETJ-200 Moldings and Ornamentation</p> 	<p>ETJ-300 Decals and Tapestripes</p> <p>JEEP</p> <p>WRANGLER</p>		
--	--	--	--

Mouldings Figure ETJ-210



ITEM	PART NUMBER	QTY	LINE	SERIES	BODY	ENGINE	TRANS	TRIM	DESCRIPTION
1	55174 995AB	2		P					RAIL, Sill Molding Hanger
2	3420 1597	14		P					RIVET, Dome Head Blind, .1875x.625
3	6030 441	2	J						PIN, Retainer
4									MOLDING, Body Side, Service Dealer Paint
	5DS7 6TX8	1		P					Right
	5DS7 7TX8	1		P					Left
5									EXHAUSTER, Front Door
	5503 6306	1							Right
	5503 6307	1							Left
6									SCREW, (NOT SERVICED) (Not Serviced)
7									NUT, (NOT SERVICED) (Not Serviced)

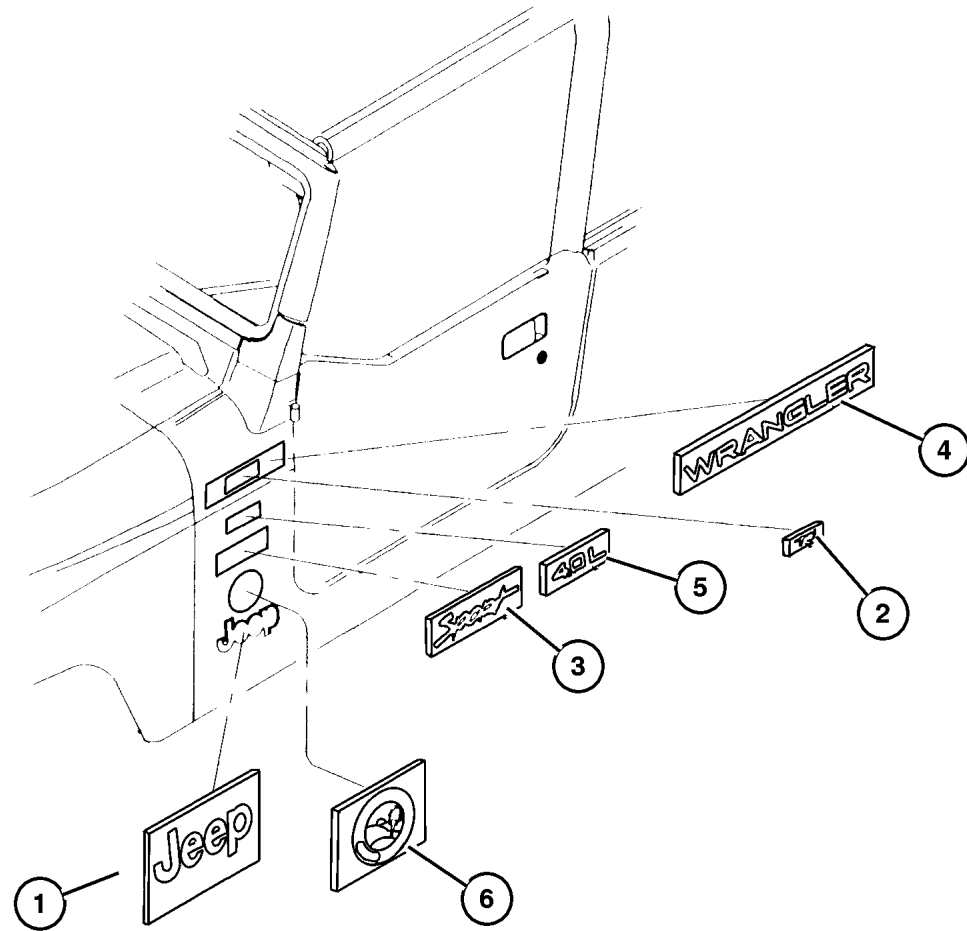
JEEP WRANGLER (TJ)

SERIES	LINE	BODY	ENGINE	TRANSMISSION
H = Sport	J = Wrangler 4WD	77 = 93.4 WB	EPE, EP0 = 2.5L Power Tech	DGG, DGD = 32RH 3 Spd. Auto.
L = SE	U = Wrangler 4WD (RHD)		ERH, ER0 = 4.0L Power Tech	DDQ = 5 Spd. Manual
M = X				DDD = 5 Speed HD Manual
P = Sahara				DG0 = Auto. Trans.
				DBB = Manual Trans.

AR = Use as required - = Non illustrated part # = New this model year

January 26, 2004

Decals Figure ETJ-310



ITEM	PART NUMBER	QTY	LINE	SERIES	BODY	ENGINE	TRANS	TRIM	DESCRIPTION
1									DECAL, Bodyside, JEEP
	5FC84 HA2AB	2							[KWP]
	5FC84 HA9AB	2							[KWR]
2									DECAL
	5FE5 6TA2	2	J						[KVP]
	5FE5 6TA9	2	J						[KVR]
3									DECAL, Bodyside, SPORT
	5FC8 1HA2	2							[KFP]
	5FC8 1HA9	2							[KFR]
4									DECAL, Bodyside, Wrangler
	5FC8 3TA2	2							[KXP]
	5FC8 3TA9	2							[KXR]
5									DECAL, 4.0L High Output
	5FC8 5TA2	2							[KYP]
	5FC8 5TA9	2							[KYR]
6	5FE5 2WGK	2							DECAL, Sahara, [KBT]
-7	5515 5566	2							PROTECTOR, Door Opening, Lower Door
-8									DECAL
	5FE5 6TA2	2	J						[KVP]
	5FE5 6TA9	2	J						[KVR]
-9									DECAL
	#XG46 HA2AA	1							[KLP], Apex
	#XG46 HA9AA	1							[KLR], Apex
	#XG47 HA2AA	1							[KKP], Strobe Front Hood
	#XG47 HA9AA	1							[KKR], Strobe Front Hood
	#XG49 HA2AA	1							[KLP], Strobe Rear Hood
	#XG49 HA9AA	1							[KLR], Strobe Rear Hood
	#5JF14 HA2AA	2							[KDP], [X]
	#5JF14 HA9AA	2							[KDR], [X]

JEEP WRANGLER (TJ)

SERIES	LINE	BODY	ENGINE	TRANSMISSION
H = Sport	J = Wrangler 4WD	77 = 93.4 WB	EPE, EP0 = 2.5L Power Tech	DGG, DGD = 32RH 3 Spd. Auto.
L = SE	U = Wrangler 4WD (RHD)		ERH, ER0 = 4.0L Power Tech	DDQ = 5 Spd. Manual
M = X				DDD = 5 Speed HD Manual
P = Sahara				DG0 = Auto. Trans.
				DBB = Manual Trans.

AR = Use as required - = Non illustrated part # = New this model year

January 26, 2004

Group – ITJ

Interior Trim

GROUP ITJ - Interior Trim

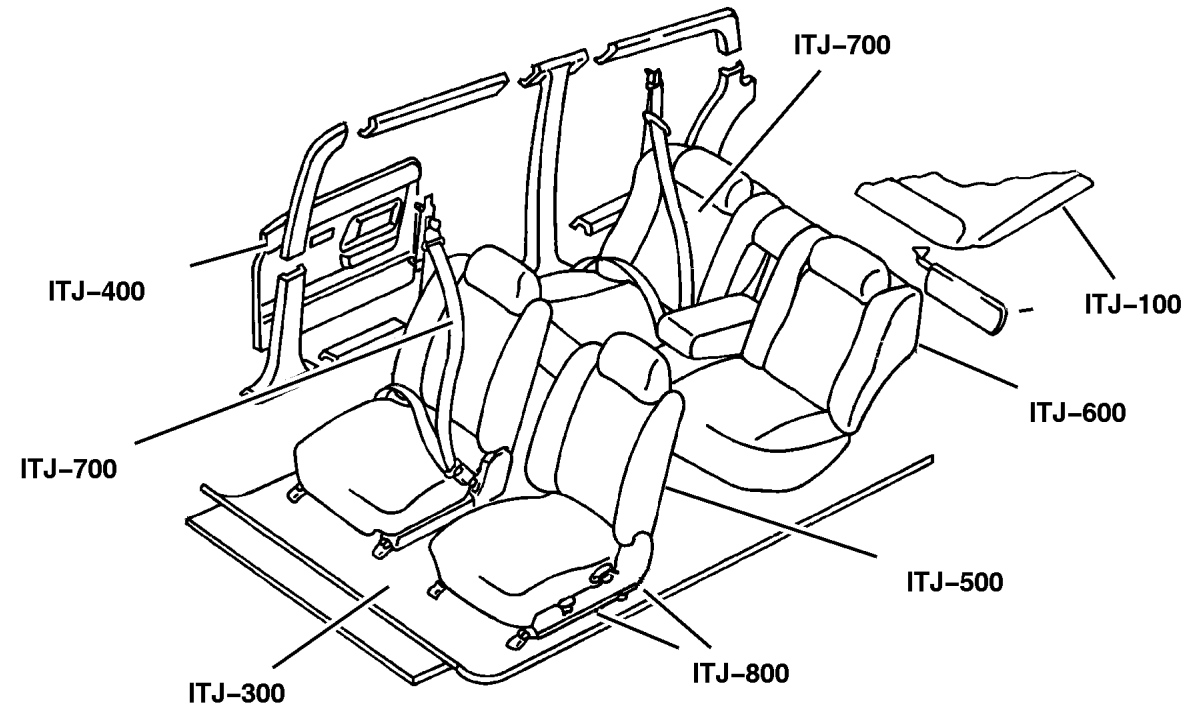


Illustration Title

Group-Fig. No.

Headliner and Visor

Sunvisors Fig. ITJ-110

Carpet

Carpets And Interior Trim Panels Fig. ITJ-310

Door Trim Panels- Front and Sliding

Door Trim Panels Half Doors & Full Doors Fig. ITJ-410

Front Seats and Attaching Parts

Front Seats Fig. ITJ-510

Rear Seats and Attaching Parts

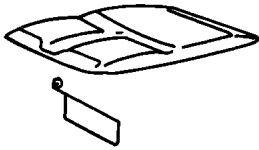
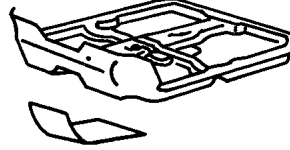
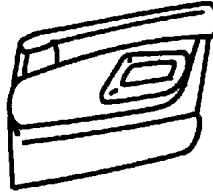

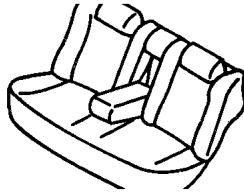

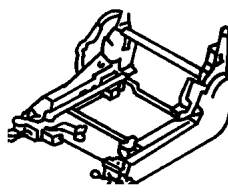
Seat Assemblies, Seat Covers Rear Seat Fig. ITJ-610

Seat Belts-Front and Rear

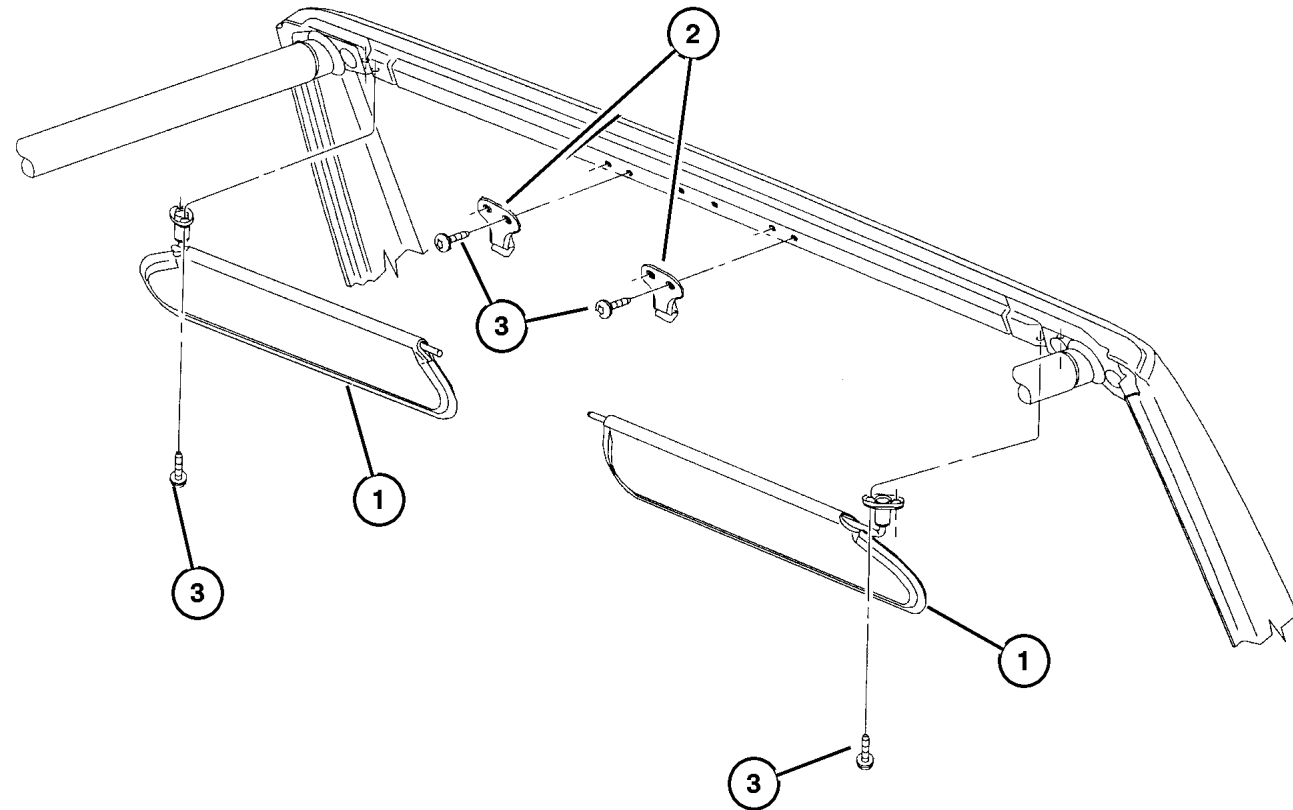
Seat Belts Fig. ITJ-710

Adjusters, Covers, Shields, and Risers

Seat Assemblies, Adjusters, Recliners Fig. ITJ-810

<p>ITJ-100 Headliner and Visor</p> 	<p>ITJ-300 Carpet</p> 	<p>ITJ-400 Door Trim Panels- Front and Sliding</p> 	<p>ITJ-500 Front Seats and Attaching Parts</p> 
<p>ITJ-600 Rear Seats and Attaching Parts</p> 	<p>ITJ-700 Seat Belts-Front and Rear</p> 	<p>ITJ-800 Adjusters, Covers, Shields, and Risers</p> 	

**Sunvisors
Figure ITJ-110**



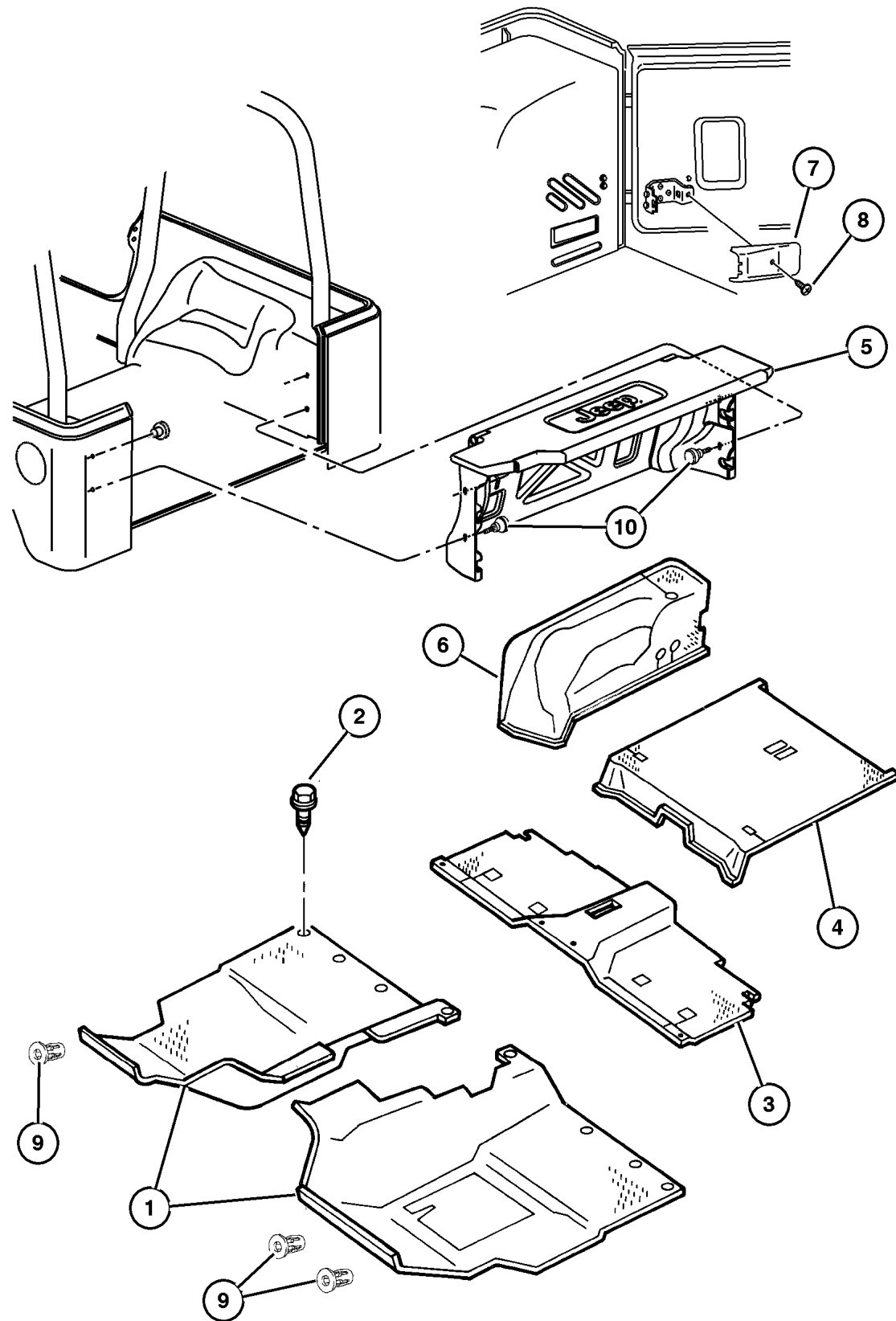
ITEM	PART NUMBER	QTY	LINE	SERIES	BODY	ENGINE	TRANS	TRIM	DESCRIPTION
1									VISOR
	5EP34 LAZAH	1	J						[AZ, K5], Right
	5EP34 RK5AH	1	J						[KG], Right
	5EP35 LAZAH	1	J						[AZ, K5], Left
	5EP35 RK5AH	1	J						[KG], Left
	#5FP02 LAZAH	1	U						[AZ, K5], Right
	#5FP02 RK5AH	1	U						[KG], Right
	5FP03 LAZAH	1	U						[AZ, K5], Left
	5FP03 RK5AH	1	U						[KG], Left
2	55217 264AB	2							SUPPORT, Visor
3									SCREW, .164-18x.75, (NOT SERVICED) (Not Serviced)

JEEP WRANGLER (TJ)				
SERIES	LINE	BODY	ENGINE	TRANSMISSION
H = Sport	J = Wrangler 4WD	77 = 93.4 WB	EPE, EP0 = 2.5L Power Tech	DGG, DGD = 32RH 3 Spd. Auto.
L = SE	U = Wrangler 4WD (RHD)		ERH, ER0 = 4.0L Power Tech	DDQ = 5 Spd. Manual
M = X				DDD = 5 Speed HD Manual
P = Sahara				DG0 = Auto. Trans.
				DBB = Manual Trans.

AR = Use as required - = Non illustrated part # = New this model year

January 26, 2004

Carpets And Interior Trim Panels
Figure ITJ-310



ITEM	PART NUMBER	QTY	LINE	SERIES	BODY	ENGINE	TRANS	TRIM	DESCRIPTION
1									CARPET, Front Floor
	5FV51 LAZAE	1	J						[AZ], Left
	5FV51 VK9AE	1	J						[KG, K5], Left
	5FW14 LAZAG	1	U						[AZ], Right
	5FW14 VK9AG	1	U						[KG, K5], Right
	5FW15 LAZAE	1	U						[AZ], Left
	5FW15 VK9AE	1	U						[KG, K5], Left
	5FW50 LAZAG	1	J						[AZ], Right
	5FW50 VK9AG	1	J						[KG, K5], Right
2	J400 7545	2							SCREW AND WASHER, Snap Head, .164-18x.375
3									CARPET, Rear Floor
	5FV4 9LAZ	1							[AZ], With Mini Console
	5FV4 9VK9	1							[KG, K5], With Mini Console
	5HG24 LAZAA	1							[AZ], With Full Console
	5HG24 VK9AA	1							[KG, K5], With Full Console
4									CARPET, Cargo Floor
	5FW16 LAZAF	1							[AZ]
	5FW16 VK9AF	1							[KG, K5]
5									PANEL, Add A Trunk, With Latches
	5GY84 1AZAC	1							[AZ]
	5GY84 1K5AC	1							[KG, K5]
6									CARPET, Wheelhouse
	5FV16 LAZAE	1							[AZ], Right
	5FV16 VK9AE	1							[KG, K5], Right
	5FV17 LAZAF	1							[AZ], Left
	5FV17 VK9AF	1							[KG, K5], Left
7	5521 7099	1							COVER, Contact Button
8									SCREW, .164-18x.625, (NOT SERVICED) (Not Serviced)
9									NUT, Push On
	6503 274	5	U						
		4	J						
10	55352 813AA	4							KNOB
-11									MAT KIT, Floor - Front, Right Hand Drive
	5JD18 LAZAA	1	U						[AZ]
	5JD18 VK9AA	1	U						[K5, KG]

JEEP WRANGLER (TJ)

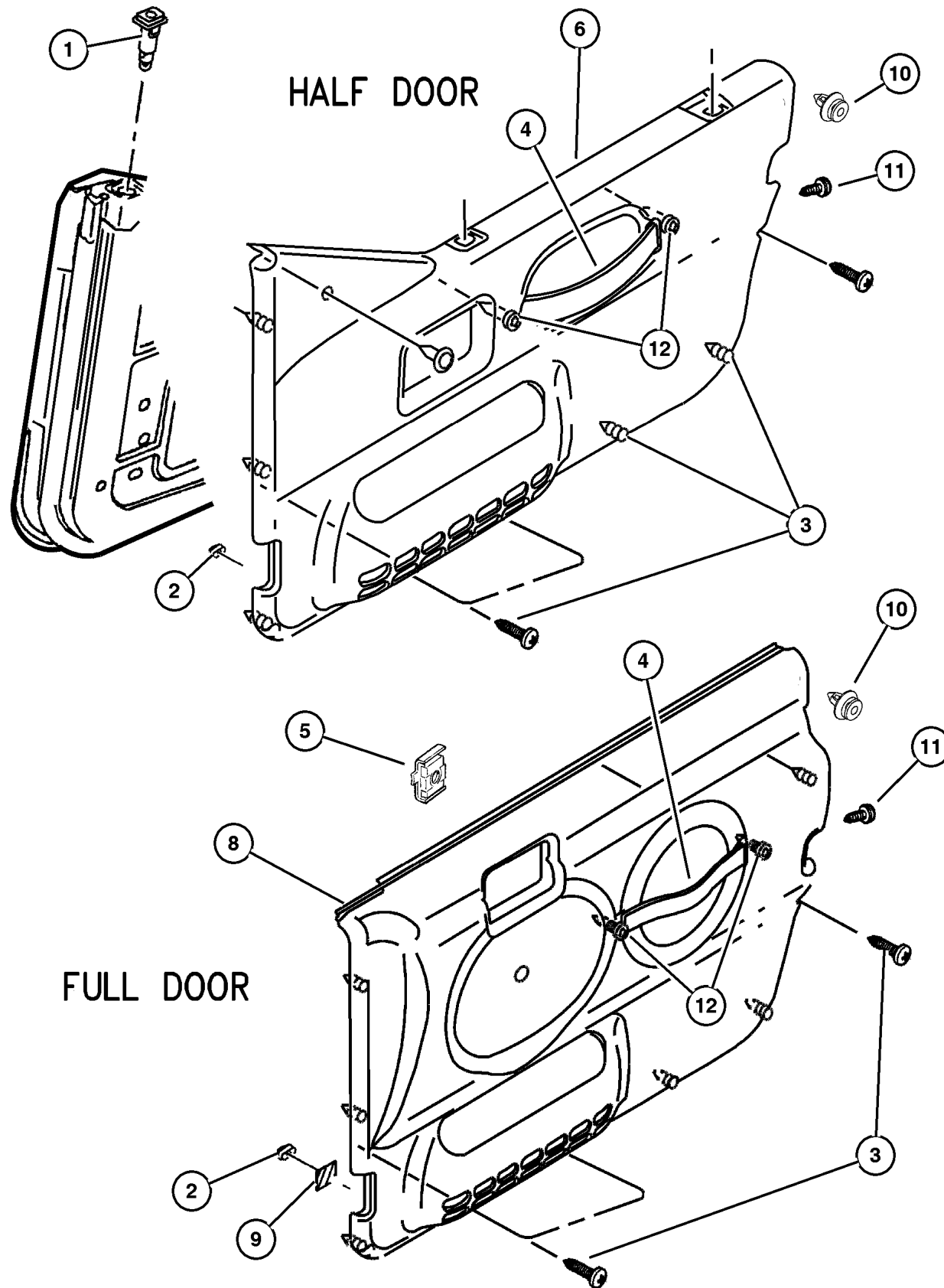
SERIES	LINE	BODY	ENGINE	TRANSMISSION
H = Sport	J = Wrangler 4WD	77 = 93.4 WB	EPE, EP0 = 2.5L Power Tech	DGG, DGD = 32RH 3 Spd. Auto.
L = SE	U = Wrangler 4WD (RHD)		ERH, ER0 = 4.0L Power Tech	DDQ = 5 Spd. Manual
M = X				DDD = 5 Speed HD Manual
P = Sahara				DG0 = Auto. Trans.
				DBB = Manual Trans.

AR = Use as required - = Non illustrated part # = New this model year

January 26, 2004

**Door Trim Panels Half Doors & Full Doors
Figure ITJ-410**

ITEM	PART NUMBER	QTY	LINE	SERIES	BODY	ENGINE	TRANS	TRIM	DESCRIPTION
1	5EJ6 4LAZ	6							GROMMET, Door Window Stabilizer [AZ]
	5EJ6 4RK5	6							[KG, K5]
2	3420 1872	4							NUT, Snap In, M4.2 x 1.41
3	6504 617	2							SCREW, M4.2-1.41x13
4	5ES4 3TAZ	1							HANDLE, Door Interior, [AZ, KG, K5]
5	6504 993AA	4							NUT
6	5DY64 1K5AC	1							PANEL, Door Trim [KG, K5], Right
	5DY64 LAZAC	1							[AZ], Right
	5DY65 1K5AC	1							[KG, K5], Left
	5DY65 LAZAC	1							[AZ], Left
-7									PIN, Push
	5FP8 4LAZ	4							[AZ]
	5FP8 4RK5	4							[KG, K5]
8	5DY66 1K5AD	1							PANEL, Door Trim [KG, K5], Right
	5DY66 LAZAD	1							[AZ], Right
	5DY67 1K5AD	1							[KG, K5], Left
	5DY67 LAZAD	1							[AZ], Left
9	4696 841	4							TAPE, Door Trim Seal
10	6504 014	6							FASTENER, Door Trim Panel
11	6504 617	2							SCREW, M4.2-1.41x13
12	6035 747	2							SCREW, M4.2-1.41x13

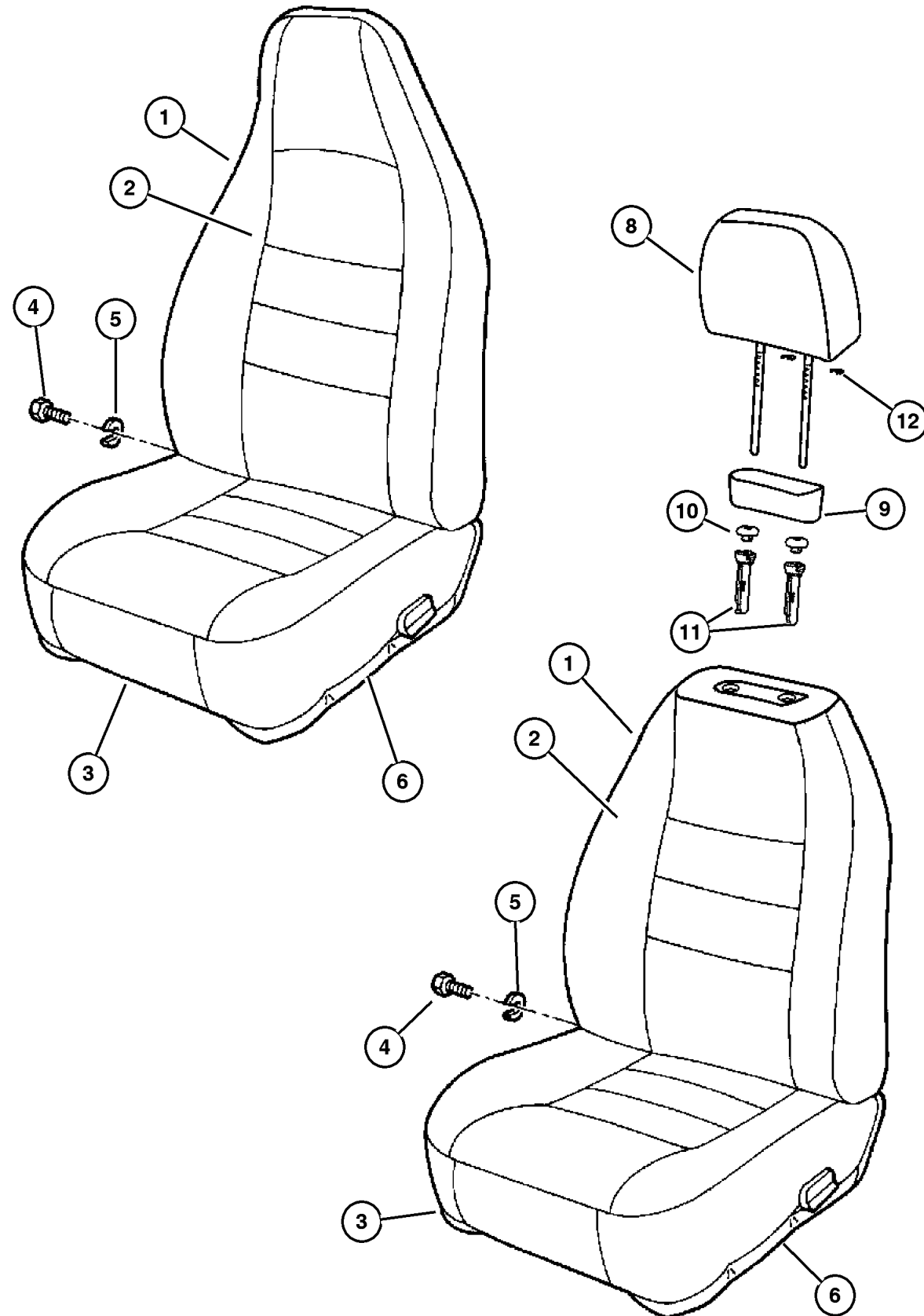


JEEP WRANGLER (TJ)
 SERIES LINE BODY ENGINE TRANSMISSION
 H = Sport J = Wrangler 4WD 77 = 93.4 WB EPE, EP0 = 2.5L Power Tech DGG, DGD = 32RH 3 Spd. Auto.
 L = SE U = Wrangler 4WD (RHD) ERH, ER0 = 4.0L Power Tech DDQ = 5 Spd. Manual
 M = X DDD = 5 Speed HD Manual
 P = Sahara DG0 = Auto. Trans.
 DBB = Manual Trans.

AR = Use as required - = Non illustrated part # = New this model year

January 26, 2004

Front Seats Figure ITJ-510



ITEM	PART NUMBER	QTY	LINE	SERIES	BODY	ENGINE	TRANS	TRIM	DESCRIPTION
1									SEAT BACK, Front
	UJ28 1KGAA	1	U					D7	[KG], Right,Export
	UH11 1K5AA	1	U					E6	[K5], Left,Export
	UW20 1AZAA	1	U					E6	[AZ], Right,Export
	UW20 1K5AA	1	U					E6	[K5], Right,Export
	UH81 1K5AA	1	J					E7	[K5], Left
	UH81 1AZAA	1	J					E7	[AZ], Left
	UH80 1K5AA	1	J					E7	[K5], Right
	UH80 1AZAA	1	J					E7	[AZ], Right
	UH81 1K5AA	1	U					E7	[K5], Left
	UH81 1AZAA	1	U					E7	[AZ], Left
	UH80 1K5AA	1	U					E7	[K5], Right
	UJ25 1KGAA	1	U					D7	[KG], Left,Export
	UH80 1AZAA	1	U					E7	[AZ], Right
	#XJ10 1UCAA	1						J5	Right
	#XJ11 1UCAA	1						J5	Left
	#XH05 1AZAA	1						L5	[AZ], Without Easy Entry, Left
	#XH05 1K5AA	1						L5	[K5], Without Easy Entry, Left
	UW27 1AZAA	1	U					L5	[AZ], With Easy Entry, Left
	UW26 1AZAA	1	U					L5	[AZ], Right
	UW27 1K5AA	1	U					L5	[K5], With Easy Entry, Left
		1	J					L5	[K5], With Easy Entry, Left
	UW26 1AZAA	1	J					L5	[AZ], Right
	UJ28 1KGAA	1	J					D7	[KG], Right,Export
	UW27 1AZAA	1	J					L5	[AZ], With Easy Entry, Left
	UW26 1K5AA	1	J					L5	[K5], Right
		1	U					L5	[K5], Right
	UW29 1KGAA	1	J					M5	[KG], With Easy Entry, Left
		1	J					M5	[KG], Left,Export
	UW28 1KGAA	1	J					M5	[KG], Right,Export
		1	U					M5	[KG], Right,Export
	UW29 1KGAA	1	U					M5	[KG], With Easy Entry, Left
		1	U					M5	[KG], Left,Export
	UP51 1KGAA	1						M5	[KG], Without Easy Entry, Left
	UJ25 1KGAA	1	J					D7	[KG], Left,Export
	UW28 1KGAA	1						M5	[KG], Right
	UW20 1K5AA	1	J					E6	[K5], Right,Export
	UW20 1AZAA	1	J					E6	[AZ], Right,Export
	UH11 1K5AA	1	J					E6	[K5], Left,Export
	UH11 1AZAA	1	J					E6	[AZ], Left,Export
		1	U					E6	[AZ], Left,Export
2									COVER, Front Seat Back

JEEP WRANGLER (TJ)

SERIES
H = Sport
L = SE
M = X
P = Sahara

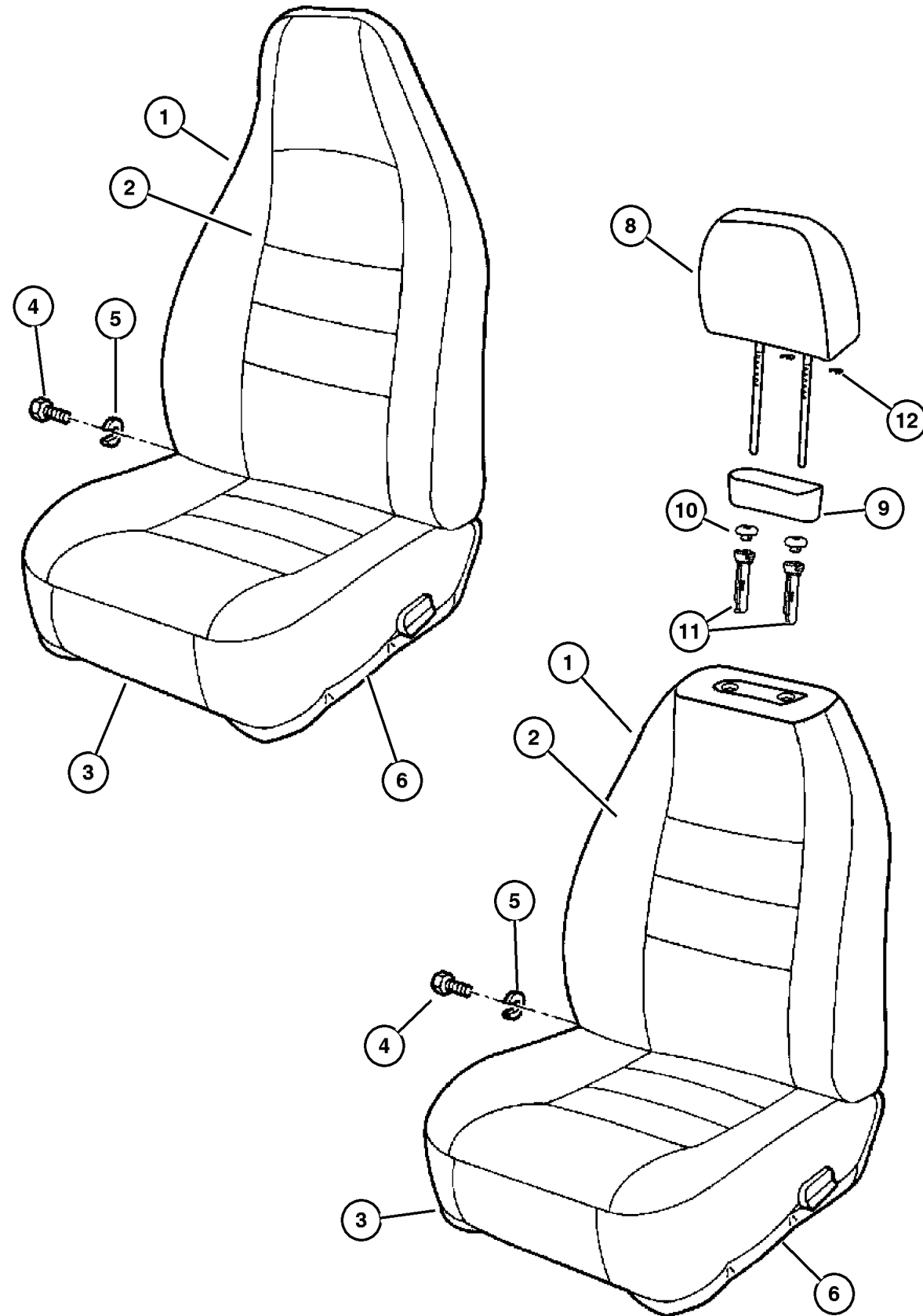
LINE
J = Wrangler 4WD
U = Wrangler 4WD (RHD)

BODY
77 = 93.4 WB

ENGINE
EPE, EP0 = 2.5L Power Tech
ERH, ER0 = 4.0L Power Tech

TRANSMISSION
DGG, DGD = 32RH 3 Spd. Auto.
DDQ = 5 Spd. Manual
DDD = 5 Speed HD Manual
DG0 = Auto. Trans.
DBB = Manual Trans.

Front Seats Figure ITJ-510



ITEM	PART NUMBER	QTY	LINE	SERIES	BODY	ENGINE	TRANS	TRIM	DESCRIPTION
	UJ26 1KGAA	1	U					D7	[KG], Right,Export
	UG84 1AZAA	1	J					E6	[AZ], Right
		1	U					E6	[AZ], Right
	UH53 1AZAA	1	U					E6	[AZ], Left,Export
	UH53 1K5AA	1	U					E6	[K5], Left,Export
	UG84 1K5AA	1	U					E6	[K5], Right
	UJ34 1AZAA	1	U					E7	[AZ], Right
	UJ34 1K5AA	1	U					E7	[K5], Right
	UJ35 1K5AA	1	U					E7	[K5], Left
	UJ35 1AZAA	1	U					E7	[AZ], Left
	UJ35 1K5AA	1	J					E7	[K5], Left
	UJ27 1KGAA	1	U					D7	[KG], Left,Export
	UJ35 1AZAA	1	J					E7	[AZ], Left
	UJ34 1K5AA	1	J					E7	[K5], Right
	UJ34 1AZAA	1	J					E7	[AZ], Right
	#XJ12 1UCAA	1						J5	Right
	#XJ13 1UCAA	1						J5	Left
	UH60 1K5AA	1						L5	[K5], Right
	UH60 1AZAA	1						L5	[AZ], Right
	#XH07 1AZAA	1						L5	[AZ], Without Easy Entry, Left
	#XH07 1K5AA	1	J					L5	[K5], Without Easy Entry, Left
	UH61 1K5AA	1						L5	[K5], With Easy Entry, Left
	UJ27 1KGAA	1	J					D7	[KG], Left,Export
	UH61 1AZAA	1						L5	[AZ], With Easy Entry, Left
	SG81 1KGAA	1						M5	[KG], With Easy Entry, Left
	SG80 1KGAA	1						M5	[KG], Right
	#XF53 1KGAA	1	J					M5	[KG], Without Easy Entry, Left
	UJ26 1KGAA	1	J					D7	[KG], Right,Export
	UG84 1K5AA	1	J					E6	[K5], Right
	UG85 1AZAA	1	J					E6	[AZ], Left
	UG85 1K5AA	1	J					E6	[K5], Left
	UH53 1K5AA	1	J					E6	[K5], Left,Export
	UH53 1AZAA	1	J					E6	[AZ], Left,Export
3									COVER AND PAD, Cushion
	PY52 1KG	1	U					D7	[KG], Right
	UG83 1K5AA	1	U					E6	[K5], Left
	UG82 1K5AA	1	U					E6	[K5], Right
	UG82 1AZAA	1	U					E6	[AZ], Right
	UH55 1K5AA	1	J					E7	[K5], Left
	UH55 1AZAA	1	J					E7	[AZ], Left
	UH54 1AZAA	1	J					E7	[AZ], Right
	UH54 1K5AA	1	J					E7	[K5], Right

JEEP WRANGLER (TJ)

SERIES
H = Sport
L = SE
M = X
P = Sahara

LINE
J = Wrangler 4WD
U = Wrangler 4WD (RHD)

BODY
77 = 93.4 WB

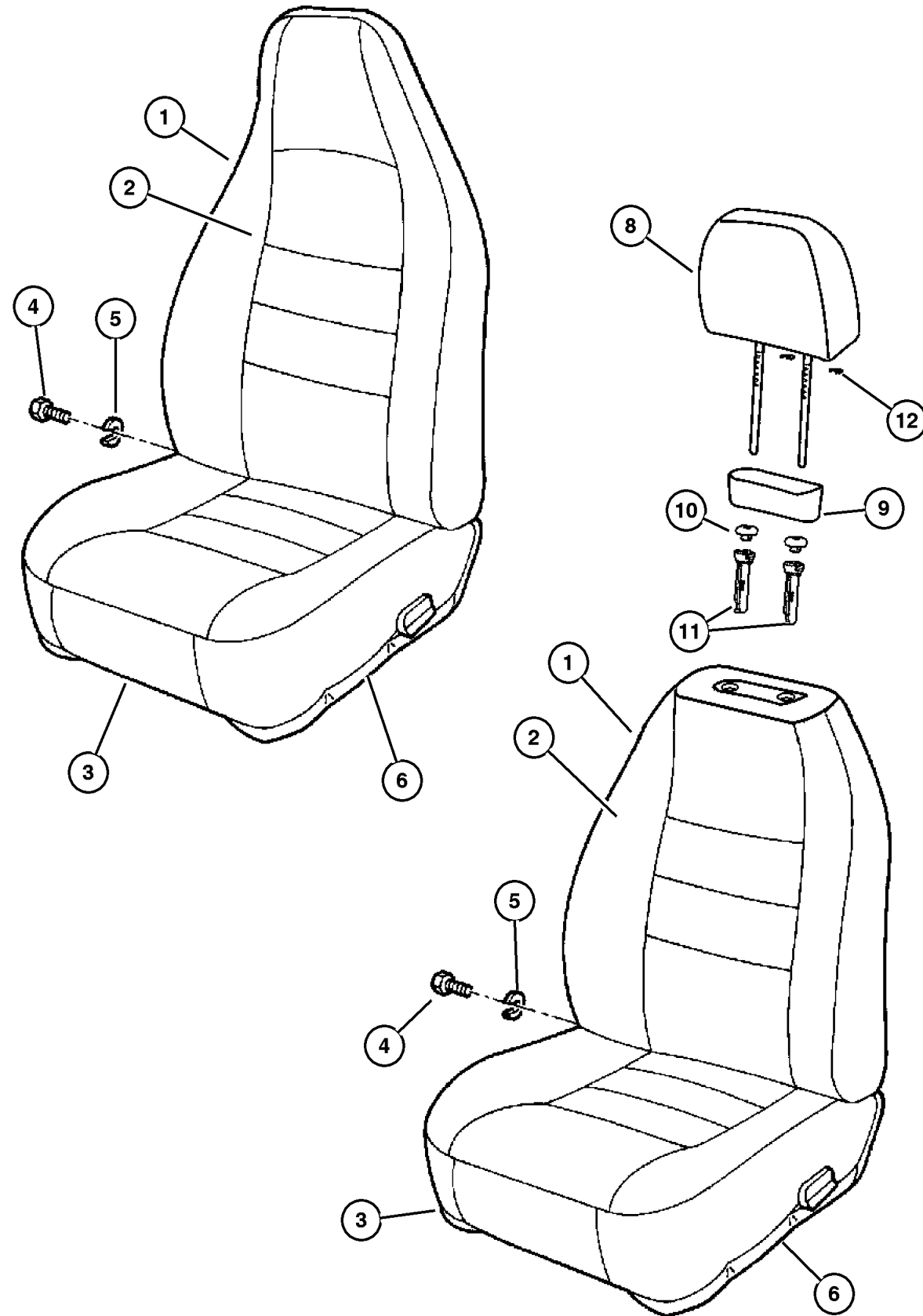
ENGINE
EPE, EP0 = 2.5L Power Tech
ERH, ER0 = 4.0L Power Tech

TRANSMISSION
DGG, DGD = 32RH 3 Spd. Auto.
DDQ = 5 Spd. Manual
DDD = 5 Speed HD Manual
DG0 = Auto. Trans.
DBB = Manual Trans.

AR = Use as required - = Non illustrated part # = New this model year

January 26, 2004

Front Seats Figure ITJ-510



ITEM	PART NUMBER	QTY	LINE	SERIES	BODY	ENGINE	TRANS	TRIM	DESCRIPTION
	UH55 1K5AA	1	U					E7	[K5], Left
	UH55 1AZAA	1	U					E7	[AZ], Left
	UH54 1AZAA	1	U					E7	[AZ], Right
	PY53 1KG	1	U					D7	[KG], Left
	UH54 1K5AA	1	U					E7	[K5], Right
	#XJ09 1UCAA	1						J5	Left
	#XJ08 1UCAA	1						J5	Right
	UH55 1K5AA	1						L5	[K5], Left
	UH55 1AZAA	1						L5	[AZ], Left
	UH54 1K5AA	1						L5	[K5], Right
	UH54 1AZAA	1						L5	[AZ], Right
	PY53 1KG	1						M5	[KG], Left
	PY52 1KG	1						M5	[KG], Right
	PY53 1KG	1	J					D7	[KG], Left
	PY52 1KG	1	J					D7	[KG], Right
	UG82 1AZAA	1	J					E6	[AZ], Right
	UG82 1K5AA	1	J					E6	[K5], Right
	UG83 1K5AA	1	J					E6	[K5], Left
	UG83 1AZAA	1	J					E6	[AZ], Left
		1	U					E6	[AZ], Left
4									BOLT, Shoulder, I.B.-Back To Cushion-Pivot
	5016 212AA	2	J					D7	
		2	U					D7	
		2	J					E6	
		2	U					E6	
		2	J					E7	
		2	U					E7	
		2						J5	
		2						L5	
		2						M5	
5									U-NUT, Seat Back
	4713 982	3	J					D7	Without Easy Entry
	4874 145	1	U					E7	With Easy Entry
	4713 982	3	U					E7	Without Easy Entry
		3	J					E7	Without Easy Entry
		2						J5	Without Easy Entry
	4874 145	1						J5	With Easy Entry
		1						L5	With Easy Entry
	4713 982	3						L5	Without Easy Entry
		3						M5	Without Easy Entry
	4874 145	1						M5	With Easy Entry

JEEP WRANGLER (TJ)

SERIES
H = Sport
L = SE
M = X
P = Sahara

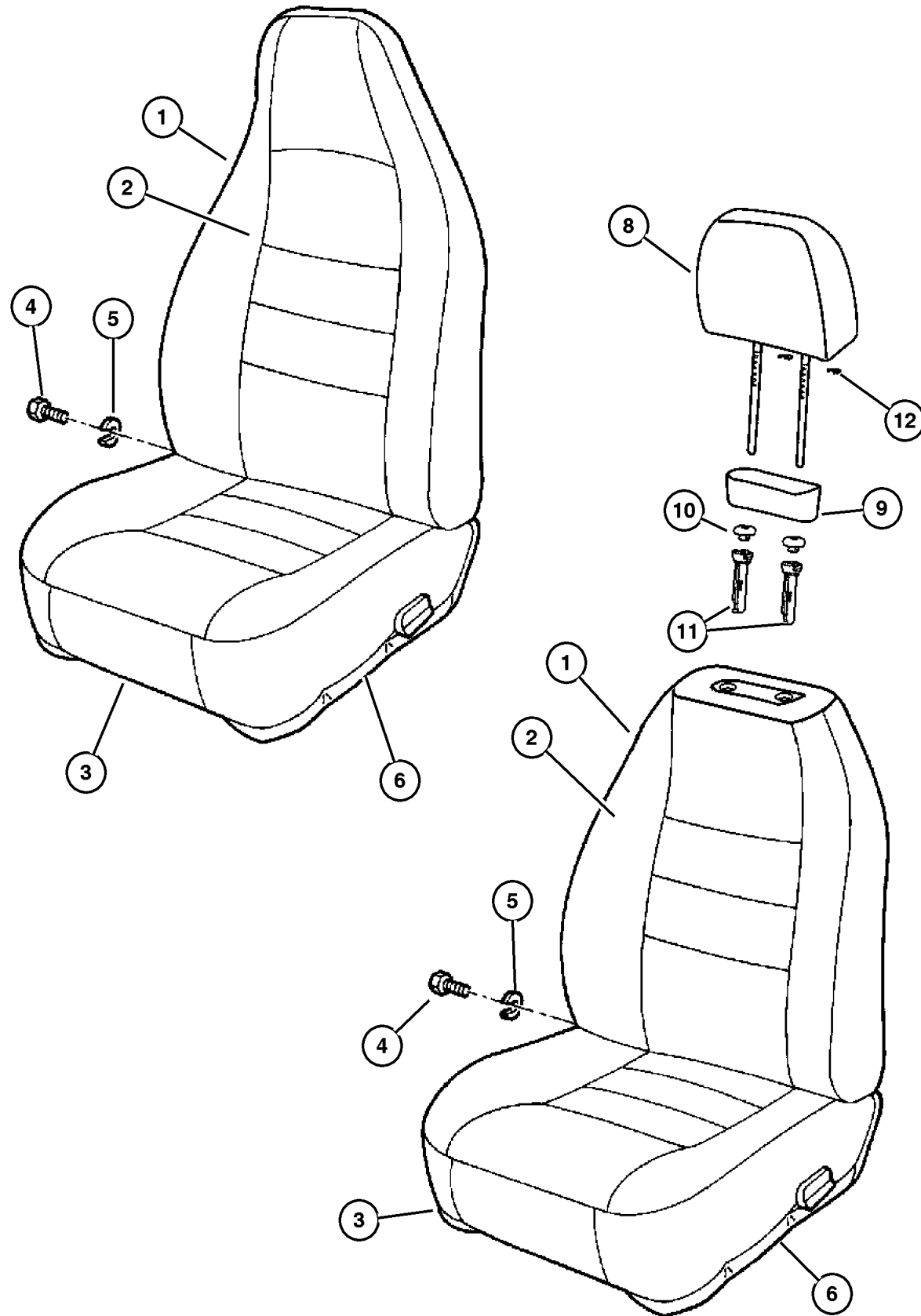
LINE
J = Wrangler 4WD
U = Wrangler 4WD (RHD)

BODY
77 = 93.4 WB

ENGINE
EPE, EP0 = 2.5L Power Tech
ERH, ER0 = 4.0L Power Tech

TRANSMISSION
DGG, DGD = 32RH 3 Spd. Auto.
DDQ = 5 Spd. Manual
DDD = 5 Speed HD Manual
DG0 = Auto. Trans.
DBB = Manual Trans.

Front Seats
Figure ITJ-510



ITEM	PART NUMBER	QTY	LINE	SERIES	BODY	ENGINE	TRANS	TRIM	DESCRIPTION
		1	J					D7	With Easy Entry
		1	U					D7	With Easy Entry
	4713 982	3	U					D7	Without Easy Entry
		1	J					E6	Without Easy Entry
	4874 145	1	J					E6	With Easy Entry
	4713 982	3	U					E6	Without Easy Entry
	4874 145	1	U					E6	With Easy Entry
		1	J					E7	With Easy Entry
6									FRAME, Front Seat
	5012 160AA	1	J					D7	Right
		1	U					E7	Right
	5012 161AA	1	J					E7	Left
	5012 160AA	1	J					E7	Right
	5012 161AA	1						J5	Left
	5012 160AA	1						J5	Right
		1						L5	Right
	5012 161AA	1						L5	Left
		1						M5	Left
	5012 160AA	1						M5	Right
	5012 161AA	1	J					D7	Left
		1	U					D7	Left
	5012 160AA	1	U					D7	Right
	5012 161AA	1	J					E6	Left
	5012 160AA	1	J					E6	Right
	5012 161AA	1	U					E6	Left
	5012 160AA	1	U					E6	Right
	5012 161AA	1	U					E7	Left
-7	6502 137	2							BOLT, Hex Flange Head, M10x1.50x35
8									HEADREST, Front
	UJ24 1KGAA	2	J					D7	[KG]
		2	U					D7	[KG]
	UJ29 1AZAA	2	U					E7	[AZ]
	UJ29 1K5AA	2	U					E7	[K5]
		2	J					E7	[K5]
	UJ29 1AZAA	2	J					E7	[AZ]
9									COVER, Seat
	UJ23 1KGAA	2	J					D7	[KG]
		2	U					D7	[KG]
	UJ23 1AZAA	2	U					E7	[AZ]
	UJ23 1K5AA	2	U					E7	[K5]
		2	J					E7	[K5]

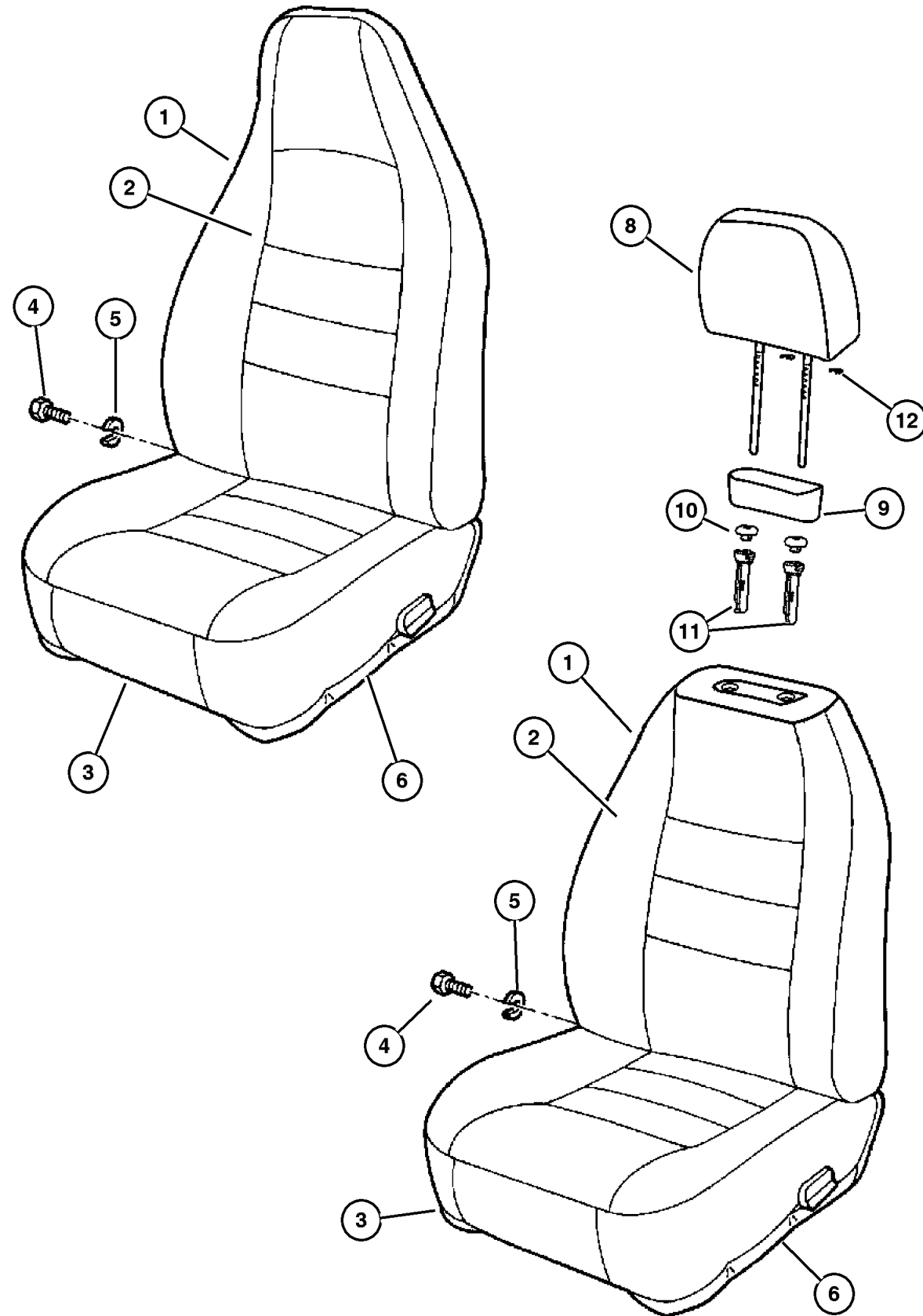
JEEP WRANGLER (TJ)

SERIES	LINE	BODY	ENGINE	TRANSMISSION
H = Sport	J = Wrangler 4WD	77 = 93.4 WB	EPE, EP0 = 2.5L Power Tech	DGG, DGD = 32RH 3 Spd. Auto.
L = SE	U = Wrangler 4WD (RHD)		ERH, ER0 = 4.0L Power Tech	DDQ = 5 Spd. Manual
M = X				DDD = 5 Speed HD Manual
P = Sahara				DG0 = Auto. Trans.
				DBB = Manual Trans.

AR = Use as required - = Non illustrated part # = New this model year

January 26, 2004

Front Seats Figure ITJ-510

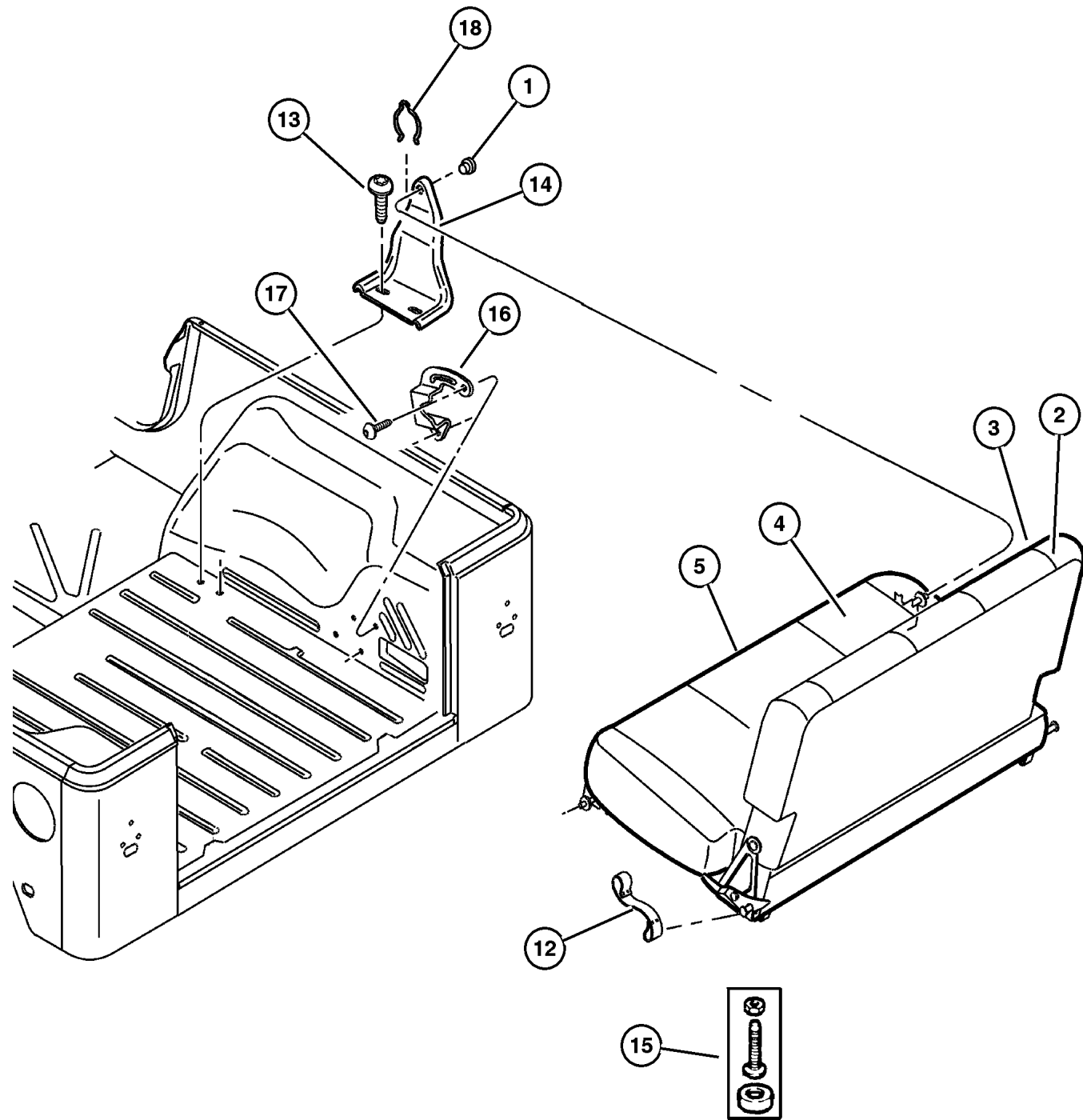


ITEM	PART NUMBER	QTY	LINE	SERIES	BODY	ENGINE	TRANS	TRIM	DESCRIPTION
	UJ23 1AZAA	2	J					E7	[AZ]
10	5013 163AA	4	J					D7	COVER, Headrest Sleeve
		4	U					D7	
		4	U					E7	
		4	J					E7	
11	5013 152AA	4	J					D7	CYLINDER, Headrest
		4	U					D7	
		4	J					E7	
		4	U					E7	
12	5019 285AA	4	J					D7	CLIP, Retainer
		4	U					D7	
		4	J					E7	
		4	U					E7	

JEEP WRANGLER (TJ)

SERIES	LINE	BODY	ENGINE	TRANSMISSION
H = Sport	J = Wrangler 4WD	77 = 93.4 WB	EPE, EP0 = 2.5L Power Tech	DGG, DGD = 32RH 3 Spd. Auto.
L = SE	U = Wrangler 4WD (RHD)		ERH, ER0 = 4.0L Power Tech	DDQ = 5 Spd. Manual
M = X				DDD = 5 Speed HD Manual
P = Sahara				DG0 = Auto. Trans.
				DBB = Manual Trans.

Seat Assemblies, Seat Covers Rear Seat Figure ITJ-610



ITEM	PART NUMBER	QTY	LINE	SERIES	BODY	ENGINE	TRANS	TRIM	DESCRIPTION
1	5103 469AA	1							BUSHING, Pivot
2									COVER, Rear Seat Back
	WW34 1KGAA	1	J					D7	[KG]
	WW26 1K5AA	1	U					E7	[K5]
	#XJ15 1UCAA	1						J5	
	WW26 1AZAA	1						L5	[AZ]
	WW26 1K5AA	1						L5	[K5]
	WW34 1KGAA	1						M5	[KG]
		1	U					D7	[KG]
	WV86 1K5AA	1	U					E6	[K5]
		1	J					E6	[K5]
	WV86 1AZAA	1	U					E6	[AZ]
		1	J					E6	[AZ]
	WW26 1AZAA	1	J					E7	[AZ]
		1	U					E7	[AZ]
	WW26 1K5AA	1	J					E7	[K5]
3									SEAT BACK, Rear
	WW35 1KGAA	1	J					D7	[KG]
	#XJ14 1UCAA	1						J5	
	WV89 1AZAA	1						L5	[AZ]
	WV89 1K5AA	1						L5	[K5]
	WW35 1KGAA	1						M5	[KG]
		1	U					D7	[KG]
	WV81 1K5AA	1	J					E6	[K5]
	WV81 1AZAA	1	U					E6	[AZ]
		1	J					E6	[AZ]
	WV89 1AZAA	1	J					E7	[AZ]
		1	U					E7	[AZ]
	WV89 1K5AA	1	J					E7	[K5]
		1	U					E7	[K5]
4									COVER, Rear Seat Cushion
	RH46 1KGAA	1	J					D7	[KG]
	UH58 1AZAA	1	U					E7	[AZ]
	#XJ17 1UCAA	1						J5	
	UH58 1K5AA	1						L5	[K5]
	UH58 1AZAA	1						L5	[AZ]
	RH46 1KGAA	1						M5	[KG]
		1	U					D7	[KG]
	UH04 1AZAA	1	J					E6	[AZ]
		1	U					E6	[AZ]
	UH04 1K5AA	1	J					E6	[K5]
		1	U					E6	[K5]

JEEP WRANGLER (TJ)

SERIES
H = Sport
L = SE
M = X
P = Sahara

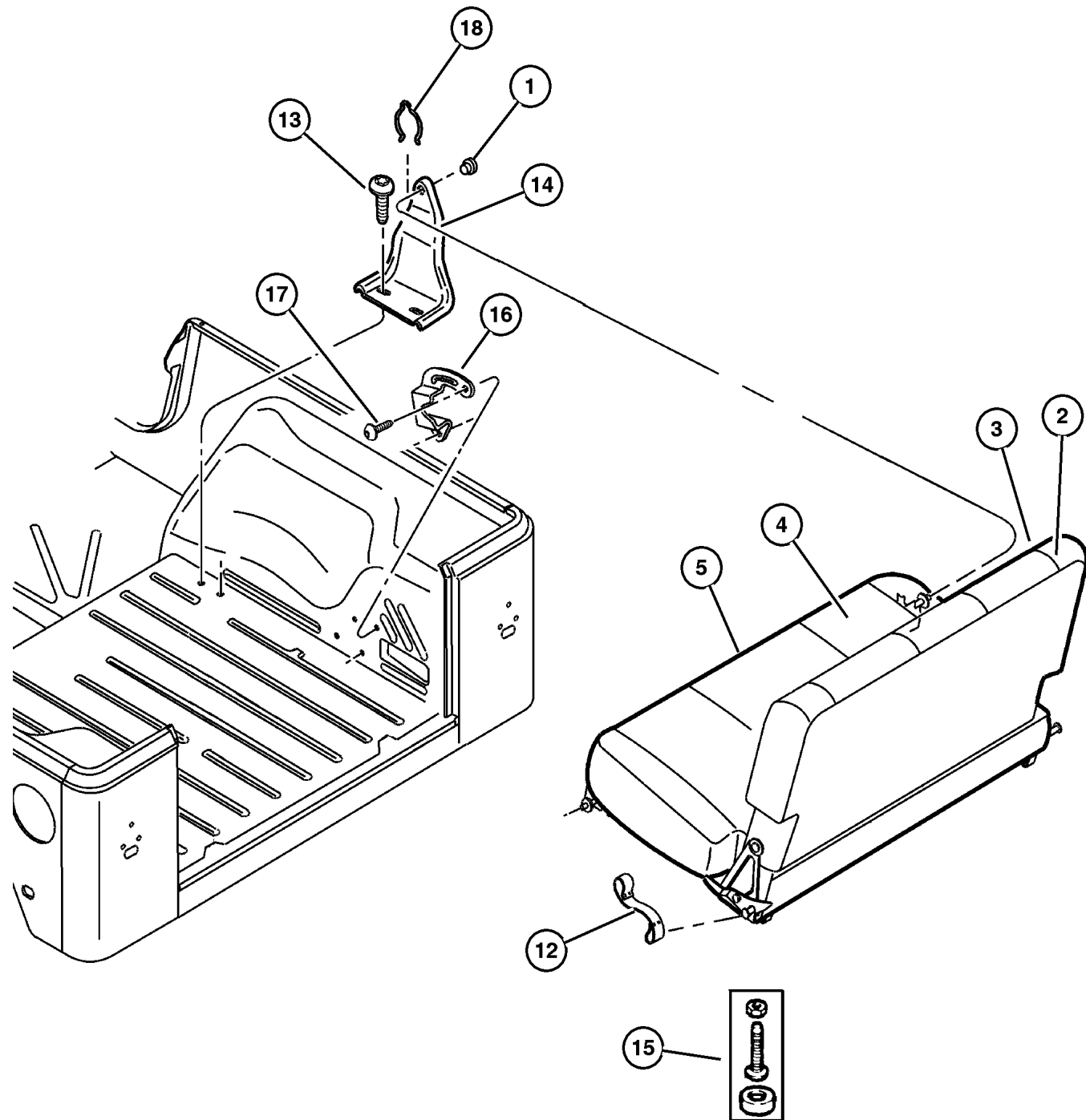
LINE
J = Wrangler 4WD
U = Wrangler 4WD (RHD)

BODY
77 = 93.4 WB

ENGINE
EPE, EP0 = 2.5L Power Tech
ERH, ER0 = 4.0L Power Tech

TRANSMISSION
DGG, DGD = 32RH 3 Spd. Auto.
DDQ = 5 Spd. Manual
DDD = 5 Speed HD Manual
DG0 = Auto. Trans.
DBB = Manual Trans.

Seat Assemblies, Seat Covers Rear Seat Figure ITJ-610



ITEM	PART NUMBER	QTY	LINE	SERIES	BODY	ENGINE	TRANS	TRIM	DESCRIPTION
5	UH58 1K5AA	1	U					E7 [K5]	
		1	J					E7 [K5]	
	UH58 1AZAA	1	J					E7 [AZ]	
									CUSHION, Rear Seat
	RH11 1KGAA	1	J					D7 [KG]	
	UH59 1K5AA	1	J					E7 [K5]	
	#XJ16 1UCAA	1						J5	
	UH59 1AZAA	1						L5 [AZ]	
	RH11 1KGAA	1						M5 [KG]	
			1	U					D7 [KG]
-6	UH03 1AZAA	1	J					E6 [AZ]	
		1	U					E6 [AZ]	
	UH03 1K5AA	1	J					E6 [K5]	
		1	U					E6 [K5]	
	UH59 1K5AA	1	U					E7 [K5]	
	UH59 1AZAA	1	J					E7 [AZ]	
		1	U					E7 [AZ]	
									LEVER, Rear Seat Release
	4713 794	1	U					D7	
		1	J					Y7	
	1	J					D7		
	1	U					E6		
	1	J					E6		
	1	J					E7		
	1	U					E7		
	1						J5		
	1						L5		
	1						M5		
-7									RIVNUT, Seat Latch Cover, (NOT SERVICED) (Not Serviced)
-8	4713 795	1	J					D7	
		1	U					D7	
		1	U					E6	
		1	J					E6	
		1	U					E7	
	1	J					E7		
	1						J5		
	1						L5		
	1						M5		
-9									WASHER, Rear Seat Pivot, Black Nylon

JEEP WRANGLER (TJ)

SERIES
H = Sport
L = SE
M = X
P = Sahara

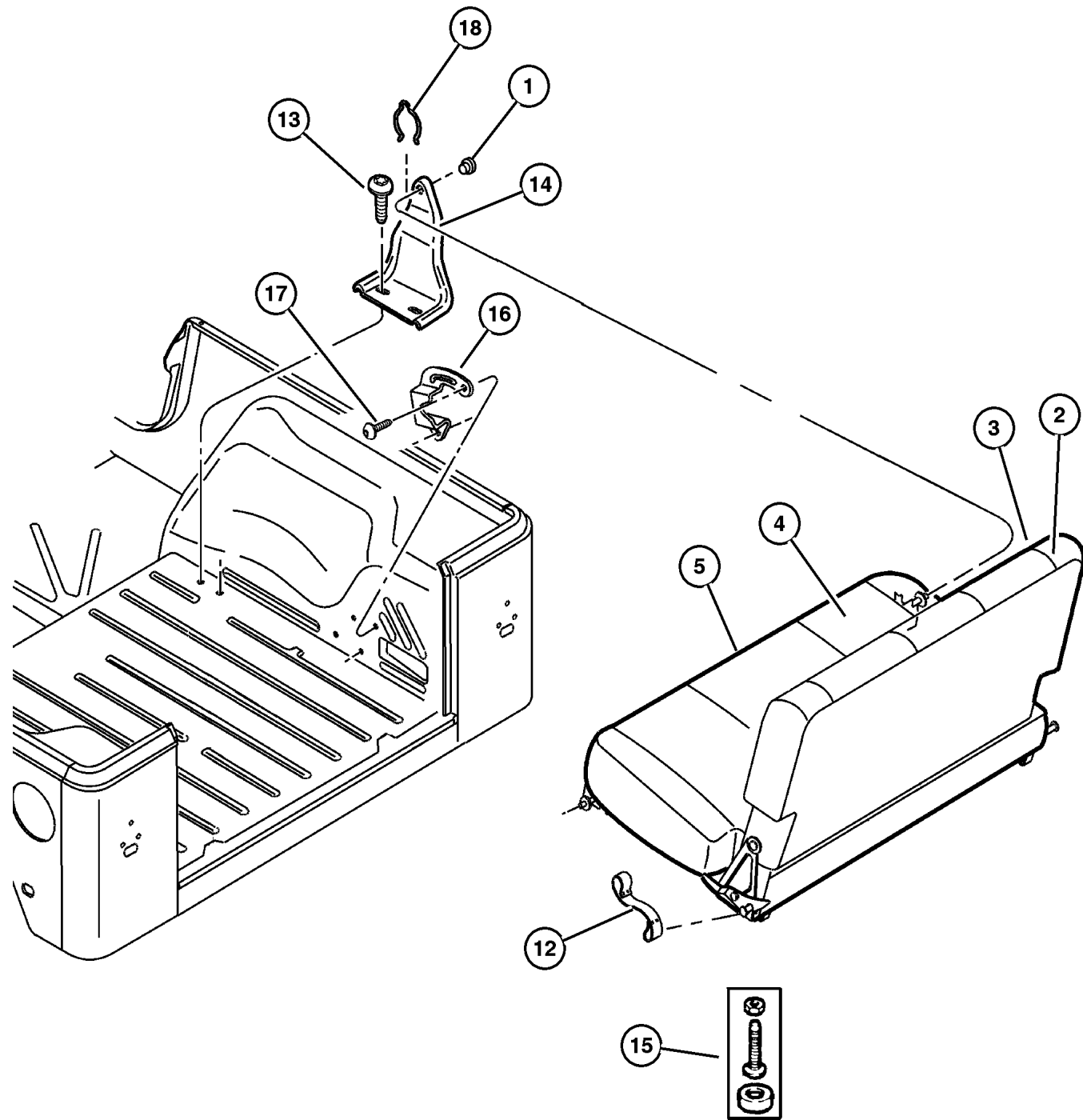
LINE
J = Wrangler 4WD
U = Wrangler 4WD (RHD)

BODY
77 = 93.4 WB

ENGINE
EPE, EP0 = 2.5L Power Tech
ERH, ER0 = 4.0L Power Tech

TRANSMISSION
DGG, DGD = 32RH 3 Spd. Auto.
DDQ = 5 Spd. Manual
DDD = 5 Speed HD Manual
DG0 = Auto. Trans.
DBB = Manual Trans.

Seat Assemblies, Seat Covers Rear Seat Figure ITJ-610



ITEM	PART NUMBER	QTY	LINE	SERIES	BODY	ENGINE	TRANS	TRIM	DESCRIPTION
	4713 799	2	U					D7	
		2	J					D7	
		2	U					E6	
		2	J					E6	
		2	J					E7	
		2	U					E7	
		2						J5	
		2						L5	
		2						M5	
-10									BOLT, Shoulder
	4638 585	3	U					D7	
		3	J					D7	
		3	U					E6	
		3	J					E6	
		3	J					E7	
		3	U					E7	
		1						J5	
		3						L5	
		3	J					M5	
-11									U-NUT, Seat Back, Used with Bolt 4638585
	4713 982	3	U					D7	
		3	J					D7	
		3	U					E6	
		3	J					E6	
		3	J					E7	
		3	U					E7	
		2						J5	
		3						L5	
		3						M5	
12	5519 6450	1							STRAP, Retaining
13	6500 664	4							SCREW AND WASHER, Hex Head, M8x1.25x35
14									BRACKET, Rear Seat Pivot
	55217 130AB	1							Right
	55217 131AB	1							Left
15									BUMPER, Seat, Cushion Base
	5016 606AA	2	U					D7	
		2	J					D7	
		2	U					E6	
		2	J					E6	
		2	U					E7	

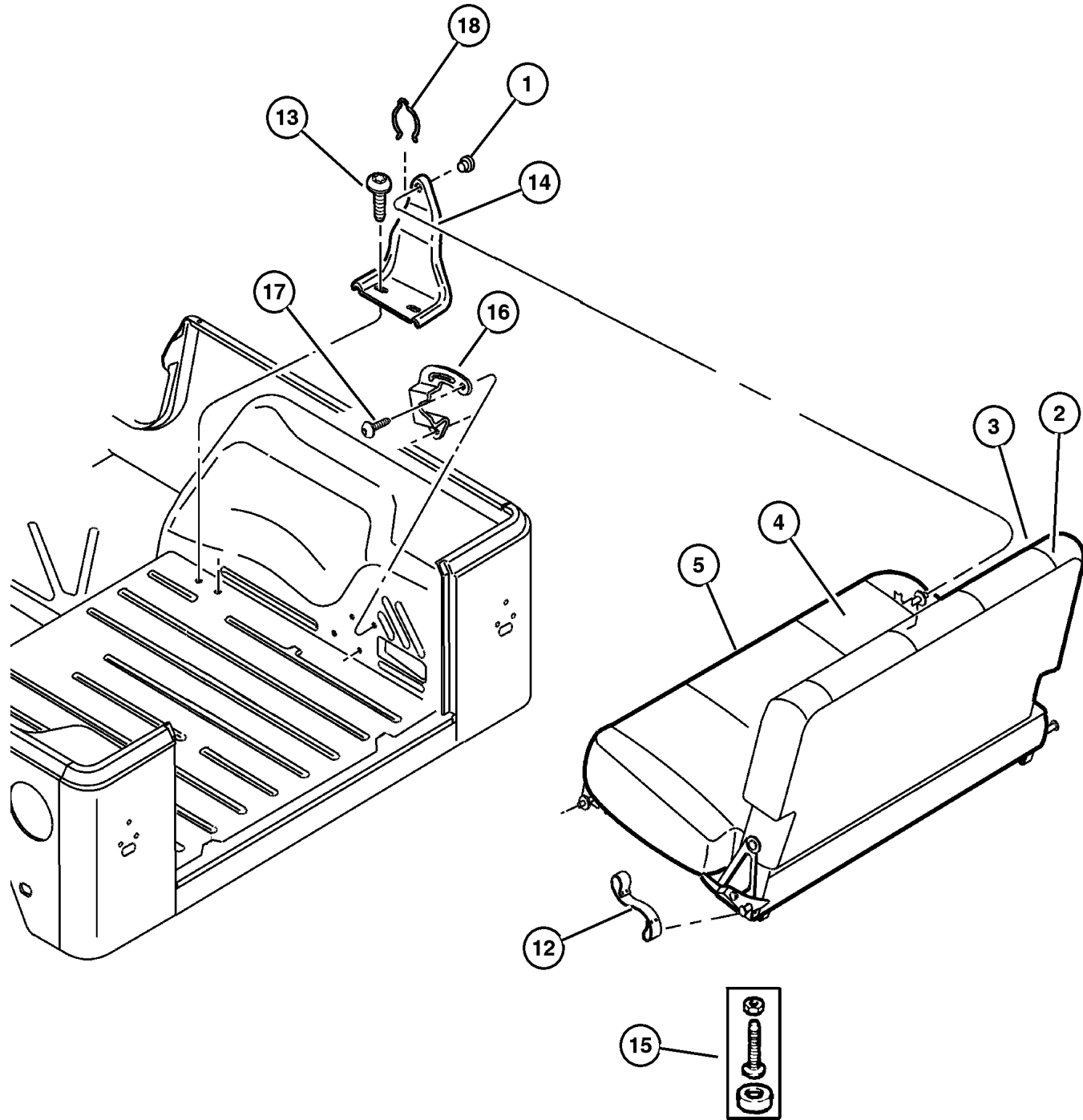
JEEP WRANGLER (TJ)

SERIES	LINE	BODY	ENGINE	TRANSMISSION
H = Sport	J = Wrangler 4WD	77 = 93.4 WB	EPE, EP0 = 2.5L Power Tech	DGG, DGD = 32RH 3 Spd. Auto.
L = SE	U = Wrangler 4WD (RHD)		ERH, ER0 = 4.0L Power Tech	DDQ = 5 Spd. Manual
M = X				DDD = 5 Speed HD Manual
P = Sahara				DG0 = Auto. Trans.
				DBB = Manual Trans.

AR = Use as required - = Non illustrated part # = New this model year

January 26, 2004

**Seat Assemblies, Seat Covers Rear Seat
Figure ITJ-610**



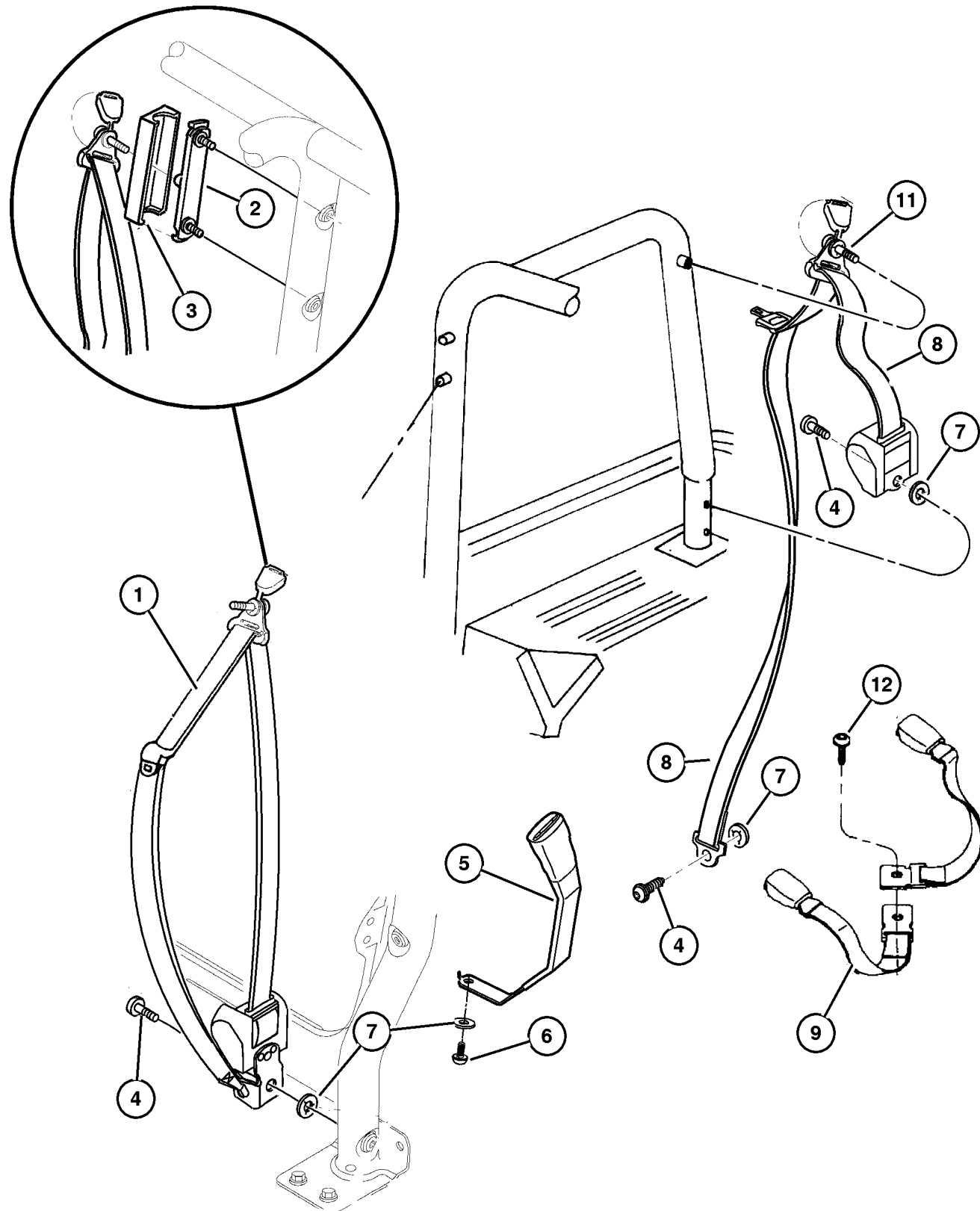
ITEM	PART NUMBER	QTY	LINE	SERIES	BODY	ENGINE	TRANS	TRIM	DESCRIPTION
		2	J					E7	
		2						J5	
		2						L5	
		2						M5	
16									BRACKET, Seat Latch
	55217 128AB	1							Right
	55217 129AB	1							Left
17	6034 564	4							SCREW, Pan Head, .312-18x1
18	6506 459AA	2							PIN, Rear Seat

JEEP WRANGLER (TJ)				
SERIES	LINE	BODY	ENGINE	TRANSMISSION
H = Sport	J = Wrangler 4WD	77 = 93.4 WB	EPE, EP0 = 2.5L Power Tech	DGG, DGD = 32RH 3 Spd. Auto.
L = SE	U = Wrangler 4WD (RHD)		ERH, ER0 = 4.0L Power Tech	DDQ = 5 Spd. Manual
M = X				DDD = 5 Speed HD Manual
P = Sahara				DG0 = Auto. Trans.
				DBB = Manual Trans.

AR = Use as required - = Non illustrated part # = New this model year

January 26, 2004

Seat Belts Figure ITJ-710



ITEM	PART NUMBER	QTY	LINE	SERIES	BODY	ENGINE	TRANS	TRIM	DESCRIPTION
1									SEAT BELT, Front Outer
	5HN73 LAZAA	1	J						Left
	5EV70 LAZAJ	1	J						Right
	5EV72 LAZAH	1							Right,Export
	5EV73 LAZAH	1							Left,Export
2	55217 173AC	2							ADJUSTER, Seat Belt Turning Loop
3	5EZ7 0TAZ	2							COVER, Turning Loop
4	6036 187AA	2							SCREW, Pan Head
5									SEAT BELT, Buckle Half
	5FV3 4LAZ	1	U					D7	Inboard,Right
		1	U					E7	Inboard,Right
	5FU0 8LAZ	1	J					E7	Inboard,Left
		1	U					E7	Inboard,Left
	5FU0 71AZ	1						J5	Inboard,Left
	5FU0 61AZ	1						J5	Inboard,Right,Export
	5FU0 7LAZ	1						L5	Inboard,Left
	5FU0 6LAZ	1	J					L5	Inboard,Right,Export
	5FU0 8LAZ	1	U					L5	Inboard,Left,Export
	5FU0 6LAZ	1						L5	Inboard,Right
	5FV3 4LAZ	1	U					L5	Inboard,Right,Export
	5FU0 8LAZ	1	U					D7	Inboard,Left
		1	J					L5	Inboard,Left,Export
	5FU0 6LAZ	1						M5	Inboard,Right
	5FU0 7LAZ	1						M5	Inboard,Left
	5FU0 6LAZ	1	J					M5	Inboard,Right,Export
	5FU0 8LAZ	1	J					M5	Inboard,Left,Export
	5FV3 4LAZ	1	U					M5	Inboard,Right,Export
	5FU0 8LAZ	1	U					M5	Inboard,Left,Export
		1	J					D7	Inboard,Left
	5FU0 6LAZ	1	J					D7	Inboard,Right
	5FV3 4LAZ	1	U					E6	Inboard,Right
	5FU0 6LAZ	1	J					E6	Inboard,Right
	5FU0 8LAZ	1	U					E6	Inboard,Left
	5FU0 7LAZ	1	J					E6	Inboard,Left
	5FU0 6LAZ	1	J					E7	Inboard,Right
6									SCREW, Button Head, .375-24x.62, Front Traveling Inboard Buckle Mounting
	6035 115	2	J					D7	
		2	U					D7	
		2	J					E6	
		2	U					E6	

JEEP WRANGLER (TJ)

SERIES
H = Sport
L = SE
M = X
P = Sahara

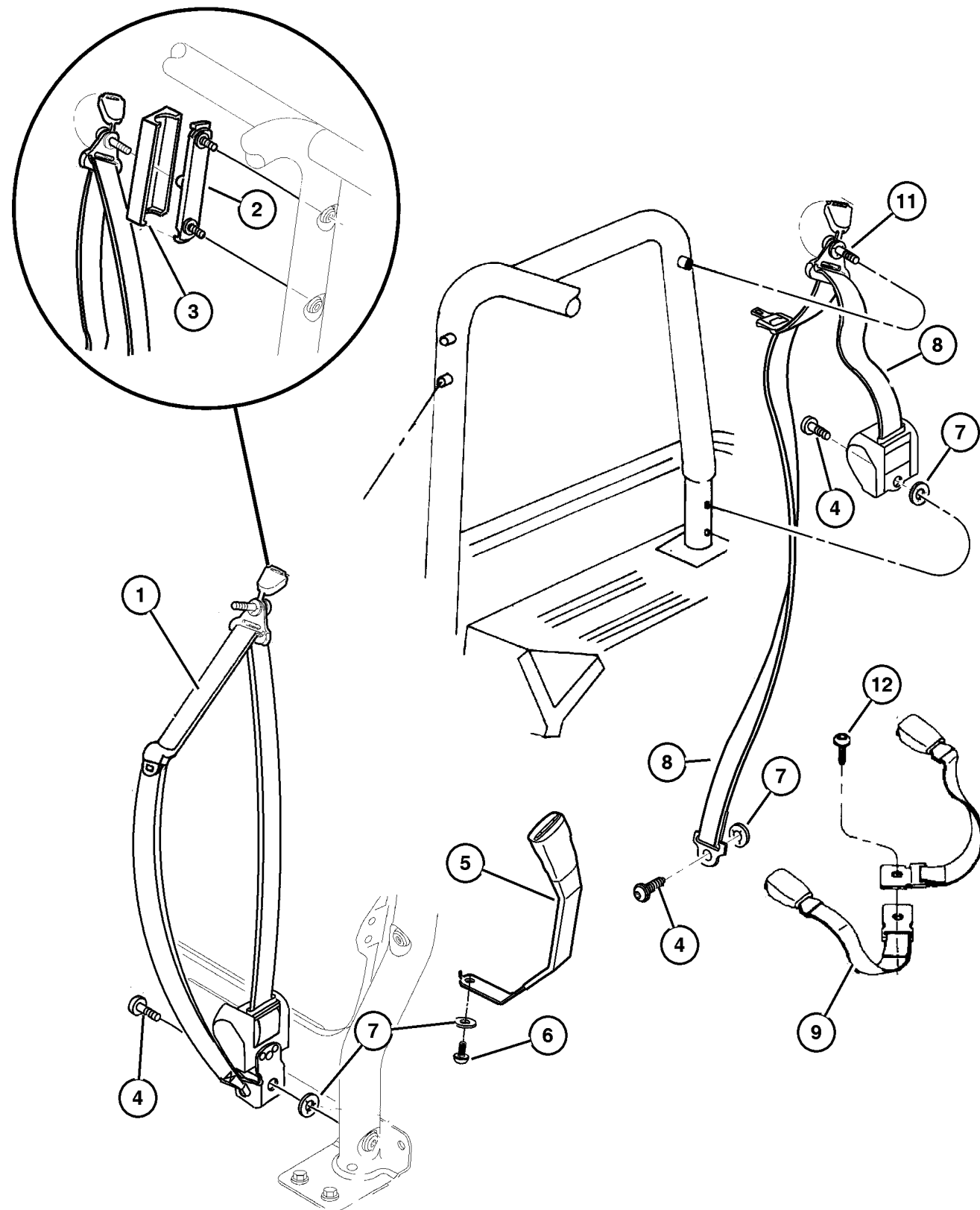
LINE
J = Wrangler 4WD
U = Wrangler 4WD (RHD)

BODY
77 = 93.4 WB

ENGINE
EPE, EP0 = 2.5L Power Tech
ERH, ER0 = 4.0L Power Tech

TRANSMISSION
DGG, DGD = 32RH 3 Spd. Auto.
DDQ = 5 Spd. Manual
DDD = 5 Speed HD Manual
DG0 = Auto. Trans.
DBB = Manual Trans.

Seat Belts Figure ITJ-710



ITEM	PART NUMBER	QTY	LINE	SERIES	BODY	ENGINE	TRANS	TRIM	DESCRIPTION
		2	J					E7	
		2	U					E7	
		2						J5	
		2						L5	
		2						M5	
7									WASHER, Seat Belt Attaching
	4798 898	4	U					D7	
		4	J					D7	
		4	U					E6	
		4	J					E6	
		4	U					E7	
		4	J					E7	
		2						J5	
		4						L5	
		4						M5	
8									SEAT BELT, Rear Outer
	5EV62 LAZAI	2	J						
	5EV66 LAZAG	2							Export
9	5FX94 LAZAA	1							SEAT BELT, Buckle Half
-10	5018 505AA	1							EXTENDER, Seat Belt
11	6036 294AA	2							BOLT, Shoulder
12	6036 295AA	1							SCREW, Pan Head

JEEP WRANGLER (TJ)

SERIES
H = Sport
L = SE
M = X
P = Sahara

LINE
J = Wrangler 4WD
U = Wrangler 4WD (RHD)

BODY
77 = 93.4 WB

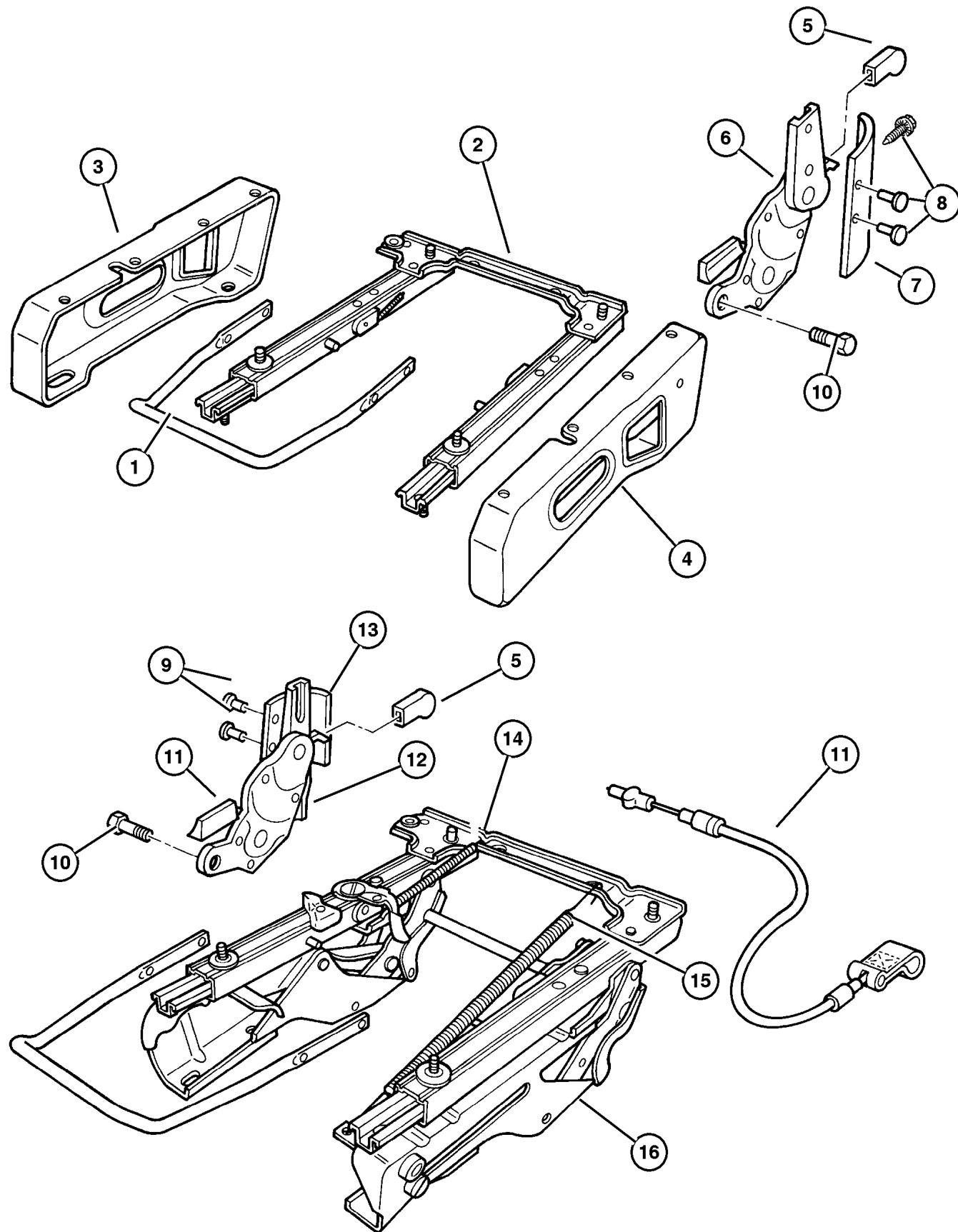
ENGINE
EPE, EP0 = 2.5L Power Tech
ERH, ER0 = 4.0L Power Tech

TRANSMISSION
DGG, DGD = 32RH 3 Spd. Auto.
DDQ = 5 Spd. Manual
DDD = 5 Speed HD Manual
DG0 = Auto. Trans.
DBB = Manual Trans.

AR = Use as required - = Non illustrated part # = New this model year

January 26, 2004

Seat Assemblies, Adjusters, Recliners
Figure ITJ-810



ITEM	PART NUMBER	QTY	LINE	SERIES	BODY	ENGINE	TRANS	TRIM	DESCRIPTION
1									HANDLE, Towel Bar
	5016 742AA	1	U					D7	Right,Export
		1	J					E7	Right,Export
		1	U					E7	Right,Export
	5016 743AA	1	U					E7	Left,Export
	5016 742AA	1						J5	Right
	5016 743AA	1						J5	Left
	5016 742AA	1						L5	Right
	5016 743AA	1						L5	Left
	5016 742AA	1						M5	Right
	5016 743AA	1						M5	Left
		1	U					D7	Left,Export
		1	J					D7	Left,Export
	5016 742AA	1	J					D7	Right,Export
		1	J					E6	Right
	5016 743AA	1	J					E6	Left
	5016 742AA	1	U					E6	Right,Export
	5016 743AA	1	U					E6	Left,Export
		1	J					E7	Left,Export
2									ADJUSTER, Manual Seat, Left
	5012 151AA	1	U					D7	Export
	5019 241AA	1						L5	With Easy Entry
	5012 151AA	1	U					L5	Export
	5019 241AA	1						M5	
	5012 151AA	1	J					M5	Export
		1	U					M5	Export
		1	J					D7	Export
	4874 120	1	J					E6	Without Easy Entry
	5012 151AA	1	J					E6	Export
		1	U					E6	Export
		1	U					E7	Export
		1	J					E7	Export
	4874 120	1						J5	Without Easy Entry
	5012 151AA	1	J					L5	Export
3									RISER, Seat
	5014 290AA	1	J					E6	Inboard,Driver
		1						J5	Inboard,Driver
4									RISER, Seat
	5014 291AA	1	J					E6	Outboard,Driver
		1						J5	Outboard,Driver
5									KNOB, Seat Recliner
	4796 720	2	U					D7	

JEEP WRANGLER (TJ)

SERIES
H = Sport
L = SE
M = X
P = Sahara

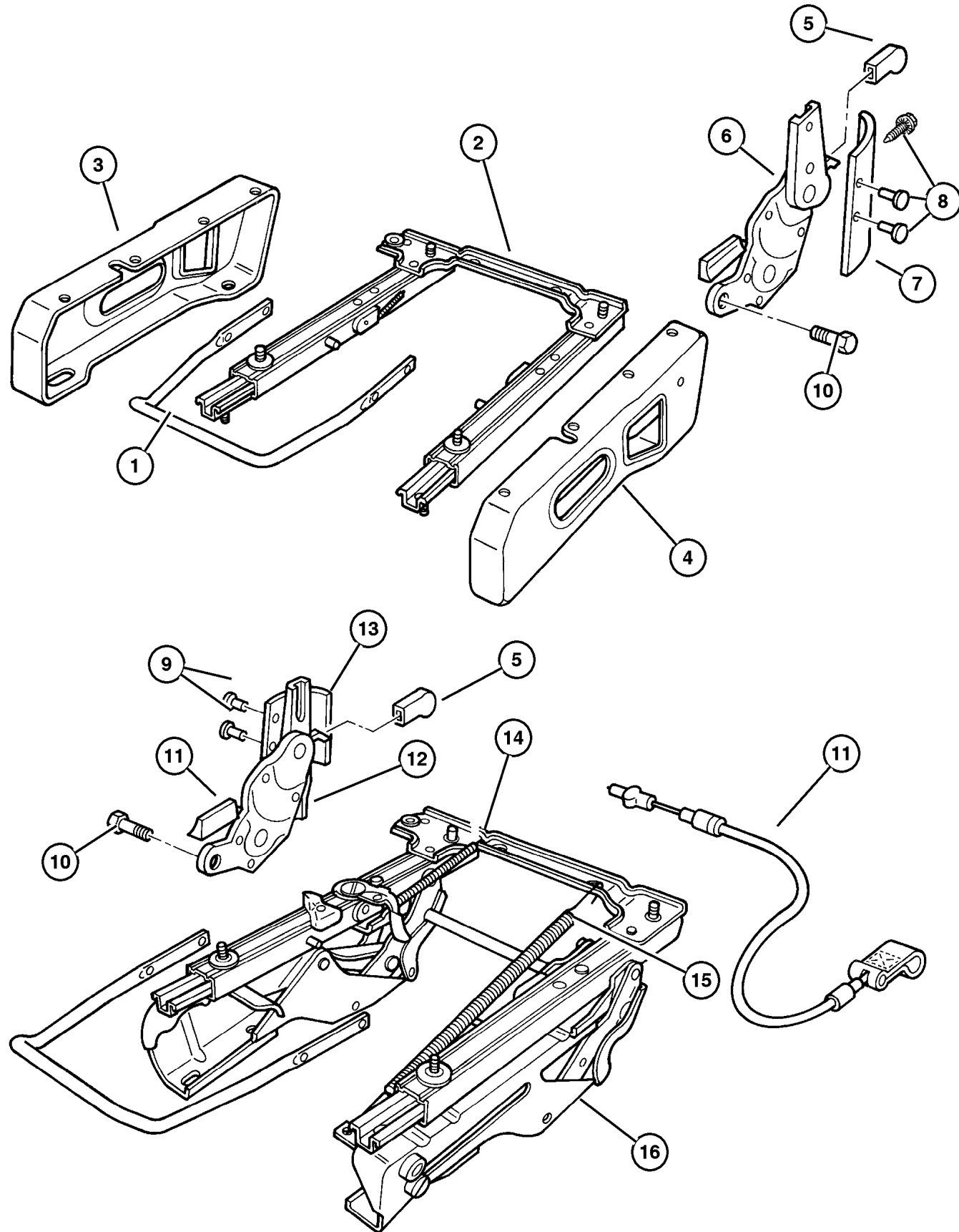
LINE
J = Wrangler 4WD
U = Wrangler 4WD (RHD)

BODY
77 = 93.4 WB

ENGINE
EPE, EP0 = 2.5L Power Tech
ERH, ER0 = 4.0L Power Tech

TRANSMISSION
DGG, DGD = 32RH 3 Spd. Auto.
DDQ = 5 Spd. Manual
DDD = 5 Speed HD Manual
DG0 = Auto. Trans.
DBB = Manual Trans.

Seat Assemblies, Adjusters, Recliners
Figure ITJ-810



ITEM	PART NUMBER	QTY	LINE	SERIES	BODY	ENGINE	TRANS	TRIM	DESCRIPTION
		2	J					D7	
		2	J					E6	
		2	U					E6	
		2	J					E7	
		2	U					E7	
		2						J5	
		2						L5	
		1						M5	
6									RECLINER, Front Seat Back, Driver
	5019 787AA	1	U					D7	
		1	J					D7	
		1	U					E6	
		1	J					E6	
		1	U					E7	
		1	J					E7	
		1						J5	
		1						L5	
		1						M5	
7									SHIELD SIDE, Seat, Left
	4874 117	1	U					D7	
		1	J					D7	
		1	J					E6	
		1	U					E6	
		1	J					E7	
		1	U					E7	
		1						J5	
		1						L5	
		1						M5	
8									SCREW
	5019 133AA	4	J					D7	
		4	U					M5	
		4	J					M5	
		4	U					D7	
		4	J					E6	
		4	U					E6	
		4	J					E7	
		4	U					E7	
		2						J5	
		4	J					L5	
		4	U					L5	
9									BOLT, Recliner to Seat Back
	4720 768	4	U					D7	

JEEP WRANGLER (TJ)

SERIES
H = Sport
L = SE
M = X
P = Sahara

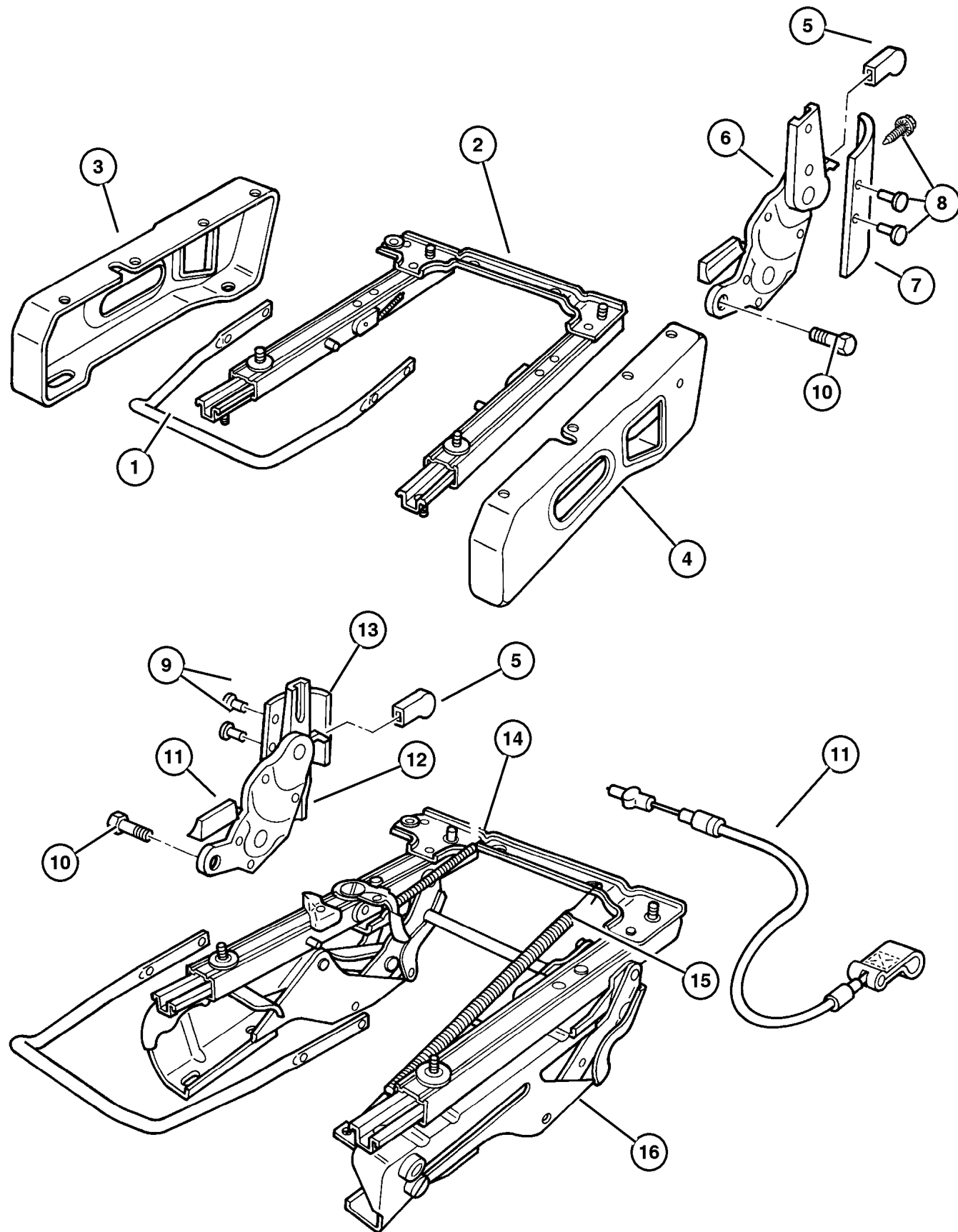
LINE
J = Wrangler 4WD
U = Wrangler 4WD (RHD)

BODY
77 = 93.4 WB

ENGINE
EPE, EP0 = 2.5L Power Tech
ERH, ER0 = 4.0L Power Tech

TRANSMISSION
DGG, DGD = 32RH 3 Spd. Auto.
DDQ = 5 Spd. Manual
DDD = 5 Speed HD Manual
DG0 = Auto. Trans.
DBB = Manual Trans.

**Seat Assemblies, Adjusters, Recliners
Figure ITJ-810**



ITEM	PART NUMBER	QTY	LINE	SERIES	BODY	ENGINE	TRANS	TRIM	DESCRIPTION
		4	J					D7	
		4	J					E6	
		4	U					E6	
		4	J					E7	
		4	U					E7	
		1						J5	
		4						L5	
		4						M5	
10									BOLT, Recliner To Cushion, Front Seat
	4796 793	4	U					D7	
		4	J					D7	
		4	J					E6	
		4	U					E6	
		4	J					E7	
		4	U					E7	
		4						J5	
		4						L5	
		4						M5	
11									CABLE, Seat Adjuster, Recliner, Easy Entry, Includes Strap
	5019 785AA	1	U					D7	
		1	J					D7	
		1	J					E6	
		2	U					E6	
		1	U					E7	
		1	J					E7	
		1						J5	
		1						L5	
		1						M5	
12									RECLINER, Front Seat Back, Passenger
	5019 786AA	1	U					D7	
		1	J					D7	
		1	U					E6	
		1	J					E6	
		1	U					E7	
		1	J					E7	
		1						J5	
		1						L5	
		1						M5	
13									SHIELD SIDE, Seat, Right

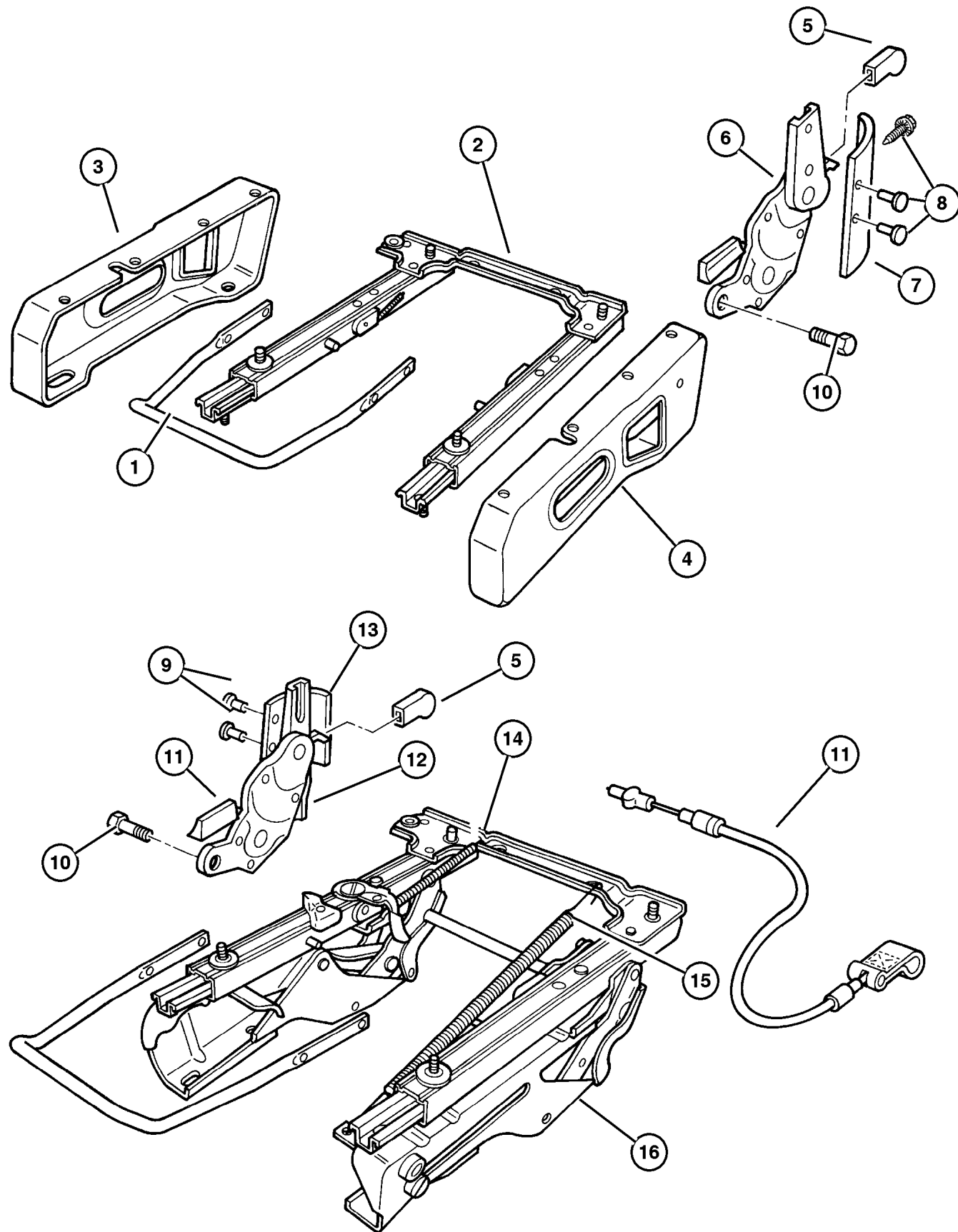
JEEP WRANGLER (TJ)

SERIES	LINE	BODY	ENGINE	TRANSMISSION
H = Sport	J = Wrangler 4WD	77 = 93.4 WB	EPE, EP0 = 2.5L Power Tech	DGG, DGD = 32RH 3 Spd. Auto.
L = SE	U = Wrangler 4WD (RHD)		ERH, ER0 = 4.0L Power Tech	DDQ = 5 Spd. Manual
M = X				DDD = 5 Speed HD Manual
P = Sahara				DG0 = Auto. Trans.
				DBB = Manual Trans.

AR = Use as required - = Non illustrated part # = New this model year

January 26, 2004

Seat Assemblies, Adjusters, Recliners
Figure ITJ-810



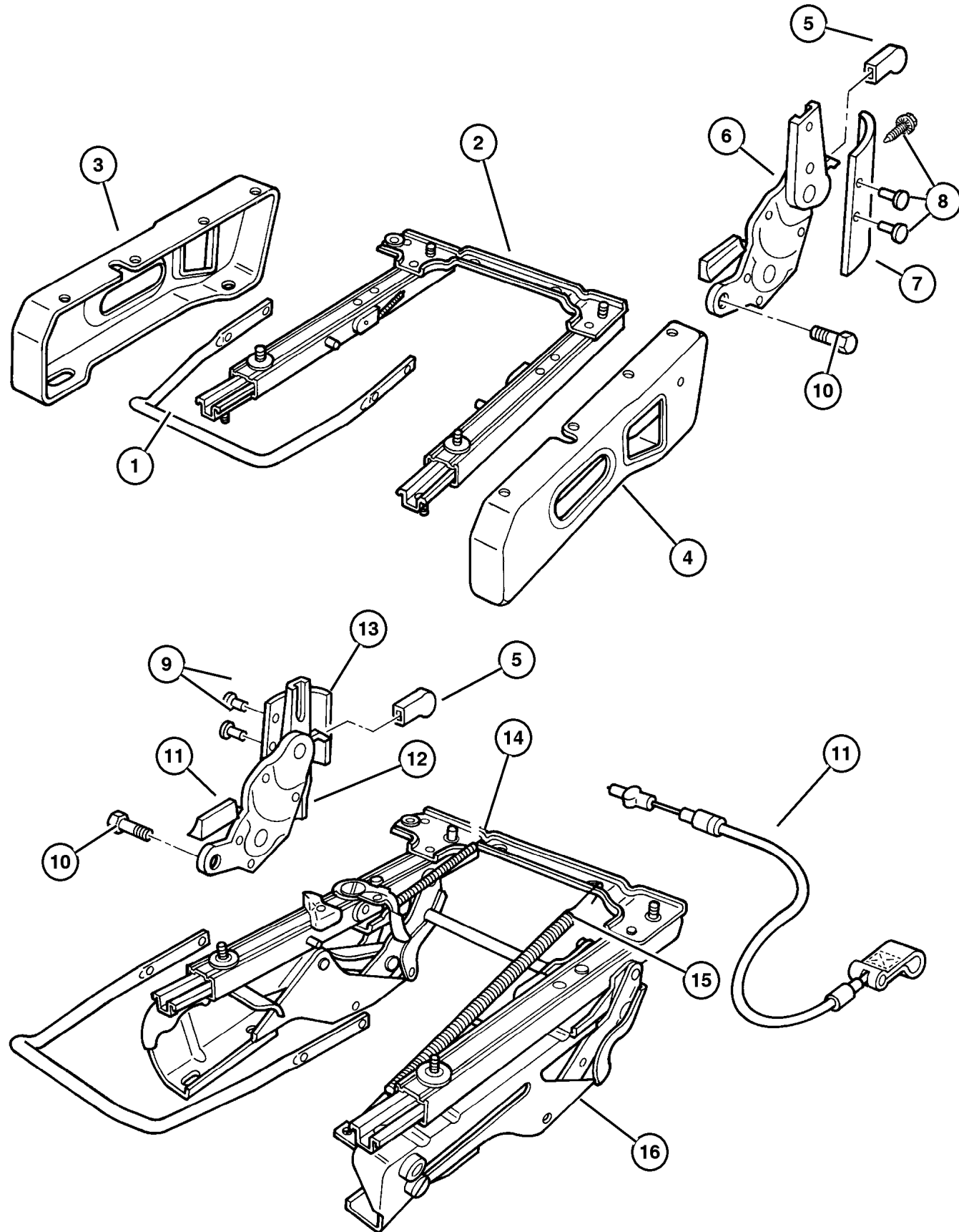
ITEM	PART NUMBER	QTY	LINE	SERIES	BODY	ENGINE	TRANS	TRIM	DESCRIPTION
	4874 116	1	U					D7	
		1	J					D7	
		1	U					E6	
		1	J					E6	
		1	J					E7	
		1	U					E7	
		1						J5	
		1						L5	
		1						M5	
14	4874 266	1	J					E6	SPRING, Seat Lever Return, Short
		2						J5	
		1						L5	
		1						M5	
15	5012 162AA	1	U					D7	SPRING, Seat Release Lever, Long
	4874 267	1						L5	
	5012 162AA	1	J					L5	Export
		1	J					M5	Export
	4874 267	1						M5	
	5012 162AA	1	U					M5	Export
		1	J					D7	
		1	J					E6	Export
	4874 267	1	J					E6	
	5012 162AA	1	U					E6	
		1	J					E7	
		1	U					E7	
	4874 267	2						J5	
	5012 162AA	1	U					L5	Export
16	5012 150AA	1	U					D7	ADJUSTER, Manual Seat, Right
		1	J					L5	Export
		1	U					L5	Export
		1	U					M5	Export
	4874 143	1						M5	
	5012 150AA	1	J					M5	Export
		1	J					D7	Export
		1	J					E6	Export
		1	U					E6	Export
	4874 143	1	J					E6	
	5012 150AA	1	U					E7	Export
		1	J					E7	Export

JEEP WRANGLER (TJ)
 SERIES LINE BODY ENGINE TRANSMISSION
 H = Sport J = Wrangler 4WD 77 = 93.4 WB EPE, EP0 = 2.5L Power Tech DGG, DGD = 32RH 3 Spd. Auto.
 L = SE U = Wrangler 4WD (RHD) ERH, ER0 = 4.0L Power Tech DDQ = 5 Spd. Manual
 M = X DDD = 5 Speed HD Manual
 P = Sahara DG0 = Auto. Trans.
 DBB = Manual Trans.

AR = Use as required - = Non illustrated part # = New this model year

January 26, 2004

Seat Assemblies, Adjusters, Recliners
Figure ITJ-810



ITEM	PART NUMBER	QTY	LINE	SERIES	BODY	ENGINE	TRANS	TRIM	DESCRIPTION
	4874 143	1						J5	
		1						L5	
-17	5014 745AA	1	U					D7	CABLE, Seat Adjuster, Seat Track Also Serviced in the Adjuster, Export
	4886 309AA	1						L5	40 Inches Long, (Also Serviced in 5019241AA)
	4886 308AA	1						L5	28 Inches Long, (Also Serviced in 4874143)
	5014 745AA	1	U					L5	Also Serviced in the Adjuster, Export
	4886 309AA	1						M5	40 Inches Long, (Also Serviced in 5019241AA)
	4886 308AA	1						M5	28 Inches Long, (Also Serviced in 4874143)
	5014 745AA	1	J					D7	Also Serviced in the Adjuster, Export
		1	U					E6	Also Serviced in the Adjuster, Export
		1	J					E6	Also Serviced in the Adjuster, Export
	4886 308AA	1	J					E6	28 Inches Long, (Also Serviced in 4874143)
	5014 745AA	1	J					E7	Also Serviced in the Adjuster, Export
		1	U					E7	Also Serviced in the Adjuster, Export
	4886 308AA	1						J5	
	5014 745AA	1	J					L5	Also Serviced in the Adjuster, Export
-18	J400 6832	2							BOLT, Pan Head, .437-20x1.375, Passenger and Driver Seat to Floor Pan

JEEP WRANGLER (TJ)

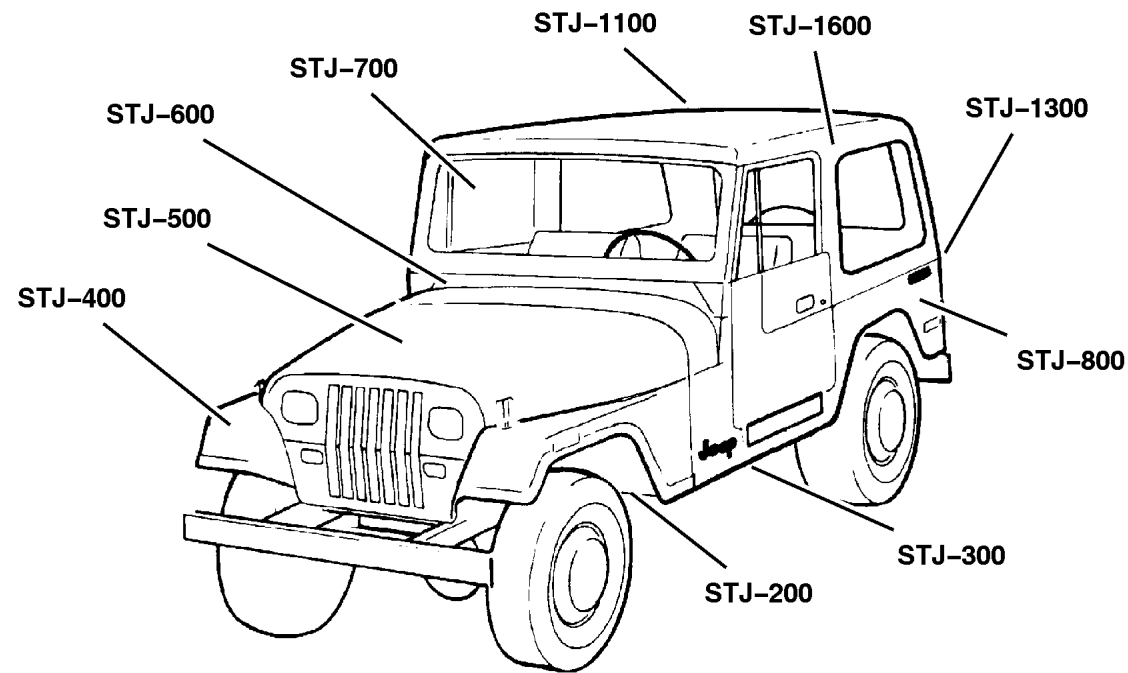
SERIES	LINE	BODY	ENGINE	TRANSMISSION
H = Sport	J = Wrangler 4WD	77 = 93.4 WB	EPE, EP0 = 2.5L Power Tech	DGG, DGD = 32RH 3 Spd. Auto.
L = SE	U = Wrangler 4WD (RHD)		ERH, ER0 = 4.0L Power Tech	DDQ = 5 Spd. Manual
M = X				DDD = 5 Speed HD Manual
P = Sahara				DG0 = Auto. Trans.
				DBB = Manual Trans.

AR = Use as required - = Non illustrated part # = New this model year

January 26, 2004

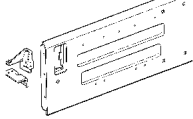
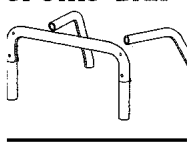
Group – STJ

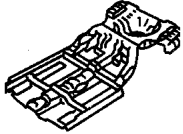

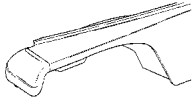

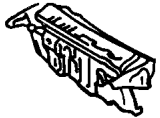

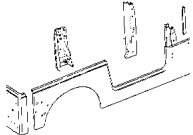
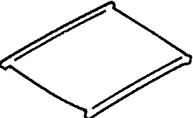
Body Sheet Metal Except Doors



Group – STJ

Body Sheet Metal Except Doors

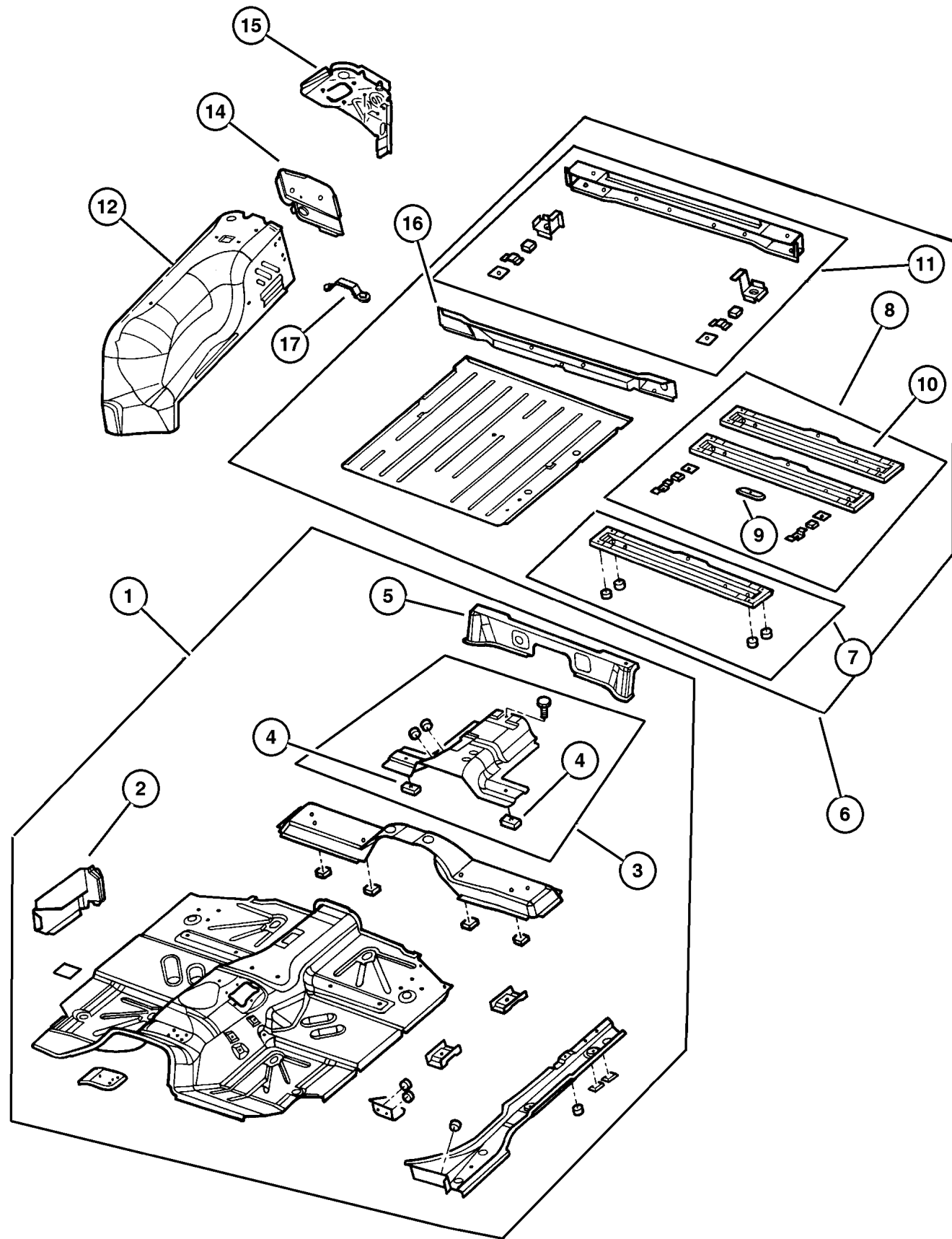
<p>STJ-1300 Tailgate</p> 	<p>STJ-1600 Luggage Rack</p> 		
---	---	--	--

<p>STJ-200 Floor Pans</p> 	<p>STJ-300 Plugs</p> 	<p>STJ-400 Front Fenders</p> 	<p>STJ-500 Hood and Hood Release</p> 
<p>STJ-600 Cowl and Dash Panel</p> 	<p>STJ-700 Glass and Rear View Mirror</p> 	<p>STJ-800 Aperture Panel</p> 	<p>STJ-1100 Roof – Hard & Soft Top</p> 

GROUP STJ - Body Sheet Metal Except Doors

Illustration Title	Group-Fig. No.
Floor Pans	
Pan, Floor Front And Rear	Fig. STJ-210
Plugs	
Plugs	Fig. STJ-310
Front Fenders	
Fender And Flare, Front	Fig. STJ-410
Hood and Hood Release	
Hood, Lock, Catches	Fig. STJ-510
Cowl and Dash Panel	
Panels, Cowl And Dash	Fig. STJ-610
Glass and Rear View Mirror	
Glass, Windshield, Backlite, Quarter Windshield Frame, Hinges	Fig. STJ-710
Aperture Panel	
Panels, Body Side	Fig. STJ-810
Roof - Hard & Soft Top	
Soft Top And Windows	Fig. STJ-1110
Top Enclosure, Hard	Fig. STJ-1120
Tailgate	
Tailgate	Fig. STJ-1310
Add-a-Trunk	Fig. STJ-1320
Luggage Rack	
Sport Bar Wrangler	Fig. STJ-1610

Pan, Floor Front And Rear
Figure STJ-210



ITEM	PART NUMBER	QTY	LINE	SERIES	BODY	ENGINE	TRANS	TRIM	DESCRIPTION
1	55177 254AA	1							PAN, Floor
2	55174 828AB	1							PANEL, Cowl Side Right
	55174 829AB	1							Left
3	55175 209AB	1							REINFORCEMENT, Park Brake Mounting
4	6033 150	2							NUT PLATE, .25-20
5	55174 809AB	1							RISER, Seat
6	55174 811AC	1							PAN, Floor
7	5517 6240	1							CROSSMEMBER, Seat Belt Mount
8	5517 6241	1							CROSSMEMBER, Underbody
9	4490 835AB	1							REINFORCEMENT, Shoulder Belt
10	5517 6237	1							CROSSMEMBER, Rear Floor
11	55175 788AD	1							SILL, Rear
12	5066 166AA	1							PANEL, Wheelhouse Right
	5066 167AA	1							Left
-13	4490 111	1							TAPPING PLATE
14	55176 526AC	1							PANEL, Rear Closure Right
	55176 527AC	1							Left
15	55175 064AB	1							REINFORCEMENT, Wheelhouse Right
	55175 065AB	1							Left
16	5517 5790	1							PANEL, Rear Body Closing, Lower Center Panel
17	5501 3668	8							CHECK, Front Door

JEEP WRANGLER (TJ)

SERIES
H = Sport
L = SE
M = X
P = Sahara

LINE
J = Wrangler 4WD
U = Wrangler 4WD (RHD)

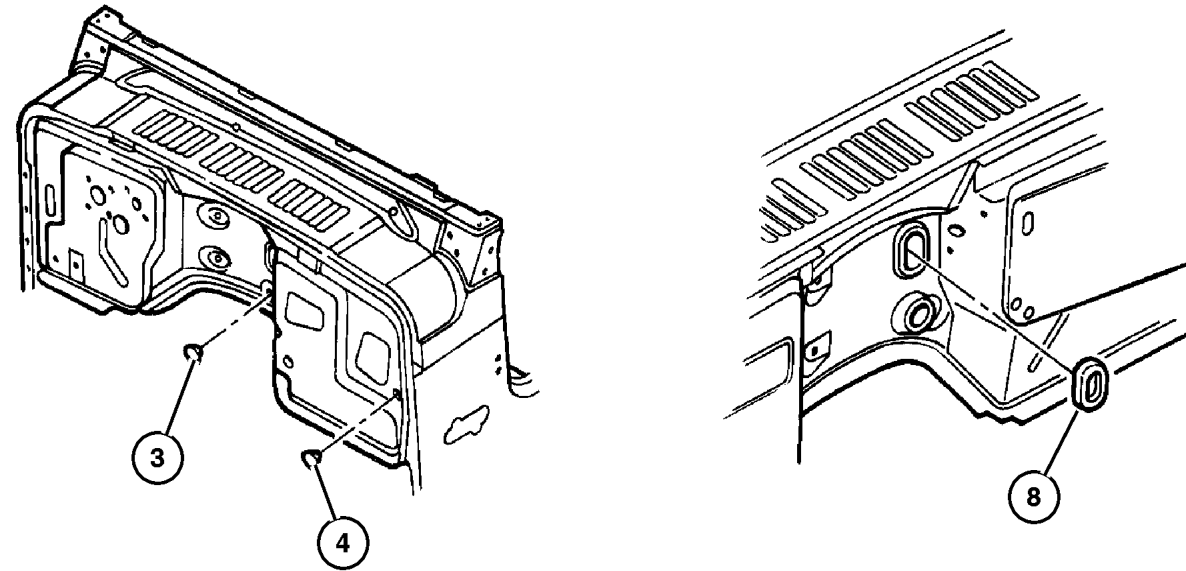
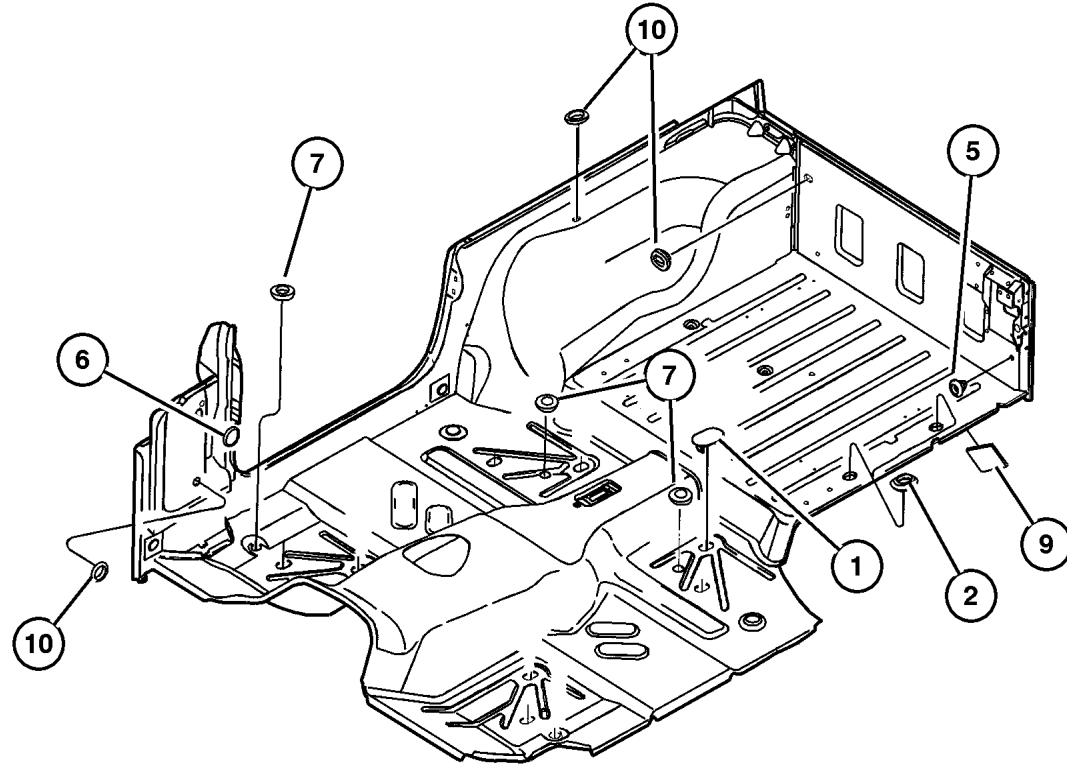
BODY
77 = 93.4 WB

ENGINE
EPE, EP0 = 2.5L Power Tech
ERH, ER0 = 4.0L Power Tech

TRANSMISSION
DGG, DGD = 32RH 3 Spd. Auto.
DDQ = 5 Spd. Manual
DDD = 5 Speed HD Manual
DGO = Auto. Trans.
DBB = Manual Trans.

Plugs Figure STJ-310

ITEM	PART NUMBER	QTY	LINE	SERIES	BODY	ENGINE	TRANS	TRIM	DESCRIPTION
1	4586 055	8							PLUG, Floor Pan, Front
2	6004 507	2							PLUG, Body, 25.4mm x 38.1mm, Rubber, Rear Floor Pan
3	2424 864	1							PLUG, Body, 1.75 Diameter, Shift Cable Hole
4	55257 380AA	AR							PLUG, Dash Panel Rear Body Wiring
5	4373 728	1							PLUG
6	55176 729AA	2							PLUG, Cowl Side
7	55177 482AA	4							PLUG, Floor Pan
8									PLUG, Body, 4.0mm X 76.4mm, (NOT SERVICED) (Not Serviced)
9	4278 178	1							TAPE, Hole Cover, 50x50x1 mm
10	1774 076	2							PLUG



JEEP WRANGLER (TJ)

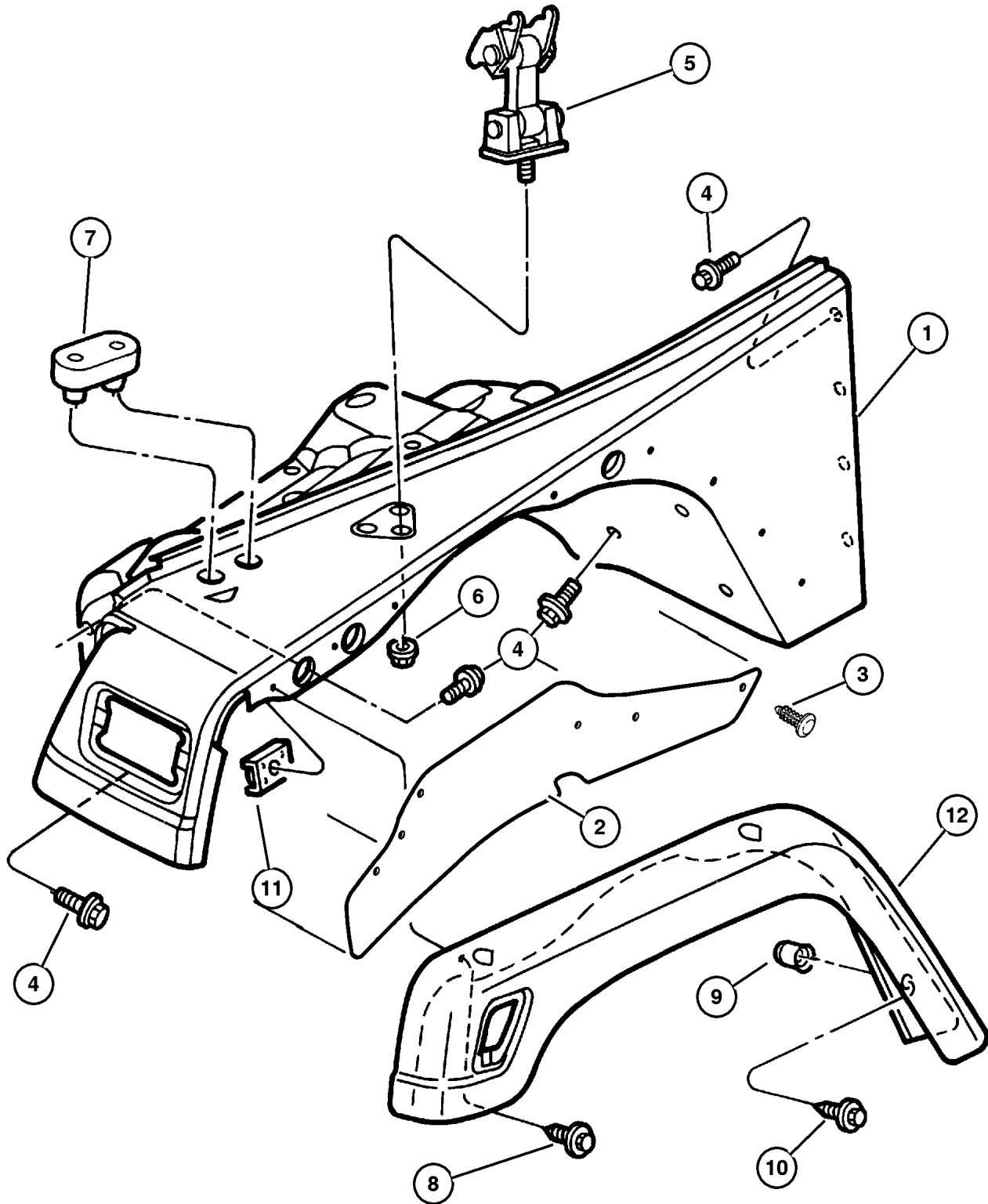
SERIES	LINE	BODY	ENGINE	TRANSMISSION
H = Sport	J = Wrangler 4WD	77 = 93.4 WB	EPE, EP0 = 2.5L Power Tech	DGG, DGD = 32RH 3 Spd. Auto.
L = SE	U = Wrangler 4WD (RHD)		ERH, ER0 = 4.0L Power Tech	DDQ = 5 Spd. Manual
M = X				DDD = 5 Speed HD Manual
P = Sahara				DG0 = Auto. Trans.
				DBB = Manual Trans.

AR = Use as required - = Non illustrated part # = New this model year

January 26, 2004

Fender And Flare, Front
Figure STJ-410

ITEM	PART NUMBER	QTY	LINE	SERIES	BODY	ENGINE	TRANS	TRIM	DESCRIPTION
1									PANEL, Fender
	#5003 950AE	1							Right
	#5003 951AE	1							Left
2	5517 4658	2							SHIELD, Splash, Front
3	6030 441	12							PIN, Retainer
4	6100 583	8							BOLT AND CONED WASHER, Hex Head, M8x25x20
5	55176 636AD	2							CATCH, Hood
6	3420 1416	2							NUT, Hex Flange, M8x1.25
7	J400 7541	2							BUMPER, Fender, Oblong Head, Hood Cushion
8									SCREW AND WASHER, [.190-16x.750], (NOT SERVICED) (Not Serviced)
9	6504 601	6							NUT, Rivet Round, M5x0.80x11.09
10									SCREW AND WASHER, M5x.080x20.00, (NOT SERVICED) (Not Serviced)
11	J400 4868	14							NUT, Plastic
12									EXTENSION, Fender
	5525 4918	1							[K30], Black, Textured, Right
	QP95 SW1AB	1							[K5W], Left
	QP95 WU7AB	1							[K5U], Left
	QP95 XGRAB	1							[K5E], Left
	5525 4919	1							[K30], Black, Textured, Left
	QP94 DX8AB	1							[K5X], Right
	QP94 DX9AB	1							[K5Z], Right
	QP94 SW1AB	1							[K5W], Right
	QP94 WU7AB	1							[K5U], Right
	QP94 XGRAB	1							[K5E], Right
	QP95 DX8AB	1							[K5X], Left
	QP95 DX9AB	1							[K5Z], Left

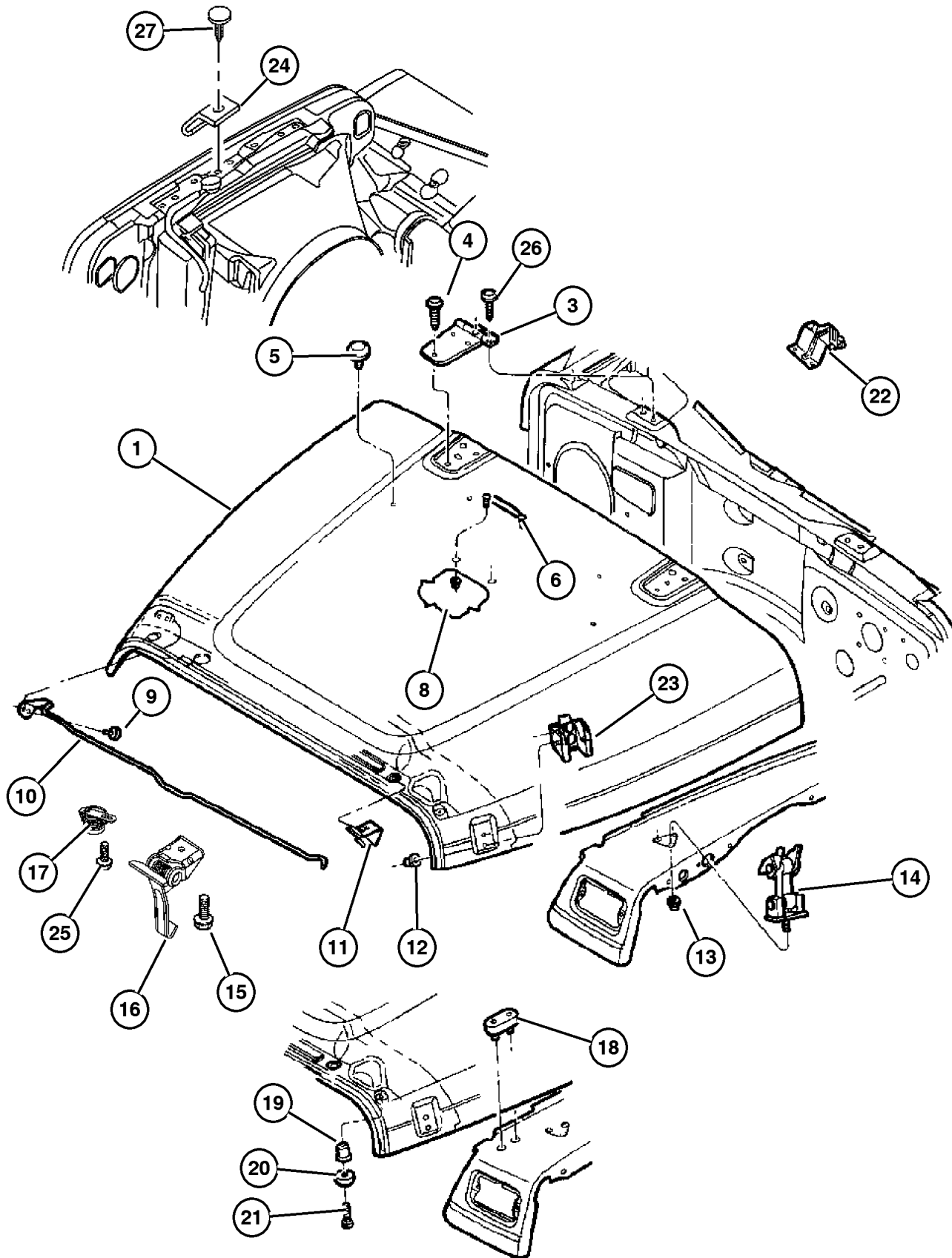


JEEP WRANGLER (TJ)				
SERIES	LINE	BODY	ENGINE	TRANSMISSION
H = Sport	J = Wrangler 4WD	77 = 93.4 WB	EPE, EP0 = 2.5L Power Tech	DGG, DGD = 32RH 3 Spd. Auto.
L = SE	U = Wrangler 4WD (RHD)		ERH, ER0 = 4.0L Power Tech	DDQ = 5 Spd. Manual
M = X				DDD = 5 Speed HD Manual
P = Sahara				DG0 = Auto. Trans.
				DBB = Manual Trans.

AR = Use as required - = Non illustrated part # = New this model year

January 26, 2004

Hood, Lock, Catches Figure STJ-510



ITEM	PART NUMBER	QTY	LINE	SERIES	BODY	ENGINE	TRANS	TRIM	DESCRIPTION
1	#5066 182AB	1							HOOD
-2	5517 6589	AR							SHIM
3	5507 5559	2							HINGE, Hood
4	6503 154	6							SCREW AND WASHER, Round Head, M8x1.25x20
5	55075 590AB	2							BUMPER, Hood
6	5517 6422	1							BRACKET, Windshield Hold Down
-7	6036 102AA	4							SCREW, .19-24.50
8	6502 028	2							NUT AND WASHER, Hex Nut-Coned Washer, M4 x 0.70
9	6034 980	2							SCREW, Pan Head, .19-24x.437
10	55176 635AF	1							ROD, Hood Prop
11	J400 7456	1							CLIP, Prop Rod
12	6504 030	4							NUT AND WASHER, Hex, M6x1
13	3420 1416	2							NUT, Hex Flange, M8x1.25
14	55176 636AD	2							CATCH, Hood
15									SCREW AND WASHER, M6x1.00x20.00, (NOT SERVICED) (Not Serviced)
16	55176 731AE	1							HOOK, Hood Safety Catch
17	55176 732AC	1							SPRING, Hood Pop Up
18	J400 7541	2							BUMPER, Fender, Oblong
19	J400 5237	2							NUT, Hex, .19-32x430, Well Type Hood Bumper Support
20	5517 6291	2							BUMPER, Steel Insert
21	6034 205	2							SCREW, Pan Head, .19-32x.625, Hood Bumper Support
22	5517 5096	2							REINFORCEMENT, Hood Hinge
23	55176 428AC	2							BRACKET, Hood Catch
24	5503 2768	1							SKID PLATE, Secondary Hood Catch
25									SCREW, .190-16x.500, (NOT SERVICED) (Not Serviced)
26	6035 627	4							SCREW AND WASHER, Truss Head, .312-18x1.12
27	6500 787	1							RIVET, M5x11.30

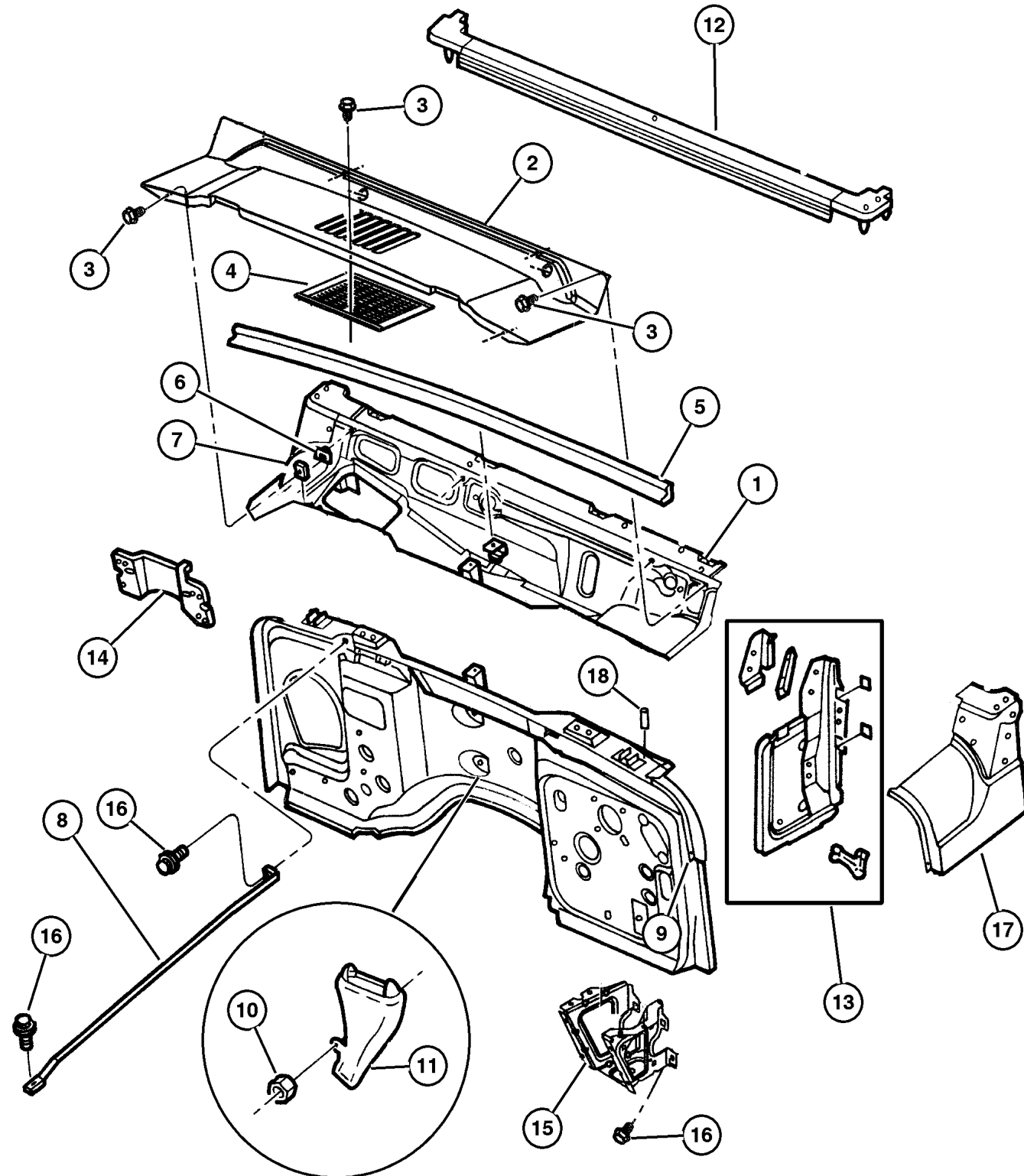
JEEP WRANGLER (TJ)

SERIES	LINE	BODY	ENGINE	TRANSMISSION
H = Sport	J = Wrangler 4WD	77 = 93.4 WB	EPE, EP0 = 2.5L Power Tech	DGQ, DGD = 32RH 3 Spd. Auto.
L = SE	U = Wrangler 4WD (RHD)		ERH, ER0 = 4.0L Power Tech	DDQ = 5 Spd. Manual
M = X				DDD = 5 Speed HD Manual
P = Sahara				DG0 = Auto. Trans.
				DBB = Manual Trans.

AR = Use as required - = Non illustrated part # = New this model year

January 26, 2004

**Panels, Cowl And Dash
Figure STJ-610**



ITEM	PART NUMBER	QTY	LINE	SERIES	BODY	ENGINE	TRANS	TRIM	DESCRIPTION
1									PANEL, Cowl
	55174 624AD	1	J						
	55174 625AD	1	U						
2									GRILLE, Cowl Panel
	55174 636AB	1	J						
	55174 637AC	1	U						
3									SCREW, [.164-15x1.21], (NOT SERVICED) (Not Serviced)
4	55037 422AC	1							SCREEN, Cowl
5	55174 640AC	1							WEATHERSTRIP, Hood to Cowl
6									NUT, Snap In
	6506 063AA	4	J						
		4	U						
7									NUT, Spring, .16-18
	0152 490	3	J						
		3	U						
8	55176 588AB	2							BRACKET, Dash Panel to Plenum
9									PANEL, Dash
	55174 645AD	1	U						
	#55174 644AF	1	J						
10	6100 048	1							NUT, Hex, M6x1.00
11	5517 6555	1							DRAIN, Heater and A/C
12	55176 566AE	1							WEATHERSTRIP, Windshield to Cowl
13									PANEL, Cowl Side
	5517 6092	1	J						Upper,Right
		1	U						Upper,Right
	5517 6093	1	J						Upper,Left
		1	U						Upper,Left
14									BRACKET, Module
	5517 6011	1	J						
	5517 6099	1	U						
15									REINFORCEMENT, Battery Tray
	55174 782AB	1							Right
	55174 783AB	1							Left
16	6100 583	6							BOLT AND CONED WASHER, Hex Head, M8x25x20
17									PANEL, Cowl Top, Serviced in Panel Body Side, (NOT SERVICED) (Not Serviced)
18	6504 649	4							CAP, Bolt Cover

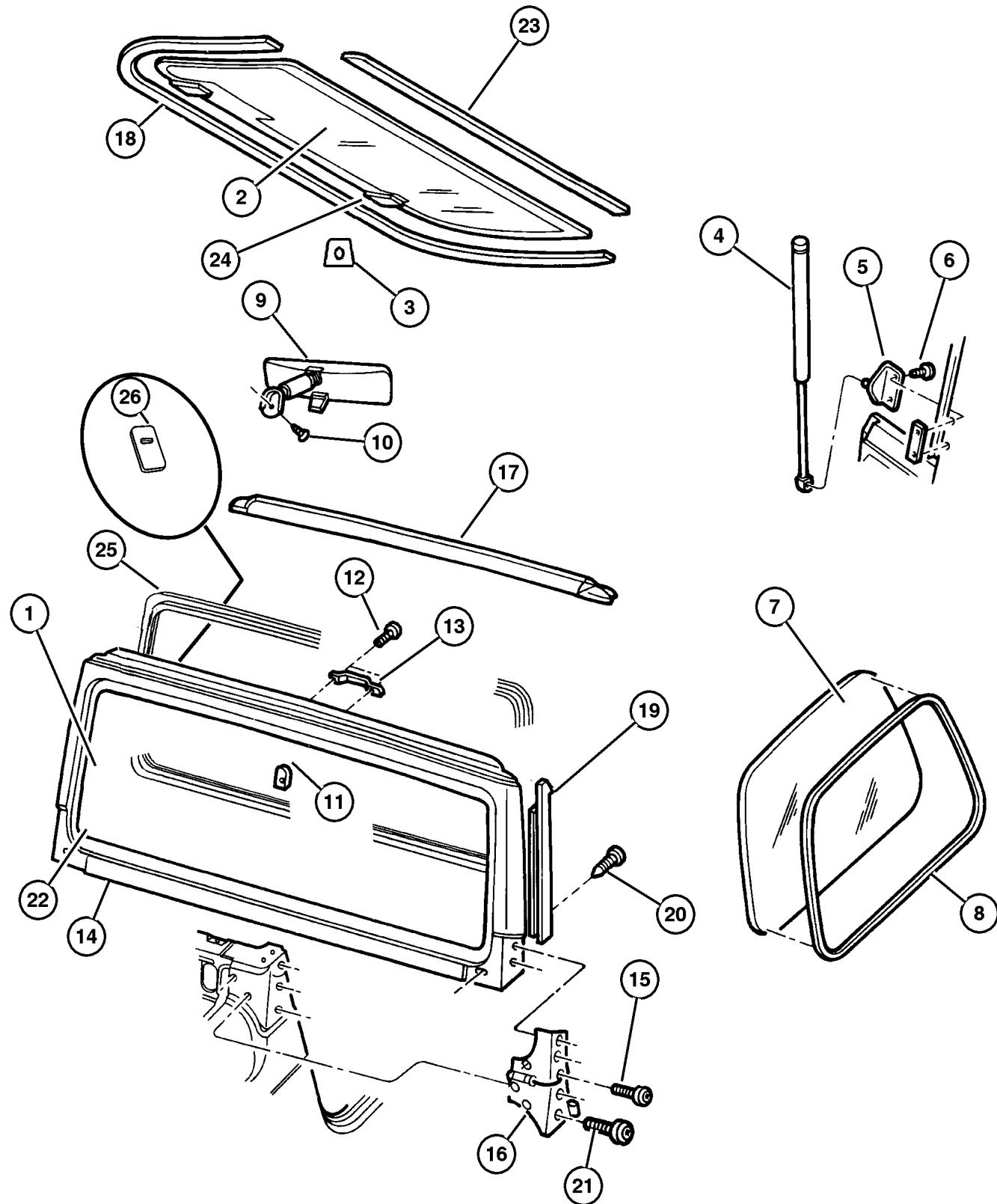
JEEP WRANGLER (TJ)

SERIES	LINE	BODY	ENGINE	TRANSMISSION
H = Sport	J = Wrangler 4WD	77 = 93.4 WB	EPE, EP0 = 2.5L Power Tech	DGG, DGD = 32RH 3 Spd. Auto.
L = SE	U = Wrangler 4WD (RHD)		ERH, ER0 = 4.0L Power Tech	DDQ = 5 Spd. Manual
M = X				DDD = 5 Speed HD Manual
P = Sahara				DG0 = Auto. Trans.
				DBB = Manual Trans.

AR = Use as required - = Non illustrated part # = New this model year

January 26, 2004

Glass, Windshield, Backlite, Quarter Windshield Frame, Hinges
Figure STJ-710



ITEM	PART NUMBER	QTY	LINE	SERIES	BODY	ENGINE	TRANS	TRIM	DESCRIPTION
1	55135 127AC	1							WINDSHIELD
2	4883 306	1							BACKLITE Tinted
	4883 306AB	1							Privacy
3									BRACKET, Ballstud
	4883 496AA	1							Right
	4883 497AA	1							Left
4	55076 310AB	2							PROP, Liftgate
5	55076 311AB	2							BALL STUD, Body Side
6									SCREW, M6x1.00x20.00, (NOT SERVICED) (Not Serviced)
7									GLASS, Quarter Window
	5517 6278	1							Tinted, Right
	5517 6279	1							Tinted, Left
	5517 6306	1							Privacy, Right
	5517 6307	1							Privacy, Left
8	5517 6577	2							MOLDING, Quarter Window
9	55156 172AA	1							MIRROR, Inside Rear View
10									SCREW, Pan Head, .164-32x.460, (NOT SERVICED) (Not Serviced)
11	5507 6401	1							BUTTON, Rear View Mirror
12									SCREW, .190-24x.500, (NOT SERVICED) (Not Serviced)
13	5501 3666	2							FOOTMAN LOOP, Hold Down
14	55174 607AD	1							PANEL, Windshield Frame
15	6035 898	2							SCREW AND WASHER, Truss Head, .312-18x1.12
16									HINGE, Door
	55075 702AF	1							Right
	55075 703AF	1							Left
17	55176 512AE	1							SEAL, Header Opening
18	55175 041AF	1							WEATHERSEAL, LIFTGATE
19									WEATHERSTRIP, Front Door
	55176 618AB	1							Right
	55176 619AB	1							Left
20	6035 369	6							SCREW, Piercing, .164-15x1.25
21	6035 757	8							SCREW
22	55176 567AC	1							MOLDING, Windshield Reveal
23	5517 5042	1							WEATHERSTRIP, Backlite
24									HINGE, Liftglass
	5013 722AA	1							Right
	5013 723AA	1							Left
25	55176 430AD	1							MOLDING, Windshield Garnish

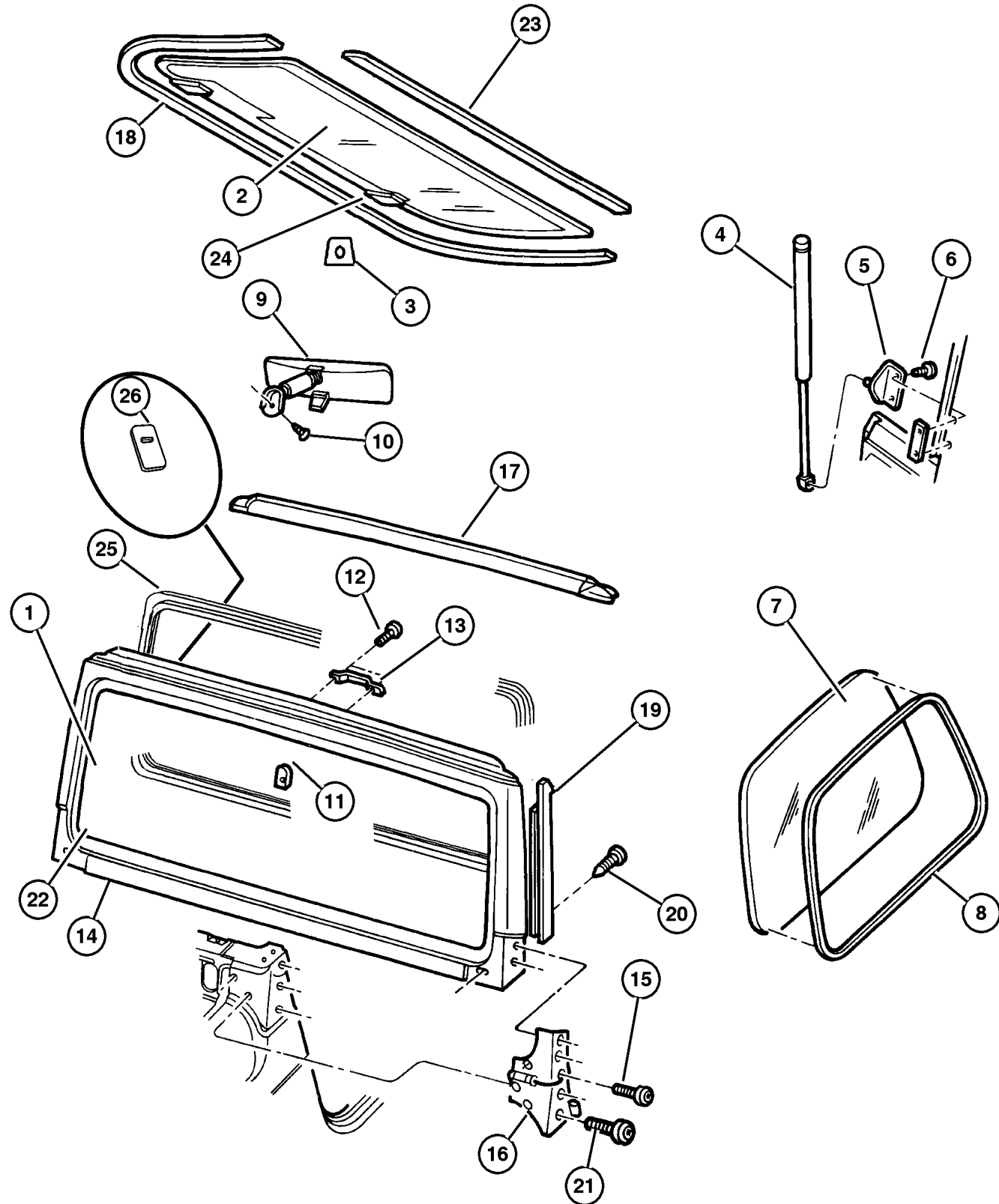
JEEP WRANGLER (TJ)

SERIES	LINE	BODY	ENGINE	TRANSMISSION
H = Sport	J = Wrangler 4WD	77 = 93.4 WB	EPE, EP0 = 2.5L Power Tech	DGG, DGD = 32RH 3 Spd. Auto.
L = SE	U = Wrangler 4WD (RHD)		ERH, ER0 = 4.0L Power Tech	DDQ = 5 Spd. Manual
M = X				DDD = 5 Speed HD Manual
P = Sahara				DG0 = Auto. Trans.
				DBB = Manual Trans.

AR = Use as required - = Non illustrated part # = New this model year

January 26, 2004

Glass, Windshield, Backlite, Quarter Windshield Frame, Hinges
Figure STJ-710



ITEM	PART NUMBER	QTY	LINE	SERIES	BODY	ENGINE	TRANS	TRIM	DESCRIPTION
26	5517 6421	2							TAPE, Anti Chip
-27	5500 9433	1							GASKET, Hinge To Glass, Backlite
-28	5500 9434	1							BUSHING, Hinge to Glass
-29	5500 9788	1							SEAL, Hinge To Glass
-30	J400 7384	1							NUT AND WASHER, Hex
-31	5501 9378	1							CAP, Hinge Cover
-32	5517 6464	1							GROMMET, Wiper Motor And Bracket

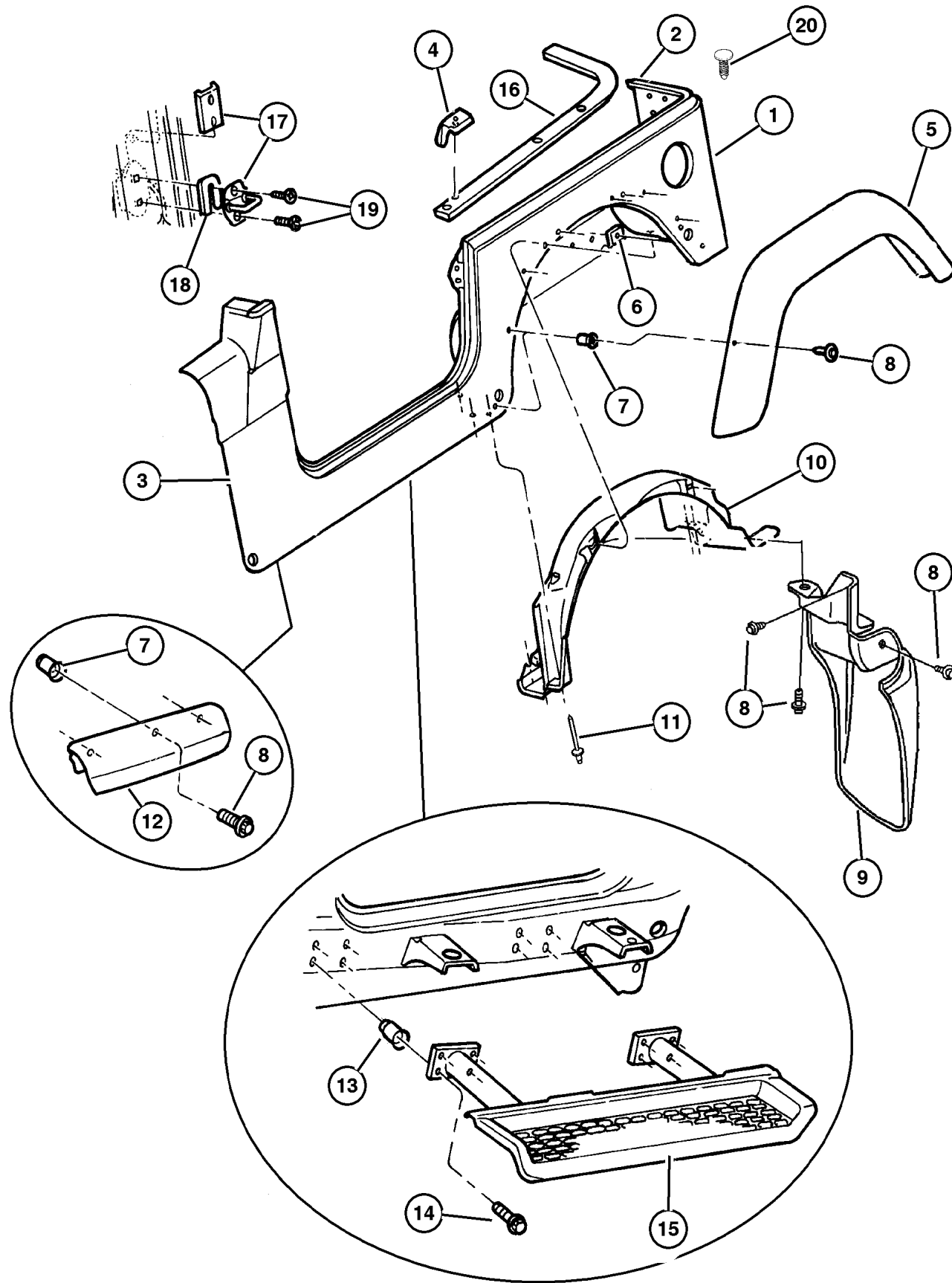
JEEP WRANGLER (TJ)			
SERIES	LINE	BODY	ENGINE
H = Sport	J = Wrangler 4WD	77 = 93.4 WB	EPE, EP0 = 2.5L Power Tech
L = SE	U = Wrangler 4WD (RHD)		ERH, ER0 = 4.0L Power Tech
M = X			
P = Sahara			

TRANSMISSION
DGG, DGD = 32RH 3 Spd. Auto.
DDQ = 5 Spd. Manual
DDD = 5 Speed HD Manual
DG0 = Auto. Trans.
DBB = Manual Trans.

AR = Use as required - = Non illustrated part # = New this model year

January 26, 2004

Panels, Body Side
Figure STJ-810



ITEM	PART NUMBER	QTY	LINE	SERIES	BODY	ENGINE	TRANS	TRIM	DESCRIPTION
Note: Sales Code [ABA] = Australia Equipment Group									
1	4874 196AD	1							PANEL, Body Side Right
	4874 197AD	1							Left
2									PANEL, Rear Corner
	5517 5664	1							Right
	5517 5665	1							Left
3	5517 5024	1							REINFORCEMENT, Side Panel
4									SEAL, Mucket
	55177 256AA	1							Right
	55177 257AA	1							Left
5									EXTENSION, Wheel House
	5517 5726	1							[K3], Right
	5DS75 SW1AC	1							[K5W], Left
	5DS75 WU7AC	1							[K5U], Left
	5DS75 XGRAC	1							[K5E], Left
	5517 5727	1							[K3], Left
	5DS74 DX8AC	1							[K5X], Right
	5DS74 DX9AC	1							[K5Z], Right
	5DS74 SW1AC	1							[K5W], Right
	5DS74 WU7AC	1							[K5U], Right
	5DS74 XGRAC	1							[K5E], Right
	5DS75 DX8AC	1							[K5X], Left
	5DS75 DX9AC	1							[K5Z], Left
6	J400 4868	10							NUT, Plastic
7	6504 601	6							NUT, Rivet Round, M5x0.80x11.09
8									SCREW AND WASHER, M5X. 80X20.00, (NOT SERVICED) (Not Serviced)
9									SHIELD, Splash
	55155 696AA	1							Right
	55155 697AA	1							Left
	55156 038AB	1							[ABA], Australia, Right
	55156 039AB	1							[ABA], Australia, Left
10									SHIELD, Splash, Liner, Rear Wheelhouse
	55155 632AB	1							Right
	55155 633AB	1							Left
11	6030 441	10							PIN, Retainer
12									EXTENSION, Fender
	5525 4928	1							[K3], Right
	5525 4929	1							[K3], Left
	5DV1 2DX9	1							[K5], Right

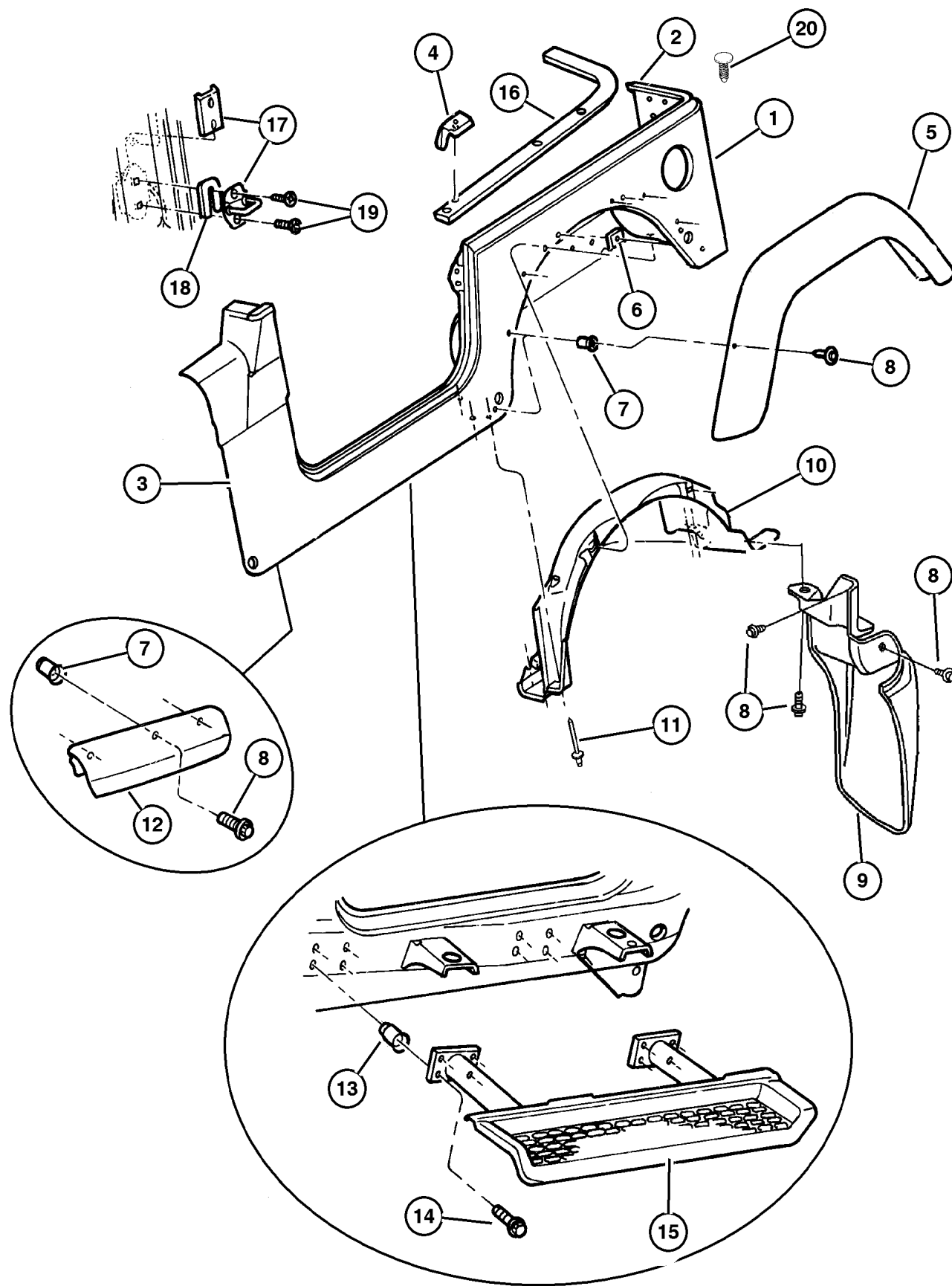
JEEP WRANGLER (TJ)

SERIES	LINE	BODY	ENGINE	TRANSMISSION
H = Sport	J = Wrangler 4WD	77 = 93.4 WB	EPE, EP0 = 2.5L Power Tech	DGG, DGD = 32RH 3 Spd. Auto.
L = SE	U = Wrangler 4WD (RHD)		ERH, ER0 = 4.0L Power Tech	DDQ = 5 Spd. Manual
M = X				DDD = 5 Speed HD Manual
P = Sahara				DG0 = Auto. Trans.
				DBB = Manual Trans.

AR = Use as required - = Non illustrated part # = New this model year

January 26, 2004

**Panels, Body Side
Figure STJ-810**



ITEM	PART NUMBER	QTY	LINE	SERIES	BODY	ENGINE	TRANS	TRIM	DESCRIPTION
	5DV1 3DX9	1							[K5], Left
13	6504 397	8							NUT, M8-1.25
14	6501 648	8							SCREW, Hex Flange Head, M8x1.25x25.00
15									STEP PAD, Side Step
	55156 200AB	1							Right
	55156 201AB	1							Left
16									RETAINER, Belt Rail
	55175 754AB	1							Right
	55175 755AB	1							Left
17	4780 259	2							STRIKER, Door
18									SPACER, Door Latch Striker
	4520 289	AR							
	5507 5483	AR							2.0/2.5 Thick
19	6503 120	4							SCREW AND WASHER, Button Head Torx, M8x1.25x39.50
20	6504 662	4							RETAINER, Push On

JEEP WRANGLER (TJ)

SERIES	LINE	BODY	ENGINE	TRANSMISSION
H = Sport	J = Wrangler 4WD	77 = 93.4 WB	EPE, EP0 = 2.5L Power Tech	DGG, DGD = 32RH 3 Spd. Auto.
L = SE	U = Wrangler 4WD (RHD)		ERH, ER0 = 4.0L Power Tech	DDQ = 5 Spd. Manual
M = X				DDD = 5 Speed HD Manual
P = Sahara				DG0 = Auto. Trans.
				DBB = Manual Trans.

AR = Use as required - = Non illustrated part # = New this model year

January 26, 2004

Soft Top And Windows Figure STJ-1110

ITEM	PART NUMBER	QTY	LINE	SERIES	BODY	ENGINE	TRANS	TRIM	DESCRIPTION
Note : Soft Top contains 2 zippers for tailgate window, 1 zipper for the right quarter window. The zipper for the left quarter window is serviced with the left quarter window.									
1	5HM35 SX9AA	1							COVER, Soft Top Black
	5HM35 VK9AA	1							Tan
2	5HM42 SX9AA	1							WINDOW, Half Door Soft Top Black, Right
	5HM42 VK9AA	1							Tan, Right
	5HM43 SX9AA	1							Black, Left
	5HM43 VK9AA	1							Tan, Left
3	#5HM40 SX9AB	1							WINDOW, Quarter Tinted, Black, Right
	#5HM40 VK9AB	1							Tinted, Tan, Right
	#5HM41 SX9AB	1							Tinted, Black, Left
	#5HM41 VK9AB	1							Tinted, Tan, Left
	#5HR24 SX9AB	1							Privacy, Black, Right
	#5HR24 VK9AB	1							Privacy, Tan, Right
	#5HR25 SX9AB	1							Privacy, Black, Left
	#5HR25 VK9AB	1							Privacy, Tan, Left
4	#5HM37 SX9AB	1							WINDOW, Tailgate Tinted, Black
	#5HM37 VK9AB	1							Tinted, Tan
	#5HR75 SX9AB	1							Privacy, Black
	#5HR75 VK9AB	1							Privacy, Tan
5	55175 858AG	1							FRAME, Door Glass Right
	55175 859AG	1							Left
6	55176 287AB	2							LATCH AND BASE, Folding Top
7	55176 442AD	1							BOW, Folding Top, Number 3
-8	4778 470	1							SNAP KIT, Soft Top
9	4874 281	1							BOW, Folding Top, Number 1, And Number 2, With Pivot, Includes Front Header
10	5517 6206	2							BUMPER, Rubber
11	5517 5802	1							BRACKET, Soft Top Bow 1 & 3 Right
	5517 5803	1							Left
12	6503 259	4							SCREW, Tapping, M6x1x20
13	6036 311AA	4							SCREW, Shoulder
14	5517 6198	4							PIN, Release Lever
15									SEAL, Door, Also Serviced in Frame Door Glass, (NOT SERVICED) (Not Serviced)

JEEP WRANGLER (TJ)

SERIES
H = Sport
L = SE
M = X
P = Sahara

LINE
J = Wrangler 4WD
U = Wrangler 4WD (RHD)

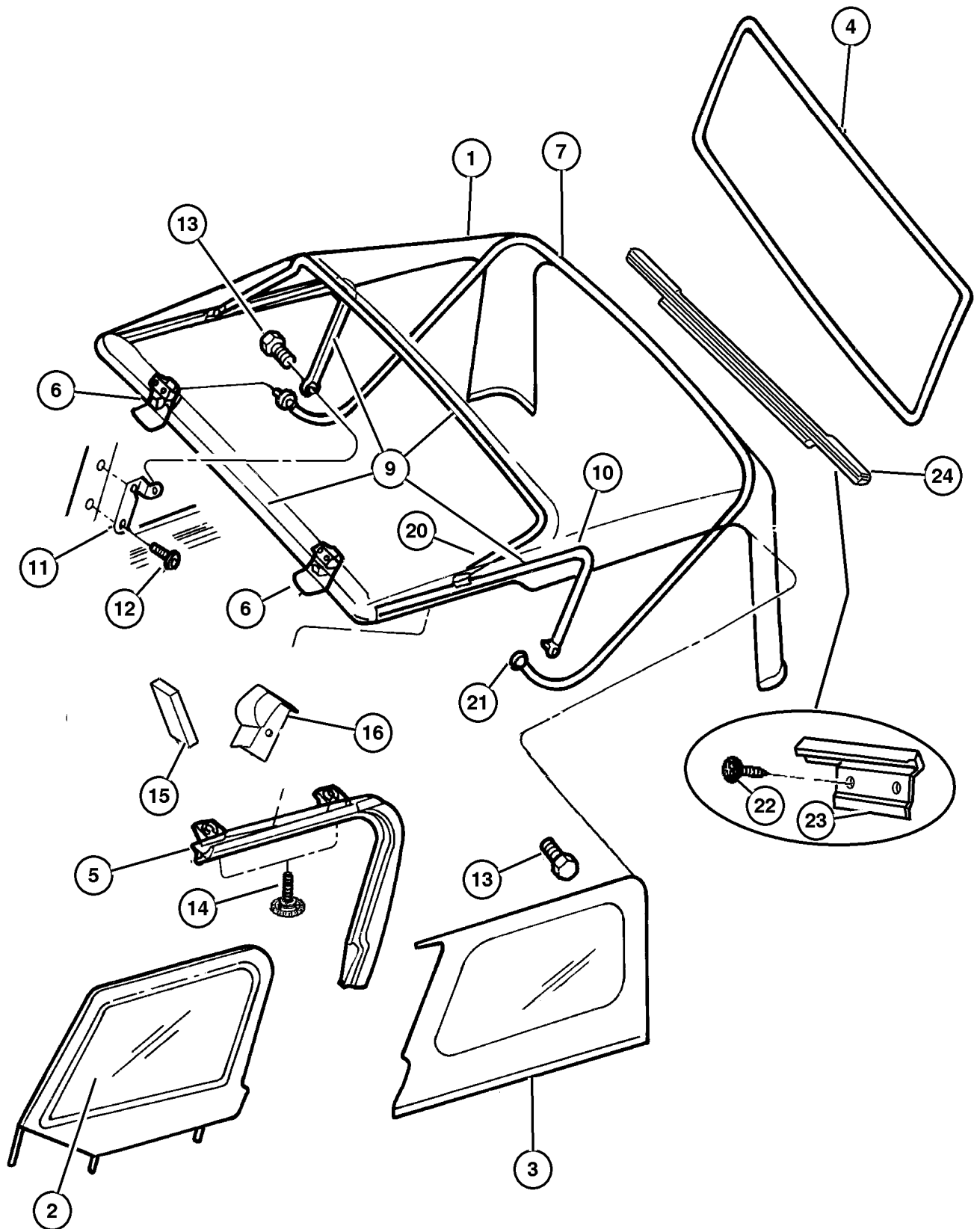
BODY
77 = 93.4 WB

ENGINE
EPE, EP0 = 2.5L Power Tech
ERH, ER0 = 4.0L Power Tech

TRANSMISSION
DGG, DGD = 32RH 3 Spd. Auto.
DDQ = 5 Spd. Manual
DDD = 5 Speed HD Manual
DG0 = Auto. Trans.
DBB = Manual Trans.

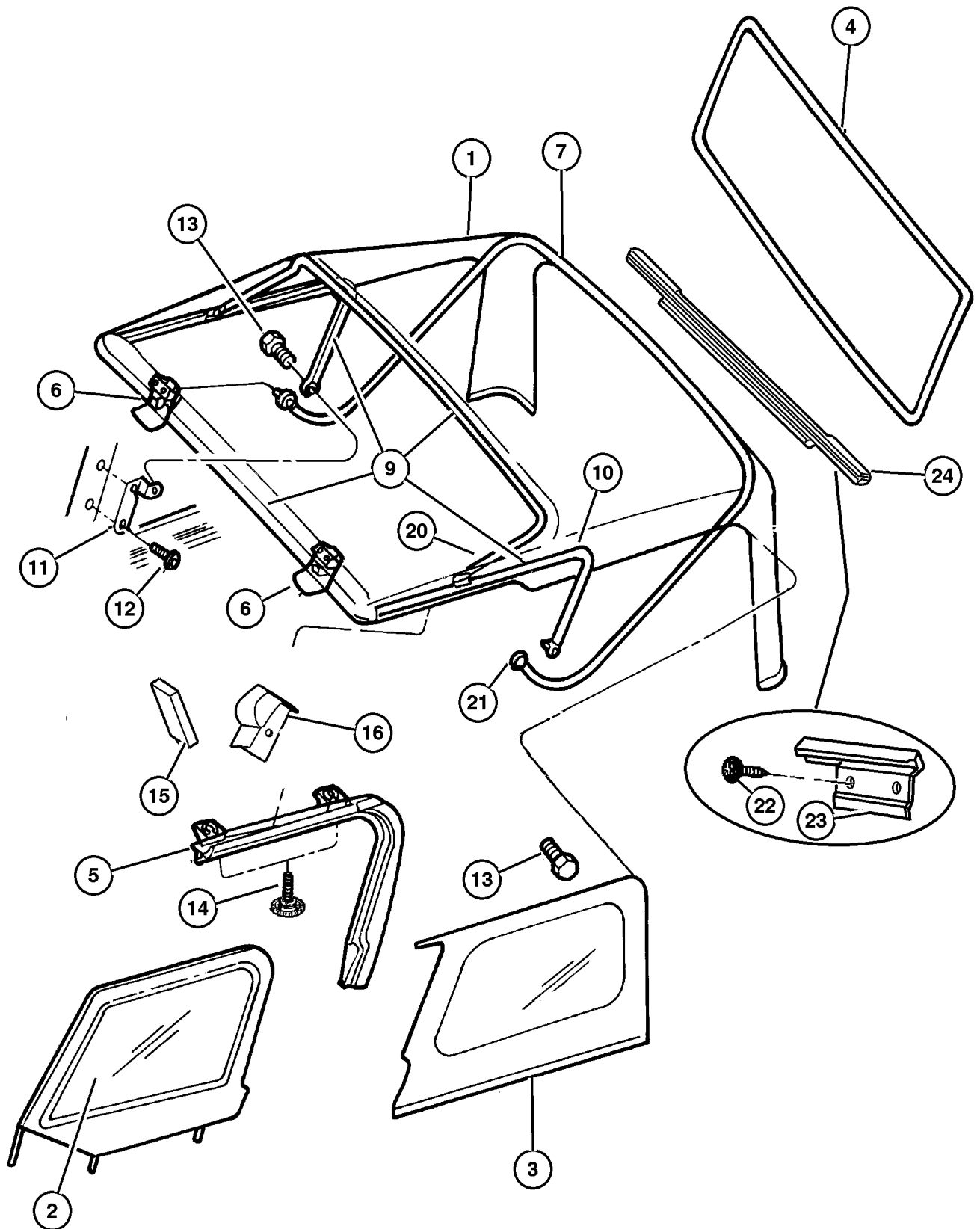
AR = Use as required - = Non illustrated part # = New this model year

January 26, 2004



Soft Top And Windows
Figure STJ-1110

ITEM	PART NUMBER	QTY	LINE	SERIES	BODY	ENGINE	TRANS	TRIM	DESCRIPTION
16									SEAL, Header Top And Side Rail
	55176 722AC	1							Right
	55176 723AC	1							Left
-17	5517 6444	2							STRAP, Retaining, 2 Bow to 3 Bow Connect, Replaces Webbing
									Includes Pan Head Washers
-18	4897 190AA	1							PULL STRAP KIT, Zipper
-19	5FZ85 BX7AB	1							BOOT, Folding Top
20	55175 813AB	2							KNUCKLE, Rear
21	55176 064AB	2							KNUCKLE, Rear
22									SCREW AND WASHER, [.164-18x.625], (NOT SERVICED) (Not Serviced)
23									CLIP, Tailgate Opening
	55176 738AA	1							Right
	55176 739AA	1							Left
24	55176 736AB	1							RETAINER, Soft Top Rail
-25	55177 245AB	1							TOOL, Wrench



JEEP WRANGLER (TJ)

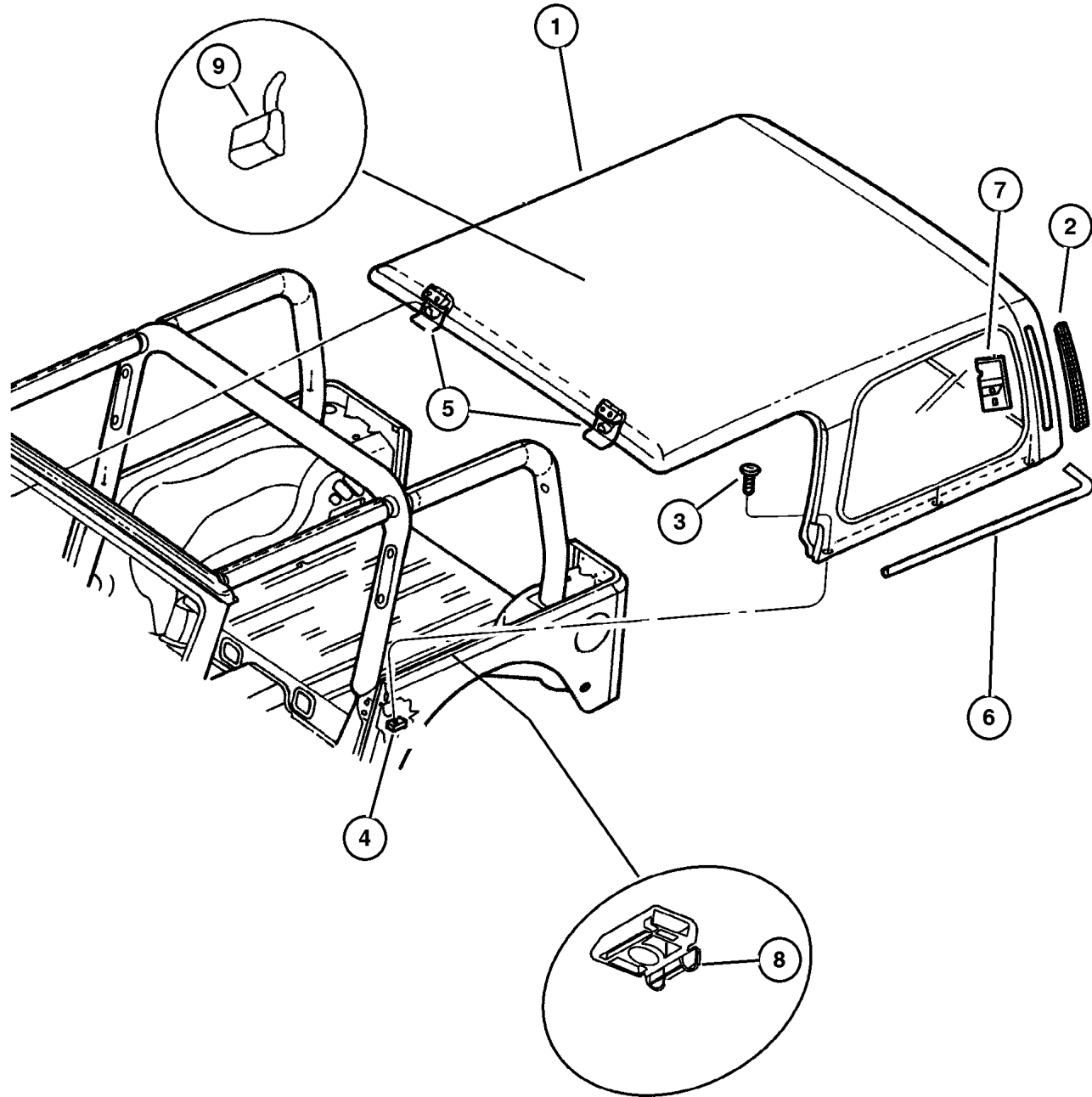
SERIES	LINE	BODY	ENGINE	TRANSMISSION
H = Sport	J = Wrangler 4WD	77 = 93.4 WB	EPE, EP0 = 2.5L Power Tech	DGG, DGD = 32RH 3 Spd. Auto.
L = SE	U = Wrangler 4WD (RHD)		ERH, ER0 = 4.0L Power Tech	DDQ = 5 Spd. Manual
M = X				DDD = 5 Speed HD Manual
P = Sahara				DG0 = Auto. Trans.
				DBB = Manual Trans.

AR = Use as required - = Non illustrated part # = New this model year

January 26, 2004

**Top Enclosure, Hard
Figure STJ-1120**

ITEM	PART NUMBER	QTY	LINE	SERIES	BODY	ENGINE	TRANS	TRIM	DESCRIPTION
1	5GN27 BX7AG	1							HARDTOP, Shell Only [VKX]
	5GN27 VK9AG	1							[VKT]
2	5503 6306	1							EXHAUSTER, Front Door Right
	5503 6307	1							Left
3	6506 826AA	6							SCREW
4	#6506 825AA	6							NUT
5	55175 816AB	2							LATCH AND BASE, Folding Top
6	55176 372AC	1							SEAL, Enclosure To Body Right
	55176 373AC	1							Left
7	5517 6190	1							COVER, Wiring Protector
8	#55176 746AC	4							RETAINER, Folding Top Deck Closure
9	55177 489AA	1							ISOLATOR, FOAM
-10	55177 245AB	1							TOOL, Wrench



JEEP WRANGLER (TJ)

SERIES
H = Sport
L = SE
M = X
P = Sahara

LINE
J = Wrangler 4WD
U = Wrangler 4WD (RHD)

BODY
77 = 93.4 WB

ENGINE
EPE, EP0 = 2.5L Power Tech
ERH, ER0 = 4.0L Power Tech

TRANSMISSION
DGG, DGD = 32RH 3 Spd. Auto.
DDQ = 5 Spd. Manual
DDD = 5 Speed HD Manual
DG0 = Auto. Trans.
DBB = Manual Trans.

Tailgate
Figure STJ-1310

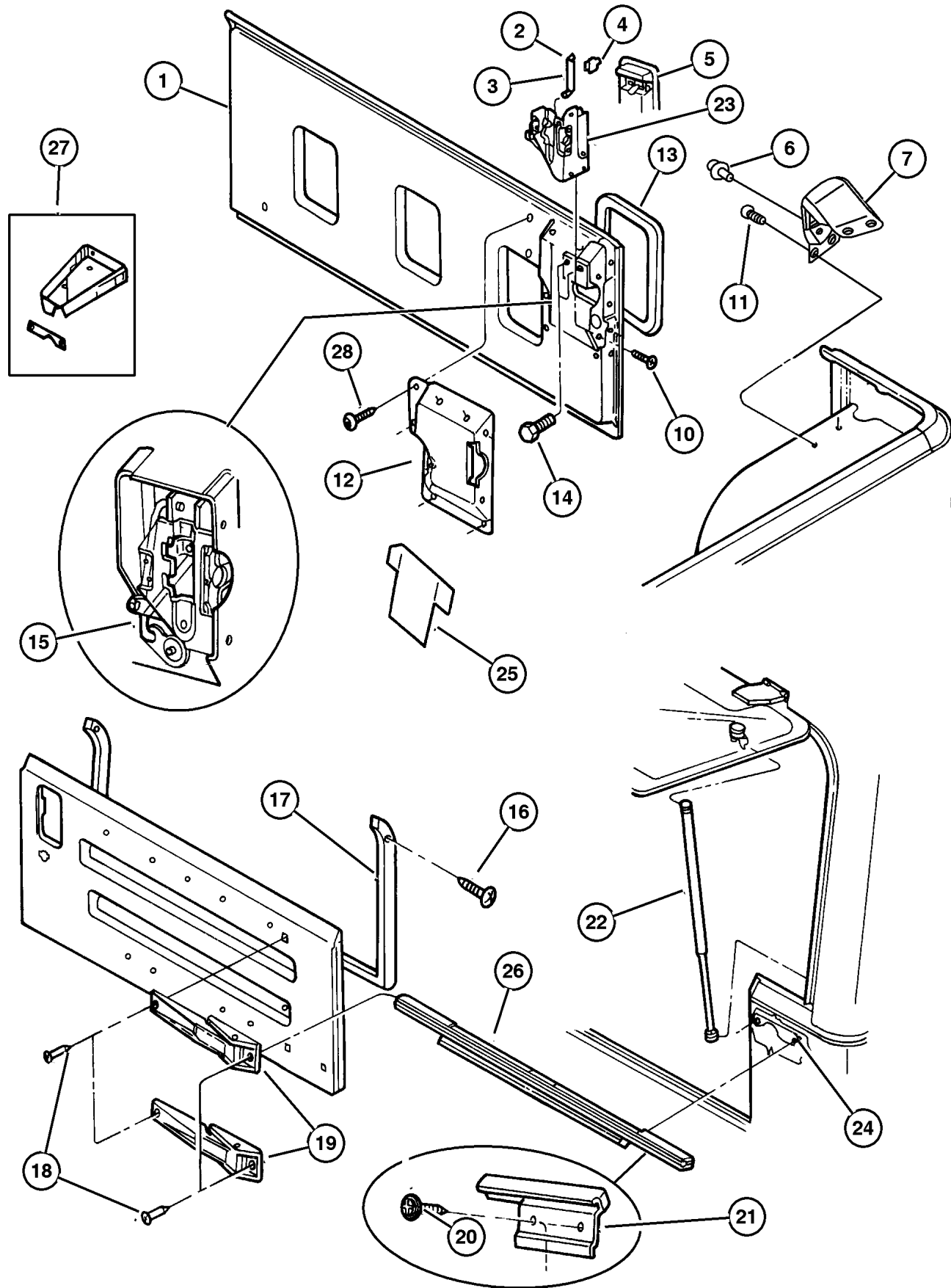
ITEM	PART NUMBER	QTY	LINE	SERIES	BODY	ENGINE	TRANS	TRIM	DESCRIPTION
Note: The painted lock cylinder cap on the 'up to' tailgate is smaller and measures 27 1/4 mm. The after condition lock cylinder cap is larger and measures 31 1/4 mm.									
1	55176 340AD	1							TAILGATE, See Note Up to 5/29/01
	#55176 340AE	1							After 5/29/01
2	55008 127AB	1							ROD, Tailgate Handle to Latch
3									SLEEVE, Anti-Rattle, Handle to Latch Rod, (NOT SERVICED) (Not Serviced)
4	4658 677	1							CLIP, Latch Link
5	55176 547AB	1							HANDLE, Liftgate
6	55177 243AB	1							PIN, Latch Striker
7	55176 450AD	1							BRACKET, Tailgate Striker
-8	J400 6303	2							RIVET, Dome Head Blind, .125x.275, Serviced in Bracket
-9	5500 1286	1							PLATE, Door Lock Striker, Serviced in Bracket
10	J400 7536	2							SCREW AND WASHER, Tapping, .312-18x.120
11	6505 070AA	4							SCREW, Pan Head
12	55176 533AC	1							COVER, Tailgate Latch
13	J374 3608	1							SEAL, Handle, Outside Door Handle
14	6034 980	2							SCREW, Pan Head, .19-24x.437
15	5507 6011	1							LINK, Key Cylinder To Latch
16									SCREW, .164-18x.625, (NOT SERVICED) (Not Serviced)
17	55175 043AE	1							WEATHERSEAL, Tailgate
18	6035 493	8							SCREW
19	5507 5567	2							HINGE, Tailgate
20									SCREW AND WASHER, [.164-18x.625], (NOT SERVICED) (Not Serviced)
21									CLIP, Tailgate Opening
	55176 738AA	1							Right
	55176 739AA	1							Left
22	55076 310AB	2							PROP, Liftgate
23	55074 947AC	1							LATCH, Tailgate
24	5517 6615	2							PLATE, Tailgate Latch
25	5502 5280	1							WATERSHIELD, Tailgate Latch
26	55176 736AB	1							RETAINER, Soft Top Rail
27	5517 5668	1							REINFORCEMENT, Tailgate Hinge
28	6505 167AA	7							SCREW, Pan Head, M6x1x16

JEEP WRANGLER (TJ)

SERIES	LINE	BODY	ENGINE	TRANSMISSION
H = Sport	J = Wrangler 4WD	77 = 93.4 WB	EPE, EP0 = 2.5L Power Tech	DGG, DGD = 32RH 3 Spd. Auto.
L = SE	U = Wrangler 4WD (RHD)		ERH, ER0 = 4.0L Power Tech	DDQ = 5 Spd. Manual
M = X				DDD = 5 Speed HD Manual
P = Sahara				DG0 = Auto. Trans.
				DBB = Manual Trans.

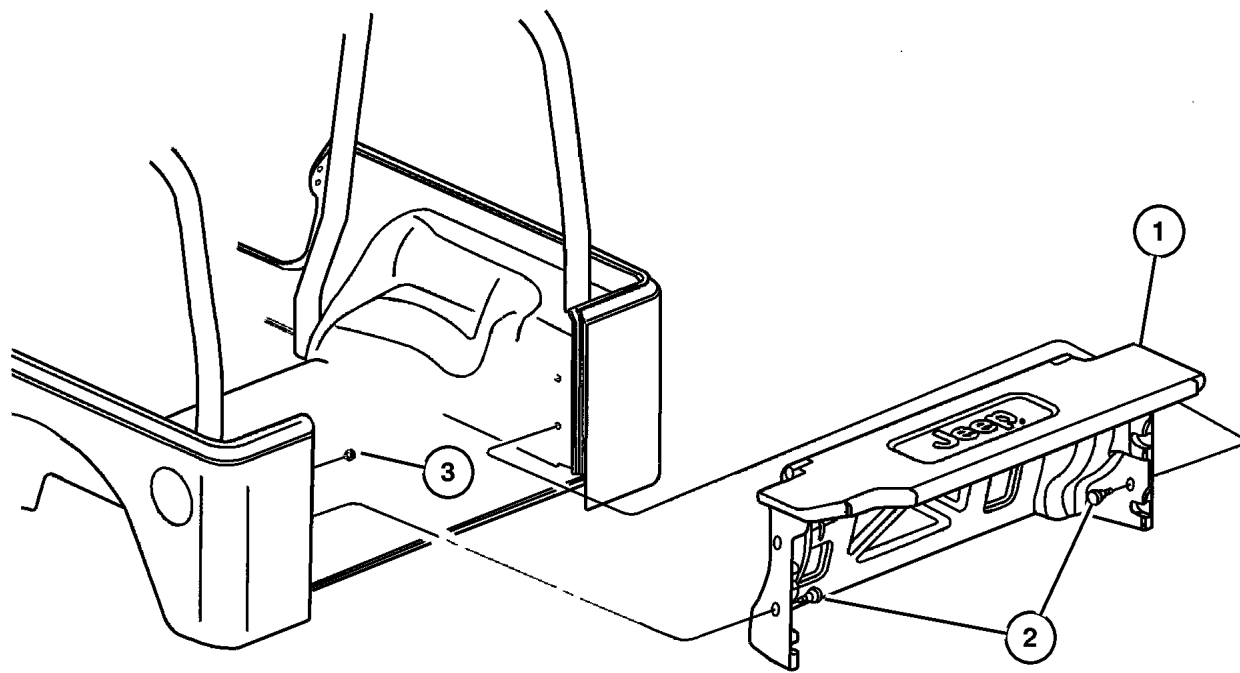
AR = Use as required - = Non illustrated part # = New this model year

January 26, 2004



**Add-a-Trunk
Figure STJ-1320**

ITEM	PART NUMBER	QTY	LINE	SERIES	BODY	ENGINE	TRANS	TRIM	DESCRIPTION
1									PANEL, Add A Trunk
	5GY84 1AZAC	1							[AZ]
	5GY84 1K5AC	1							[KG, K5]
2	55352 813AA	4							KNOB
3									PLUG, (NOT SERVICED) (Not Serviced)

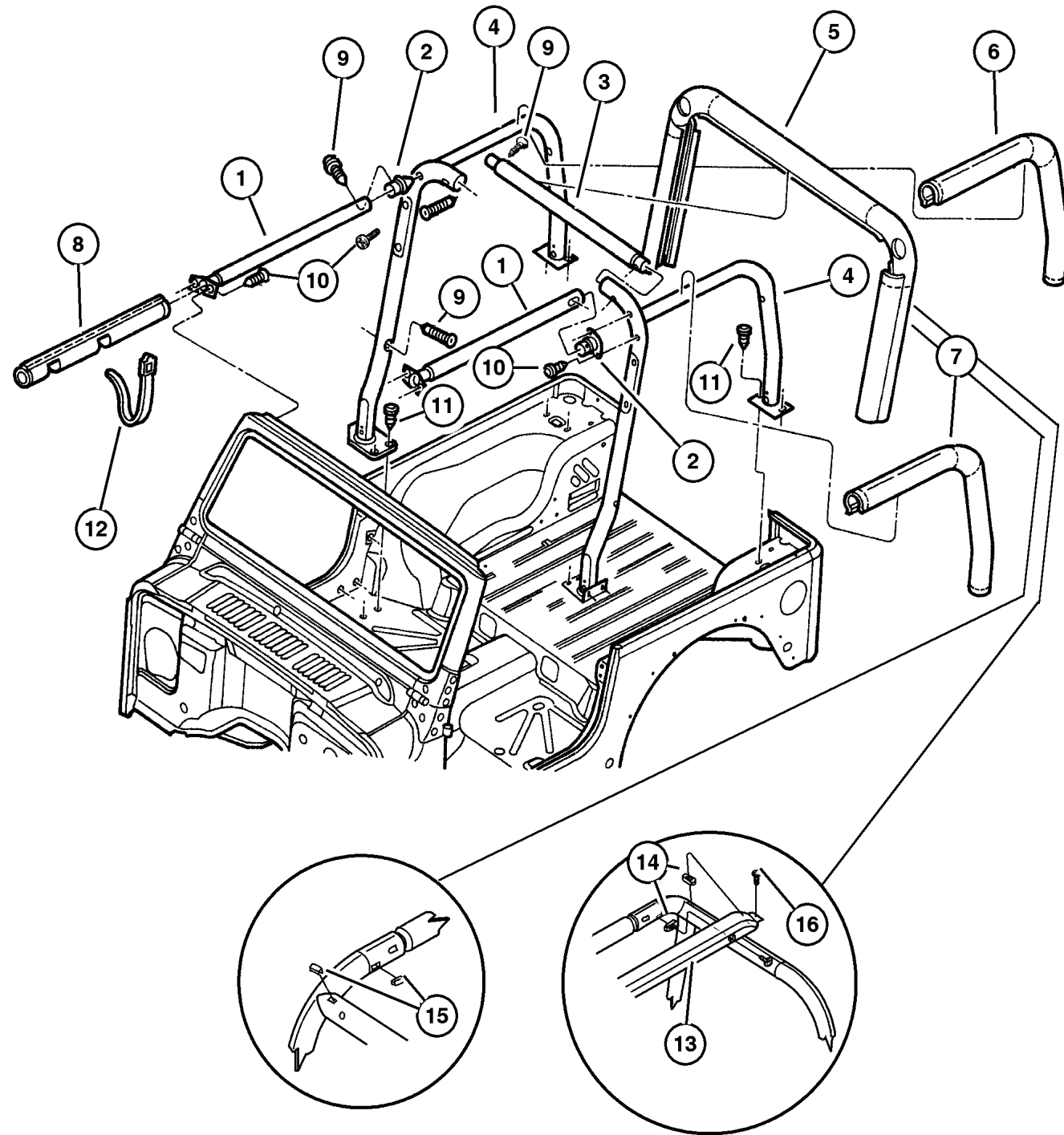


JEEP WRANGLER (TJ)				
SERIES	LINE	BODY	ENGINE	TRANSMISSION
H = Sport	J = Wrangler 4WD	77 = 93.4 WB	EPE, EP0 = 2.5L Power Tech	DGG, DGD = 32RH 3 Spd. Auto.
L = SE	U = Wrangler 4WD (RHD)		ERH, ER0 = 4.0L Power Tech	DDQ = 5 Spd. Manual
M = X				DDD = 5 Speed HD Manual
P = Sahara				DG0 = Auto. Trans.
				DBB = Manual Trans.

AR = Use as required - = Non illustrated part # = New this model year

January 26, 2004

**Sport Bar Wrangler
Figure STJ-1610**



ITEM	PART NUMBER	QTY	LINE	SERIES	BODY	ENGINE	TRANS	TRIM	DESCRIPTION
1									SIDE BAR, Sport Bar
	55176 504AD	1							Right
	55176 505AD	1							Left
2									BRACKET, Side
	55176 506AB	1							Right
	55176 507AB	1							Left
3	5517 6022	1							BAR, Sport, Center
4									BAR, Sport
	5517 6488	1							Right
	5517 6489	1							Left
5									PAD, Sport Bar, Center
	5FU79 LAZAF	1							[AZ, K5]
	5FU79 RK5AE	1							[KG]
6									PAD, Sport Bar, Right
	5FU81 LAZAC	1		J					[AZ, K5], Without Speakers
	5FV08 LAZAC	1							[AZ, K5], With Speakers
	5FV08 RK5AC	1							[KG], With Speakers
7									PAD, Sport Bar, Left
	5FU83 LAZAC	1		J					[AZ, K5], Without Speakers
	5FV09 LAZAC	1							[AZ, K5], With Speakers
	5FV09 RK5AC	1							[KG], With Speakers
8									COVER, Side Bar
	5EH5 9RK5	2							[KG]
	5EH5 9TAZ	2							[AZ, K5]
9	6035 970AA	2							SCREW, Pan Head
10	6504 050	4							SCREW, M8x1.25x25
11	6035 935AA	12							SCREW AND WASHER
12	5501 5916	5							STRAP, Side Bar Hold Down
13	5FC98 LAZAB	1							SHIELD, Sport Bar
14	6035 912	4							NUT, Snap In, .164-18
15	6504 665	4							PLUG, Push Lock
16									SCREW, .164-18x1.00, (NOT SERVICED) (Not Serviced)

JEEP WRANGLER (TJ)

SERIES	LINE	BODY	ENGINE	TRANSMISSION
H = Sport	J = Wrangler 4WD	77 = 93.4 WB	EPE, EP0 = 2.5L Power Tech	DGG, DGD = 32RH 3 Spd. Auto.
L = SE	U = Wrangler 4WD (RHD)		ERH, ER0 = 4.0L Power Tech	DDQ = 5 Spd. Manual
M = X				DDD = 5 Speed HD Manual
P = Sahara				DG0 = Auto. Trans.
				DBB = Manual Trans.

AR = Use as required - = Non illustrated part # = New this model year

January 26, 2004